



US00D372014S

**United States Patent** [19]  
**McMiller**

[11] **Patent Number: Des. 372,014**

[45] **Date of Patent: \*\*Jul. 23, 1996**

[54] **WEATHER PROTECTION SHIELD**

*Attorney, Agent, or Firm*—Robert A. Spray

[76] **Inventor: Norman McMiller, 4024 N. DeQuincy St., Indianapolis, Ind. 46226**

[57] **CLAIM**

[\*\*] **Term: 14 Years**

The ornamental design for weather protection shield, as shown and described.

[21] **Appl. No.: 32,599**

**DESCRIPTION**

[22] **Filed: Dec. 21, 1994**

[52] **U.S. Cl. .... D12/401**

[58] **Field of Search .... D12/400, 401, D12/182; 160/370.21, 84.1, 107**

FIG. 1 is a front elevation view thereof;  
FIG. 2 is an elevation view of the end the opposite end is identical thereto;  
FIG. 3 is a top view the bottom view is identical thereto;  
FIG. 4 is an isometric view thereof;  
FIG. 5 is a front elevation view thereof;  
FIG. 6 is an elevation view of the end the opposite end is identical thereto;  
FIG. 7 is a top view the bottom view is identical thereto; and,  
FIG. 8 is an isometric view thereof.

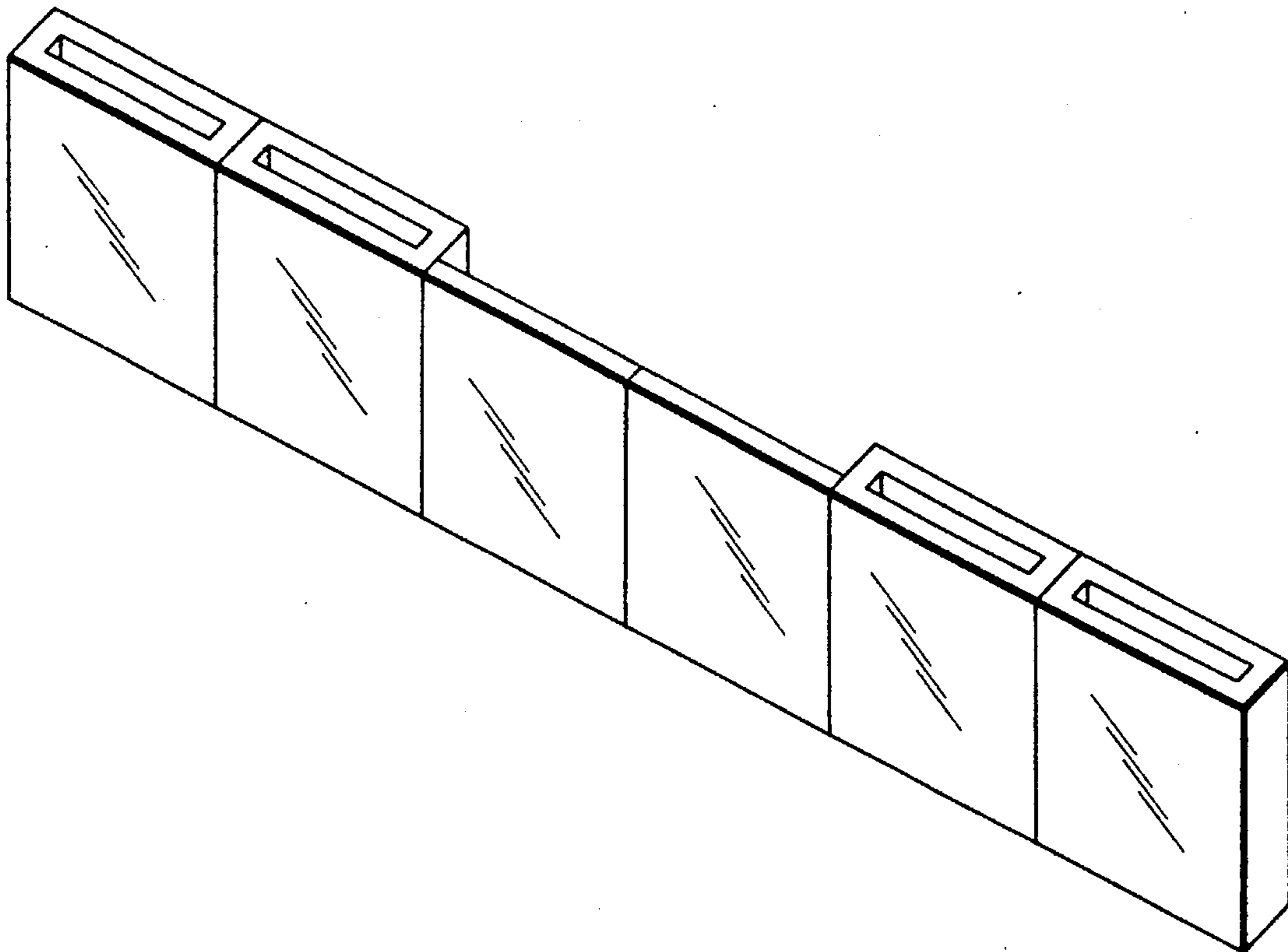
[56] **References Cited**

**U.S. PATENT DOCUMENTS**

|            |         |      |       |            |
|------------|---------|------|-------|------------|
| D. 348,242 | 6/1994  | Tsao | ..... | D12/401    |
| 4,202,396  | 5/1980  | Leng | ..... | 160/84.01  |
| 5,267,599  | 12/1993 | Kim  | ..... | 160/370.21 |

*Primary Examiner*—Doris Clark

**1 Claim, 2 Drawing Sheets**



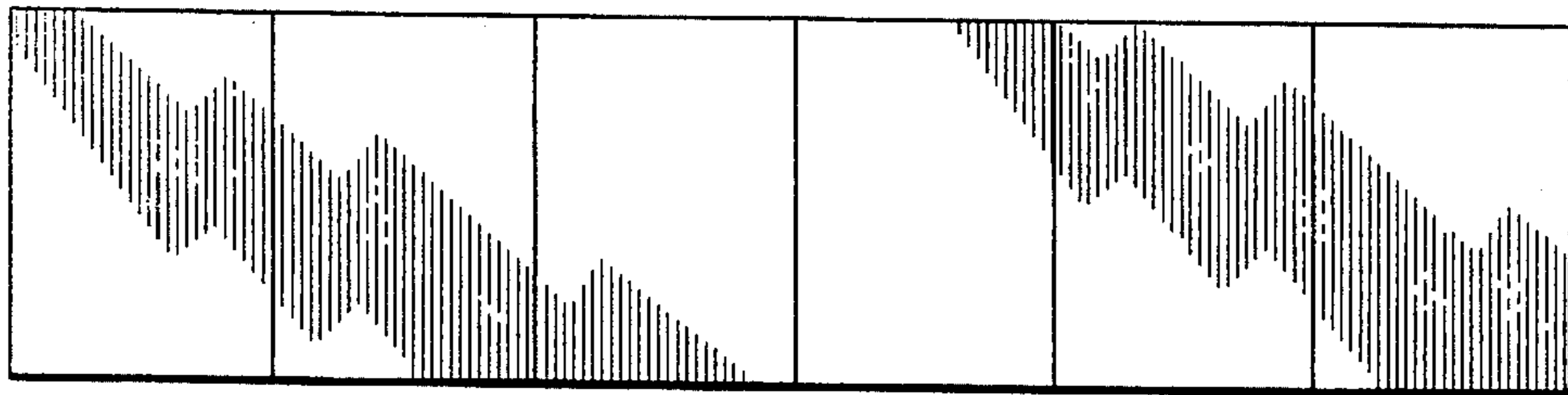


Fig. 1

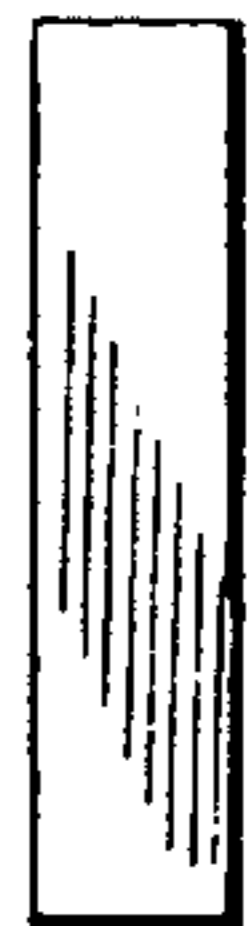


Fig. 2



Fig. 3

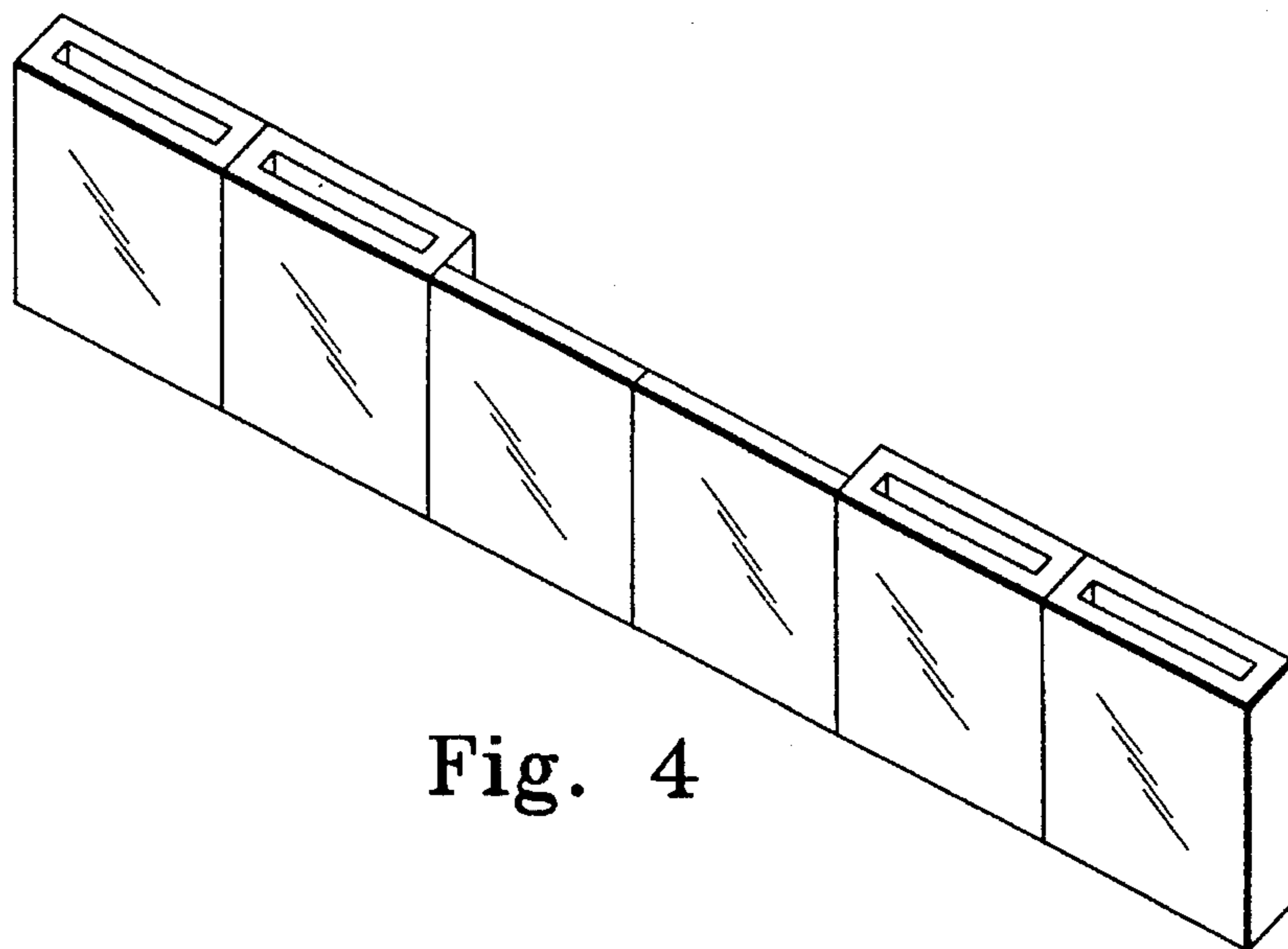


Fig. 4

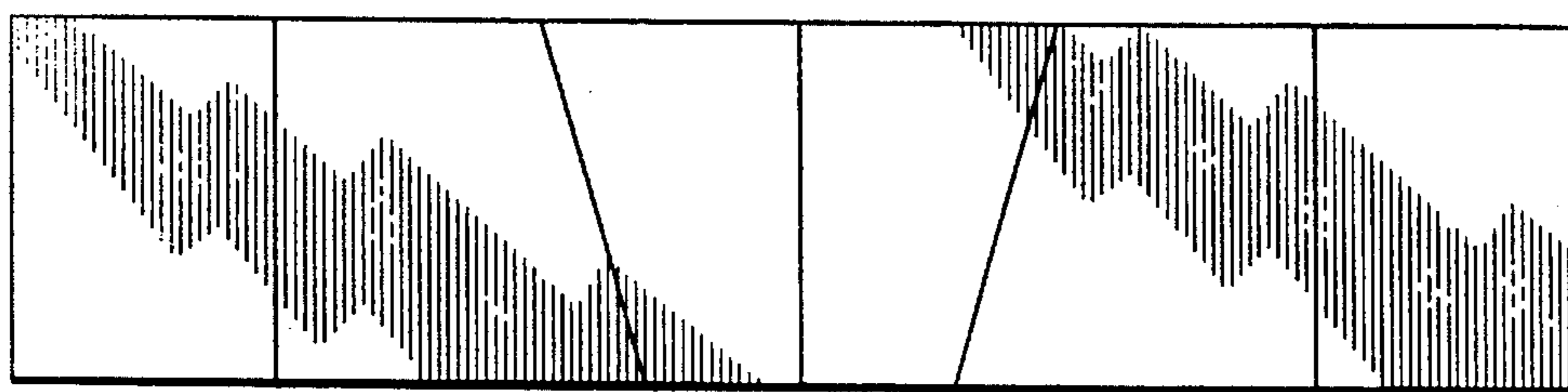


Fig. 5



Fig. 6



Fig. 7

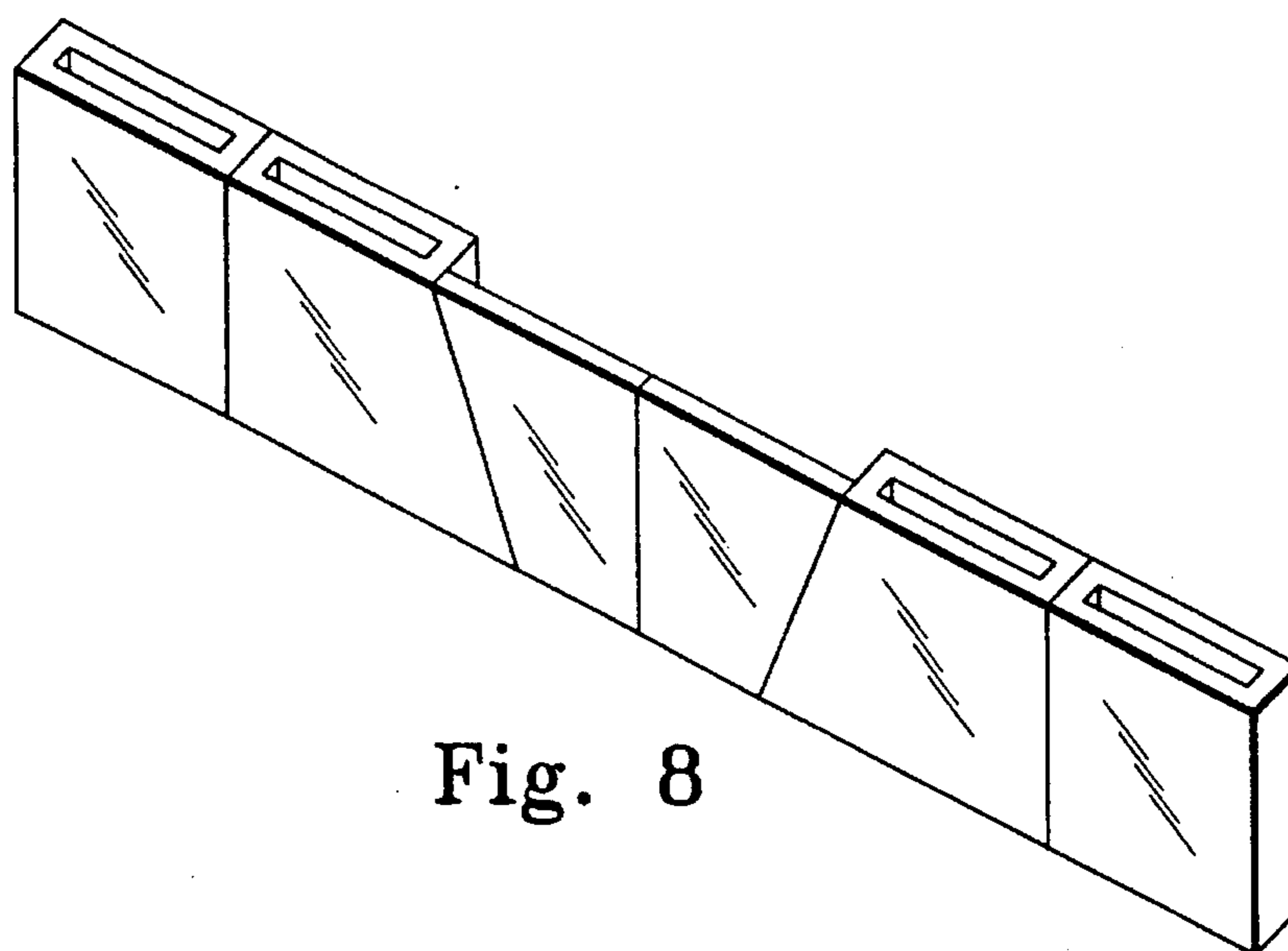


Fig. 8