



US00D372008S

**United States Patent** [19]  
**van der Meer**

[11] **Patent Number:** **Des. 372,008**

[45] **Date of Patent:** **\*\*Jul. 23, 1996**

[54] **TIRE TREAD**

D. 362,213 9/1995 McKisson ..... D12/146

[75] **Inventor:** Alex van der Meer, Schieren,  
Luxembourg

**OTHER PUBLICATIONS**

1994 Tread Design Guide, p. 28, B F Goodrich Momenta  
S/E Tire & Premier IV Tire, bottom of page.

[73] **Assignee:** The Goodyear Tire & Rubber  
Company, Akron, Ohio

*Primary Examiner*—James M. Gandy  
*Attorney, Agent, or Firm*—T. P. Lewandowski

[\*\*] **Term:** 14 Years

[57] **CLAIM**

[21] **Appl. No.:** 35,222

The ornamental design for a tire tread, as shown and  
described.

[22] **Filed:** Feb. 15, 1995

[52] **U.S. Cl.** ..... D12/147

**DESCRIPTION**

[58] **Field of Search** ..... D12/146-148;  
152/209 R, 209 B, 209 D

FIG. 1 is a perspective view of a tire tread;  
FIG. 2 is a front elevational view thereof;  
FIG. 3 is a side elevational view thereof; and,  
FIG. 4 is an enlarged fragmentary front view thereof.

[56] **References Cited**

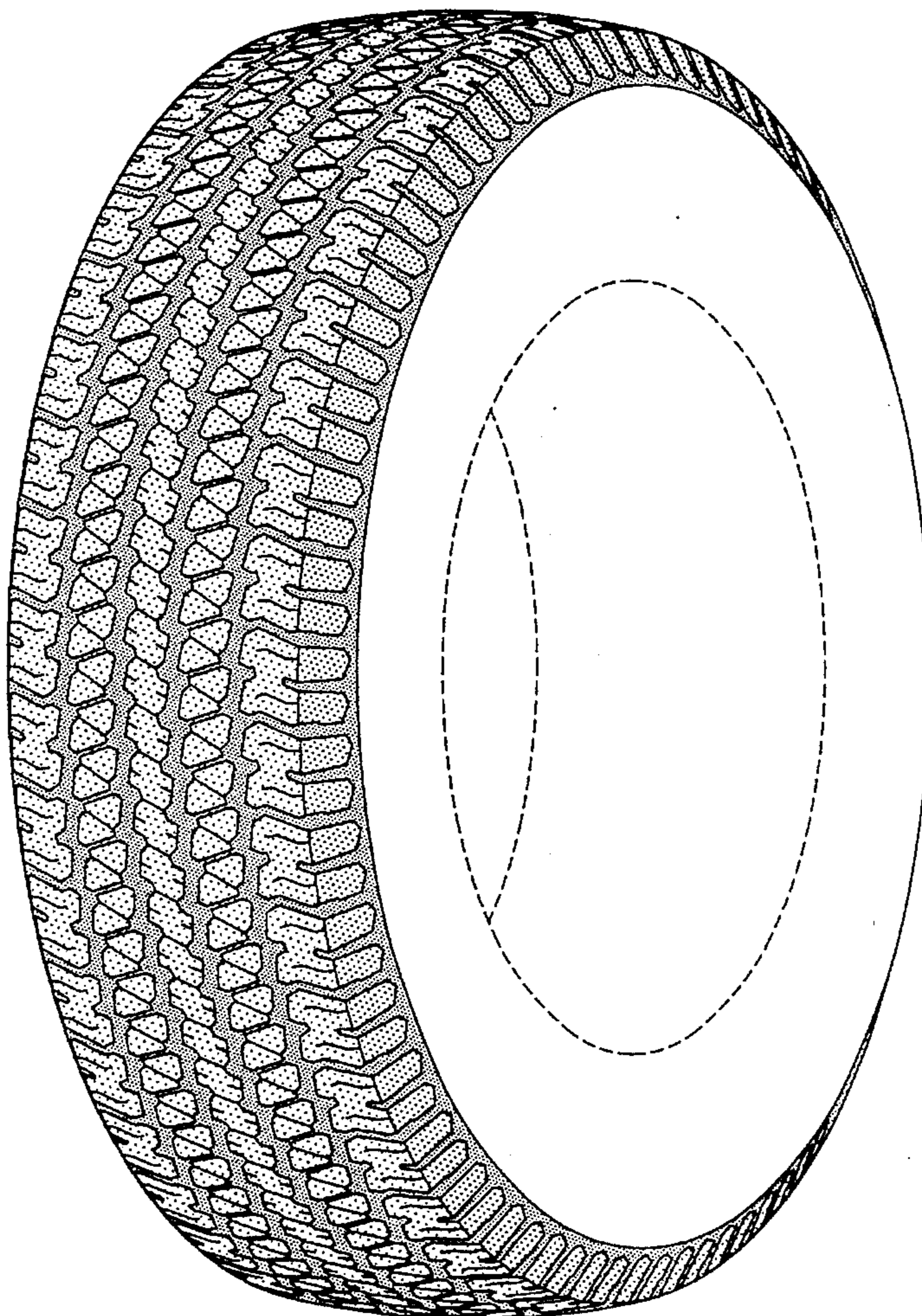
**U.S. PATENT DOCUMENTS**

D. 299,328	1/1989	Lyle et al. ....	D12/146
D. 320,966	10/1991	Miller et al. ....	D12/147
D. 338,179	8/1993	Miller et al. ....	D12/147
D. 350,096	8/1994	Brightwell et al. ....	D12/147
D. 350,719	9/1994	Graas et al. ....	D12/147
D. 351,369	10/1994	Hitzky et al. ....	D12/147
D. 362,212	9/1995	McKisson ....	D12/146

The tread pattern is understood to be repeated uniformly  
throughout the circumference of the tire tread.

In the drawings, the broken line showing of the tire sidewall  
and the solid line defining the peripheral boundary between  
the tire tread and the sidewall are for illustrative purposes  
only and form no part of the claimed design.

**1 Claim, 4 Drawing Sheets**



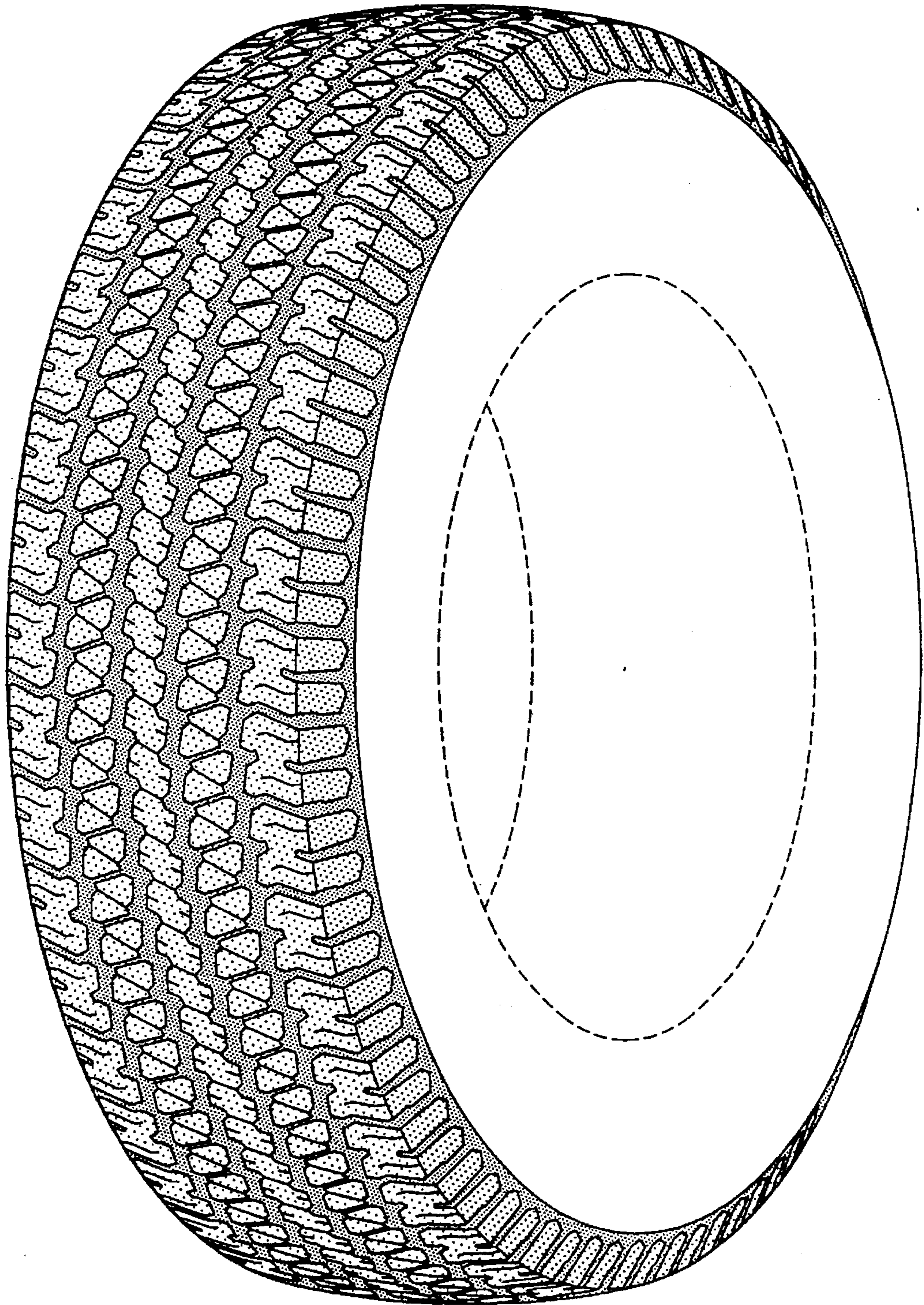


FIG-1

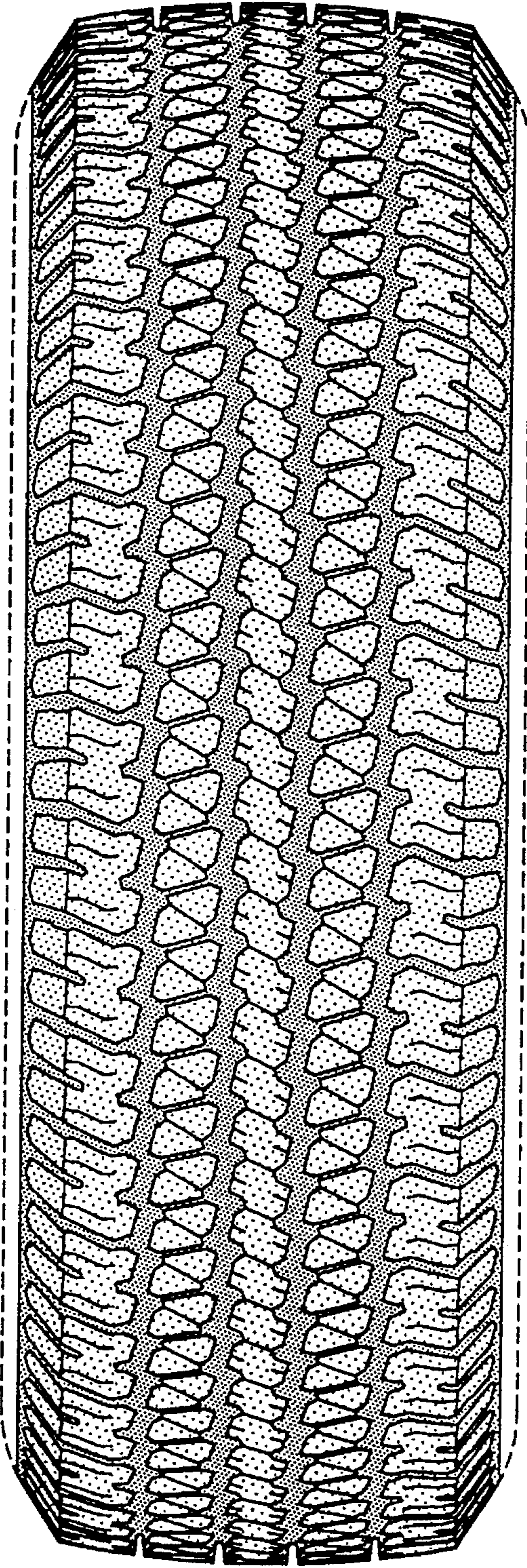


FIG-2

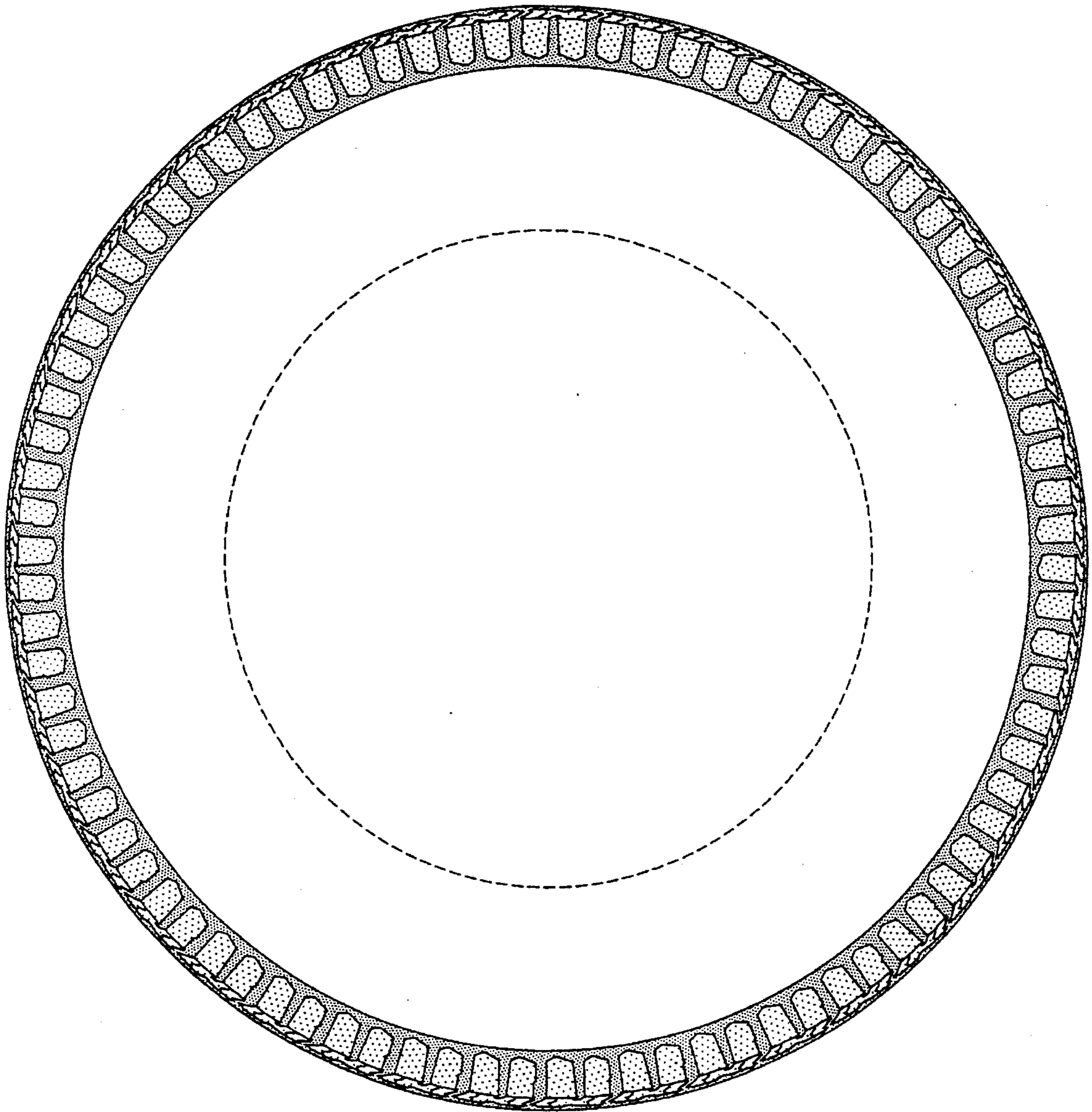


FIG-3

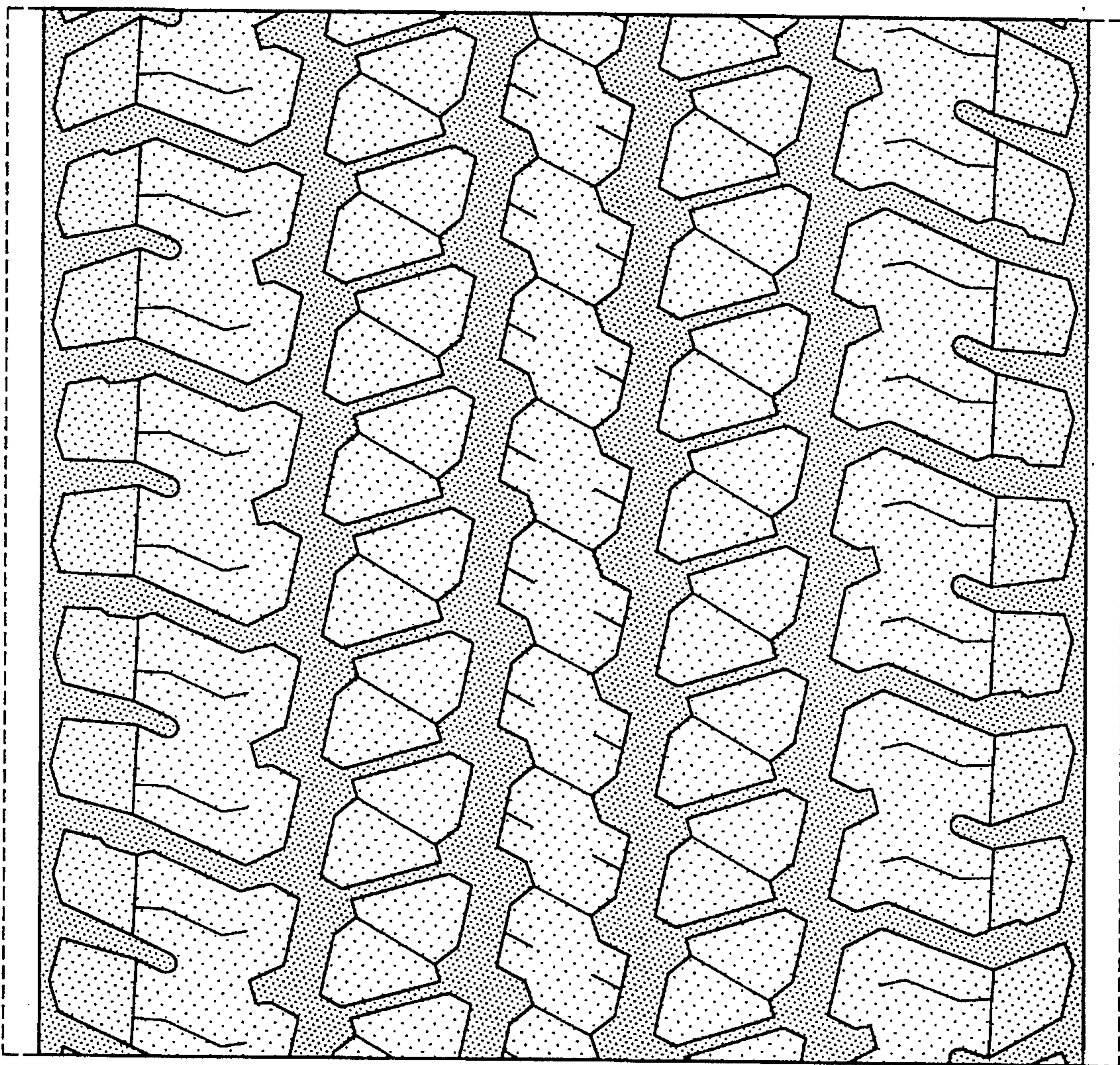


FIG-4