



US00D372007S

United States Patent [19]
van der Meer et al.

[11] **Patent Number:** **Des. 372,007**
[45] **Date of Patent:** ****Jul. 23, 1996**

[54] **TIRE TREAD**

D. 350,096 8/1994 Brightwell et al. D12/147
D. 362,213 9/1995 McKisson D12/146

[75] Inventors: **Alex van der Meer**, Schieren,
Luxembourg; **Claude Lardo**, Walzing,
Belgium

Primary Examiner—James M. Gandy
Attorney, Agent, or Firm—T. P. Lewandowski

[73] Assignee: **The Goodyear Tire & Rubber
Company**, Akron, Ohio

[57] **CLAIM**

[**] Term: **14 Years**

The ornamental design for a tire tread, as shown and described.

[21] Appl. No.: **36,051**

DESCRIPTION

[22] Filed: **Mar. 13, 1995**

FIG. 1 is a perspective view of a tire tread;
FIG. 2 is a front elevational view thereof;
FIG. 3 is a side elevational view thereof; and,
FIG. 4 is an enlarged fragmentary front view thereof.

[52] U.S. Cl. **D12/146**

[58] Field of Search D12/146-148;
152/209 R, 209 B, 209 D

The tread pattern is understood to be repeated uniformly throughout the circumference of the tire tread.

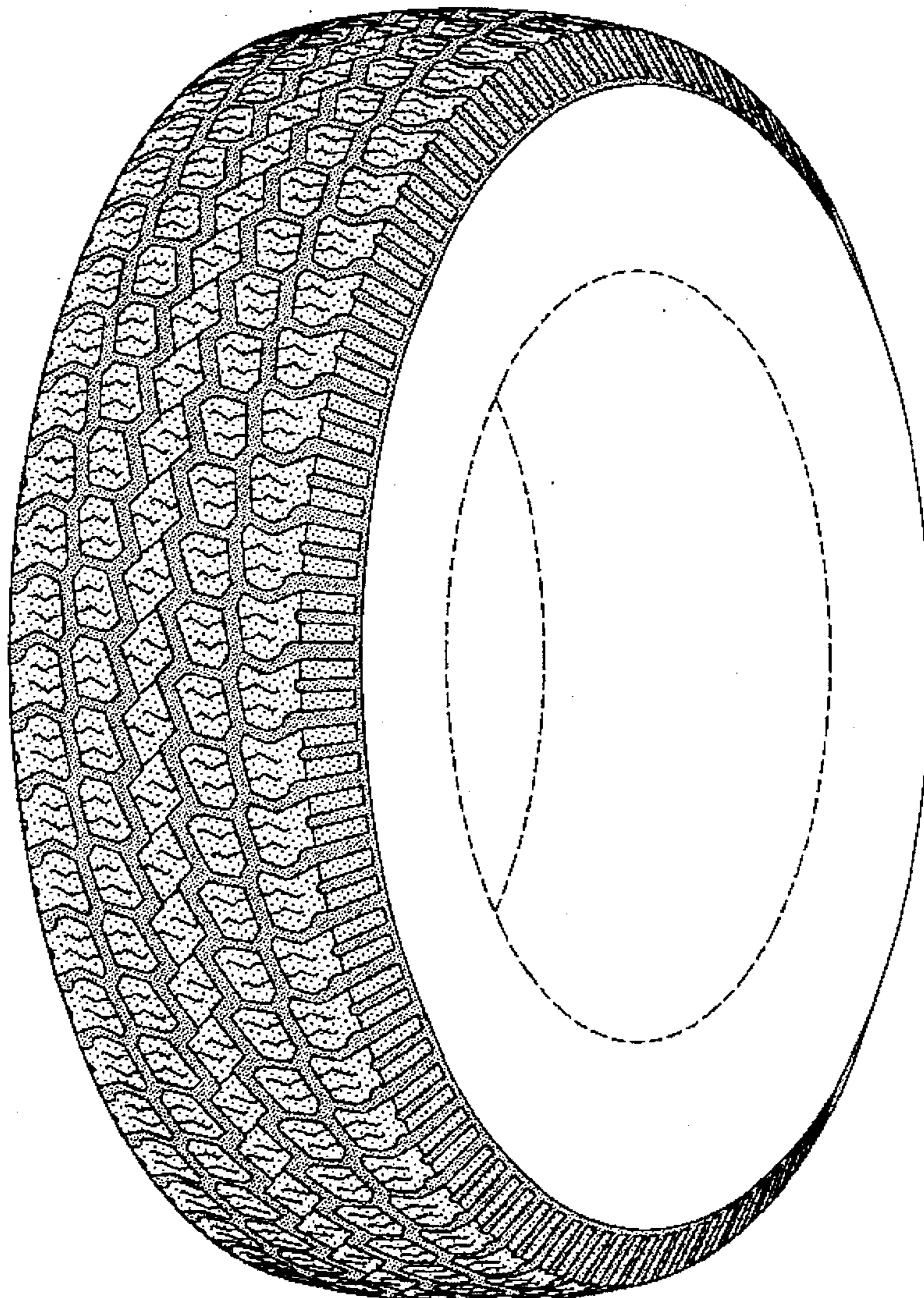
[56] **References Cited**

The broken line showing of the tire sidewall in the drawings is for illustrative purposes only and forms no part of the claimed design.

U.S. PATENT DOCUMENTS

D. 299,328 1/1989 Lyle et al. D12/146
D. 307,122 4/1990 Wischhusen D12/147

1 Claim, 4 Drawing Sheets



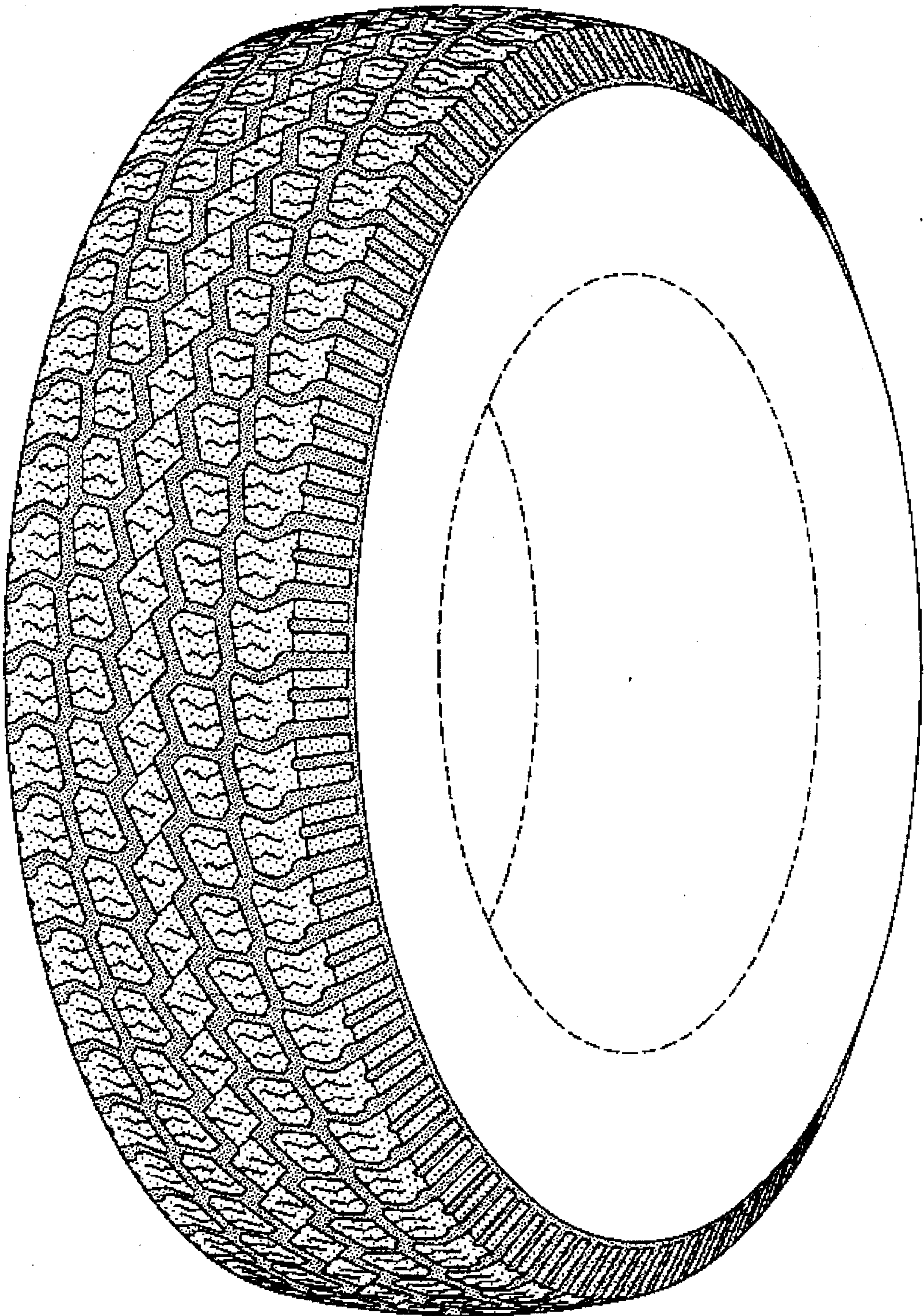


FIG-1

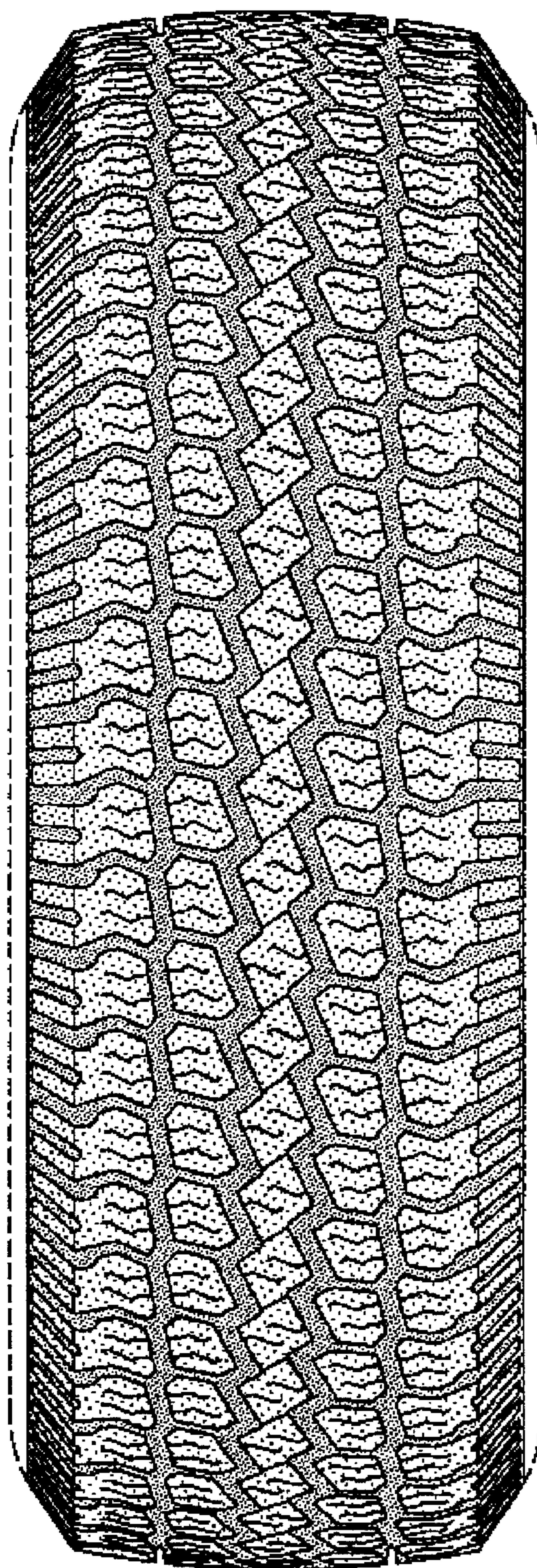


FIG-2

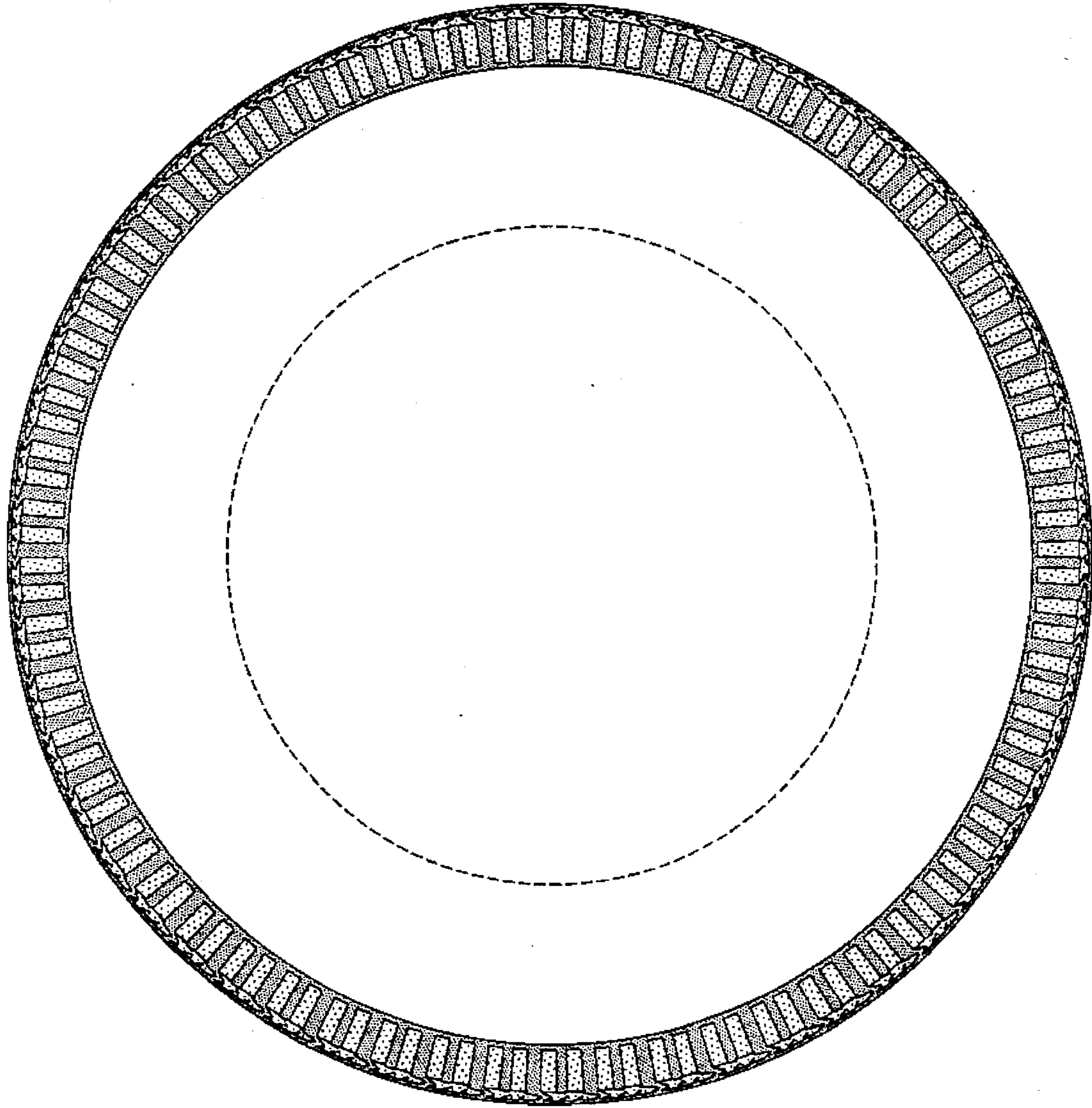


FIG-3

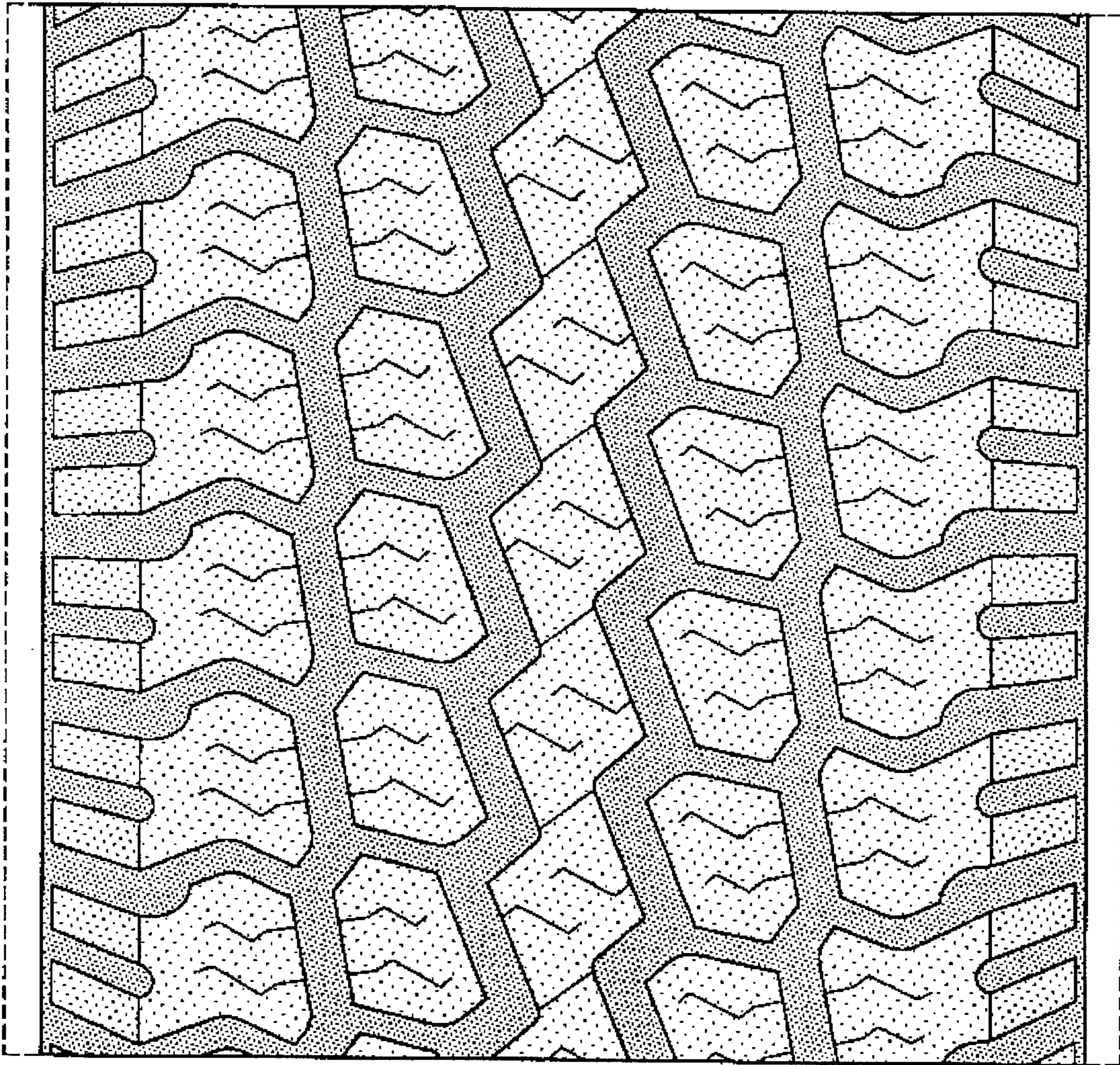


FIG-4