



US00D372001S

# United States Patent [19] Alford

[11] Patent Number: **Des. 372,001**

[45] Date of Patent: **\*\*Jul. 23, 1996**

[54] **TRAILER TONGUE**

[76] Inventor: **Thomas C. Alford**, 1118 NE. 24th St.,  
Ocala, Fla. 34470

[\*\*] Term: **14 Years**

[21] Appl. No.: **38,164**

[22] Filed: **Apr. 28, 1995**

[52] U.S. Cl. .... **D12/104; D12/162**

[58] Field of Search ..... D12/104, 101,  
D12/162; D8/354; 280/491.1, 491.2

[56] **References Cited**

**U.S. PATENT DOCUMENTS**

D. 253,697	12/1979	Zephir .....	D12/162
D. 281,312	11/1985	Russell .....	D12/101
D. 297,411	8/1988	Angel .....	D8/354 X
D. 326,070	5/1992	Hollingworth, Jr. ....	D12/101
D. 354,263	1/1995	Clark et al. ....	D12/162
D. 357,888	5/1995	Geddes .....	D12/101
3,738,684	6/1973	Lusk .....	280/491.2 X
3,829,131	8/1974	Moore, Jr. ....	280/491.1 X
4,799,711	1/1989	Moore .....	280/491.2 X
5,011,177	4/1991	Grice .....	280/491.2 X
5,080,386	1/1992	Lazar .....	280/511 X

**FOREIGN PATENT DOCUMENTS**

2250252 6/1992 United Kingdom ..... 280/491.1

*Primary Examiner*—Alan P. Douglas  
*Assistant Examiner*—Cathron B. Matta  
*Attorney, Agent, or Firm*—Harpman & Harpman

[57] **CLAIM**

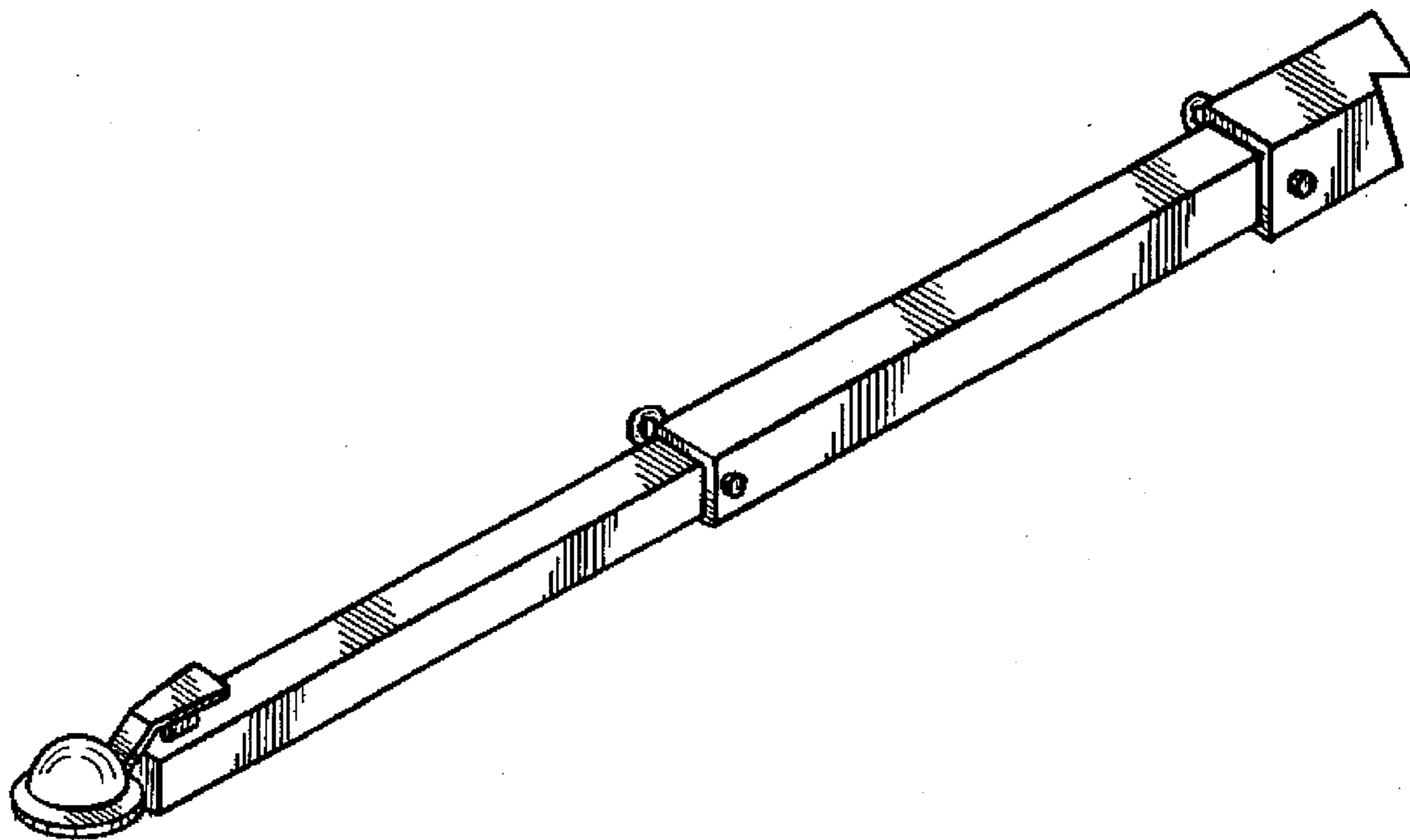
The ornamental design for a trailer tongue, as shown and described.

**DESCRIPTION**

FIG. 1 is a front, top and side perspective view of the trailer tongue embodying the design of the present invention; FIG. 2 is a front elevational view thereof; FIG. 3 is a rear elevational view thereof; FIG. 4 is a right side elevational view thereof; FIG. 5 is a left side elevational view thereof; FIG. 6 is a top plan view thereof; and, FIG. 7 is a bottom plan view thereof.

The broken away portion of the end of the trailer tongue as shown in FIGS. 1, 4, 5, 6 & 7 represents a continuation of the design uniformly along an indefinite length as is for ease and convenience of illustration.

**1 Claim, 3 Drawing Sheets**



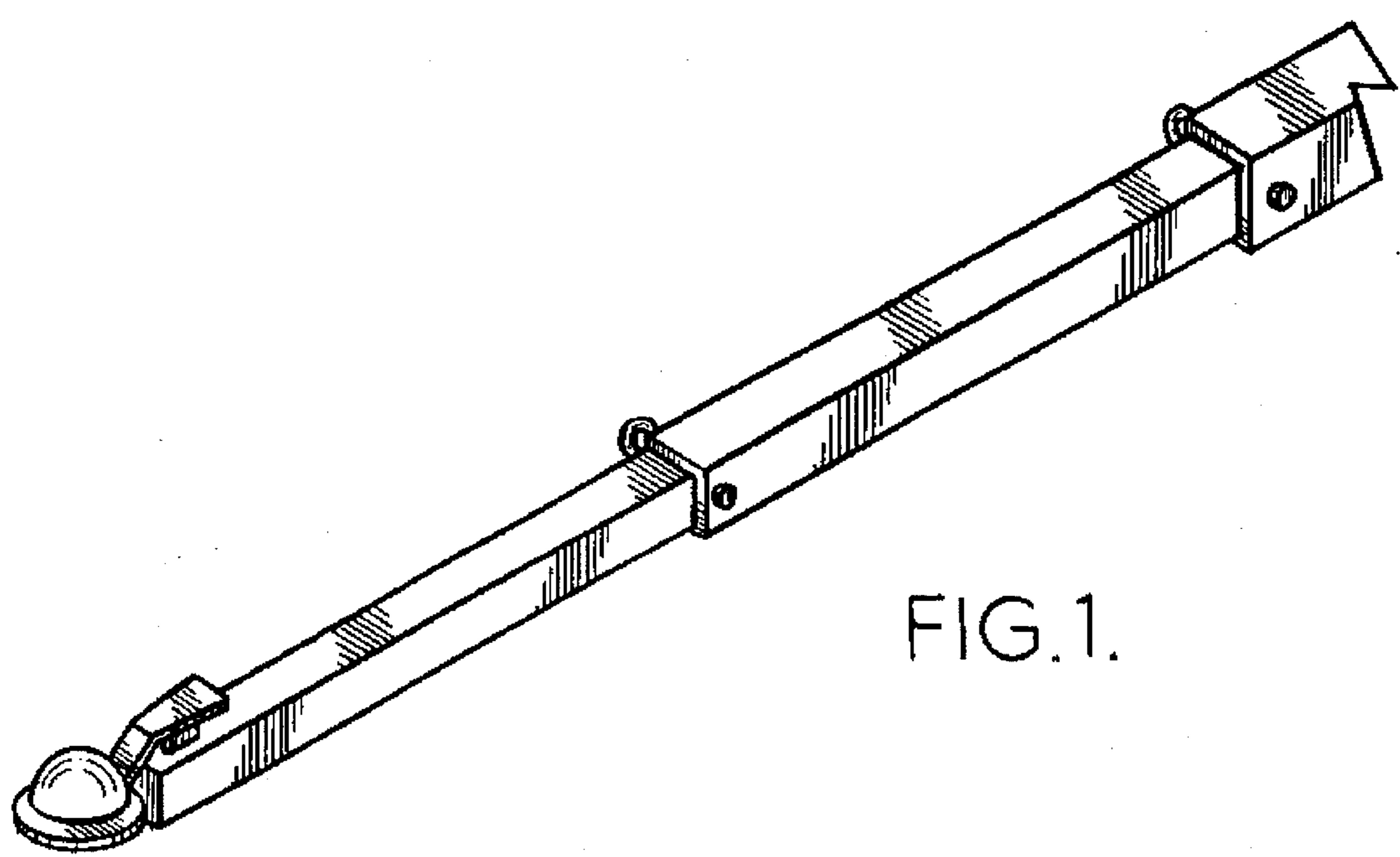


FIG.1.

FIG. 4



FIG. 6

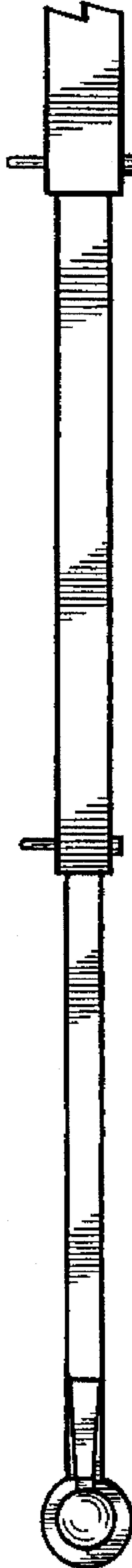


FIG. 3

FIG. 2.

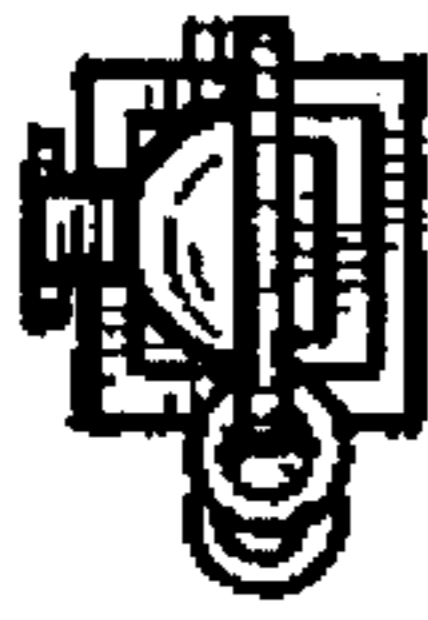


FIG. 5.

FIG. 7.

