



US00D371999S

# United States Patent [19] Song

[11] Patent Number: **Des. 371,999**

[45] Date of Patent: **\*\*Jul. 23, 1996**

[54] **KEY RING**

[76] Inventor: **Chang J. Song**, 6740 Comstock Road,  
Richmond, British Columbia, Canada

[\*\*] Term: **14 Years**

[21] Appl. No.: **36,222**

[22] Filed: **Mar. 15, 1995**

[52] U.S. Cl. .... **D3/207**

[58] Field of Search ..... D3/207-212; 70/456 R,  
70/456 B, 457, 458, 459, 460; 24/3 K

2,079,046 5/1937 Schoeninger ..... D3/207  
 2,188,367 1/1940 Loercher ..... D3/207  
 2,531,835 11/1950 Anderson ..... D3/207

*Primary Examiner*—Ralf Seifert  
*Attorney, Agent, or Firm*—Townsend and Townsend and  
 Crew

[57] **CLAIM**

The ornamental design for a key ring, as shown and described.

**DESCRIPTION**

FIG. 1 is a top plan view of a key ring showing my new design;

FIG. 2 is a bottom plan view thereof;

FIG. 3 is a rear elevational side view thereof;

FIG. 4 is a side view thereof; and,

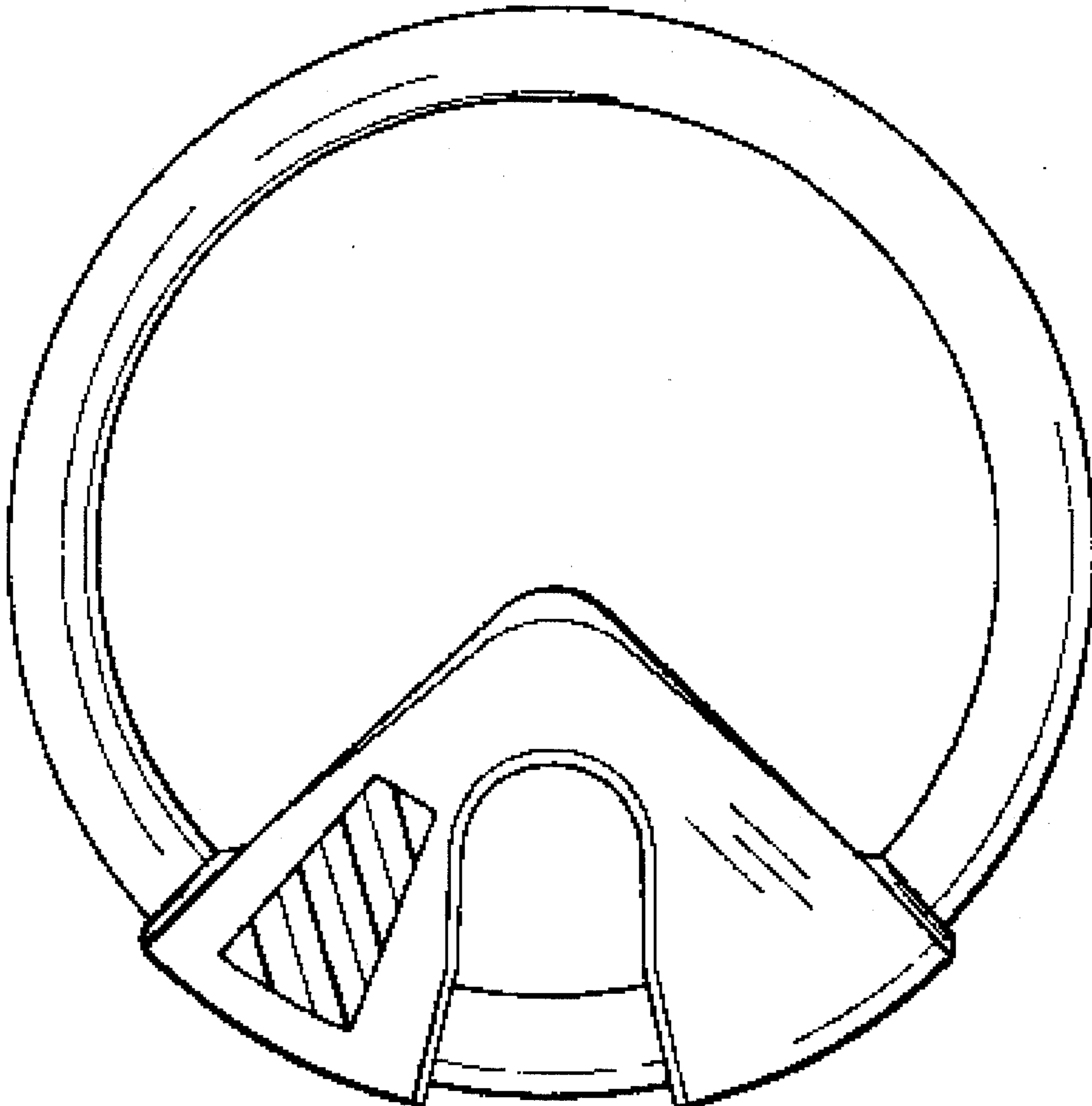
FIG. 5 is a front elevational view thereof.

[56] **References Cited**

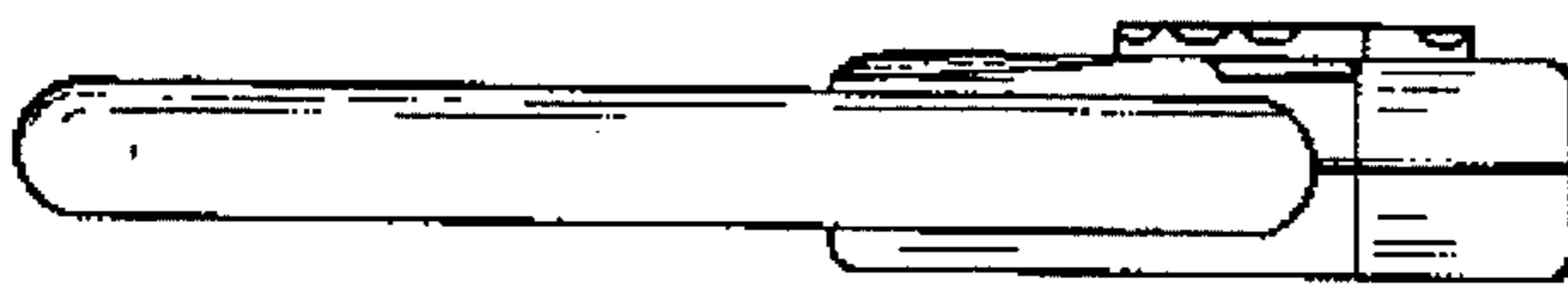
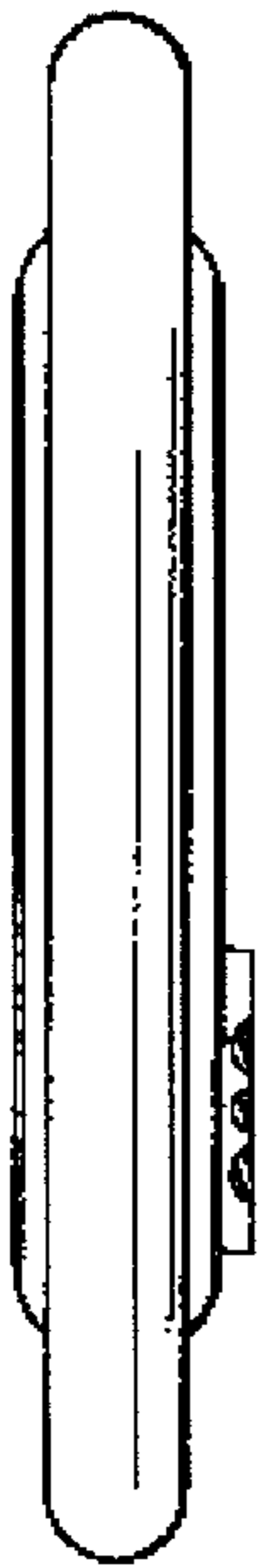
**U.S. PATENT DOCUMENTS**

D. 57,928	5/1921	Payne	.....	D3/207
221,571	11/1879	Jopson	.....	D3/207
D. 241,539	9/1976	Iverson	.....	D3/207
D. 283,036	3/1986	Strongwater	.....	D3/207
D. 360,070	7/1995	DiPaolo et al.	.....	D3/208

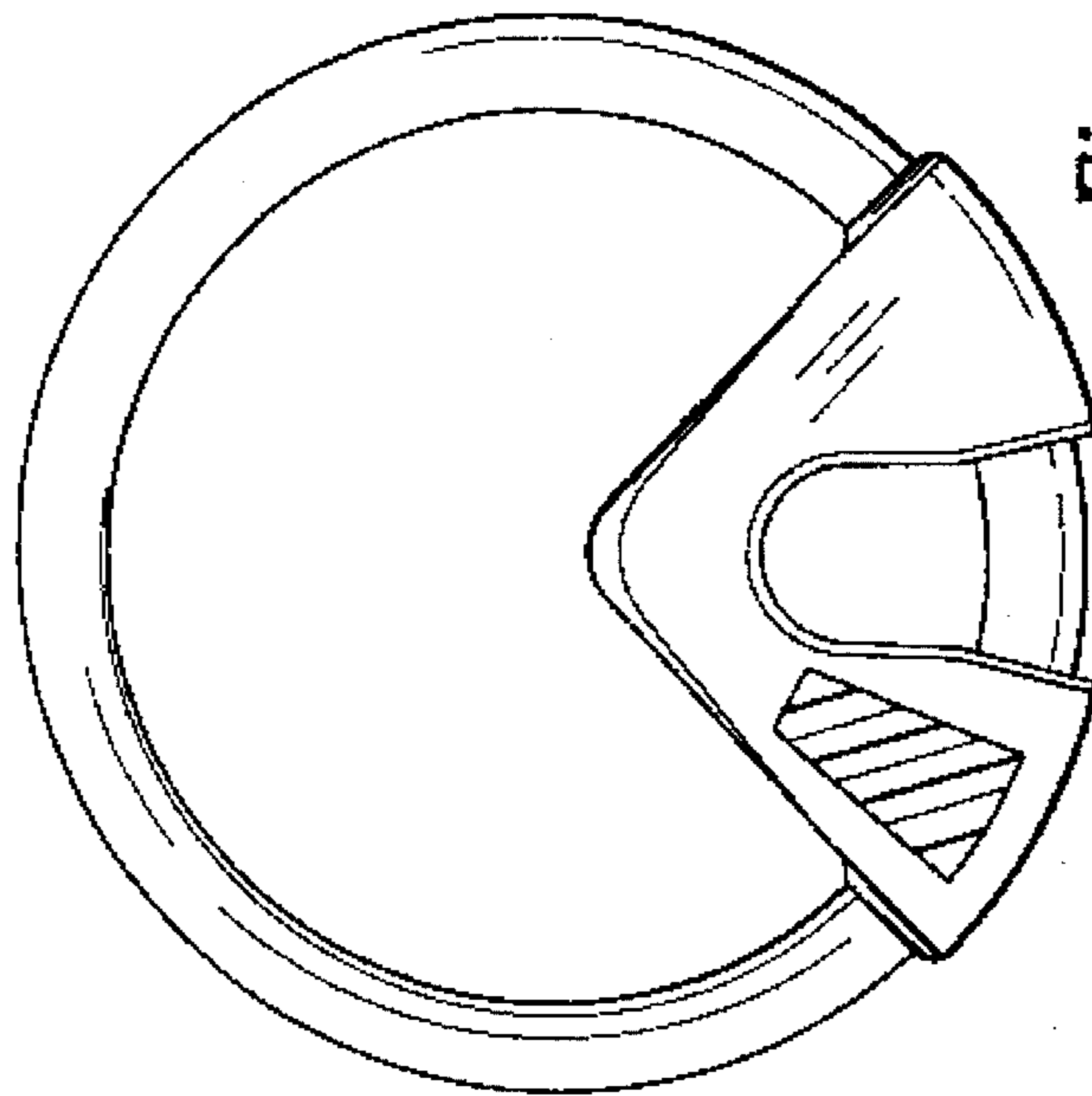
**1 Claim, 1 Drawing Sheet**



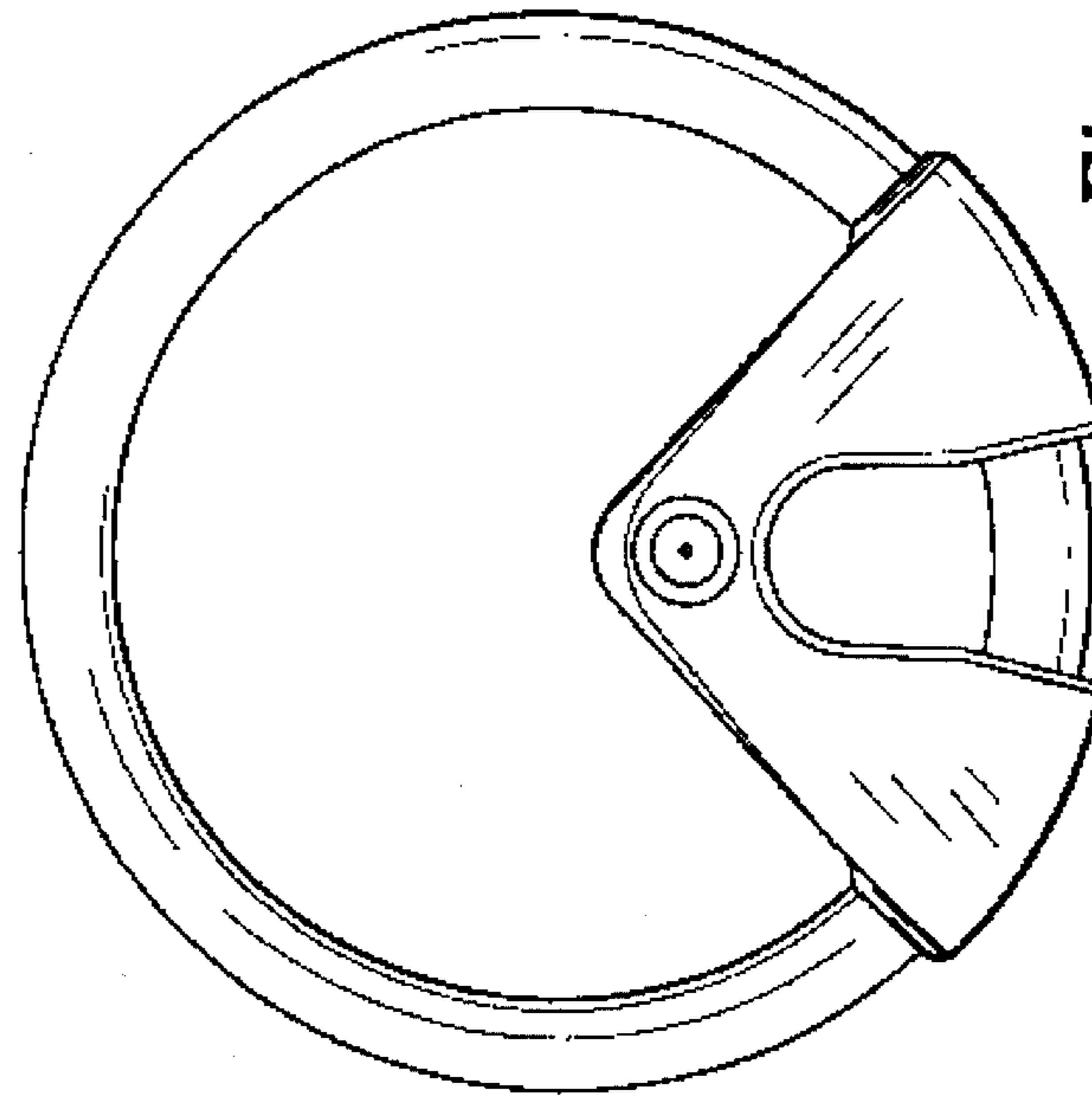
*Fig. 3*



*Fig. 4*



*Fig. 1*



*Fig. 2*



*Fig. 5*