



US00D371982S

United States Patent [19]

Price

[11] Patent Number: **Des. 371,982**

[45] Date of Patent: ****Jul. 23, 1996**

[54] PIN

[76] Inventor: **Gail Price**, 1045 Fayetteville Ave.,
Calabash, N.C. 28467

[**] Term: **14 Years**

[21] Appl. No.: **46,774**

[22] Filed: **Nov. 17, 1995**

[52] U.S. Cl. **D11/40; D28/43**

[58] Field of Search **D11/1-2, 79-116,**
D11/206, 184; 63/1.1-2, 18-20; D28/41-42;
132/273, 275, 281; 428/4; 223/46

2,661,748 12/1953 Racho 24/6
 2,818,870 1/1958 Francis D28/41
 3,519,003 7/1970 Mizell D28/41
 5,094,370 3/1992 Specht 223/46
 5,251,650 10/1993 Edmark 132/281
 5,387,446 2/1995 Weder 428/4
 5,398,705 3/1995 Hiltbrand et al. D28/41

Primary Examiner—Ralf Seifert
Attorney, Agent, or Firm—Goldstein & Associates

[57] **CLAIM**

The ornamental design for a pin, as shown and described.

DESCRIPTION

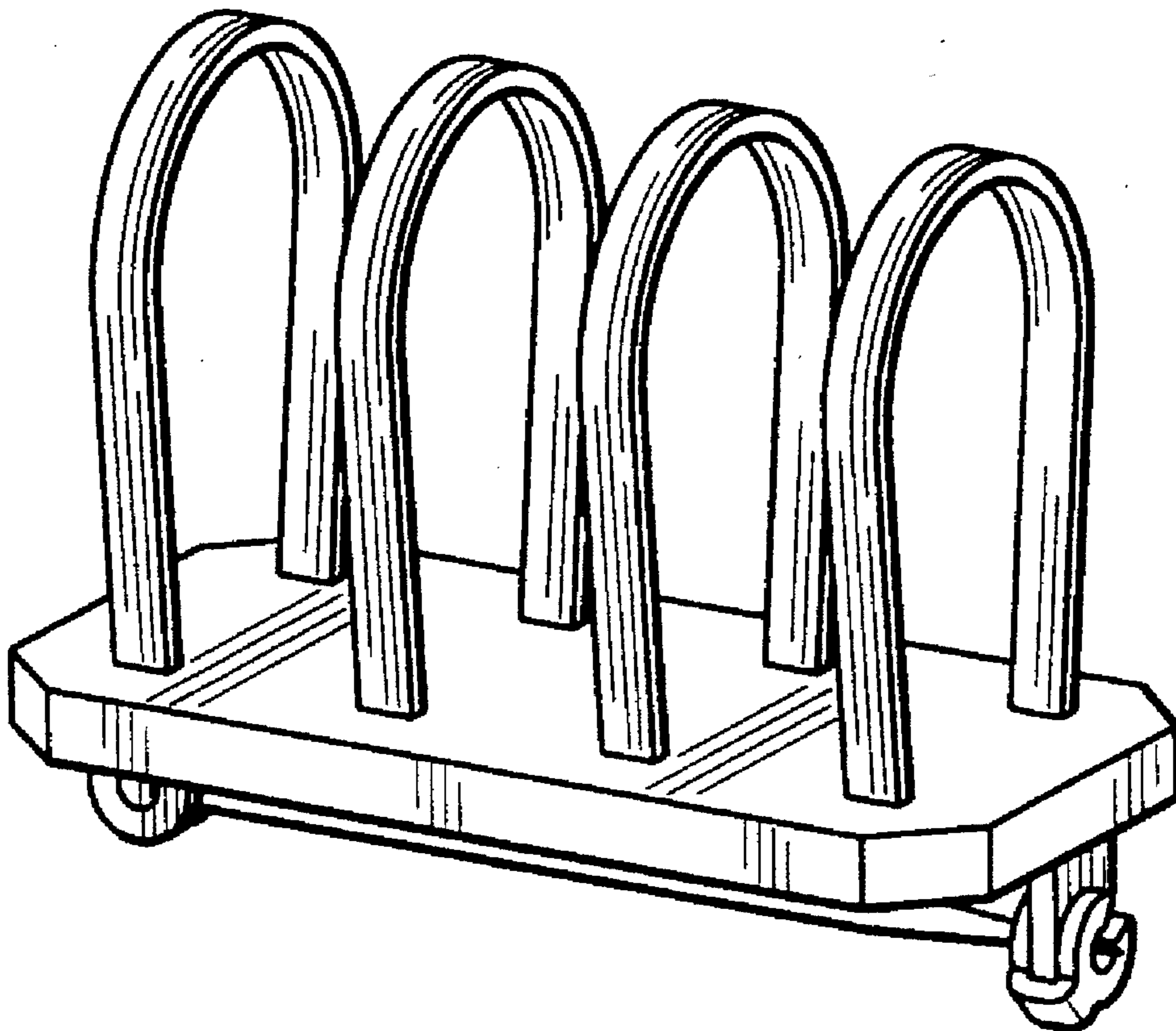
FIG. 1 is a perspective view of a pin showing my new design in full lines;
 FIG. 2 is a left side elevational view thereof;
 FIG. 3 is a front elevational view thereof;
 FIG. 4 is a right side elevational view thereof;
 FIG. 5 is a rear elevational view thereof;
 FIG. 6 is a top plan view of the a pin per se; and,
 FIG. 7 is a bottom plan view thereof.

1 Claim, 2 Drawing Sheets

[56] **References Cited**

U.S. PATENT DOCUMENTS

D. 163,687	6/1951	Friedman	D28/42
D. 313,485	1/1991	Malouf	D28/41
D. 332,763	1/1993	Asano et al.	D11/184
D. 357,092	4/1995	Young	D28/43
1,221,172	4/1917	Hamilton	D11/206
1,413,468	4/1922	Gaunt	D11/40
1,819,757	8/1931	Roberts et al.	D11/40
2,047,825	7/1936	Johnson et al.	26/6



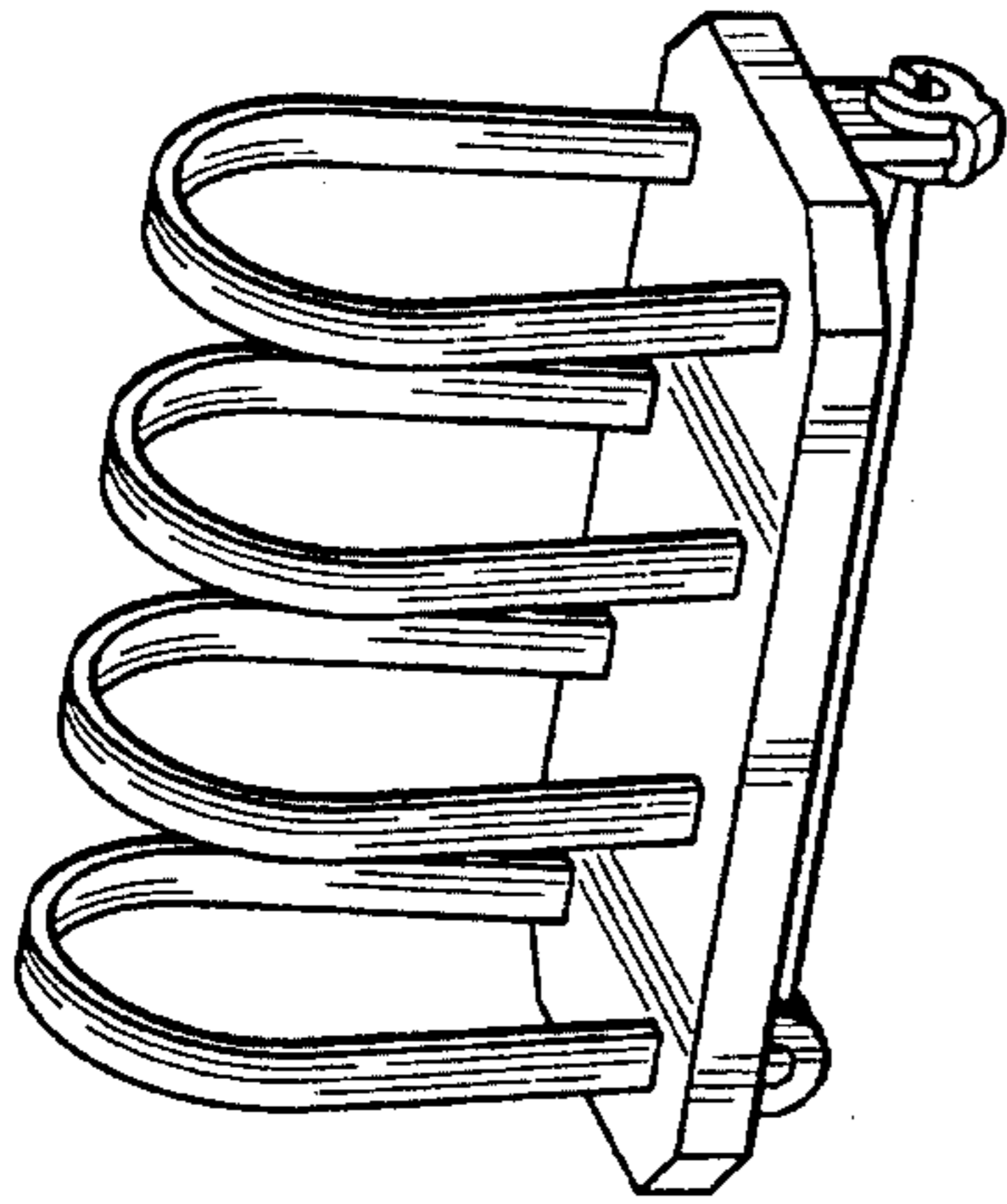


FIG. 1

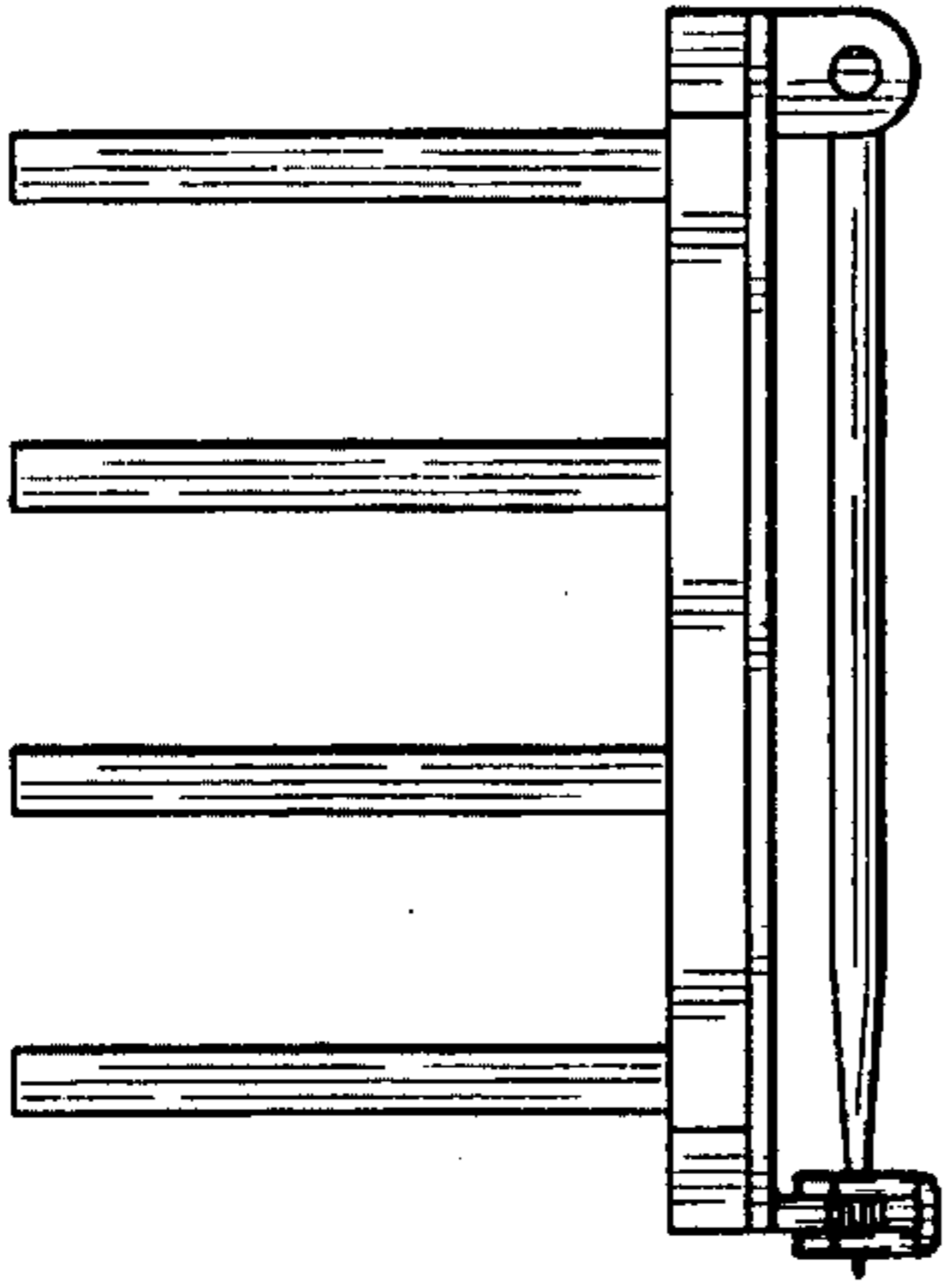


FIG. 5

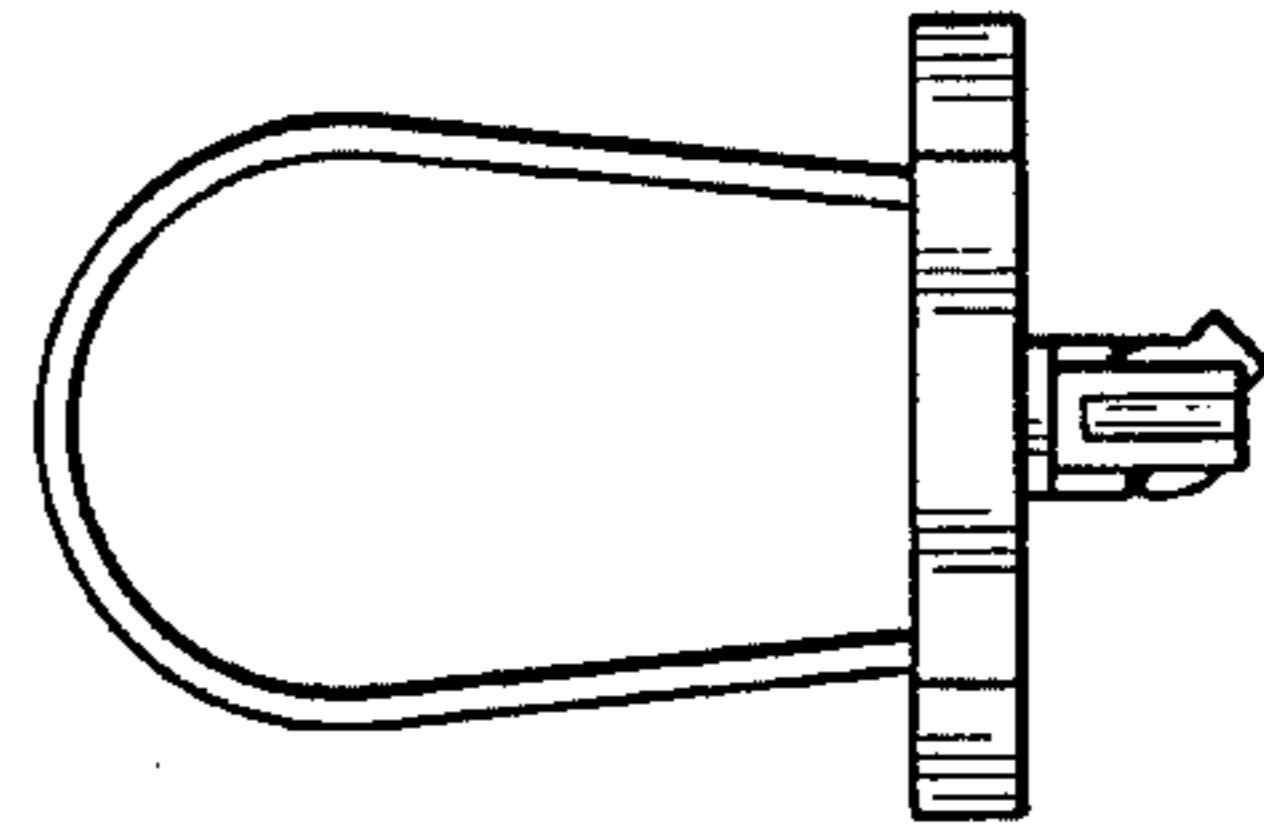


FIG. 2

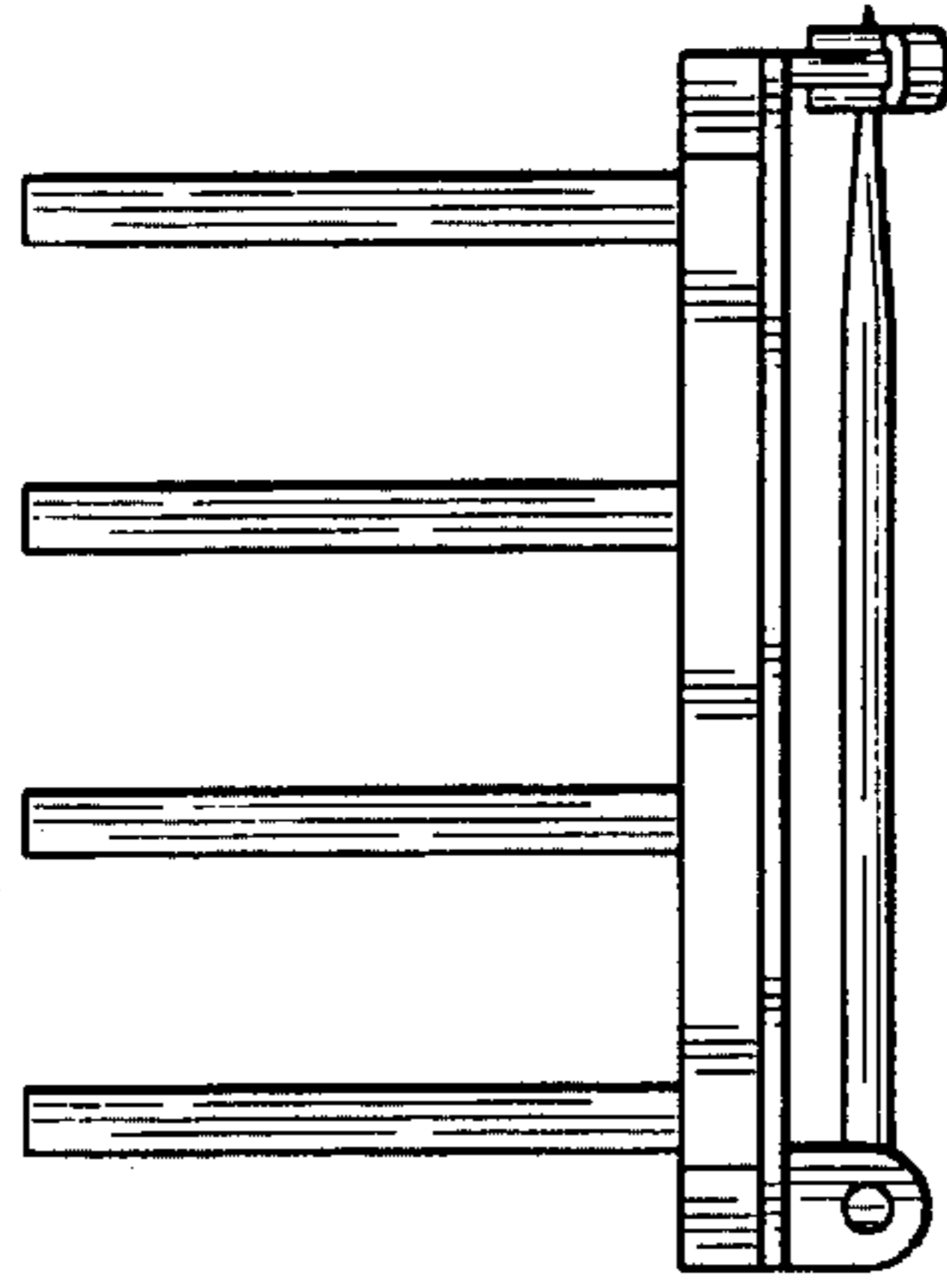


FIG. 3

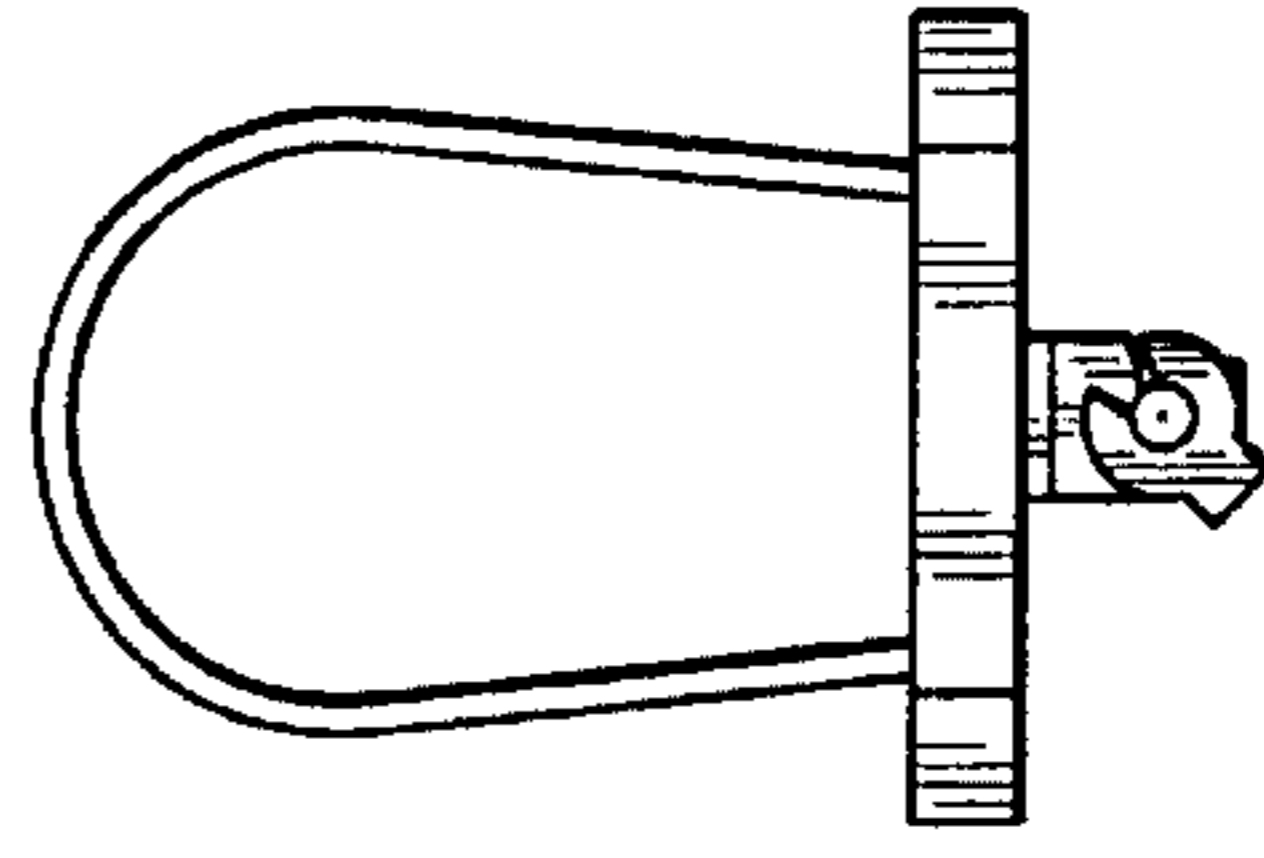


FIG. 4

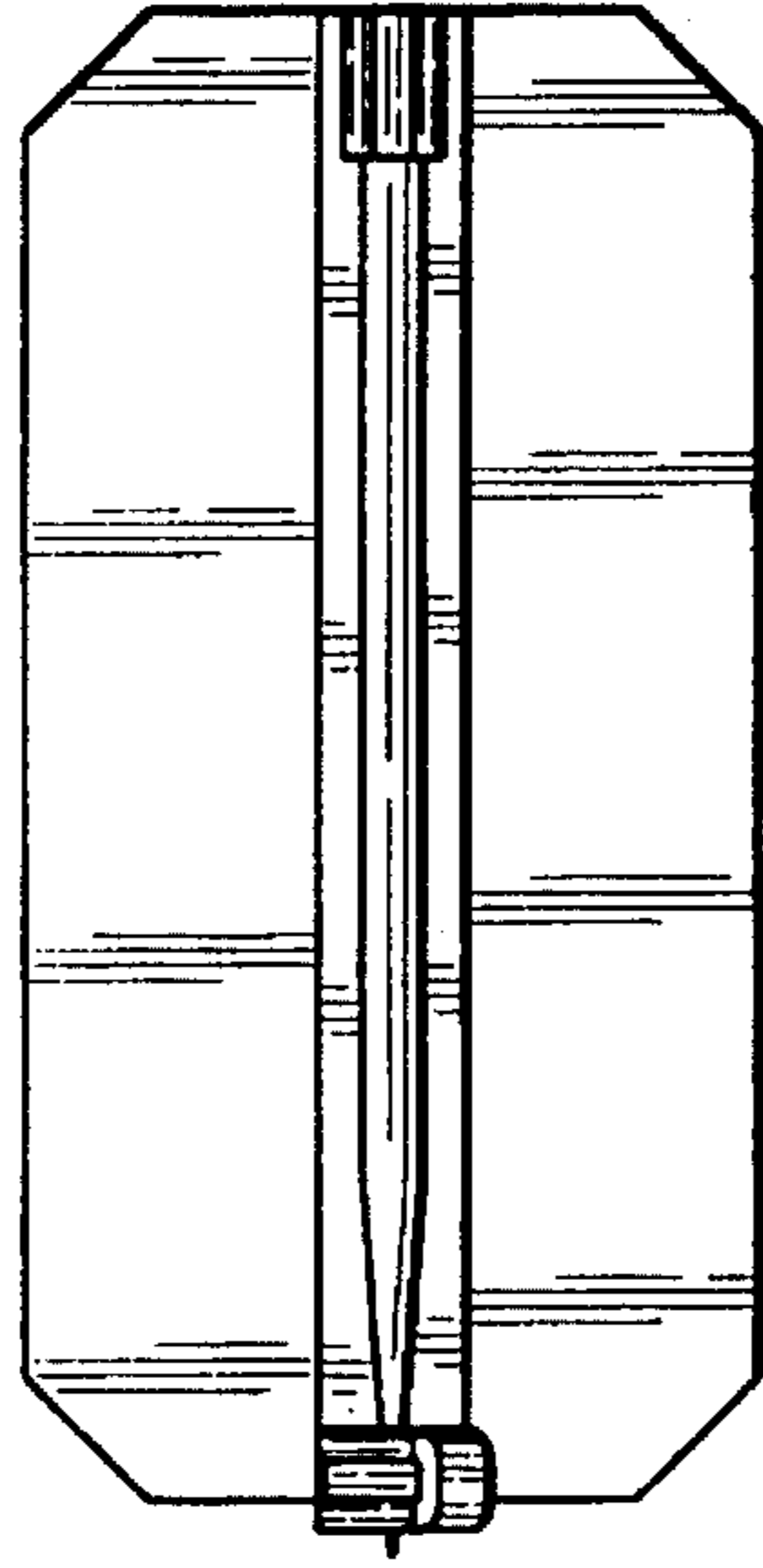


FIG. 7

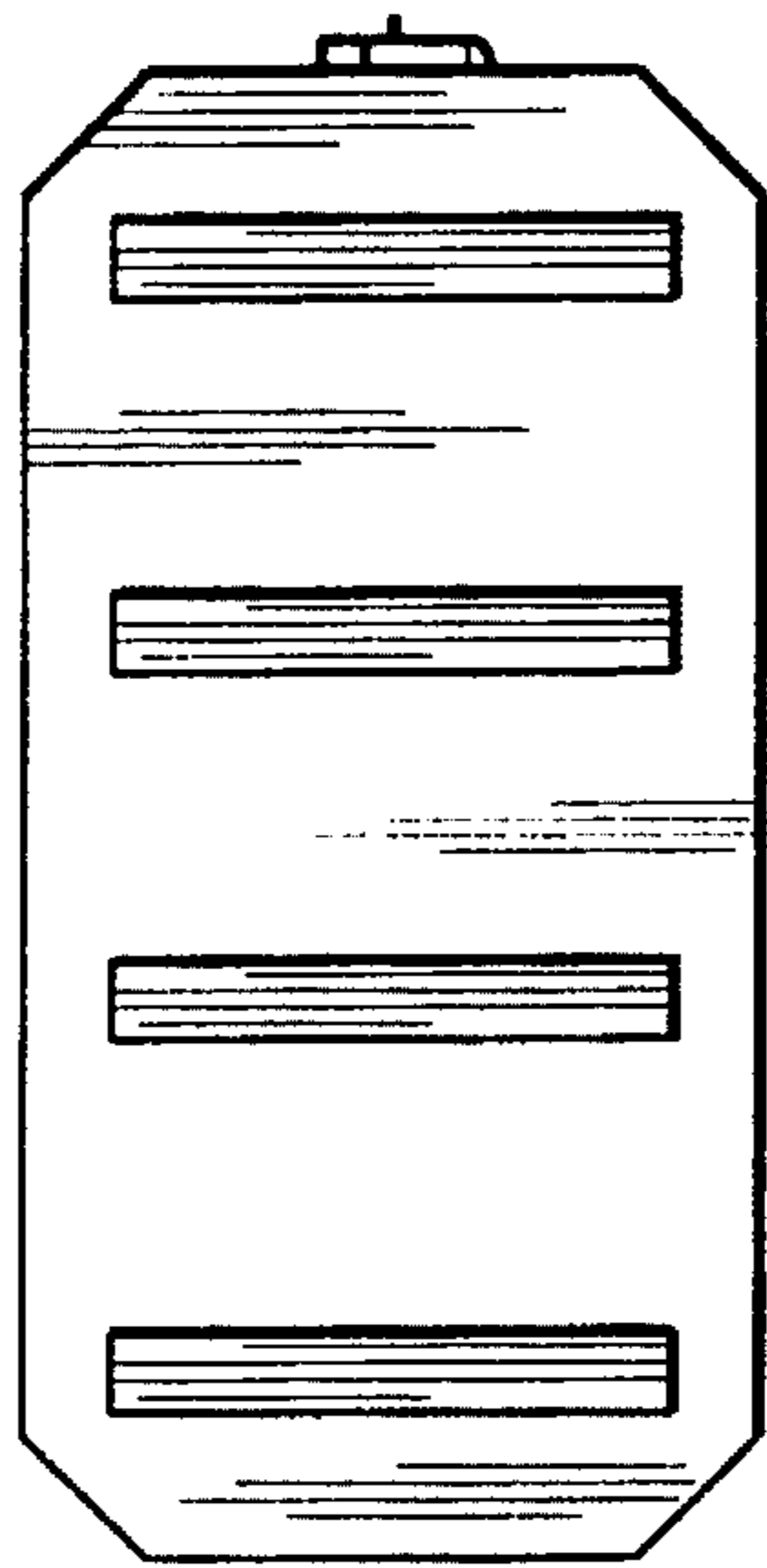


FIG. 6