



US00D371980S

**United States Patent** [19]  
**Gardner**

[11] **Patent Number: Des. 371,980**

[45] **Date of Patent: \*\*Jul. 23, 1996**

[54] **BANGLE**

[75] Inventor: **William D. Gardner**, Nr. Barnet, England

[73] Assignee: **Hennell of Bond Street Limited**, London, England

[\*\*] Term: **14 Years**

[21] Appl. No.: **36,502**

[22] Filed: **Mar. 22, 1995**

[30] **Foreign Application Priority Data**

Sep. 29, 1994 [GB] United Kingdom ..... 2042185

[52] U.S. Cl. .... **D11/4**

[58] Field of Search ..... D11/1-18, 26-39;  
63/1.1, 2, 3

[56] **References Cited**

**U.S. PATENT DOCUMENTS**

D. 252,866 9/1979 Barr ..... D11/27

**OTHER PUBLICATIONS**

Goldschmiede Zeitung Oct. 1987 Item located lower right of p. 87.

*Primary Examiner*—Ralf Seifert  
*Attorney, Agent, or Firm*—Abelman, Frayne & Schwab

[57] **CLAIM**

The ornamental design for a bangle, as shown and described.

**DESCRIPTION**

FIG. 1 is a front elevation of the bangle;  
FIG. 2 is a perspective view thereof taken from the right hand side of FIG. 1;

FIG. 3 is a plan view of FIG. 1;

FIG. 4 is an underside plan view of FIG. 1;

FIG. 5 is a rear elevation of FIG. 1;

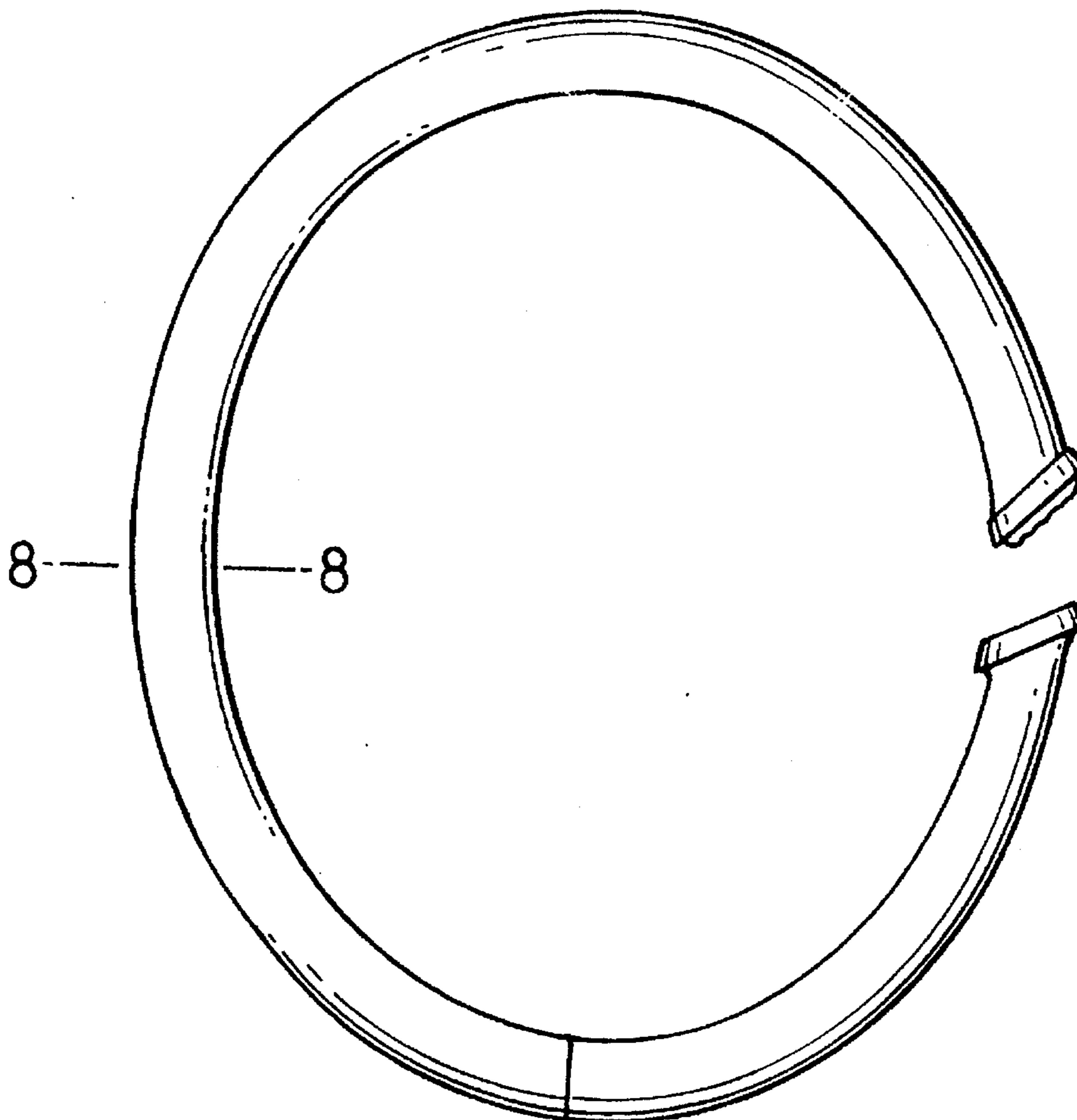
FIG. 6 is a right side elevation of FIG. 5;

FIG. 7 is a left side elevation of FIG. 5; and,

FIG. 8 is a cross-section on the line 8—8 in FIG. 1.

The appearance of the end, not shown in the opening, is plain and unornamented.

**1 Claim, 2 Drawing Sheets**



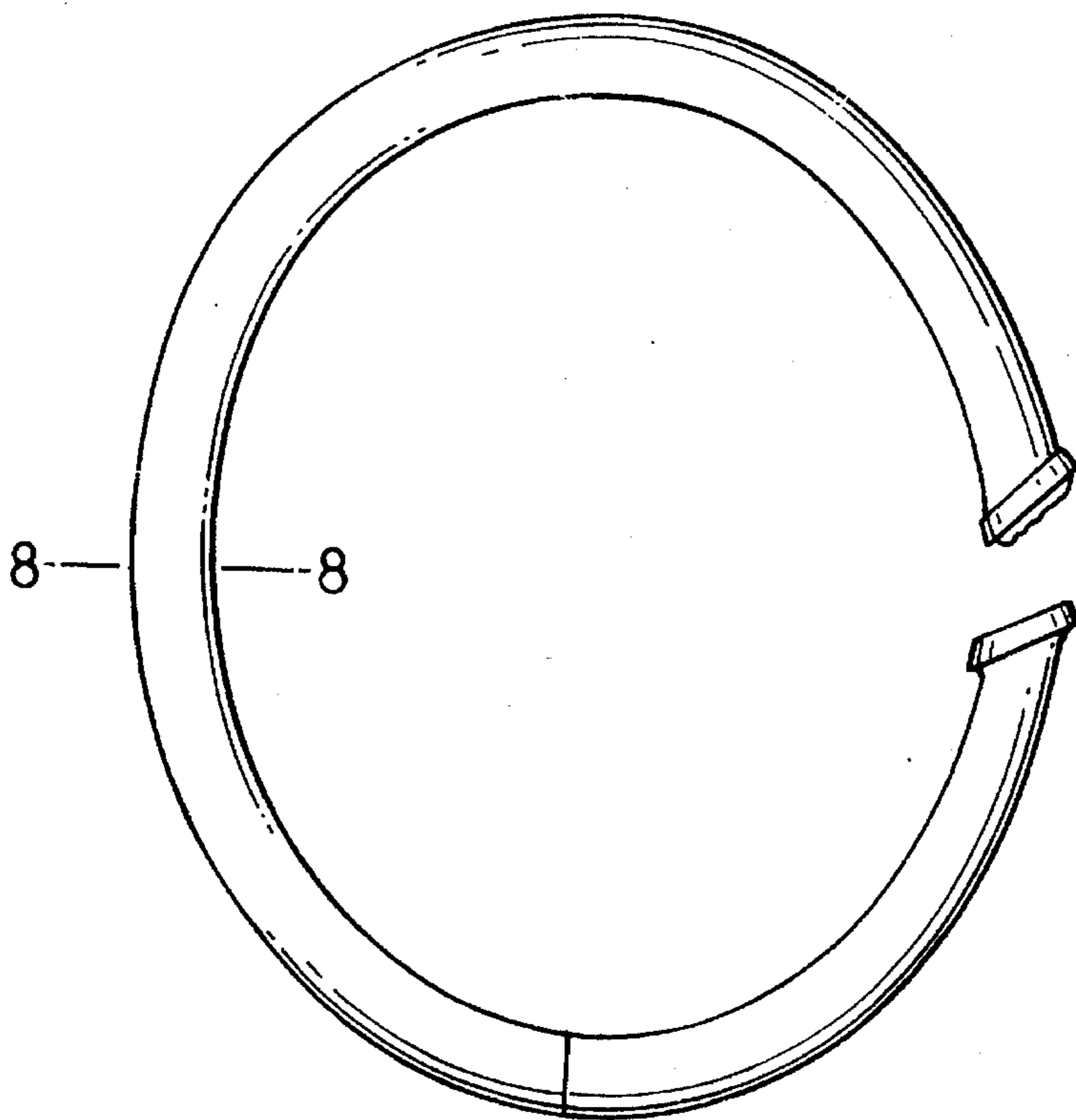


Fig. 1

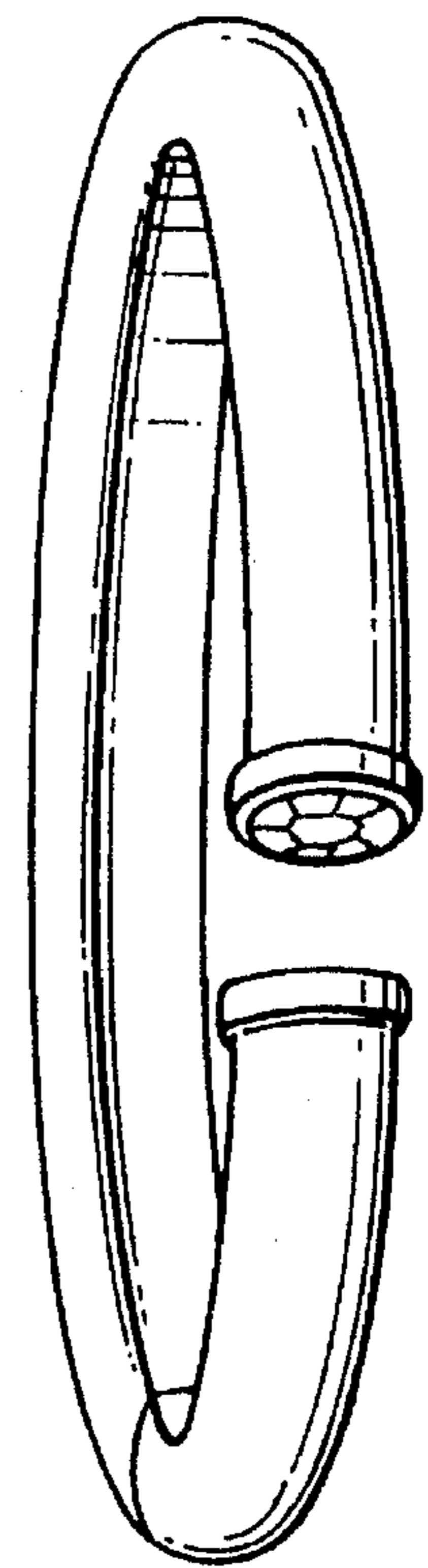


Fig. 2

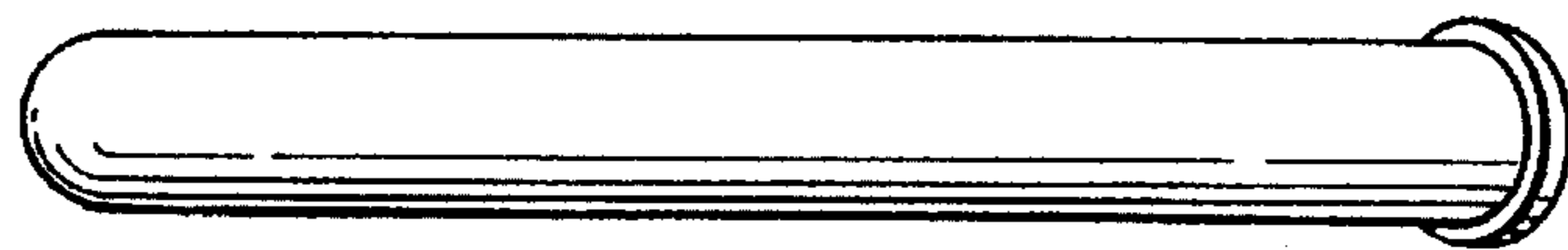


Fig. 3

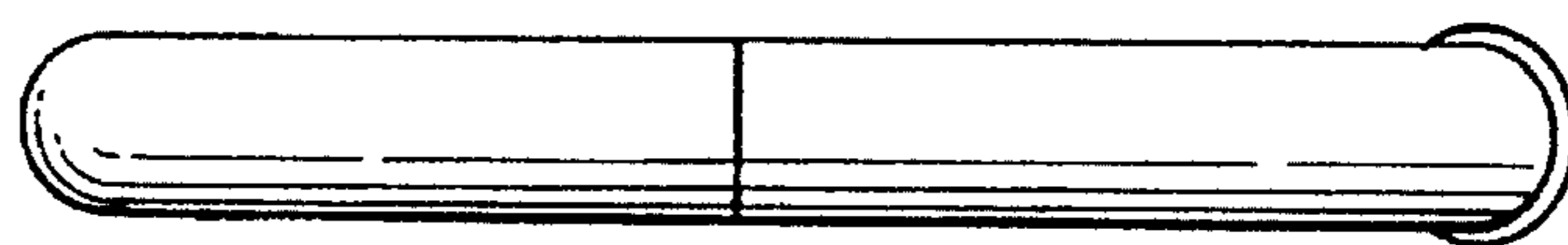


Fig. 4

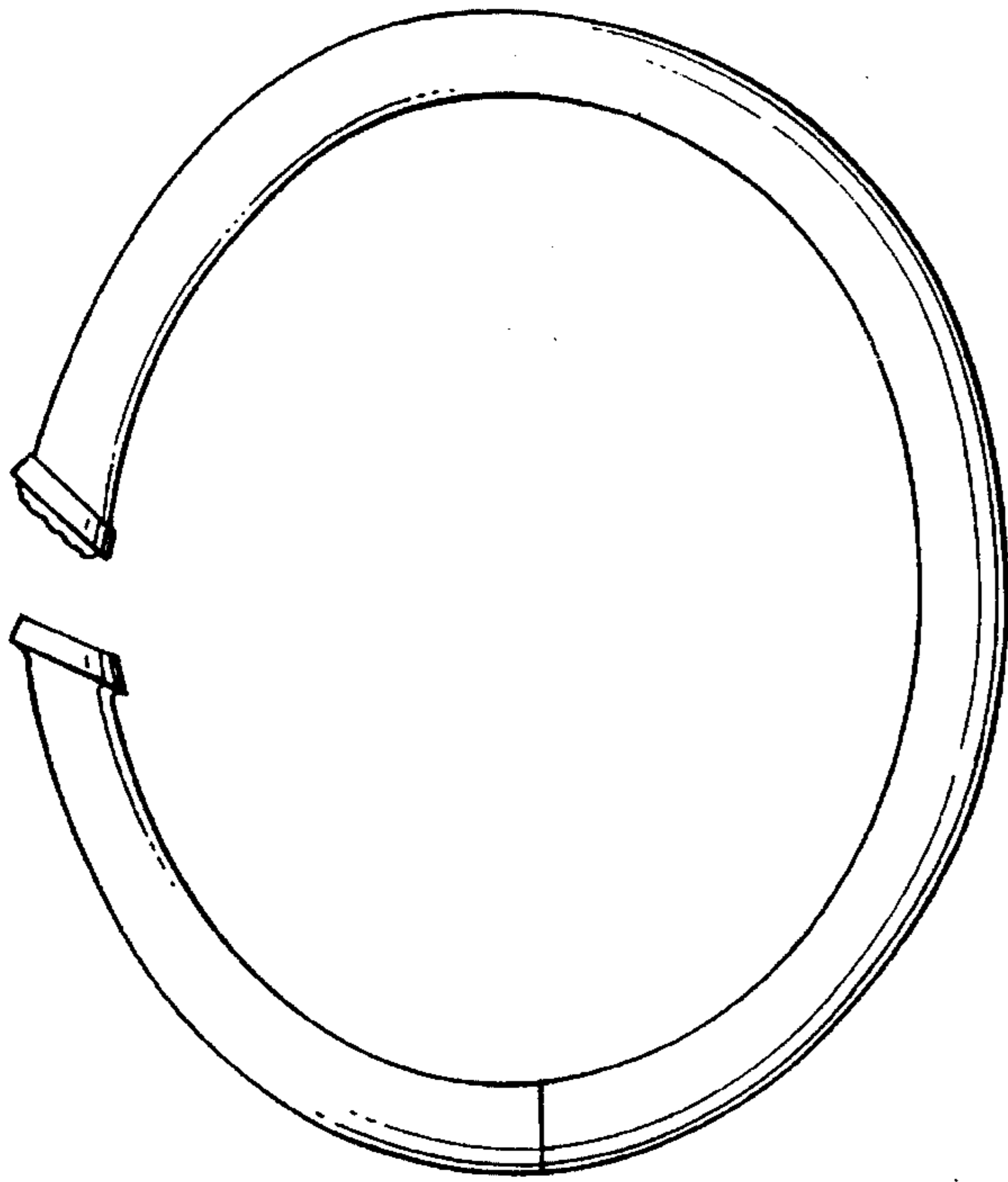


Fig. 5

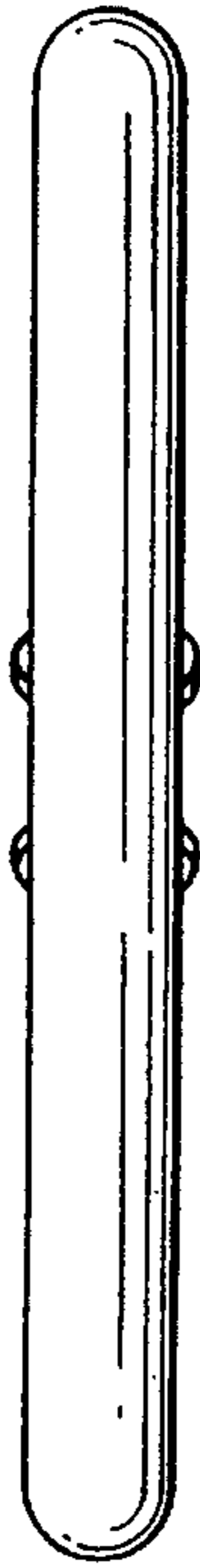


Fig. 6

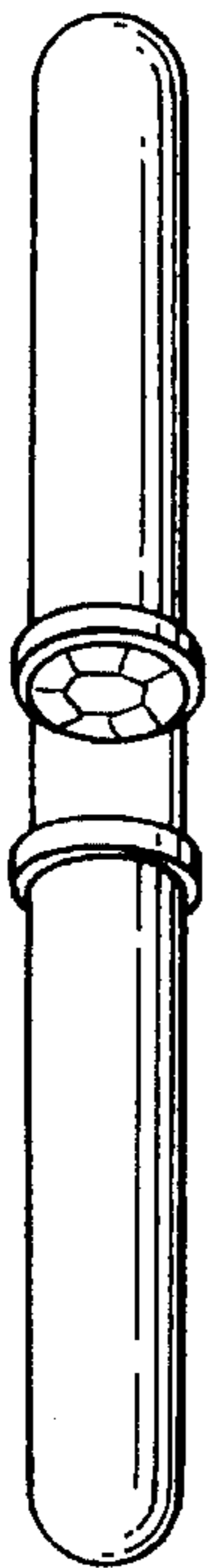


Fig. 7



Fig. 8