



US00D371970S

United States Patent [19] Desgrippes

[11] **Patent Number:** **Des. 371,970**

[45] **Date of Patent:** ****Jul. 23, 1996**

[54] **JAR**

[75] **Inventor:** **Joël Desgrippes**, Paris, France

[73] **Assignee:** **Cosmetique Sans Soucis GmbH**,
Baden-Baden, Germany

[**] **Term:** **14 Years**

[21] **Appl. No.:** **43,039**

[22] **Filed:** **Aug. 23, 1995**

[30] **Foreign Application Priority Data**

Feb. 24, 1995 [DE] Germany M 95 01 879.4

[52] **U.S. Cl.** **D9/573; D9/550**

[58] **Field of Search** **D9/573, 550, 522,**
D9/572-575, 558, 563; 215/382, 400

[56] **References Cited**

U.S. PATENT DOCUMENTS

- D. 93,116 8/1934 Leach D9/571
- D. 132,185 4/1942 McIntosh D9/522 X
- D. 298,514 11/1988 Dole et al. D9/571
- D. 320,554 10/1991 Van Dine et al. D9/574
- D. 353,101 12/1994 Desgrippes D9/550 X

OTHER PUBLICATIONS

Beauty Fashion, May 1979, p. 26, Lancaster skin care jar.
Beauty Fashion, Apr. 1980, p. 119, Fabriella jars.
Beauty Fashion, May 1985, p. 31, Shiseido jar.
Drug & Cosmetic Industry, Feb. 1986, p. 27, Avon "Accolade" jar.

Primary Examiner—Lucy Lieberman
Attorney, Agent, or Firm—Spencer & Frank

[57] **CLAIM**

The ornamental design for a jar, as shown.

DESCRIPTION

FIG. 1 is a perspective view of a jar showing the front, side and top of my new design;
FIG. 2 is a front view thereof;
FIG. 3 is a side view showing the right side thereof;
FIG. 4 is a side view showing the left side thereof;
FIG. 5 is a rear view thereof;
FIG. 6 is a top view thereof; and,
FIG. 7 is a bottom view thereof.

1 Claim, 3 Drawing Sheets

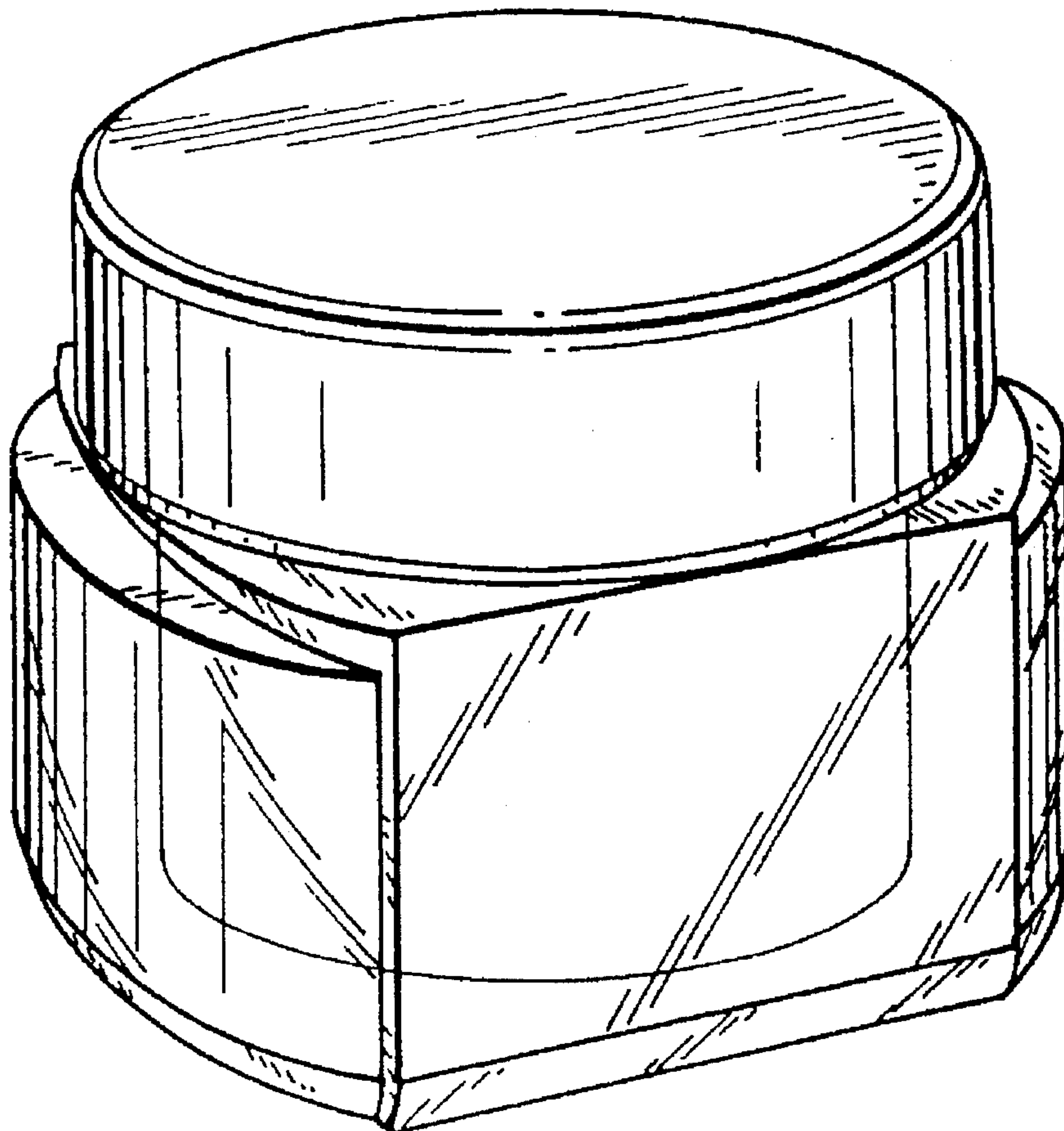


FIG. 1

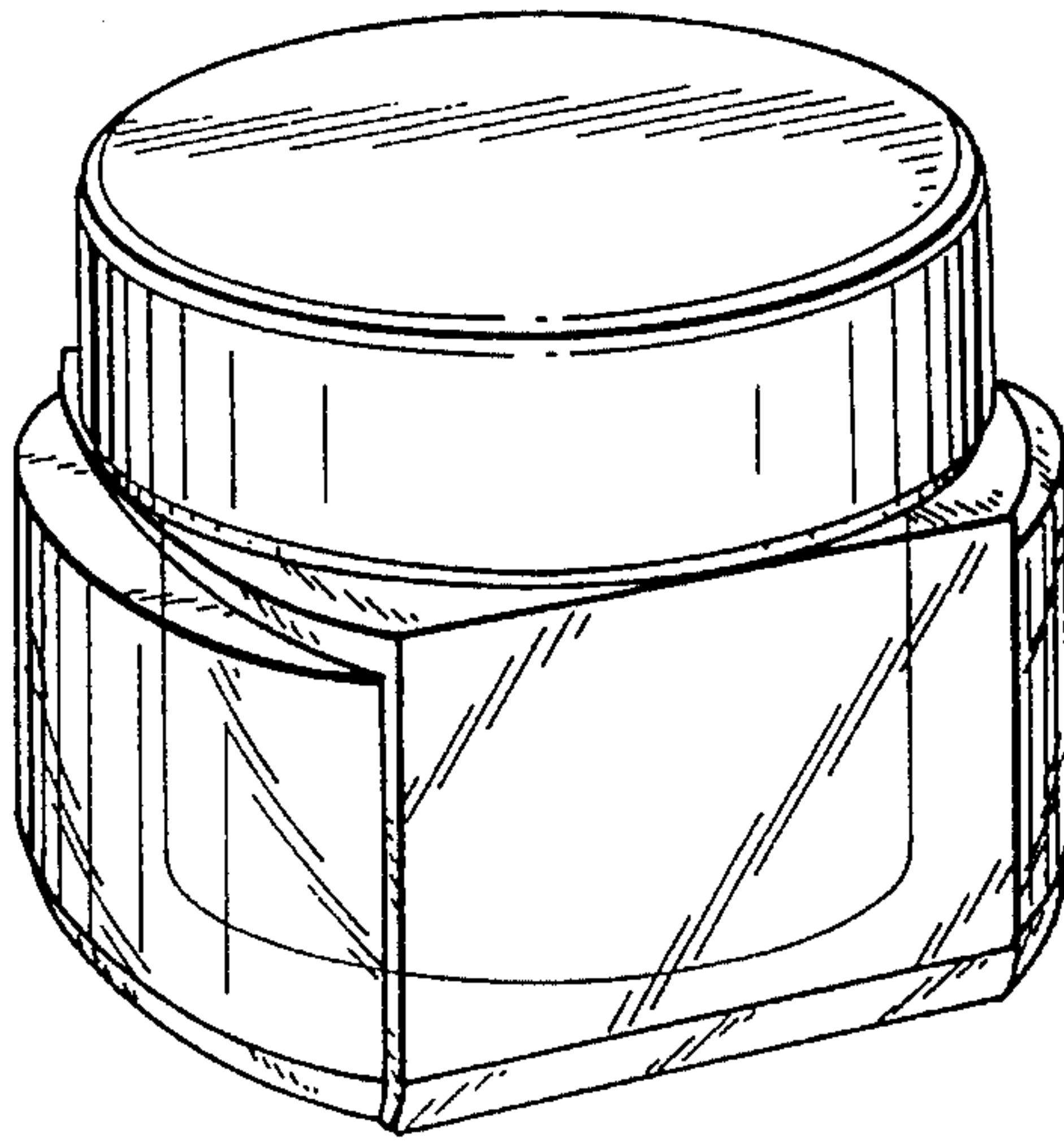


FIG. 2

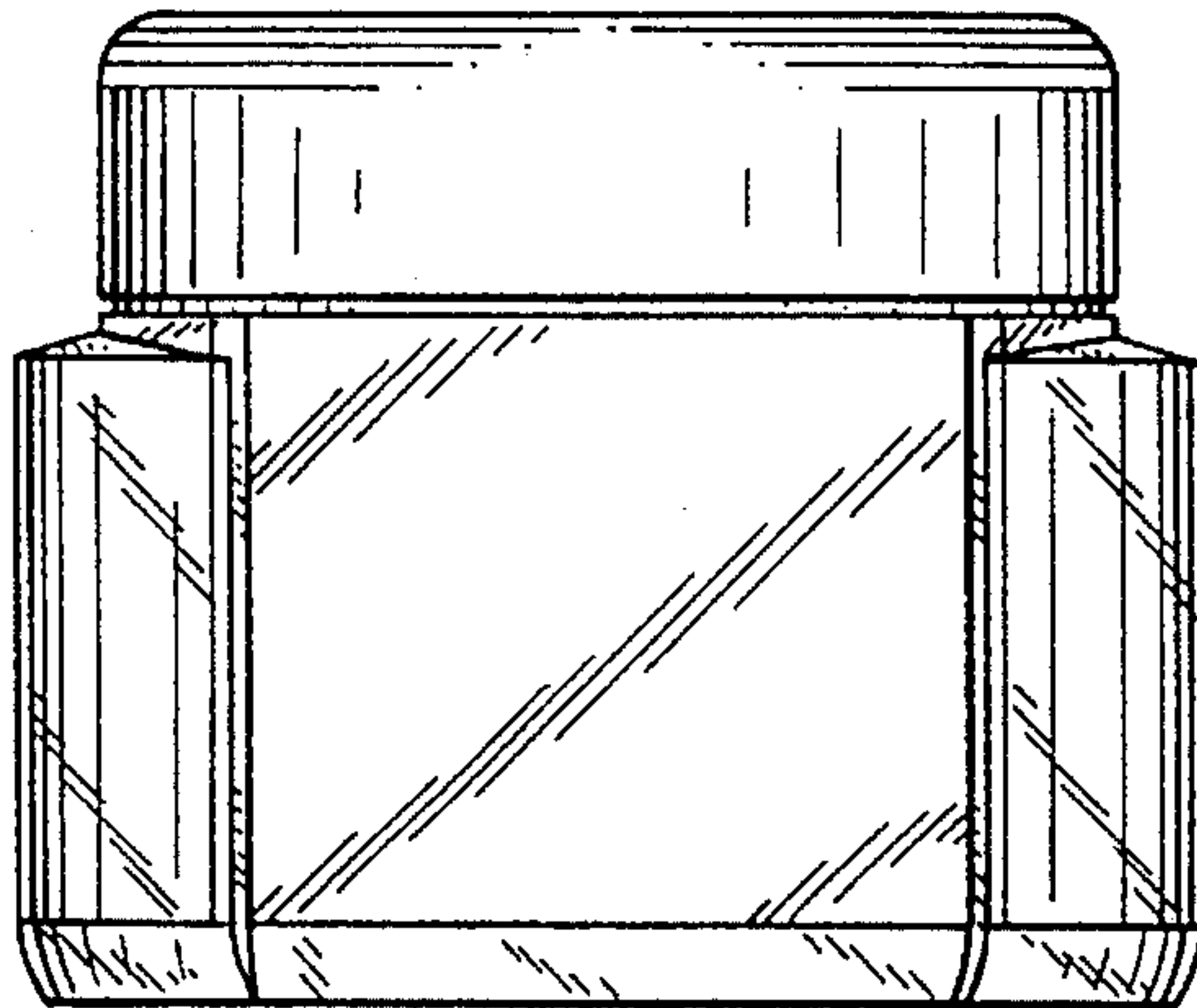


FIG. 3

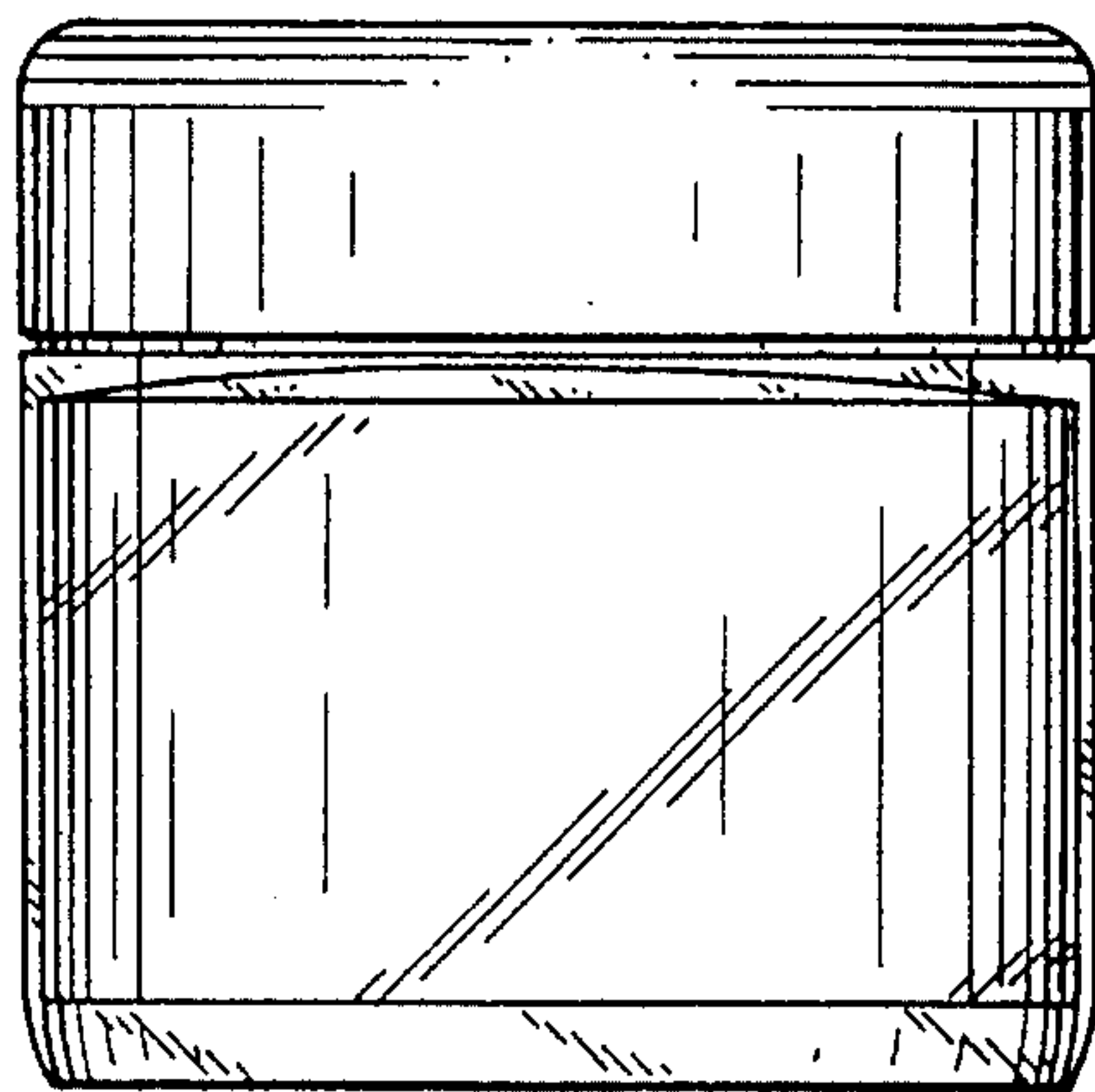


FIG. 4

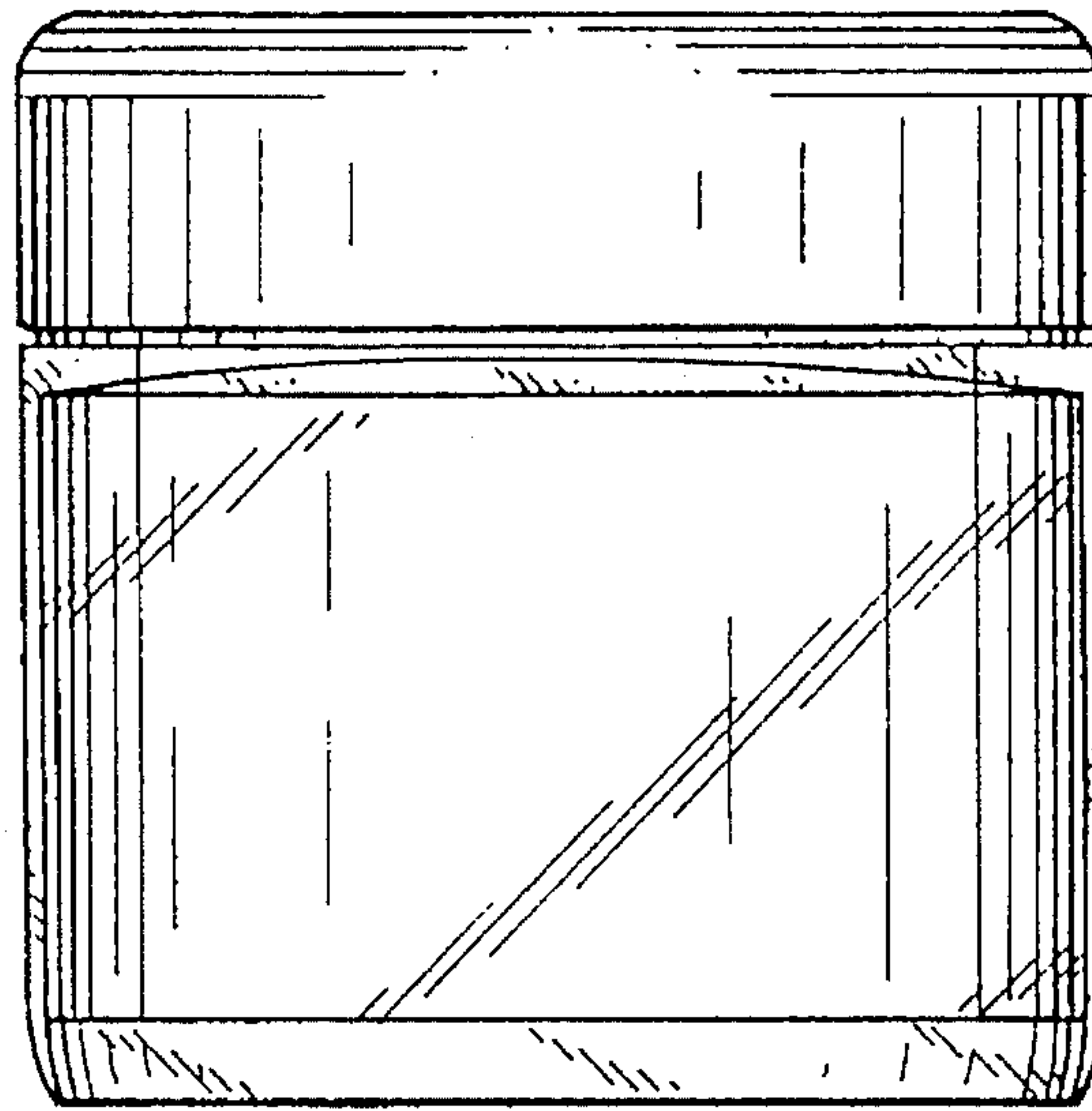


FIG. 5

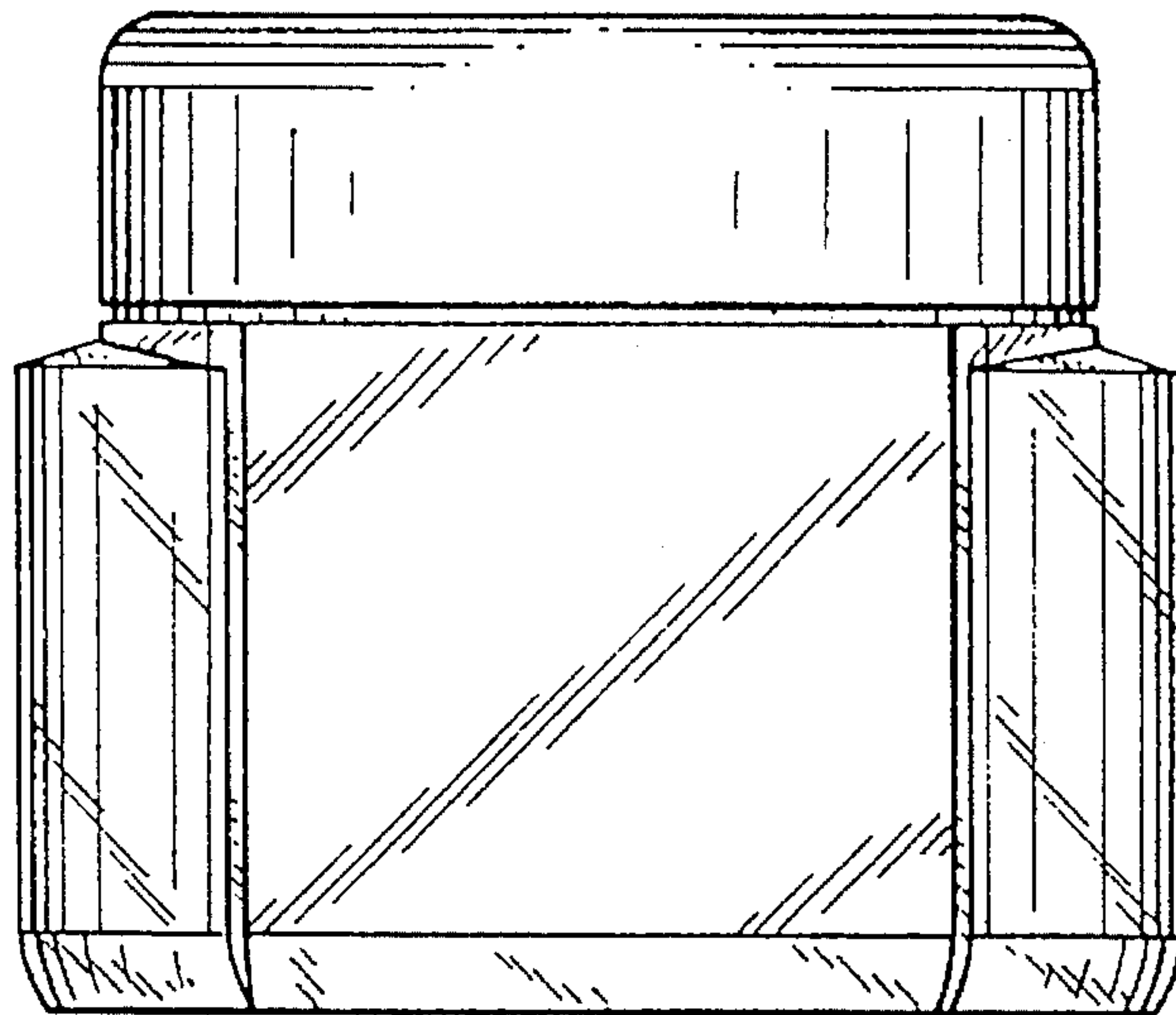


FIG. 6

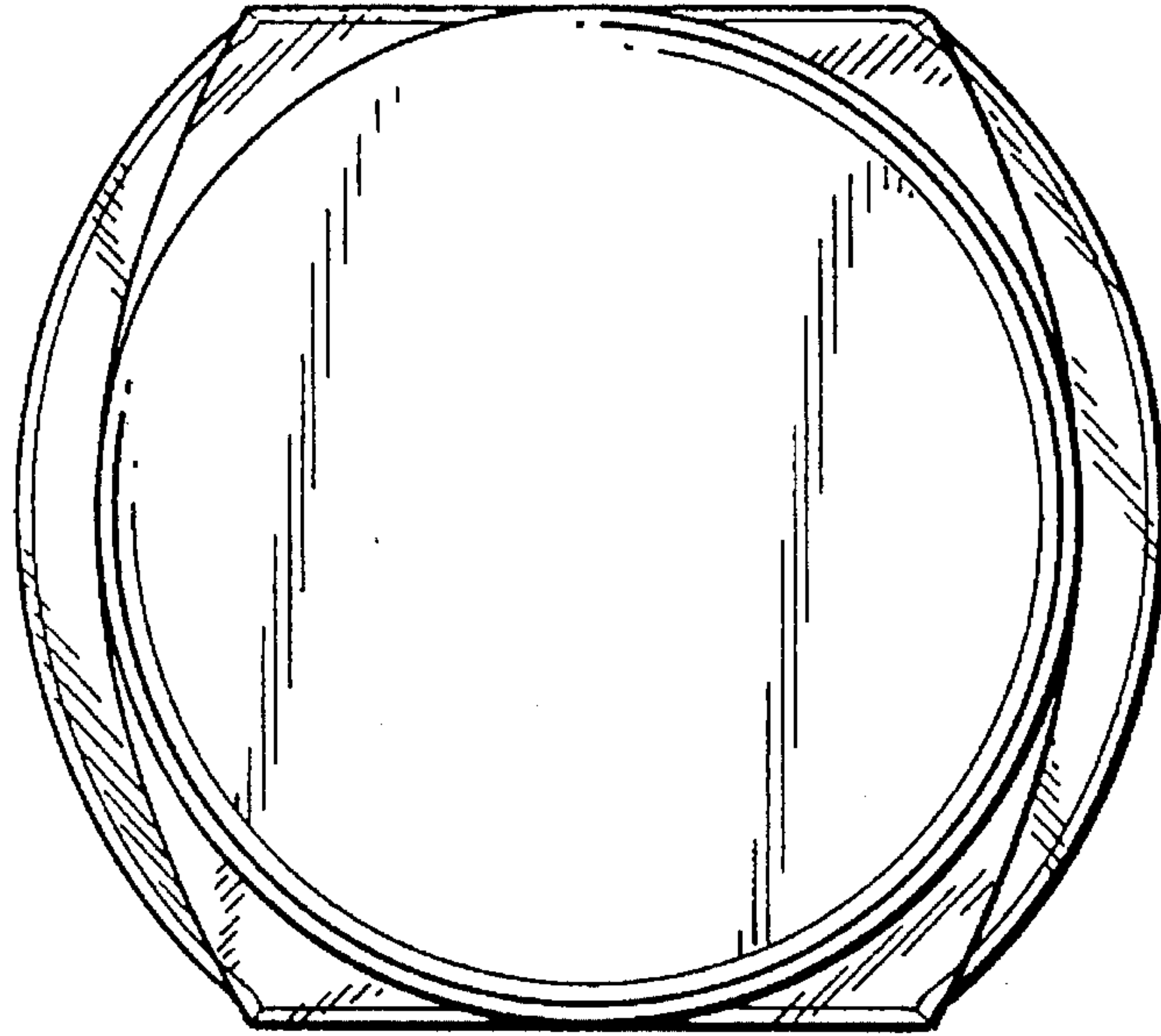


FIG. 7

