



US00D371966S

United States Patent [19]

Daansen

[11] Patent Number: **Des. 371,966**

[45] Date of Patent: ****Jul. 23, 1996**

[54] **UNIVERSAL PUMP FOR A SOAP DISPENSER**

[76] Inventor: **Warren S. Daansen**, P.O. Box 614,
Nashua, N.H. 03061

[**] Term: **14 Years**

[21] Appl. No.: **36,203**

[22] Filed: **Mar. 15, 1995**

Related U.S. Application Data

- [63] Continuation-in-part of Ser. No. 23,628, May 27, 1994.
- [52] U.S. Cl. **D9/448; D6/542**
- [58] Field of Search D6/542, 545; D7/510,
D7/511; D9/300, 302, 338, 434-436, 439-442,
447-450, 453-454, 499; D8/330, 331; 222/180-181,
189, 325, 460, 525, 541, 566-567, 570-571,
575, 207, 251, 320, 321.1; 215/211, 216,
232

[56] References Cited

U.S. PATENT DOCUMENTS

D. 57,107	2/1921	Bown	D8/14.1
D. 130,326	11/1941	Holland et al.	D8/330
D. 264,938	6/1982	Stock	D9/503
D. 280,167	8/1985	Keck	D6/545
D. 316,208	4/1991	Griffiths et al.	D7/398
D. 326,581	6/1992	Hanna et al.	D6/545
D. 327,647	7/1992	Lemme	D9/434

D. 335,256	5/1993	Slavin et al.	D9/338
D. 337,253	7/1993	Curtis et al.	D9/300
D. 351,785	10/1994	Newell	D9/300
D. 366,833	2/1996	Daansen	D9/447
1,668,511	5/1928	McLaughlin	322/320
1,691,861	11/1928	Stout	222/320
2,309,593	3/1934	Beall, Jr.	D9/442
2,412,295	12/1946	Shaffer, Jr.	222/181.2 X
2,630,006	3/1953	Leach	222/320
3,011,528	12/1961	Puplidy	222/320
4,967,931	11/1990	Devries	222/571 X
5,375,745	12/1994	Ritsche	222/321

Primary Examiner—Jeffrey Asch
Attorney, Agent, or Firm—Vernon C. Maine

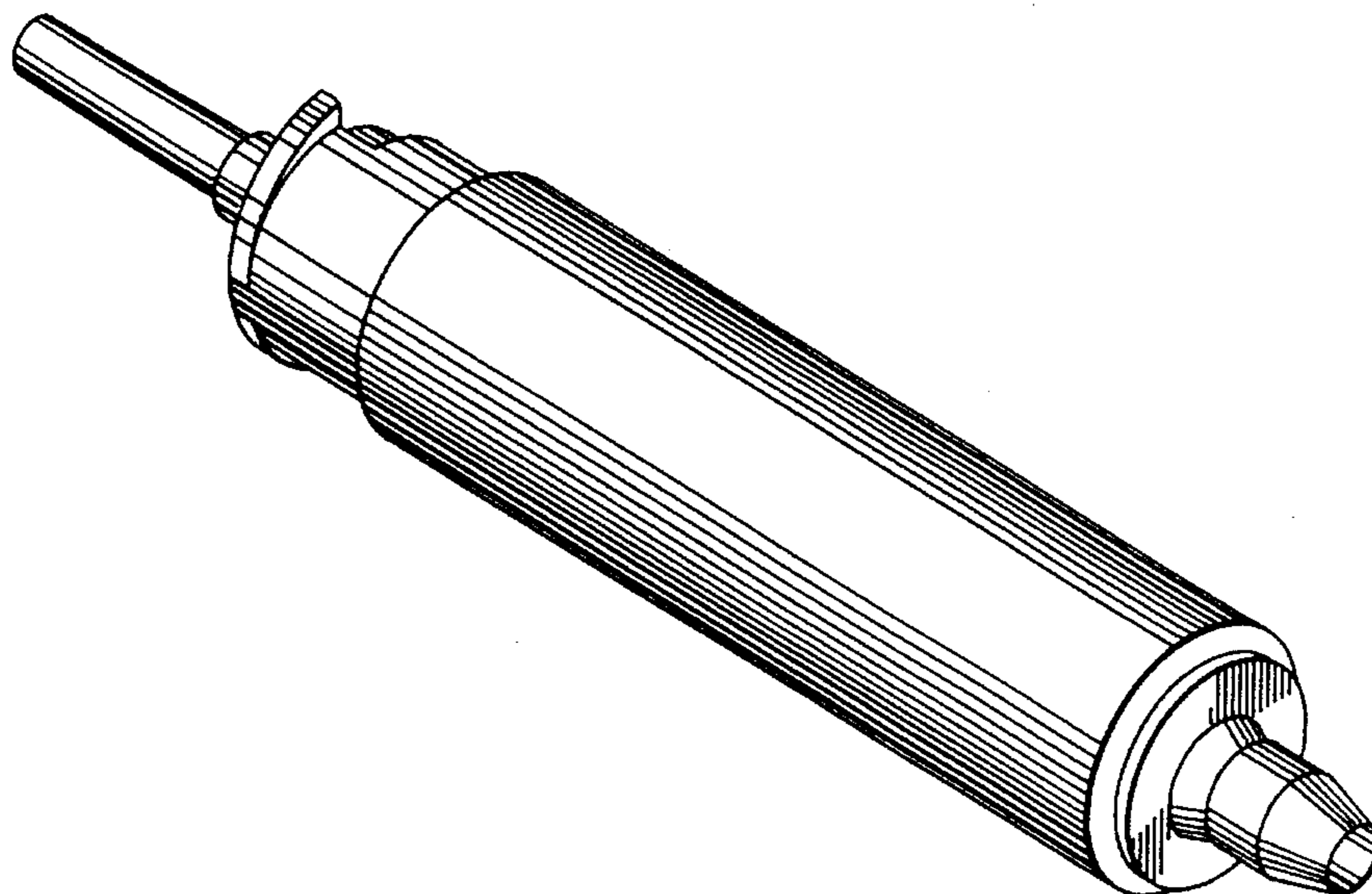
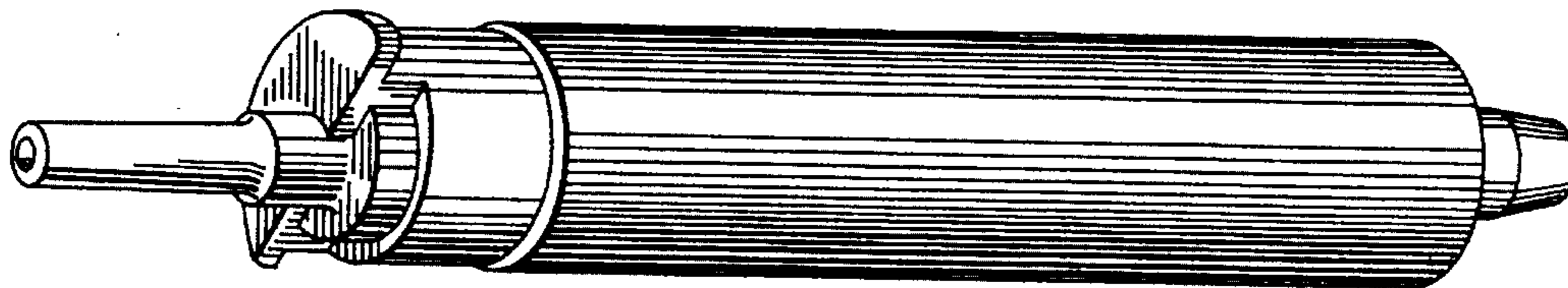
[57] CLAIM

The ornamental design for a universal pump for a soap dispenser, as shown and described.

DESCRIPTION

FIG. 1 is a lower-end and side perspective view of the universal pump for a soap dispenser showing my new design;
 FIG. 2 is an upper-end and side perspective view thereof;
 FIG. 3 is a lower-end elevation thereof;
 FIG. 4 is an upper end elevation thereof;
 FIG. 5 is a right side elevation thereof;
 FIG. 6 is a back side elevation thereof; and,
 FIG. 7 is a front side elevation thereof.

1 Claim, 2 Drawing Sheets



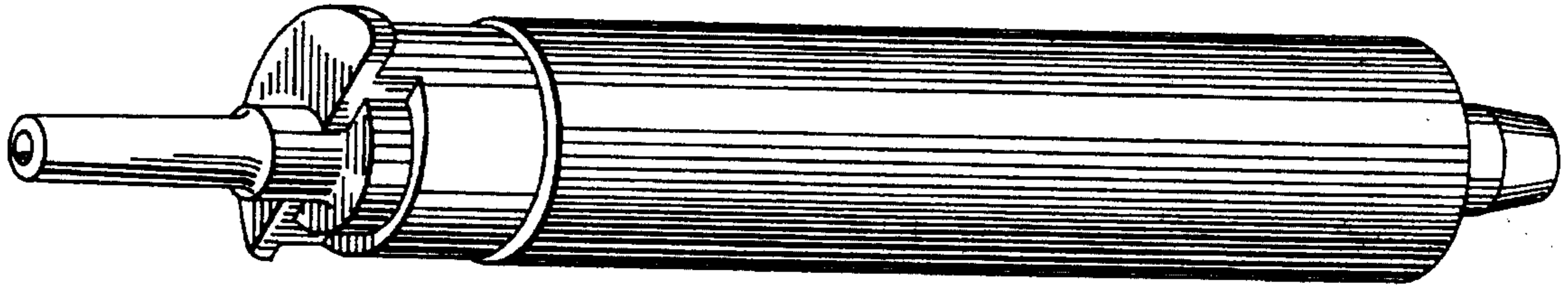


FIG. 1

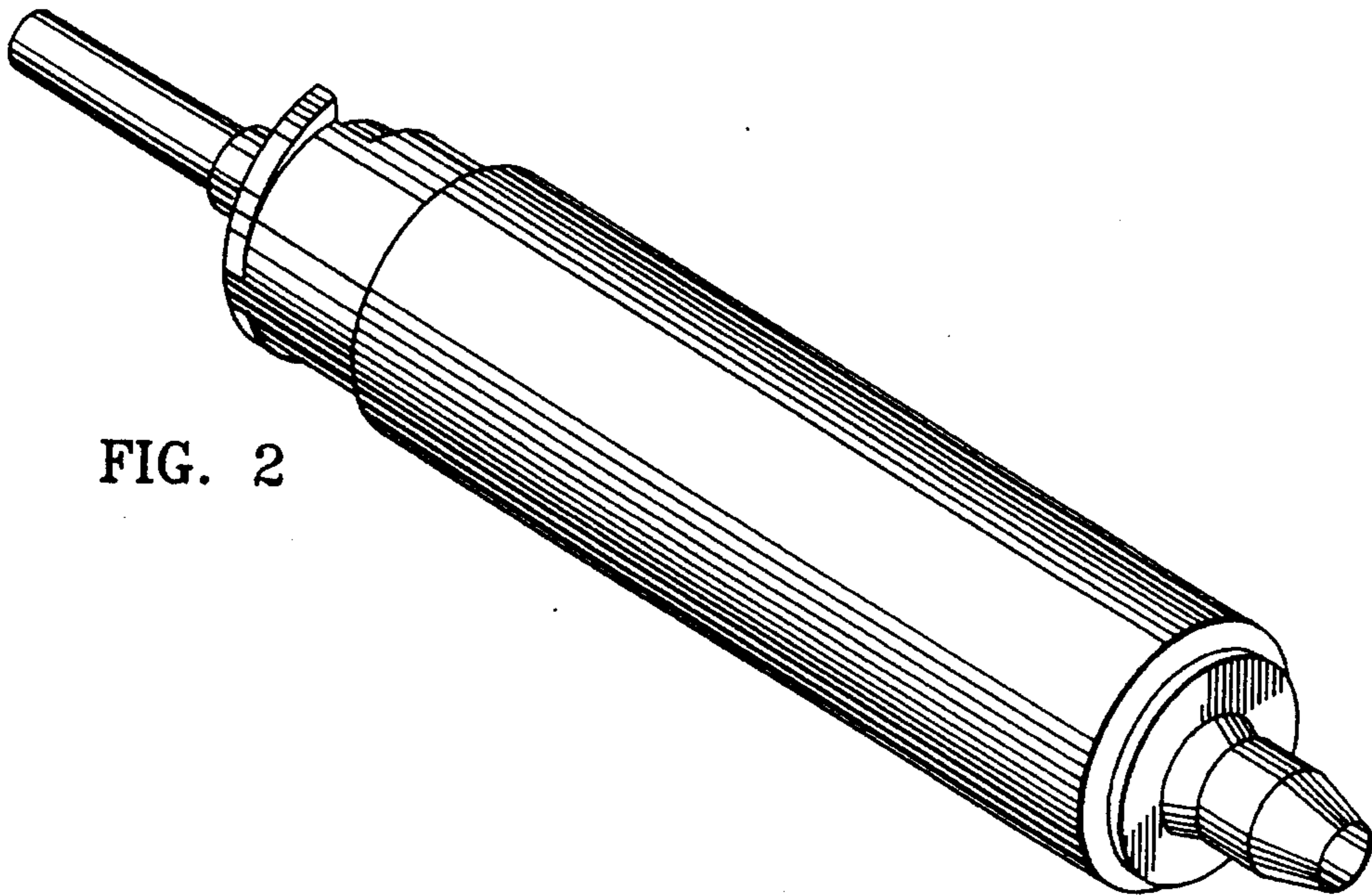


FIG. 2

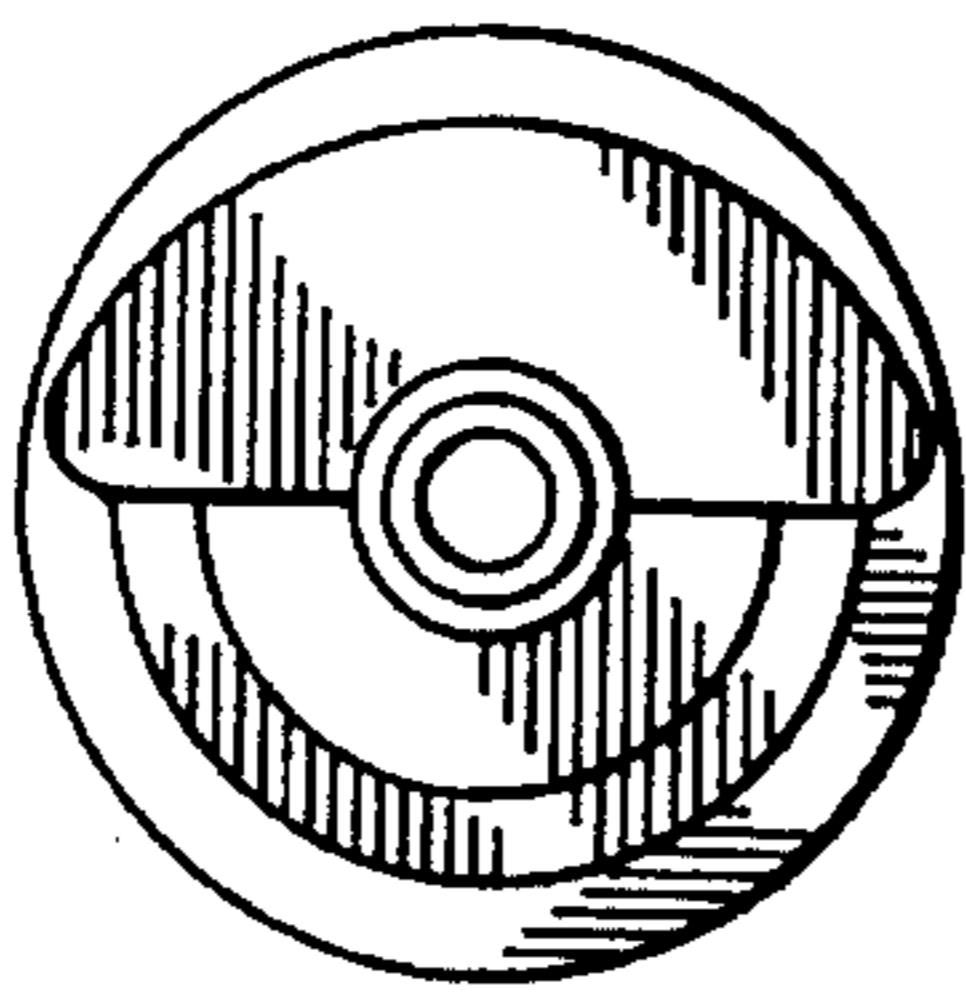


FIG. 3

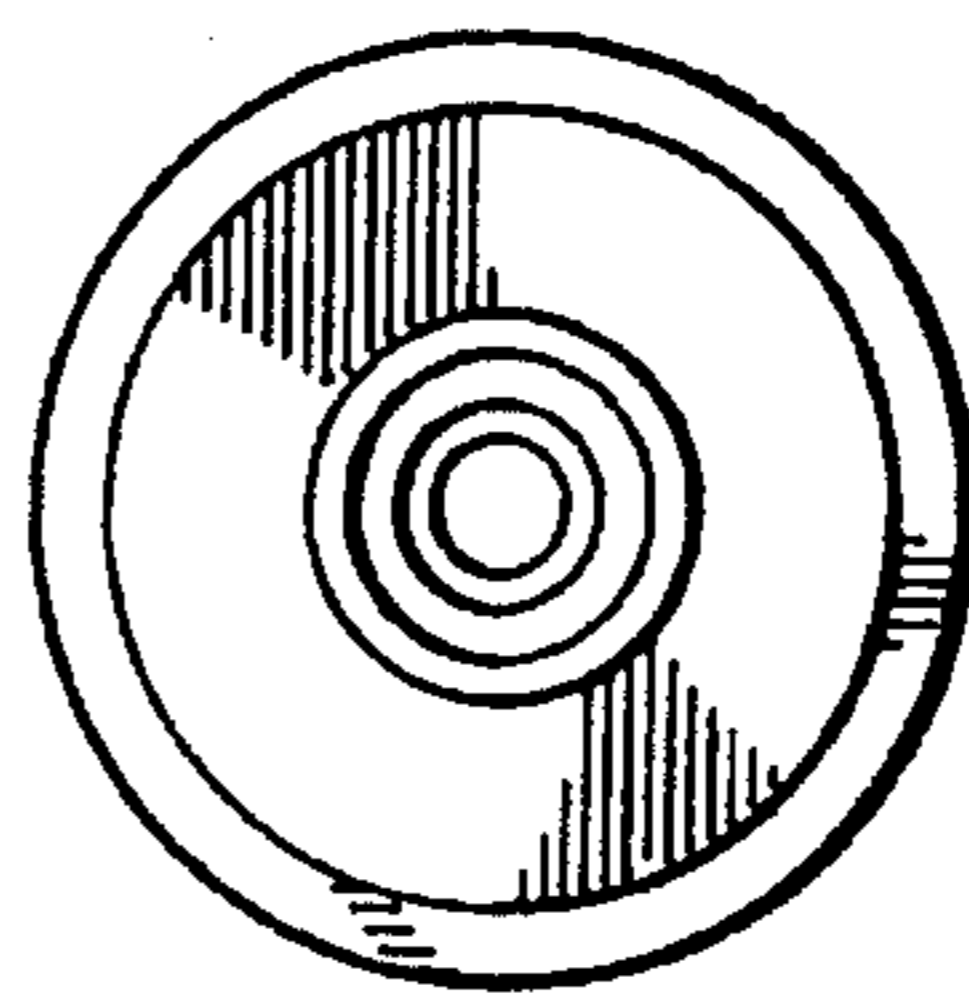


FIG. 4

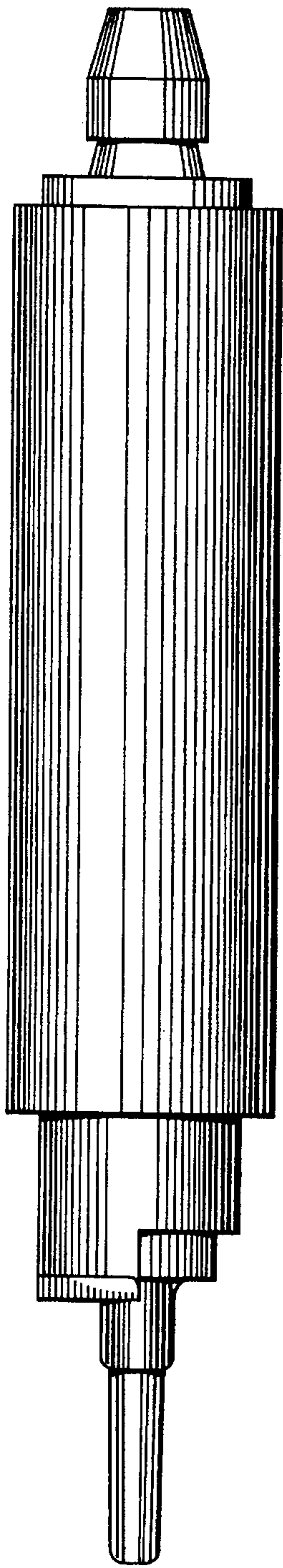


FIG. 5

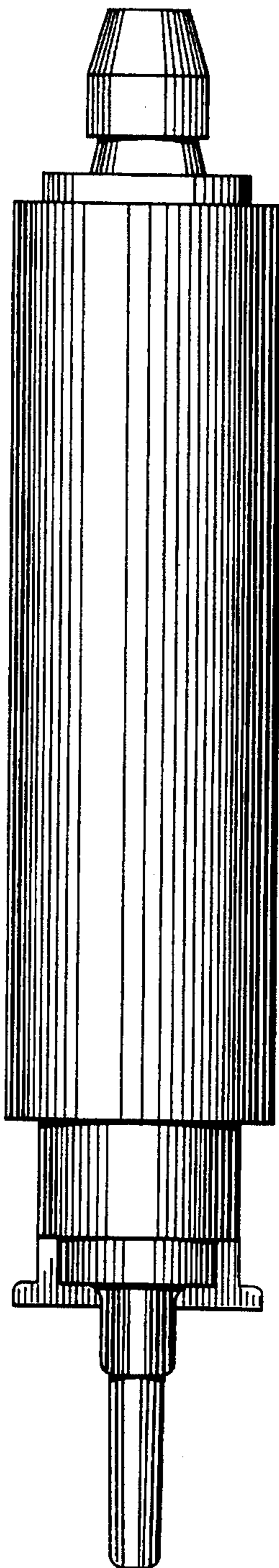


FIG. 6

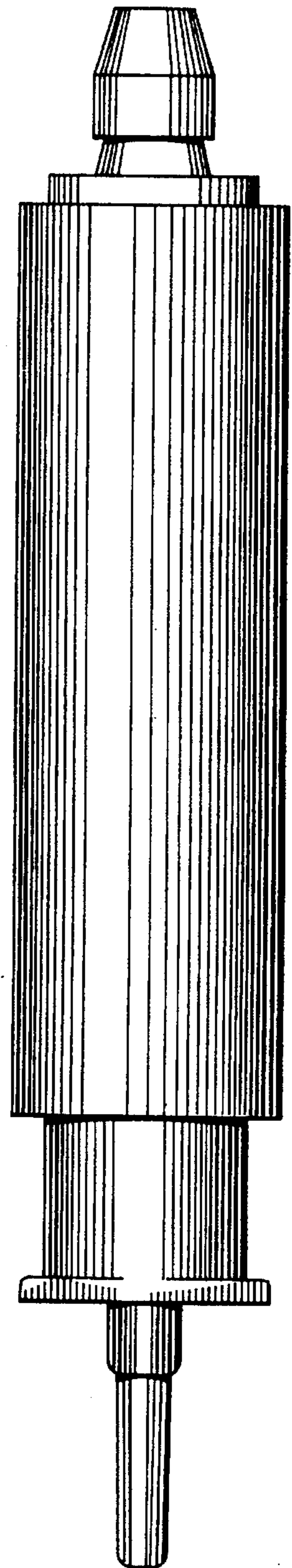


FIG. 7