



US00D371964S

United States Patent [19] Krupa

[11] Patent Number: **Des. 371,964**

[45] Date of Patent: ****Jul. 23, 1996**

[54] **BASE FOR ANGEL FOOD CAKES**

[75] Inventor: **Calvin S. Krupa**, Medina, Minn.

[73] Assignee: **Ultra Pac, Inc.**

[**] Term: **14 Years**

[21] Appl. No.: **42,365**

[22] Filed: **Aug. 9, 1995**

[52] U.S. Cl. **D9/429**

[58] Field of Search D9/428, 429, 424,
D9/425; D7/602, 601, 610-641; 206/508,
518, 45.19, 45.32, 625-643

[56] **References Cited**

U.S. PATENT DOCUMENTS

- D. 345,894 4/1994 Krupa D9/429 X
- D. 346,554 5/1994 Krupa D9/429
- D. 352,000 11/1994 Hansen et al. D9/429

- D. 358,091 5/1995 Warburton D9/429
- 3,511,288 5/1970 Swett et al. 312/284 X
- 4,197,940 4/1980 DeRossett 312/284 X

Primary Examiner—Prabhakar G. Deshmukh
Attorney, Agent, or Firm—Haugen & Nikolai

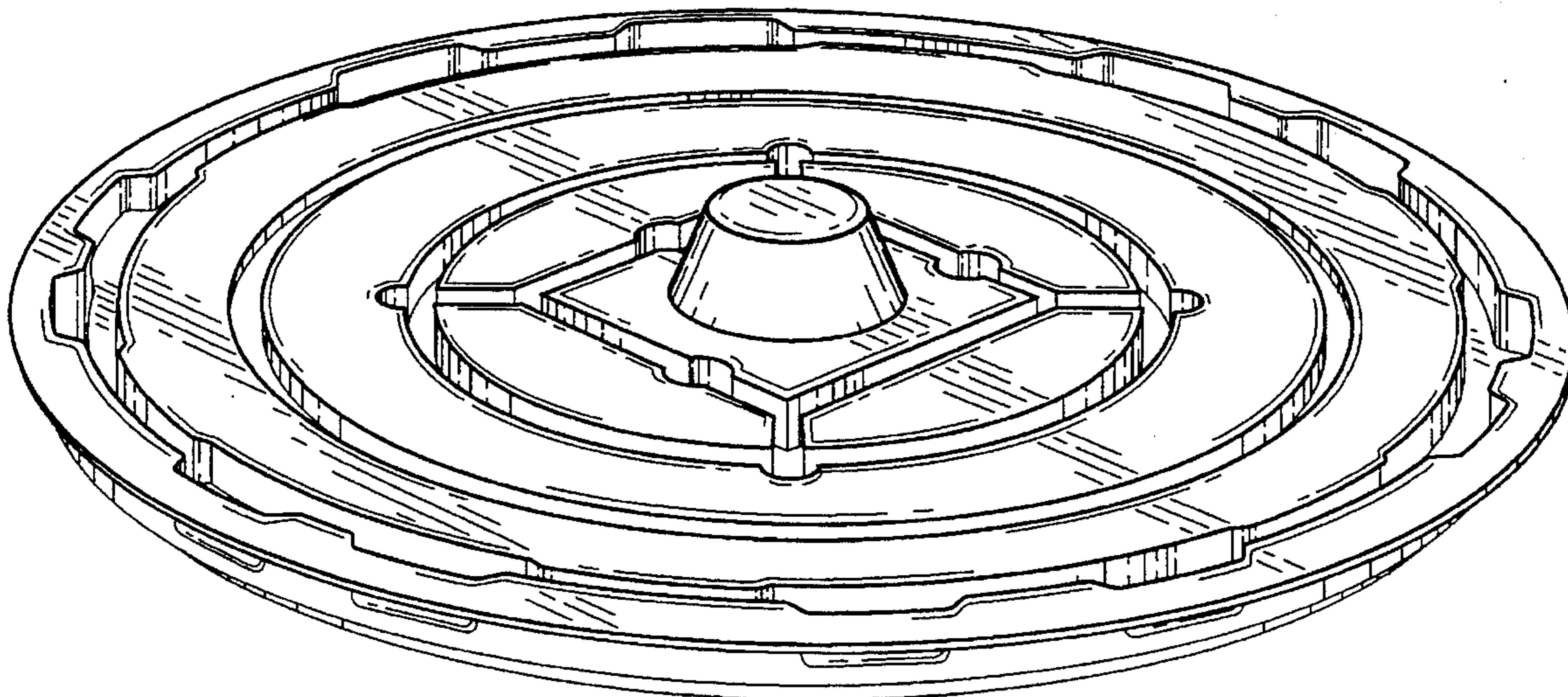
[57] **CLAIM**

The ornamental design for the base for angel food cakes, as shown and described.

DESCRIPTION

FIG. 1 is a perspective view of a base for angel food cakes showing my new design;
FIG. 2 is a top plan view thereof;
FIG. 3 is a bottom plan view thereof;
FIG. 4 is a side elevational view thereof; and,
FIG. 5 is a sectional elevational view thereof; taken along line 5—5 of FIG. 2.

1 Claim, 3 Drawing Sheets



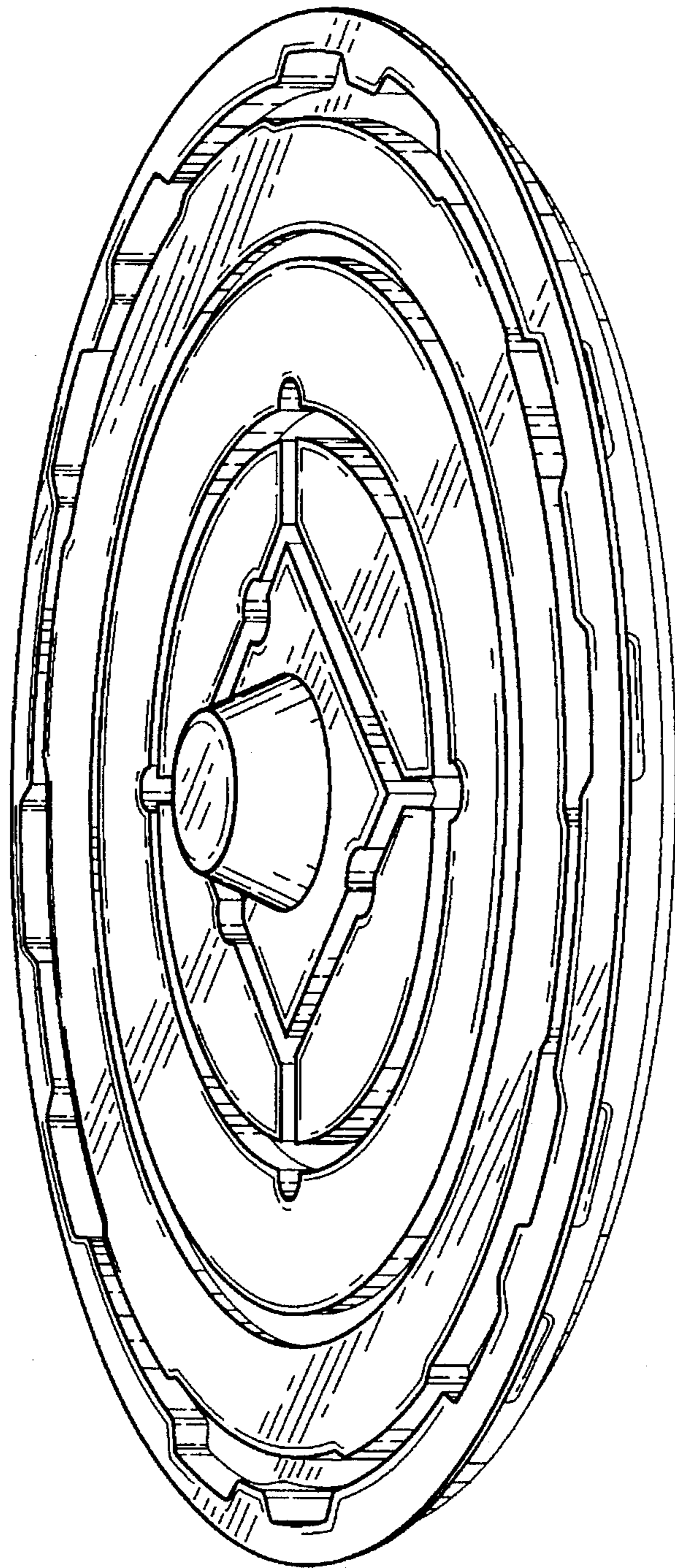


Fig. 1

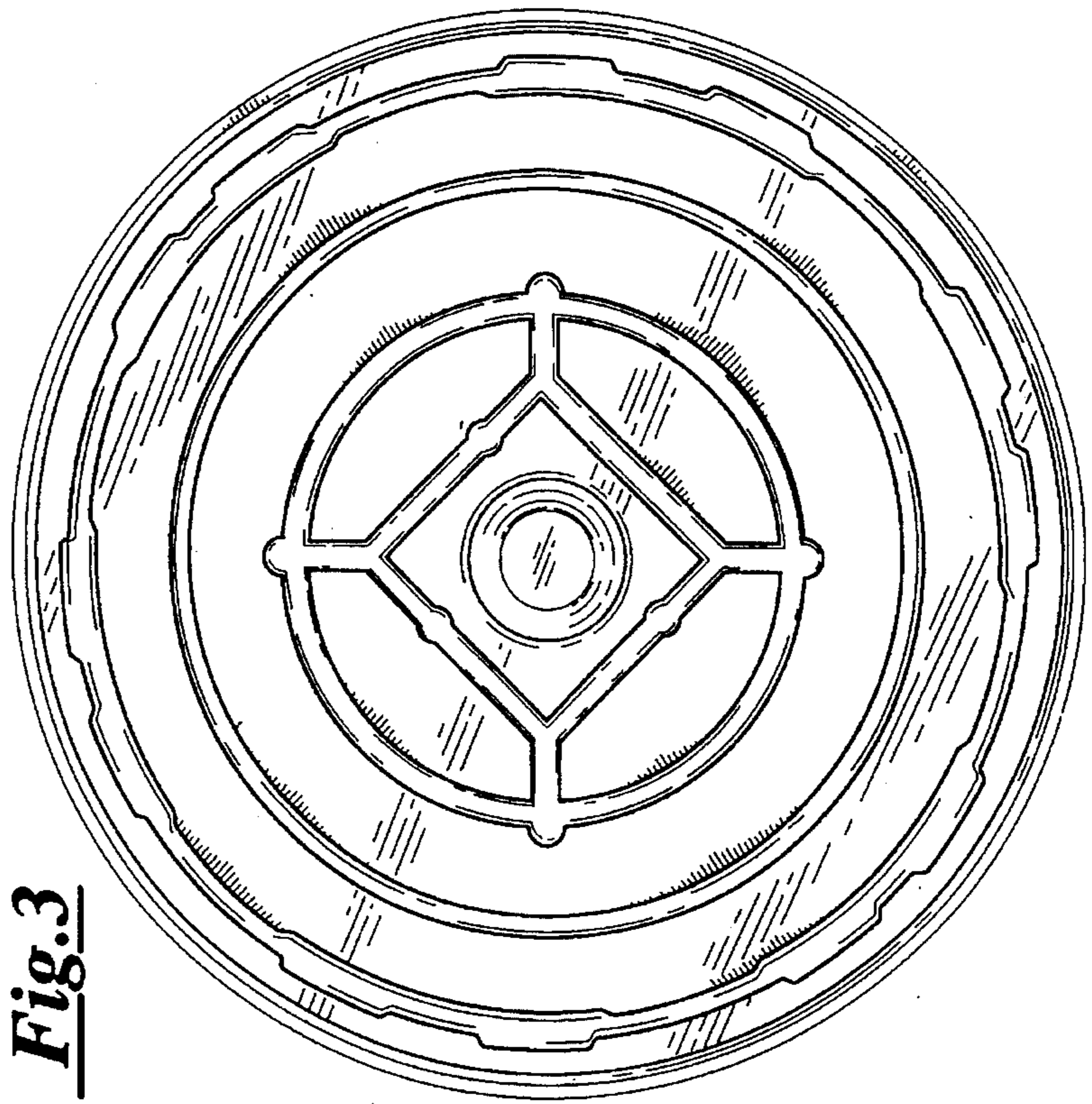


Fig. 3

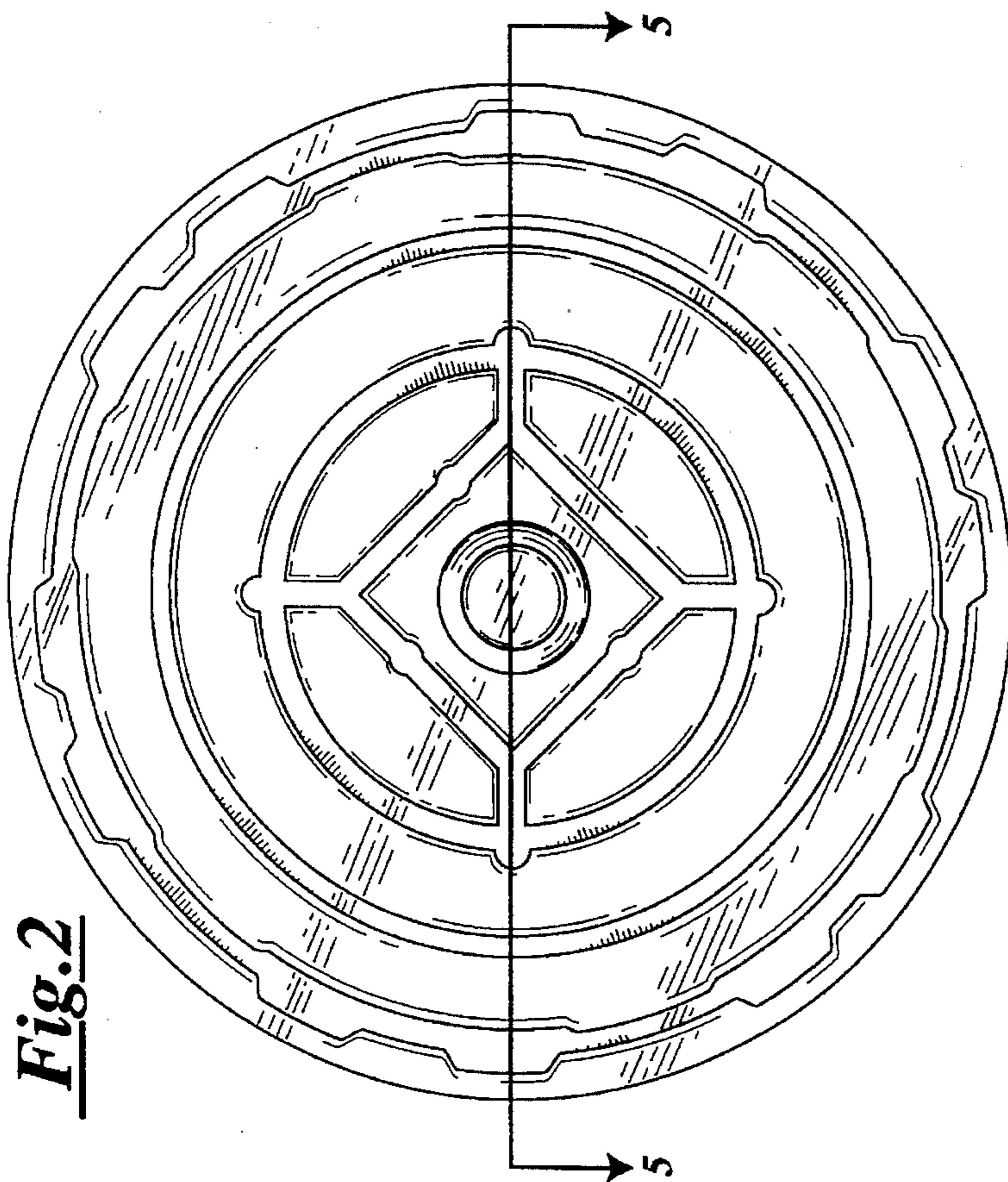


Fig. 2

Fig. 4

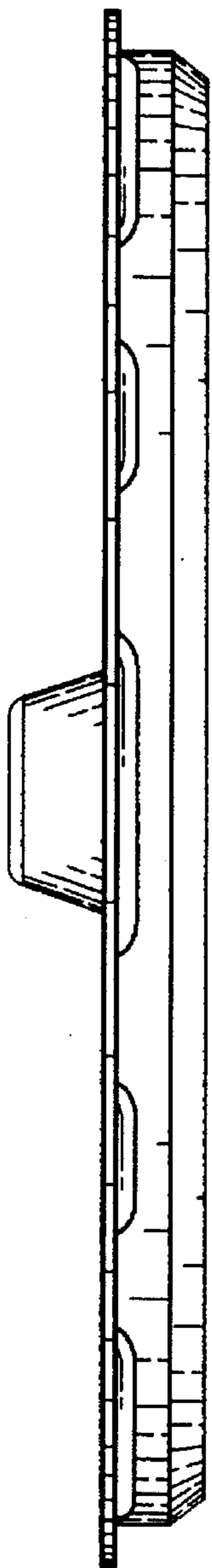


Fig. 5

