



US00D371963S

# United States Patent [19]

Ahern, Jr.

[11] Patent Number: **Des. 371,963**

[45] Date of Patent: **\*\*Jul. 23, 1996**

- [54] **FOOD STORAGE CONTAINER AND LID**
- [75] Inventor: **Richard B. Ahern, Jr.**, Akron, Ohio
- [73] Assignee: **Rubbermaid Incorporated**, Wooster, Ohio
- [\*\*] Term: **14 Years**
- [21] Appl. No.: **39,075**
- [22] Filed: **May 19, 1995**
- [52] U.S. Cl. .... **D9/428; D9/424**
- [58] Field of Search ..... **D9/429, 428, 431, D9/420, 423, 337; D7/538, 543, 602, 629; 220/306, 307, 315, 281, 260, 263, 356, 675, 662, 376, 377, 380, 352, 355, 4.24, 4.25**

[56] **References Cited**

**U.S. PATENT DOCUMENTS**

D. 269,249	6/1983	Cillario .....	D9/424
D. 309,554	7/1990	Meisner .....	D7/602
D. 329,572	9/1992	Krupa .....	D7/542
D. 330,309	10/1992	Minuti .....	D7/602 X
D. 344,210	2/1994	Cousins et al. ....	D7/538
D. 346,961	5/1994	Kupperman .....	D9/429
D. 349,005	7/1994	Cousins et al. ....	D7/543
D. 350,843	9/1994	Van Valkenburg et al. ....	D7/614
D. 352,423	11/1994	Laib .....	D7/538
D. 354,436	1/1995	Krupa .....	D9/423
D. 355,814	2/1995	Van Valkenburg et al. ....	D7/629
D. 357,161	4/1995	Booten .....	D7/605
3,347,714	6/1969	Elliot .....	D9/428 X
3,424,342	1/1969	Scopp et al. ....	D9/428 X
4,561,562	12/1985	Trombly .....	220/306
4,765,506	8/1988	Fishman et al. ....	220/355
4,795,056	1/1989	Meyers .....	220/306
4,809,868	3/1989	Pomroy .....	220/260
5,036,980	8/1991	Vigue et al. ....	220/4.24 X
5,211,302	5/1993	Tiramani .....	220/4.25
5,265,749	11/1993	Zutler .....	220/4.25 X

**OTHER PUBLICATIONS**

Packaging Engineering, Feb. 1980, p. 55.  
 Modern Packaging, Jul. 1982, p. 19.  
 Catalog page, Food storage containers and lids; Eagle Affiliates Inc. 101-01 Avenue D, Brooklyn, New York 11236. Publication date 1992.  
 P. 37, Food storage containers and lids; Anchor Hocking Glass Company, a Newell Company, Lancaster, Ohio 43130. Published at least as early as Jan. 1995.  
 P. 41, Food storage containers and lids; Tupperware Home Parties, P.O. Box 2353, Orlando, Florida. Published at least as early as Jan., 1995.  
 Pp. 12 and 14, Food storage containers and lids; Tupperware Home Parties, P.O. Box 2353, Orlando, Florida. Publication dated Fall 1992.

(List continued on next page.)

*Primary Examiner*—Prabhakar G. Deshmukh  
*Attorney, Agent, or Firm*—Richard B. O’Planick; Lisa B. Riedesel

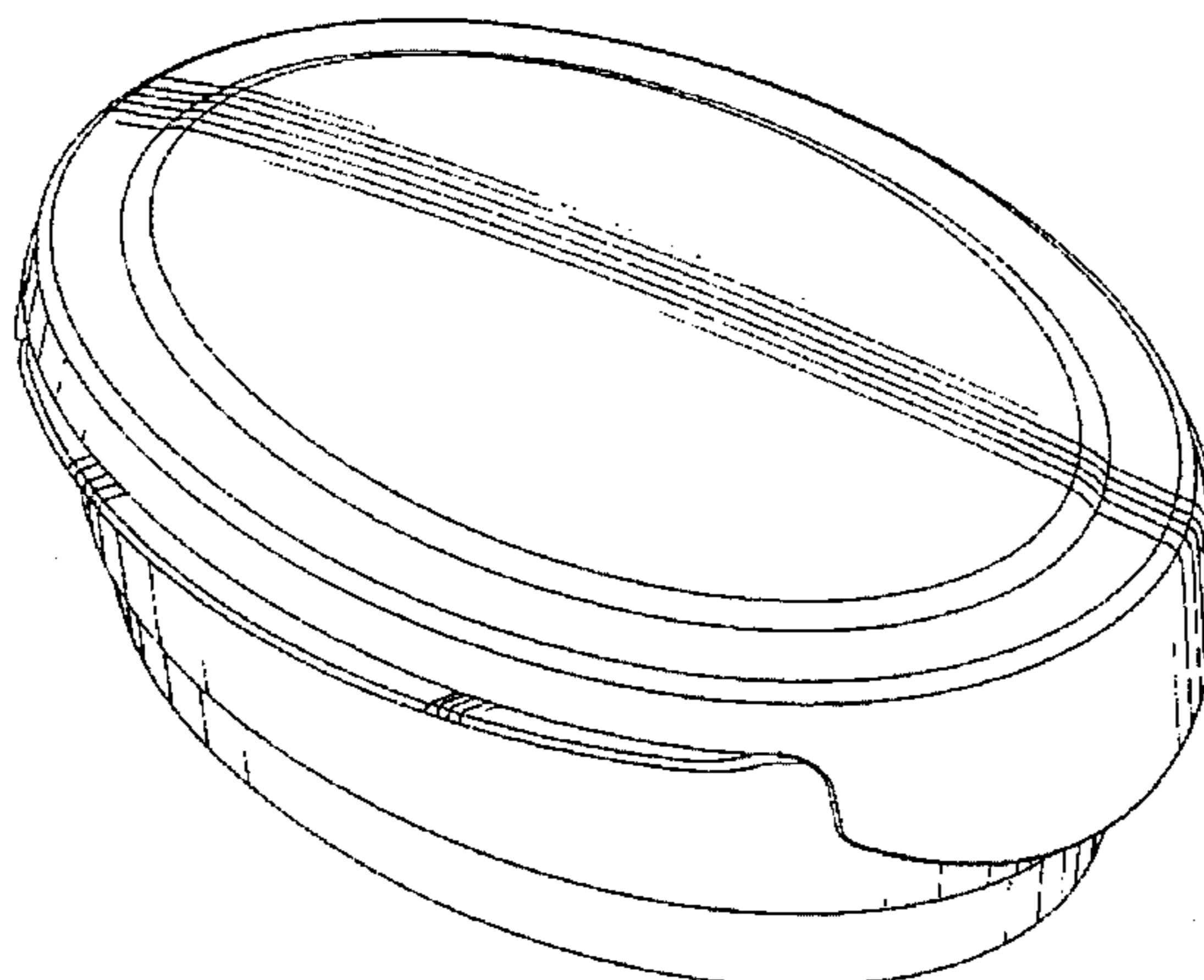
[57] **CLAIM**

The ornamental design for a food storage container and lid, as shown and described.

**DESCRIPTION**

FIG. 1 is an top right front perspective view of a food storage container and lid showing my new design;  
 FIG. 2 is a front elevational view thereof, the rear elevational view being a mirror image;  
 FIG. 3 is a right side elevational view thereof, the left elevational view being a mirror image;  
 FIG. 4 is a top plan view thereof;  
 FIG. 5 is a bottom plan view thereof;  
 FIG. 6 is a top right front perspective view of the alternate embodiment of a food storage container and lid showing my new design;  
 FIG. 7 is a top plan view of the alternate embodiment;  
 FIG. 8 is a front elevational view of the alternate embodiment; the rear elevational view being a mirror image;  
 FIG. 9 is a bottom plan view of the alternate embodiment; and,  
 FIG. 10 is a right side elevational view of the alternate embodiment; the left side elevational view being a mirror image.

**1 Claim, 5 Drawing Sheets**



**OTHER PUBLICATIONS**

Pp. 12 and 13, Food storage containers and lids; Tucker Housewares, a Mobil Company, 25 Tucker Drive, Leominster, Massachusetts 01453. Publication date 1993.

P. 12, Food storage containers and lids; Curver b.v., Takkebijsters 75, Postbus 6810, 4802 HV Breda, The Netherlands. Publication date 1992.

Pp. 20 and 23, Food storage containers and lids; Dupol-Rubbermaid GmbH, An der Trift 63, D-6072 Dreieich, West Germany. Publication dated 1989.

P. 13, Food storage containers and lids; Rubbermaid Incorporated, 1147 Akron Road, Wooster, Ohio 44691. Publication date 1986.

Catalog page, Food storage containers and lids; Rubbermaid Incorporated, 1147 Akron Road, Wooster, Ohio 44691. Publication date 1992.

Catalog page, Food storage containers and lids; Rubbermaid Incorporated, 1147 Akron Road, Wooster, Ohio 44691. Publication date 1991.

Catalog page, Food storage containers and lids; Rubbermaid Incorporated, 1147 Akron Road, Wooster, Ohio 44691. Publication date 1995.

Catalog page, Food storage containers and lids; Rubbermaid Incorporated, 1147 Akron Road, Wooster, Ohio 44691. Publication date 1995.

Catalog page, Food storage containers and lids; Rubbermaid Incorporated, 1147 Akron Road, Wooster, Ohio 44691. Publication date 1992.

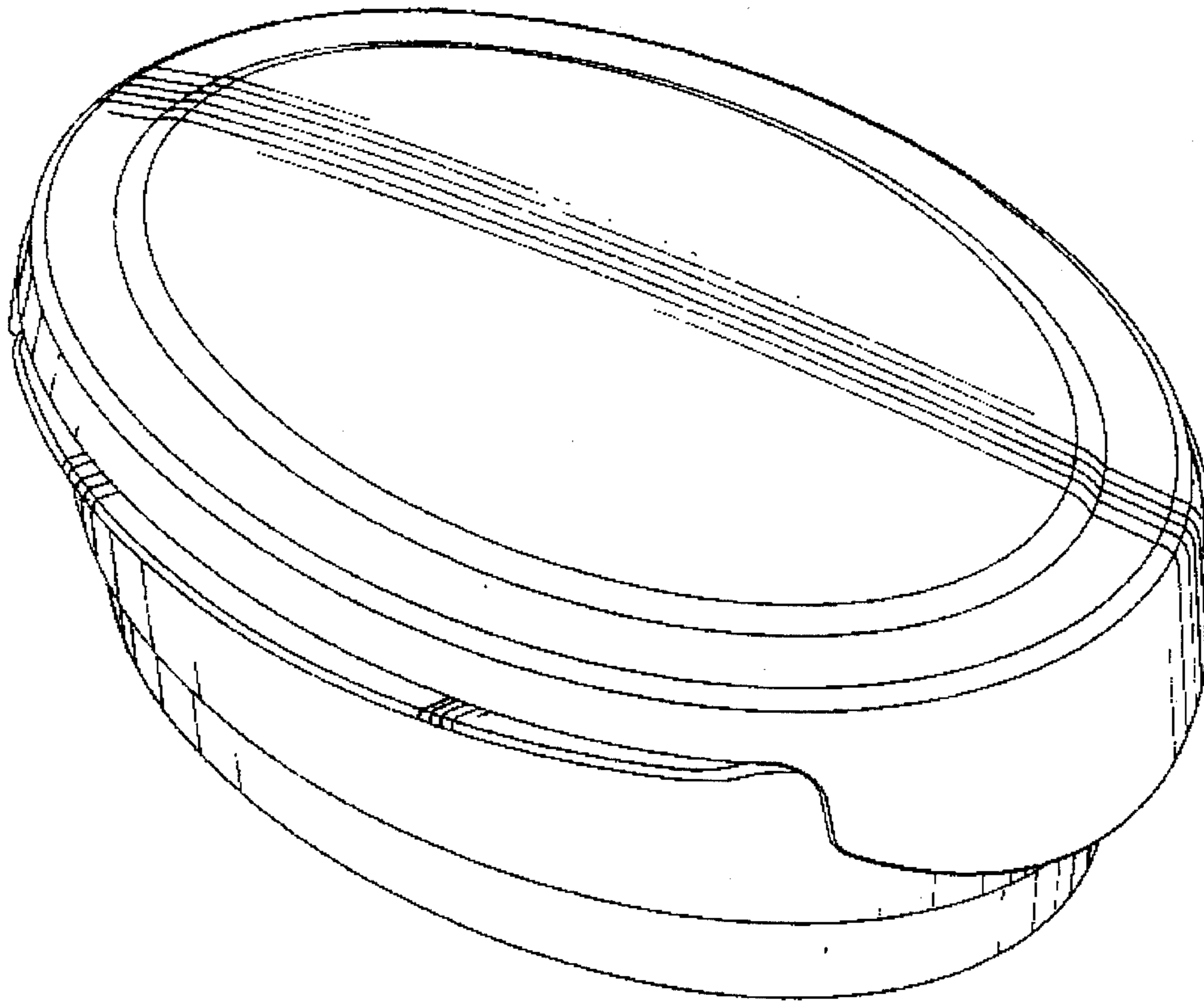


Fig-1

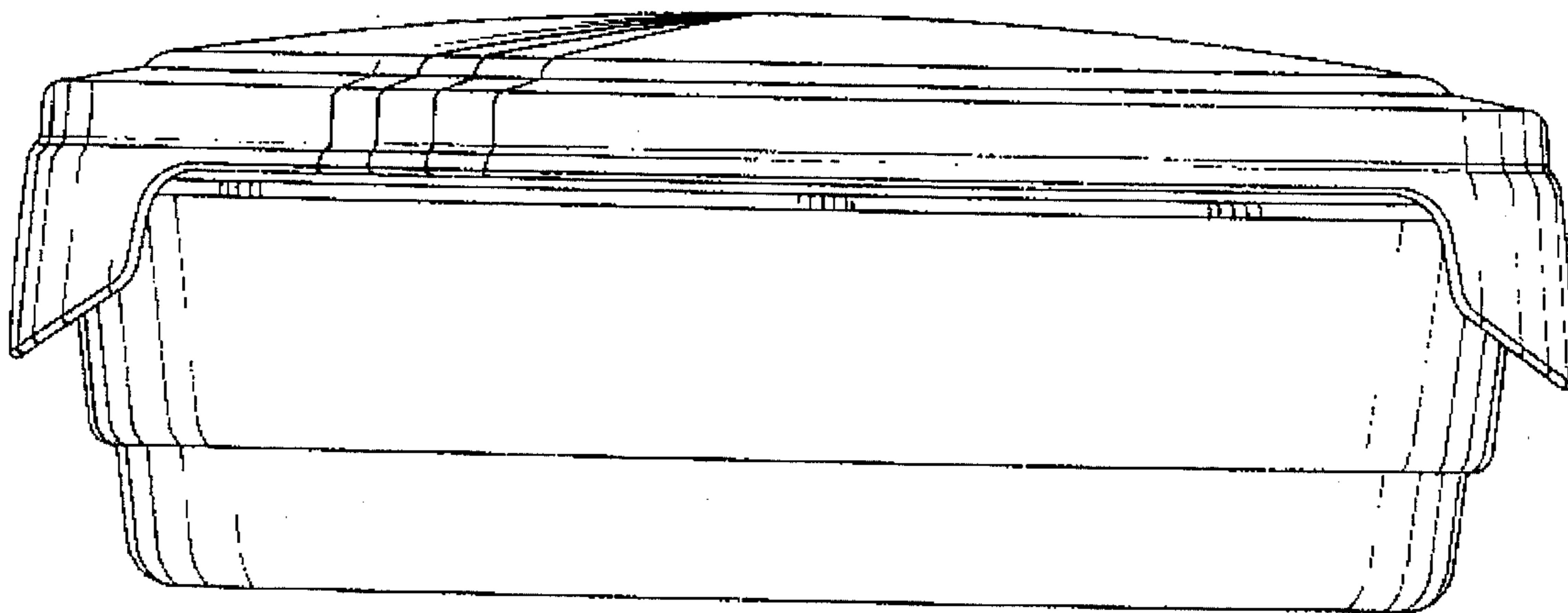


Fig-2

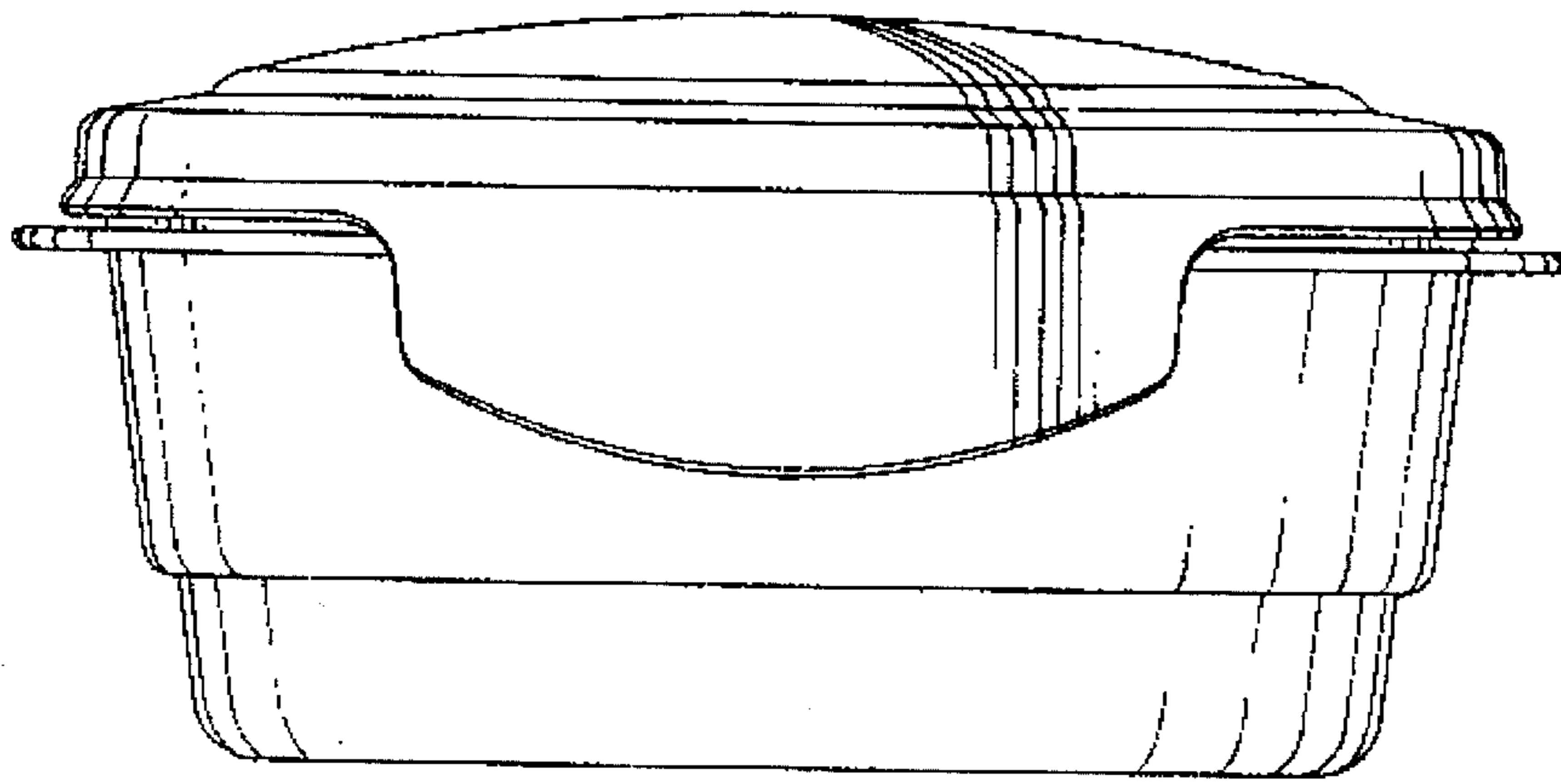


Fig-3

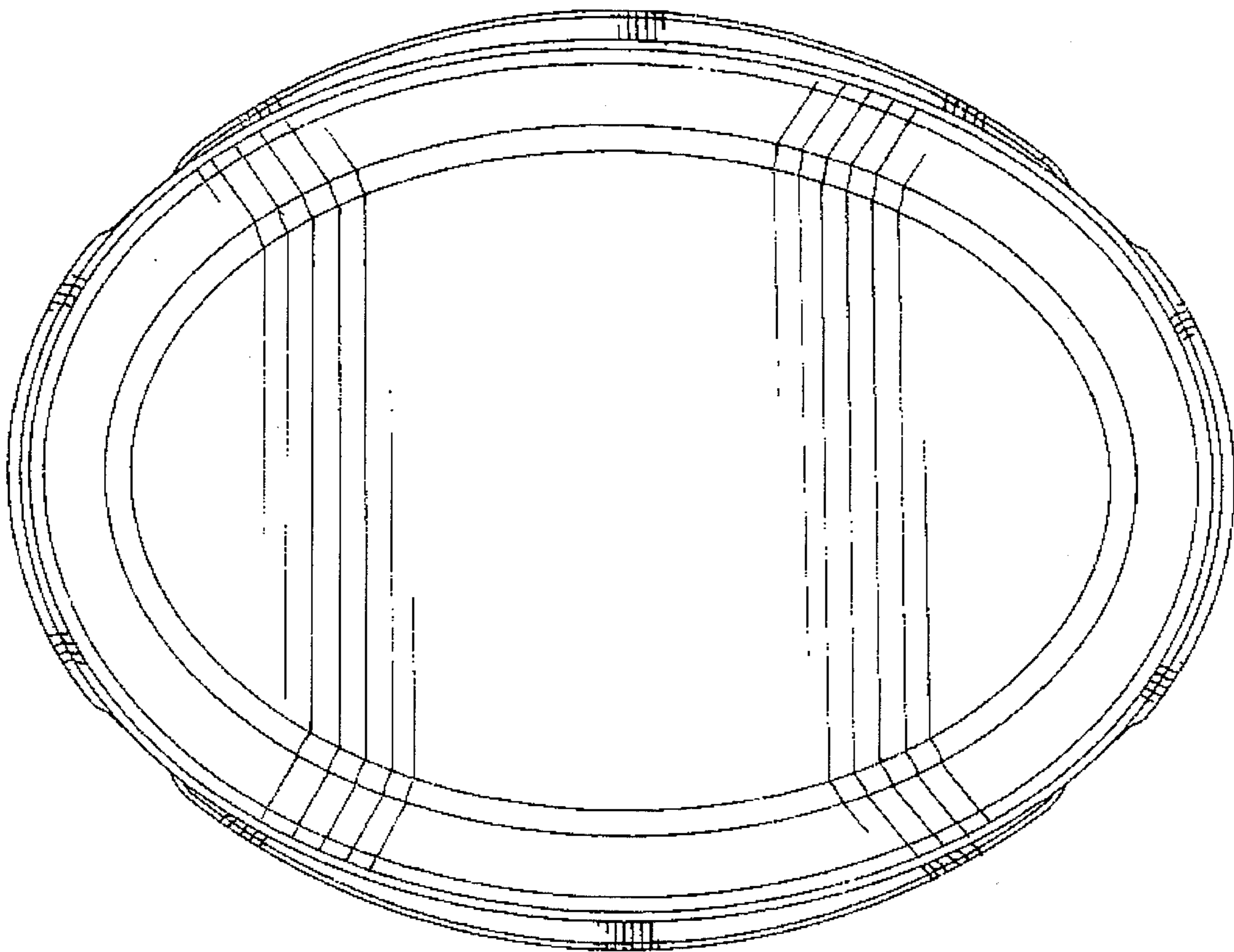


Fig-4

Fig-5

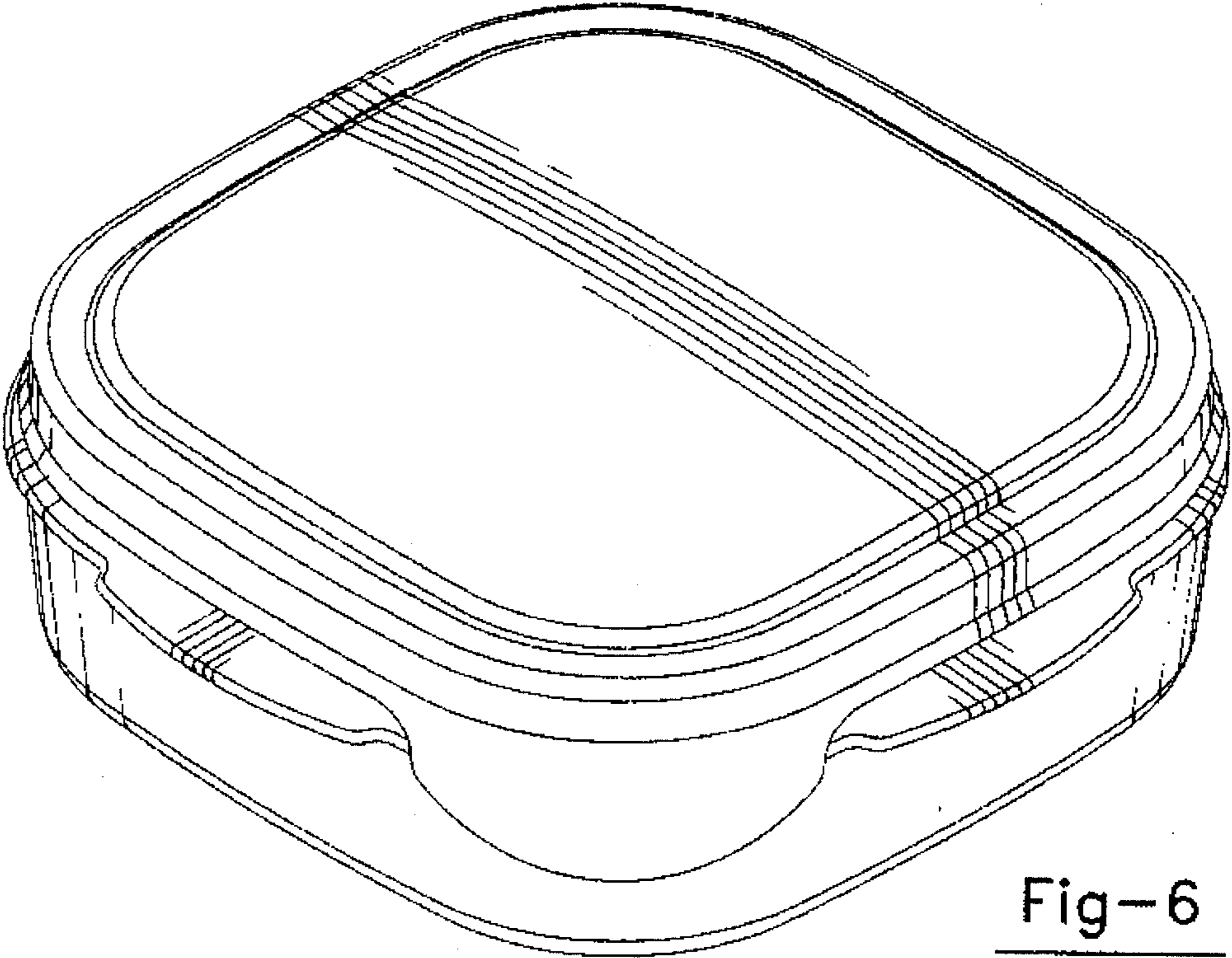
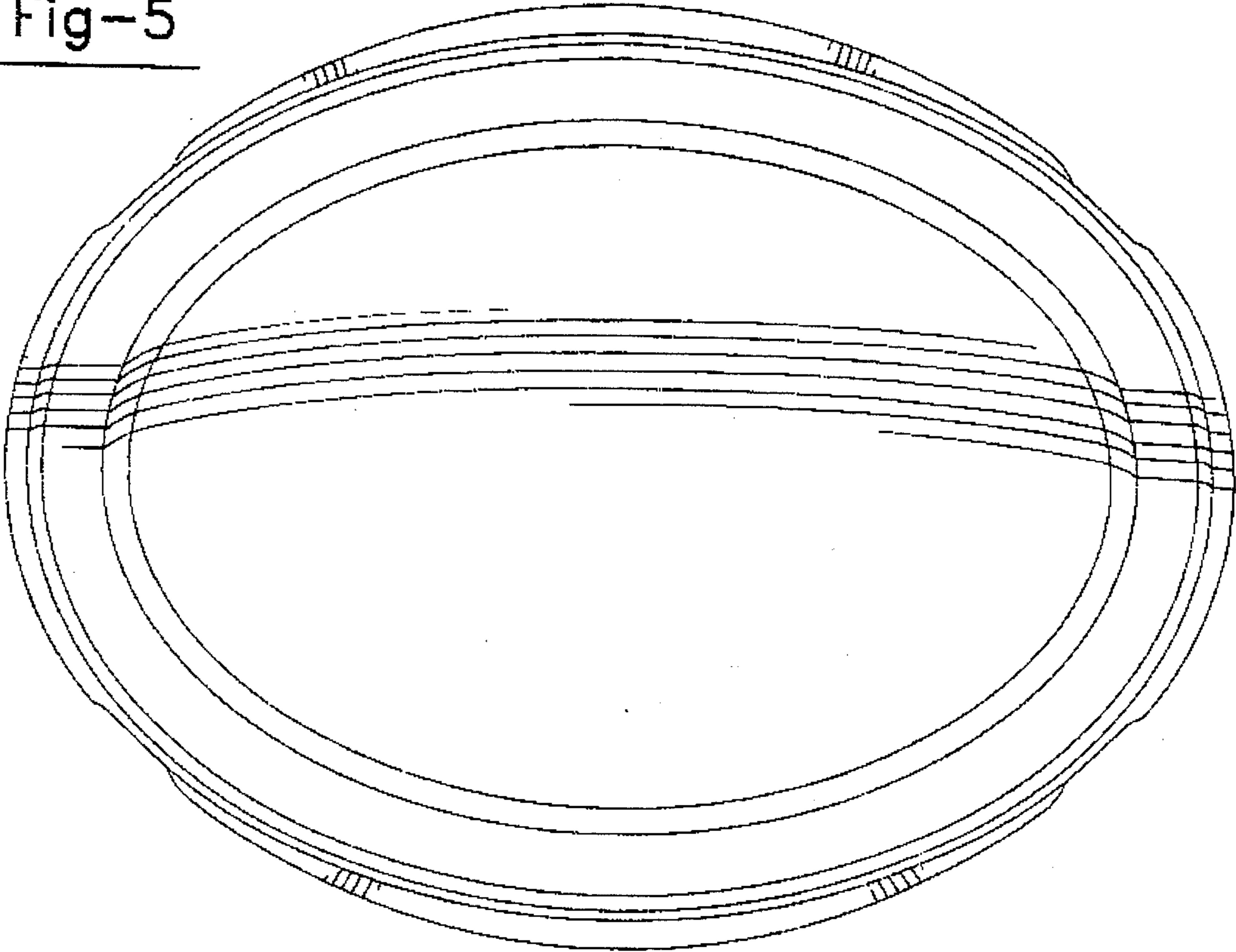


Fig-6

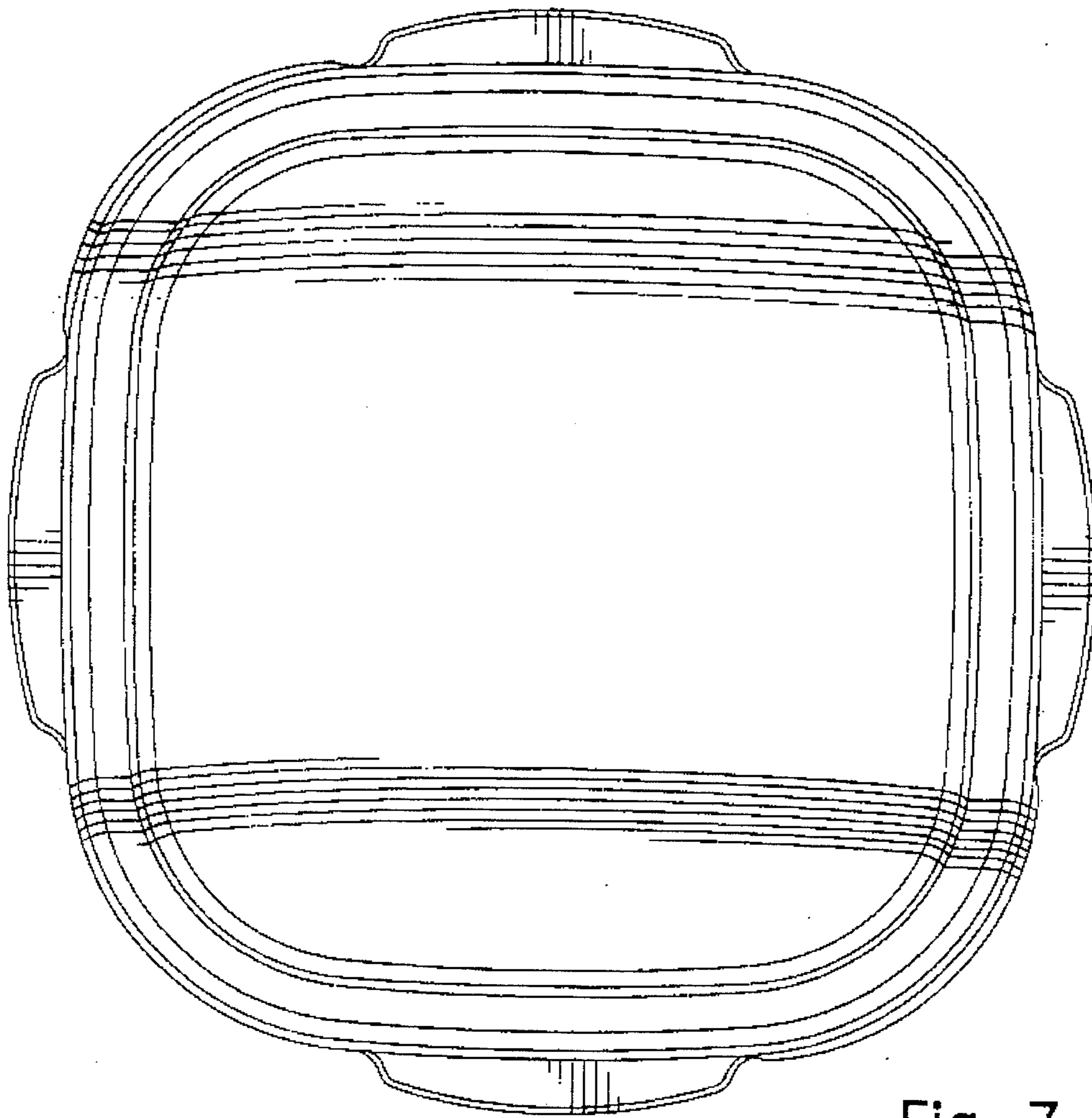


Fig-7

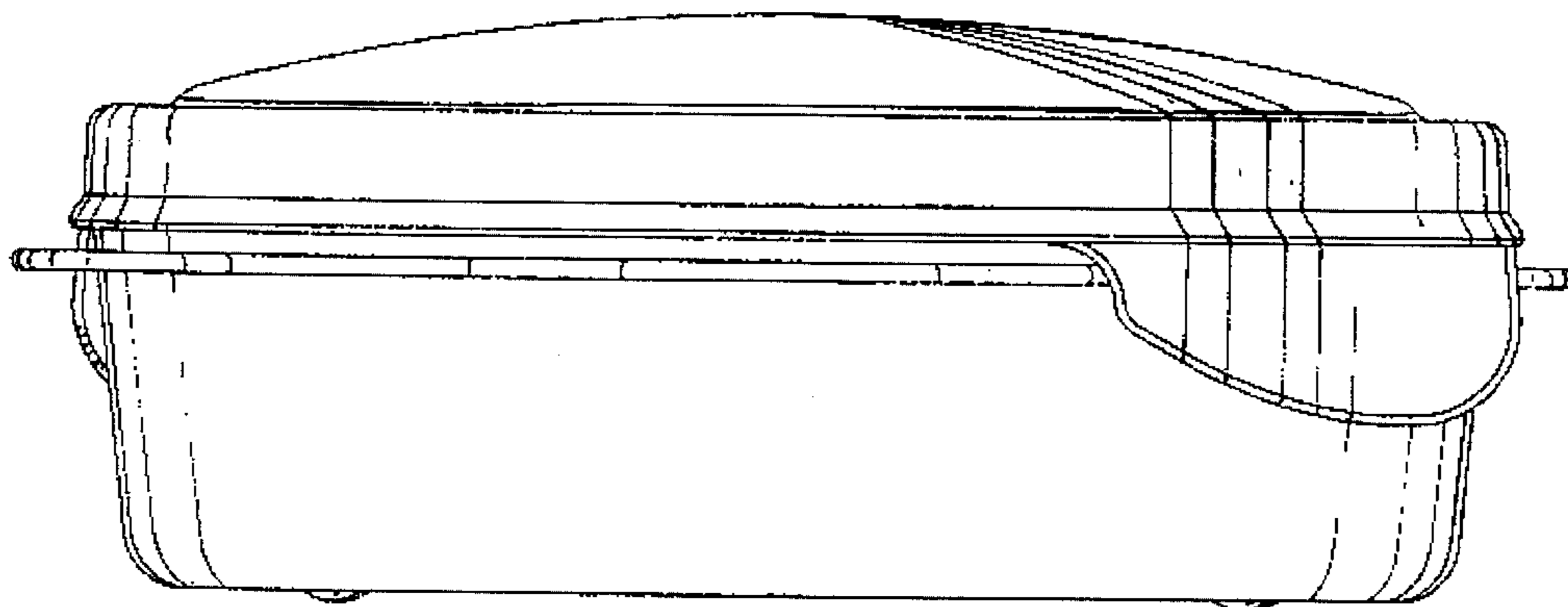


Fig-8

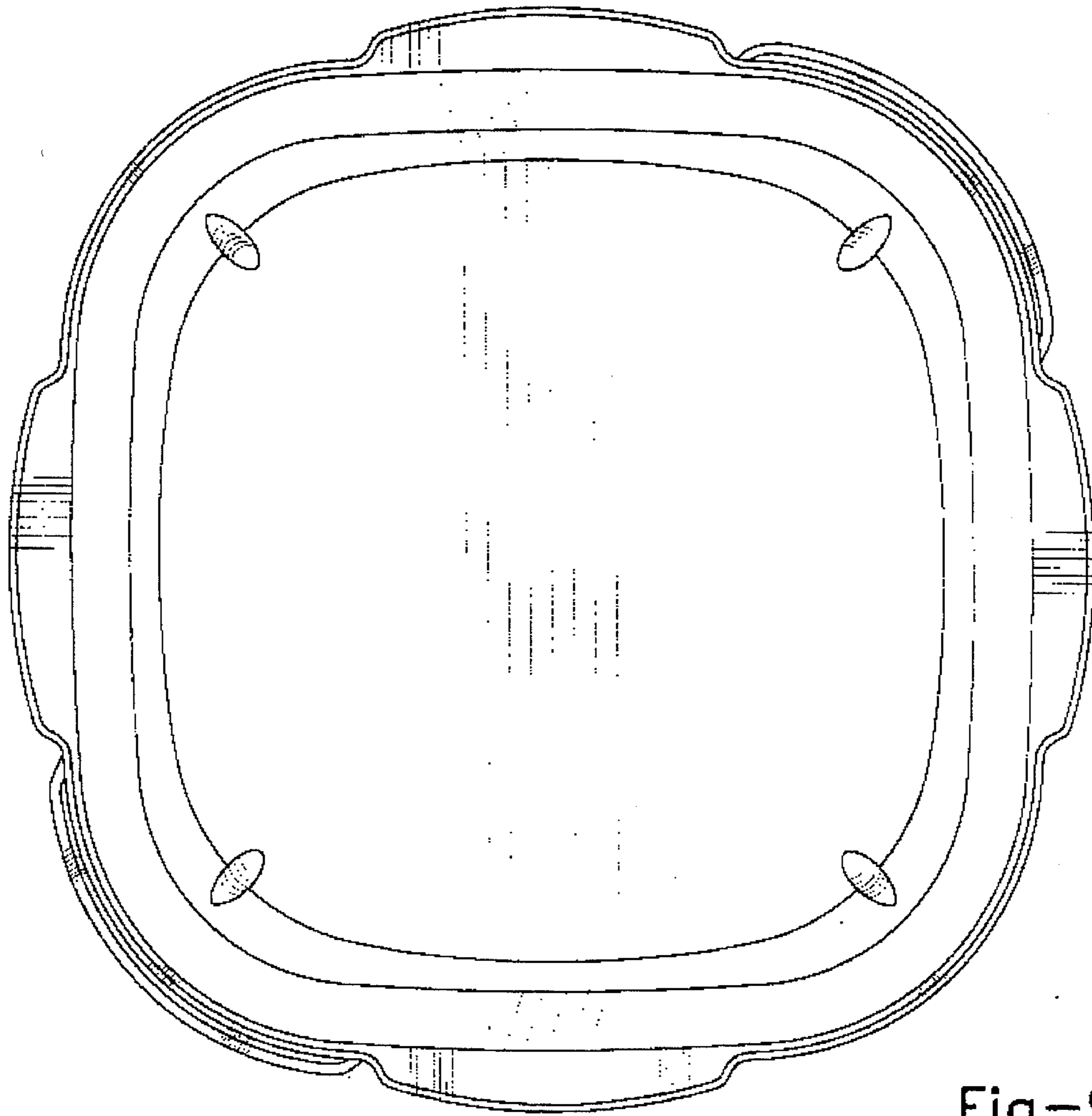


Fig-9

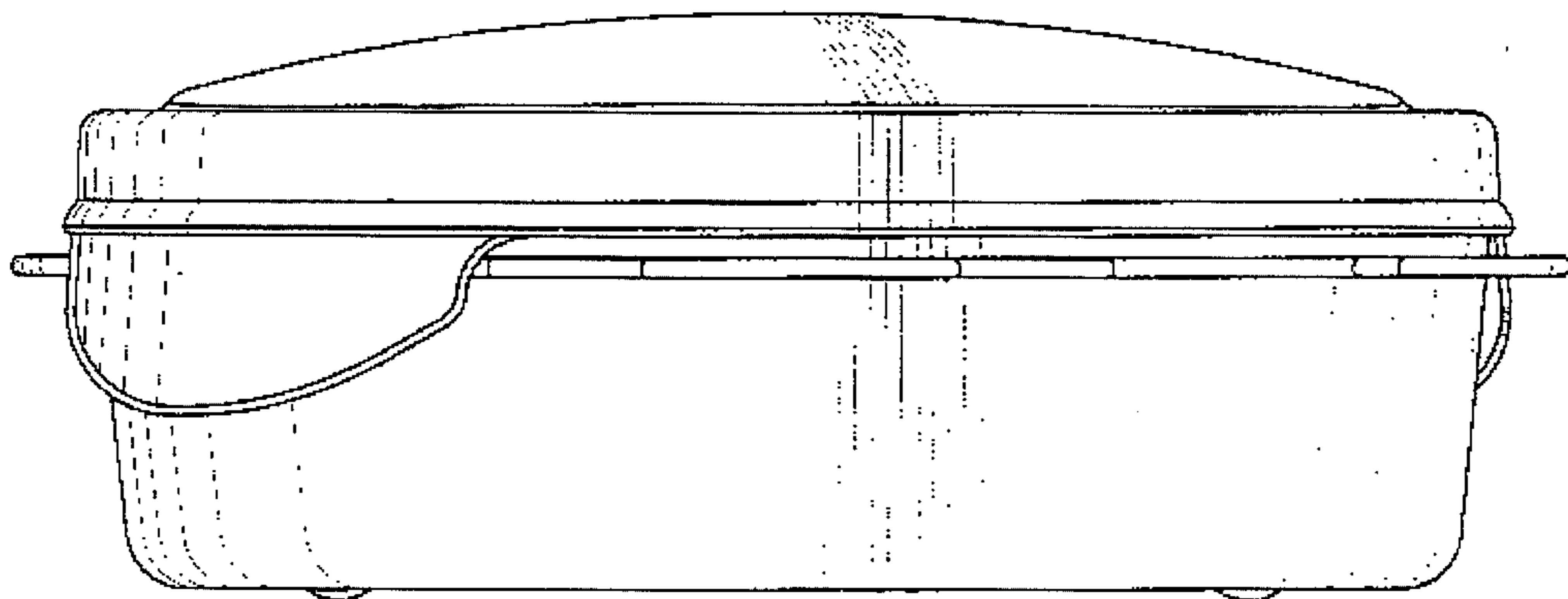


Fig-10