



US00D371960S

United States Patent [19] Cheng

[11] Patent Number: **Des. 371,960**

[45] Date of Patent: ****Jul. 23, 1996**

[54] **CAKE GIFT BOX**

[76] Inventor: **Kui-Eng Cheng**, 99 Glencairn Street,
Toronto, Ontario, Canada, M4R 1M7

[**] Term: **14 Years**

[21] Appl. No.: **33,821**

[22] Filed: **Jan. 20, 1995**

[52] U.S. Cl. **D9/329; D1/129; D2/869;
D9/320**

[58] Field of Search **D9/329, 307, 428,
D9/429; D1/129, 130; D2/865, 868, 869,
885, 886, 887, 895; 2/175.8; 206/457, 8,
45.19, 45.32**

[56] **References Cited**

U.S. PATENT DOCUMENTS

D. 24,032	2/1895	Tolman	D9/320
D. 153,916	5/1949	Berg	D9/317
D. 157,043	1/1950	Gruber et al.	D9/329
D. 183,456	9/1958	Henderson et al.	D9/329
3,690,902	9/1972	Dahl	206/45.32 X
4,219,119	8/1980	Zefran	206/457

4,461,790	7/1984	Snider	206/457 X
4,705,163	11/1987	James	206/45.32
4,867,303	9/1989	Beckerman et al.	206/45.32
5,372,533	12/1994	Sujack	446/488 X

Primary Examiner—Prabhakar G. Deshmukh

Assistant Examiner—Cheri Cohen

Attorney, Agent, or Firm—Kirschstein, et al.

[57] **CLAIM**

The ornamental design for a cake gift box, as shown and described.

DESCRIPTION

FIG. 1 is a perspective view of a cake gift box showing my new design;

FIG. 2 is a top plan view thereof;

FIG. 3 is a front elevational view thereof, the rear elevational view being a mirror image;

FIG. 4 is a right side elevational view thereof, the left side being a mirror image; and,

FIG. 5 is an exploded, perspective view thereof showing the interior of the gift box.

The bottom plan view is plain and unornamented.

1 Claim, 2 Drawing Sheets

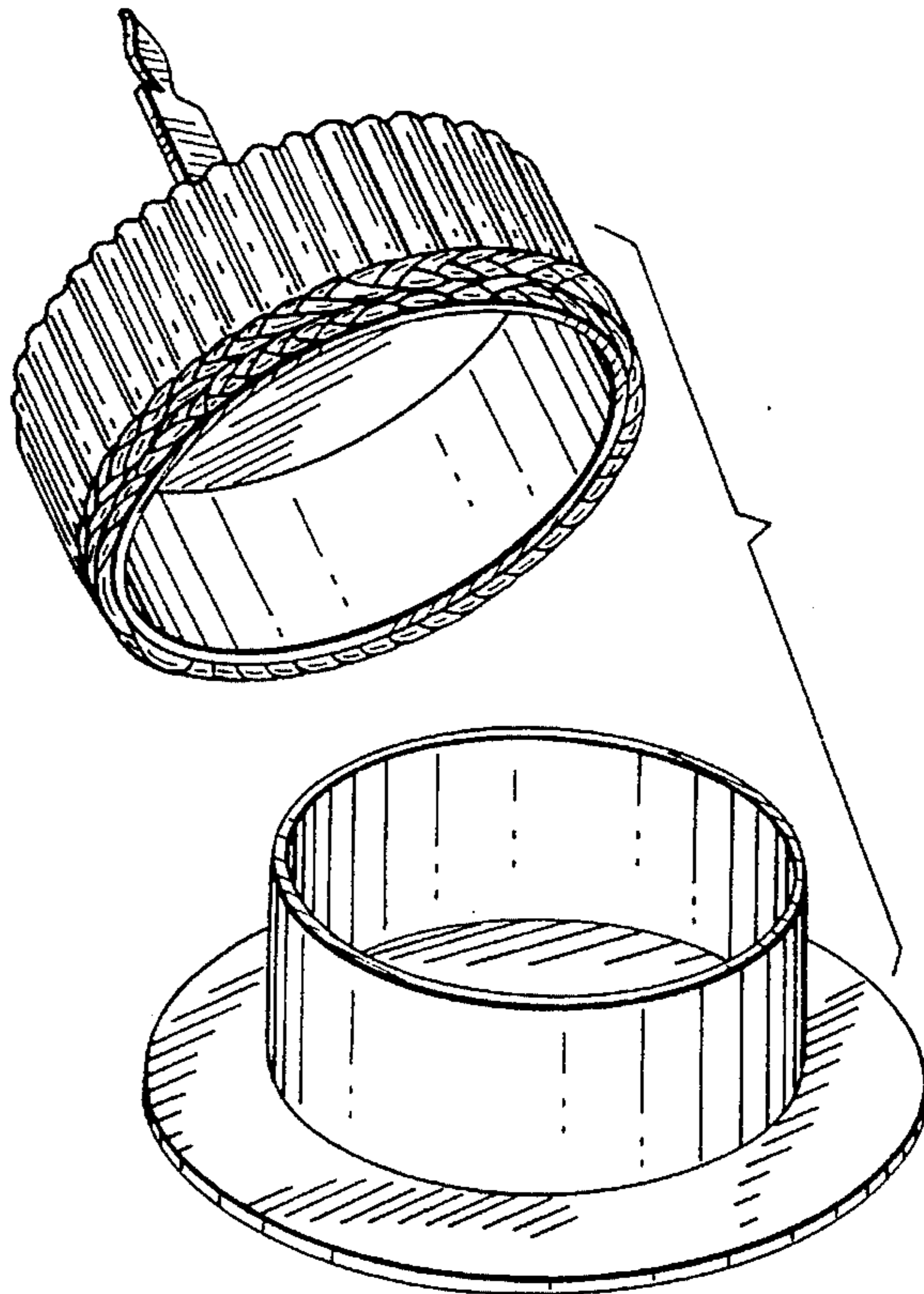


FIG. 1

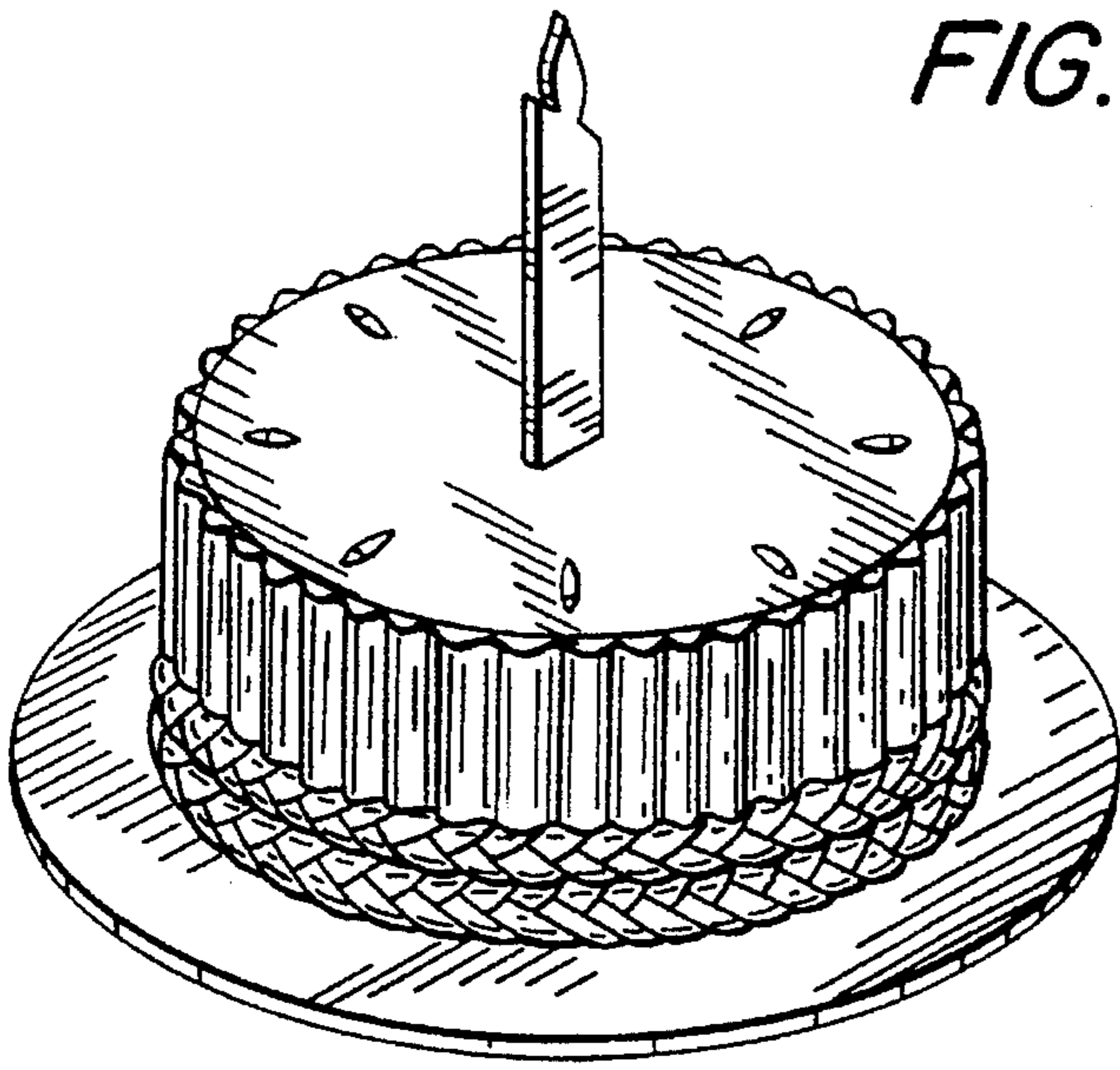


FIG. 2

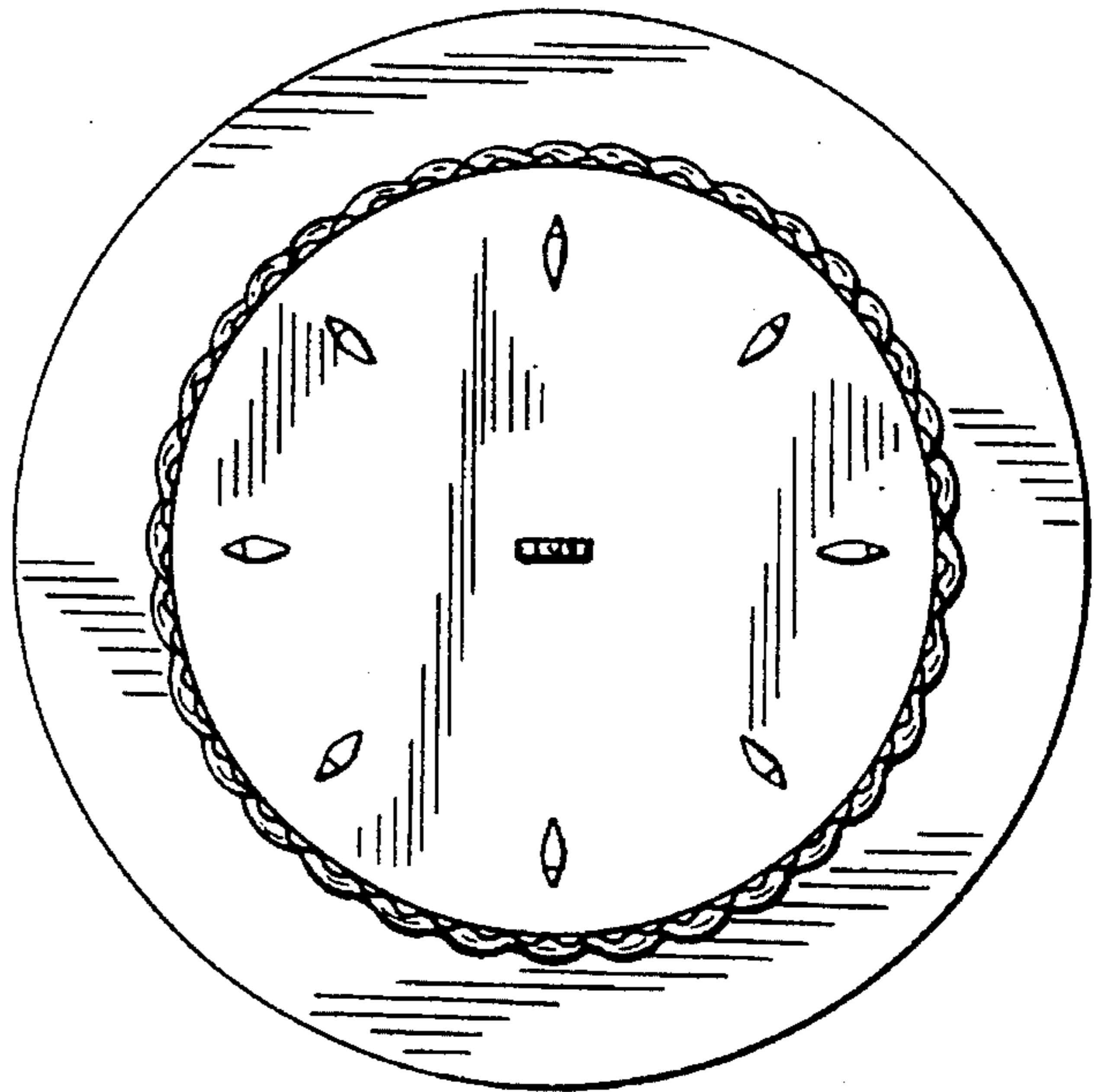


FIG. 3

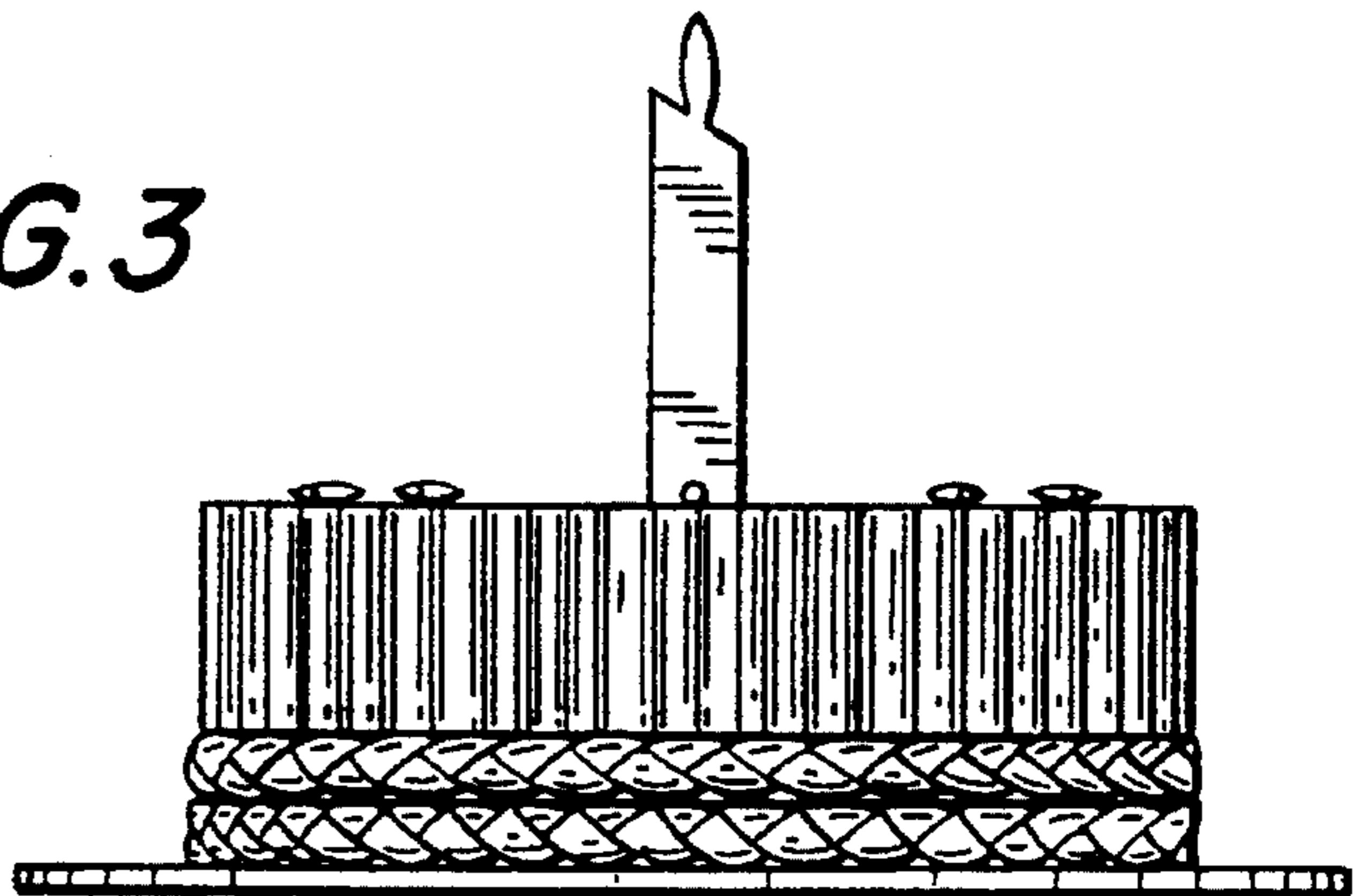


FIG. 4

