



US00D371959S

United States Patent [19] Hupp

[11] Patent Number: **Des. 371,959**

[45] Date of Patent: ****Jul. 23, 1996**

[54] **TRUCK BOX**

[75] Inventor: **Tracy L. Hupp, Lakeville, Ind.**

[73] Assignee: **Indiana Carton, Inc., Bremen, Ind.**

[**] Term: **14 Years**

[21] Appl. No.: **35,343**

[22] Filed: **Feb. 17, 1995**

[52] U.S. Cl. **D9/308; D9/418**

[58] Field of Search **D9/308, 307, 341, D9/414, 418; D21/128; 229/116.4, 116.1; 206/457; 446/73, 488, 7, 75, 76**

[56] **References Cited**

U.S. PATENT DOCUMENTS

D. 24,277	5/1895	Goettsch .	
D. 74,522	2/1928	Rozowsky	D9/308
D. 84,509	6/1931	Boone .	
D. 105,355	7/1937	Herz	D9/418
D. 202,073	8/1965	Douglas	D9/308
D. 220,198	3/1971	Clauser, Sr.	D9/308 X
D. 350,284	9/1994	Ran	D9/308
1,877,299	9/1932	Del Papa .	
2,113,288	4/1938	Berger .	
2,162,089	6/1939	Kagen .	
2,717,073	9/1955	Young	D9/418 X
3,057,466	10/1962	Blonder et al.	206/45.19
3,870,221	3/1975	Zeitter .	
4,562,922	1/1986	Midura	206/45.19
4,574,946	3/1986	Hanazato .	

4,646,959	3/1987	Sheffer	D9/308 X
4,713,012	12/1987	Poplawski et al.	446/488 X
5,358,172	10/1994	Hollander et al.	206/457 X
5,454,508	10/1995	Billen	446/488 X
5,458,521	10/1995	Todd	446/488 X

Primary Examiner—Prabhakar G. Deshmukh

Assistant Examiner—Cheri Cohen

Attorney, Agent, or Firm—Baker & Daniels

[57] CLAIM

The ornamental design for a truck box, as shown and described.

DESCRIPTION

FIG. 1 is an isometric view of the front end and left side of one embodiment of my invention;

FIG. 2 is a left side view of the box design of FIG. 1;

FIG. 3 is a top plan view of the box design of FIG. 1;

FIG. 4 is a right side view of the box design of FIG. 1;

FIG. 5 is a front end view of the box design of FIG. 1 and FIG. 7;

FIG. 6 is a rear end view of the box design of FIG. 1 and FIG. 7;

FIG. 7 is an isometric view of the front end and left side of another embodiment of my invention;

FIG. 8 is a left side view of the box design of FIG. 7;

FIG. 9 is a right side view of the box design of FIG. 7; and,

FIG. 10 is a top plan view of the box design of FIG. 7.

The bottom of the box design of FIG. 1 and FIG. 7 is plain and unornamented.

1 Claim, 6 Drawing Sheets

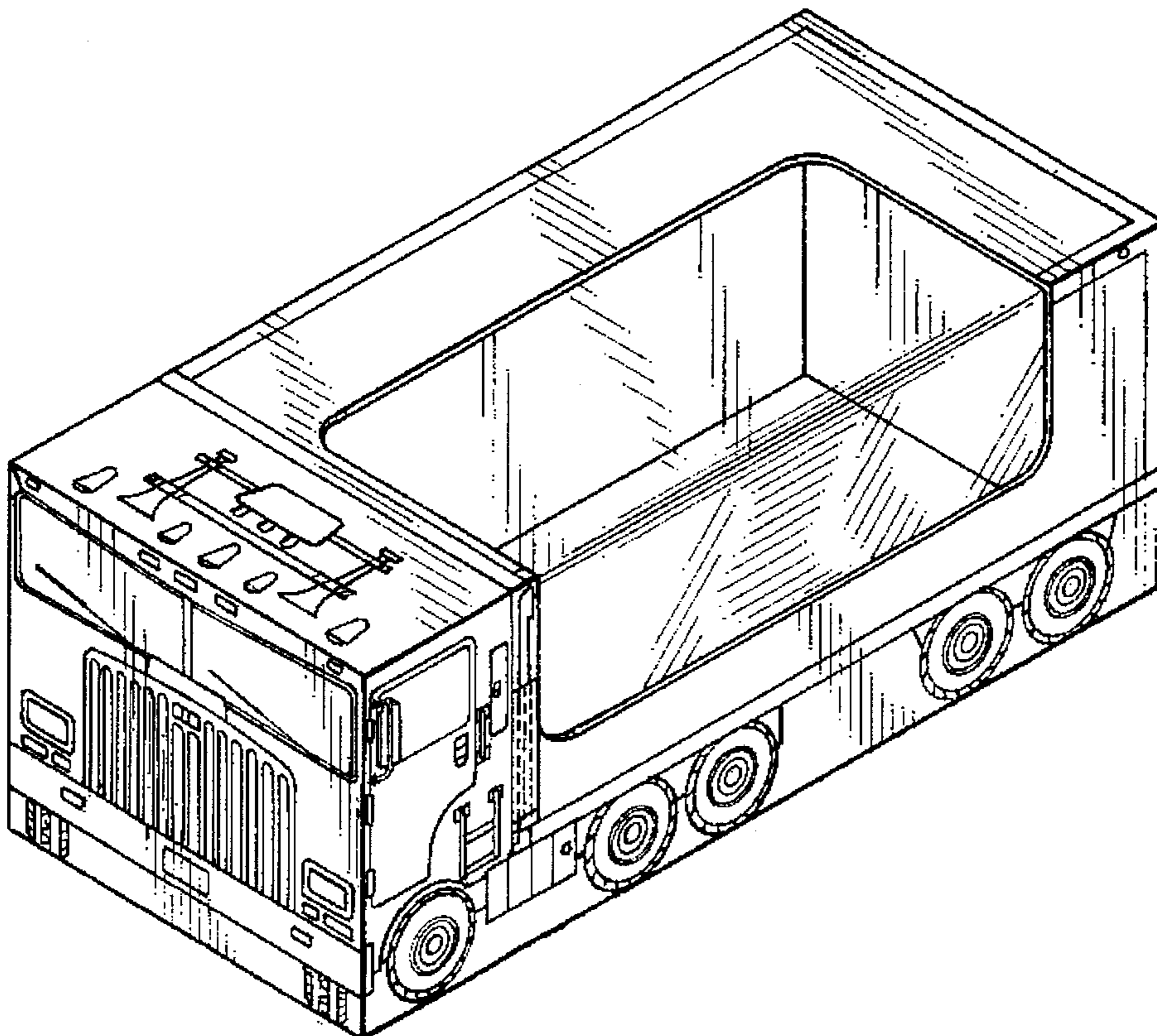


Fig. 1

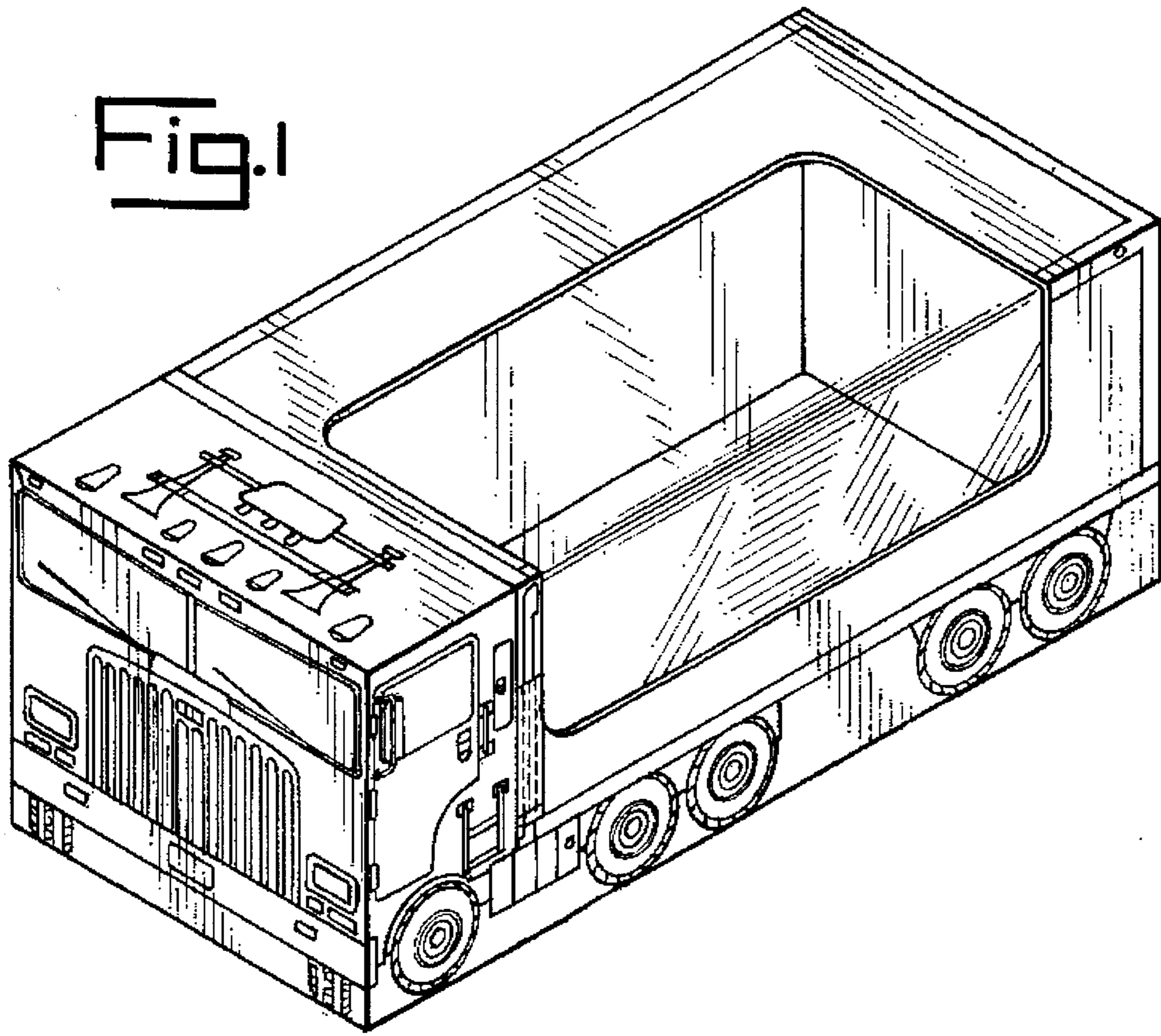


Fig. 2

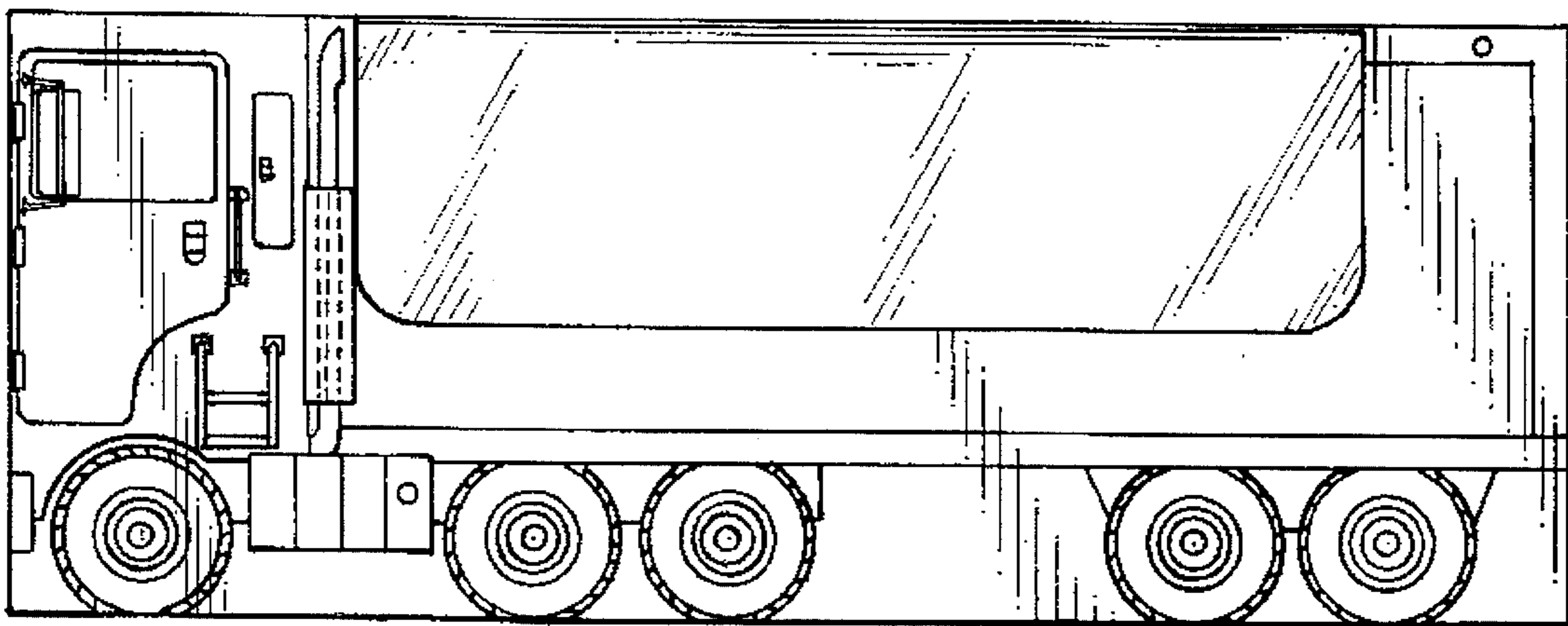


Fig. 3

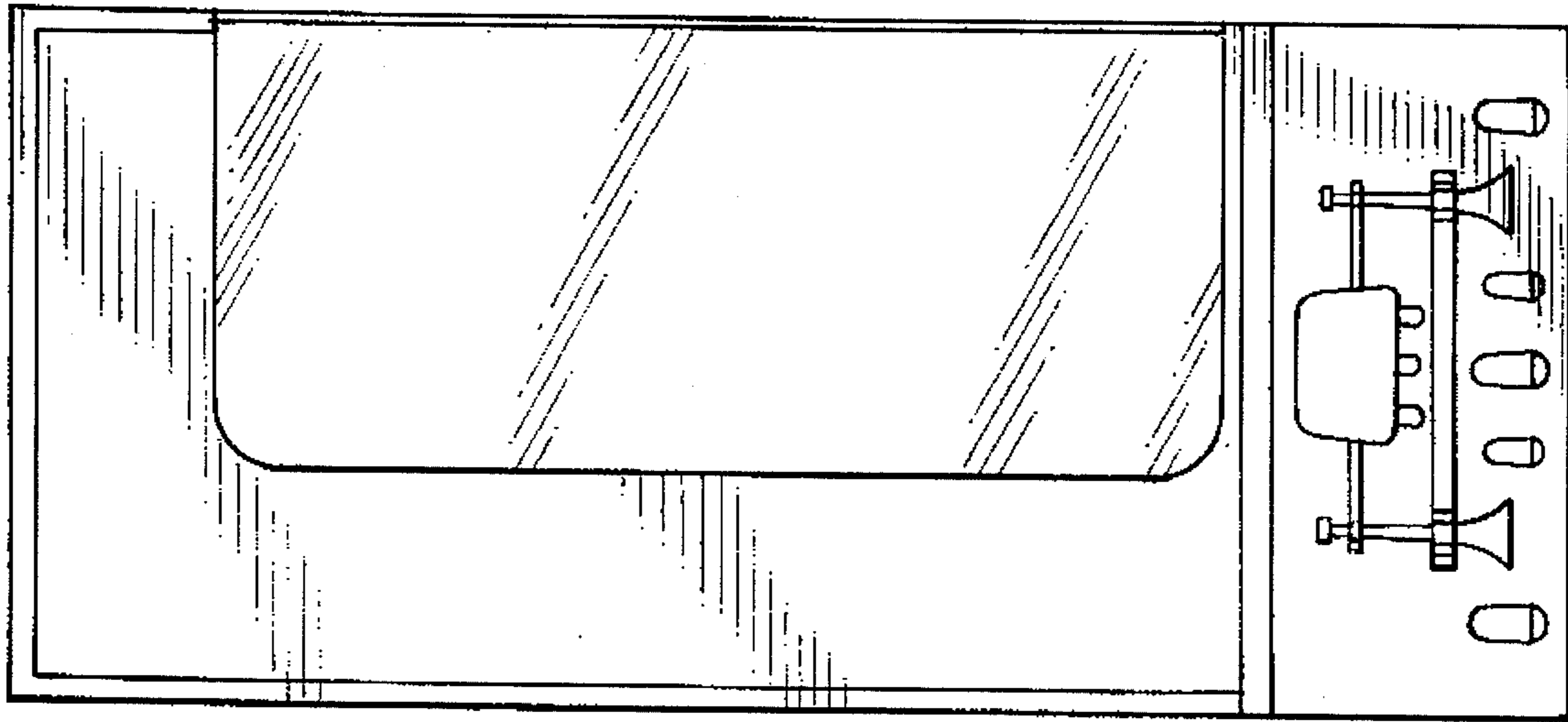


Fig. 4

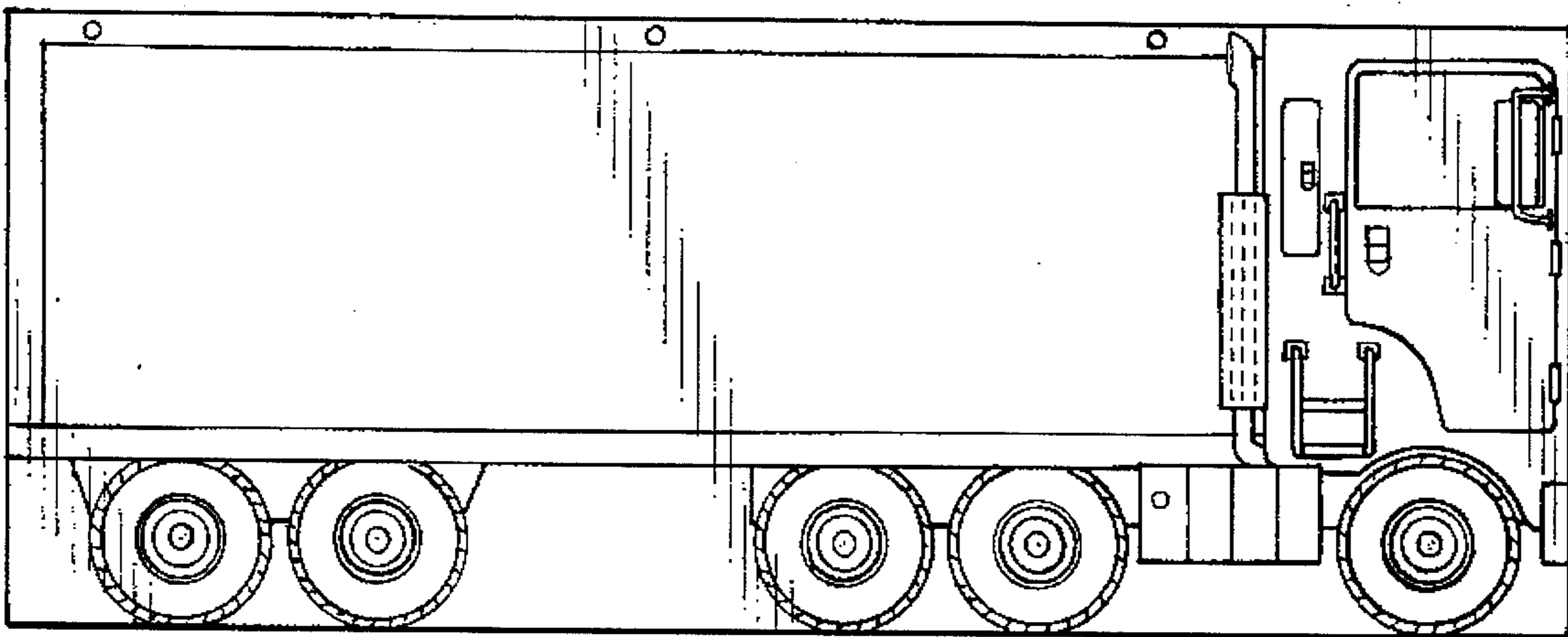


Fig. 5

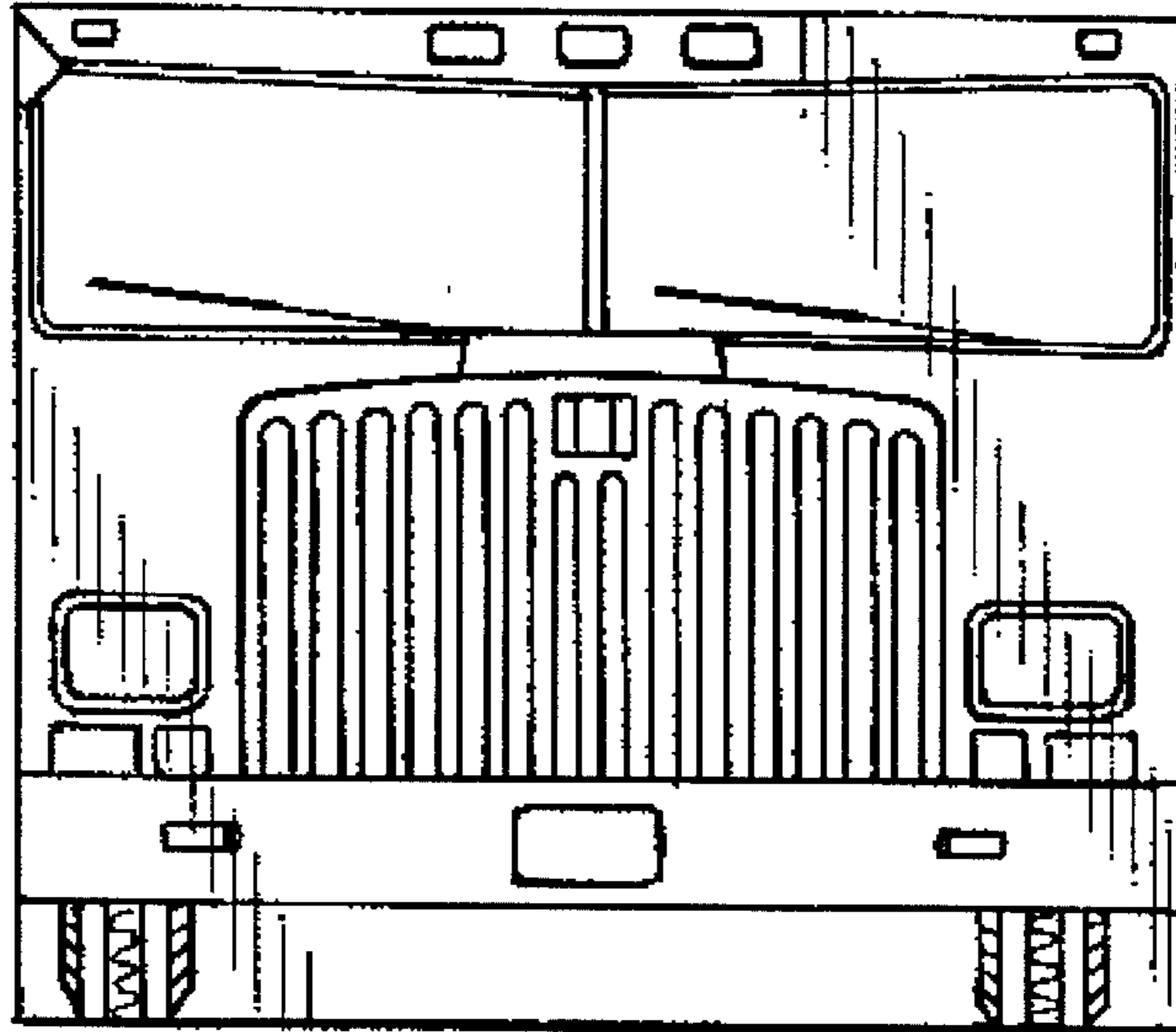
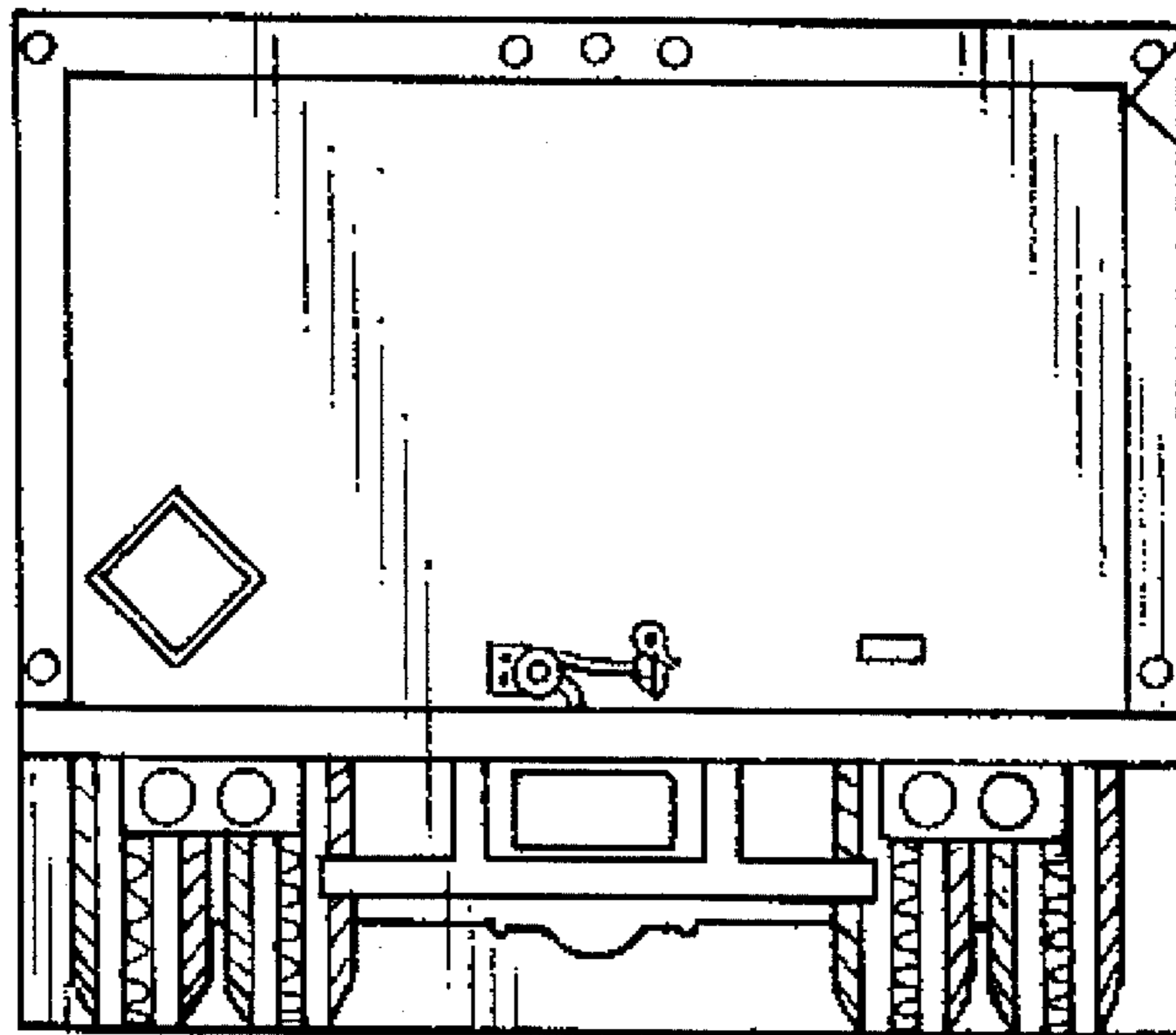


Fig. 6



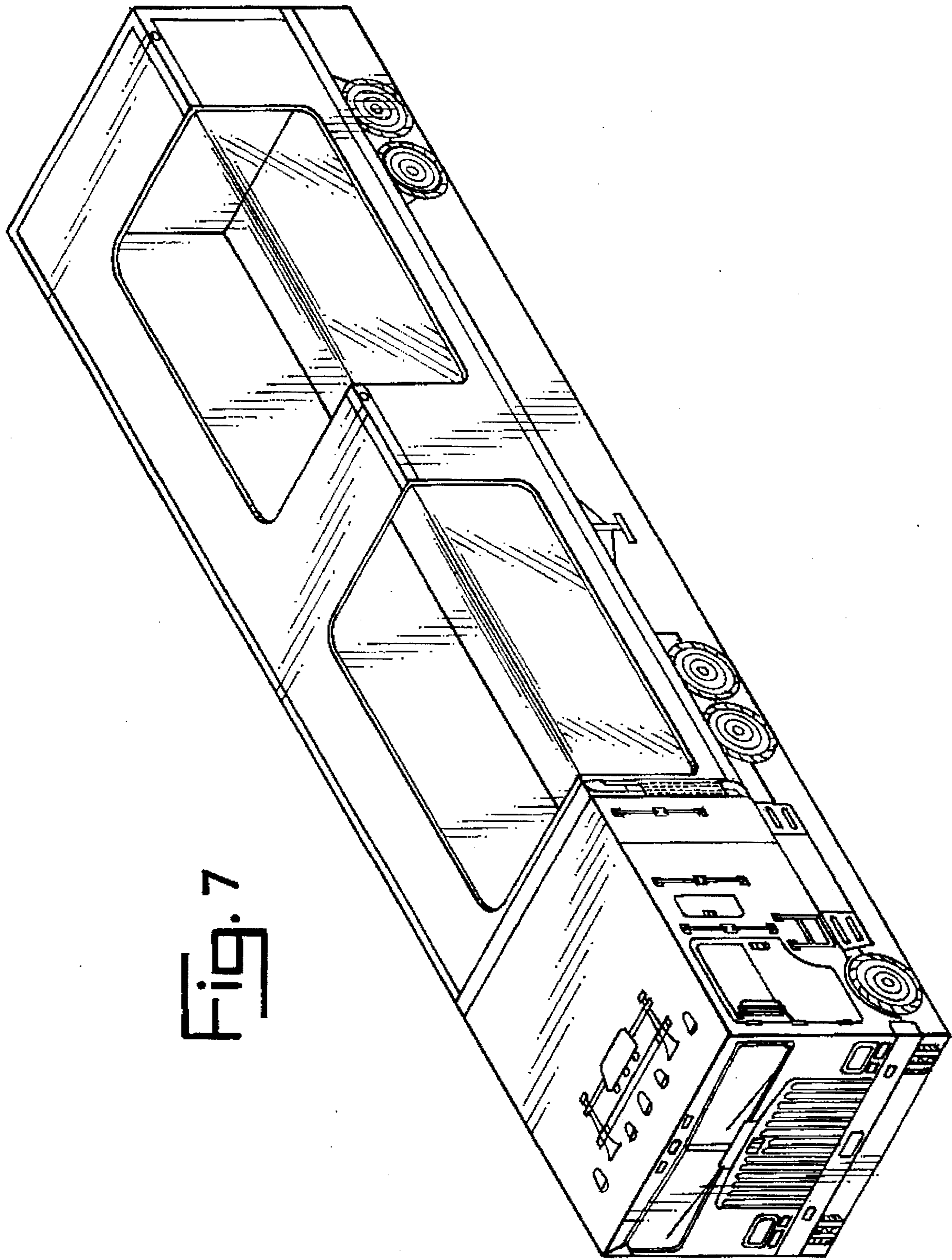


Fig. 7

Fig. 8

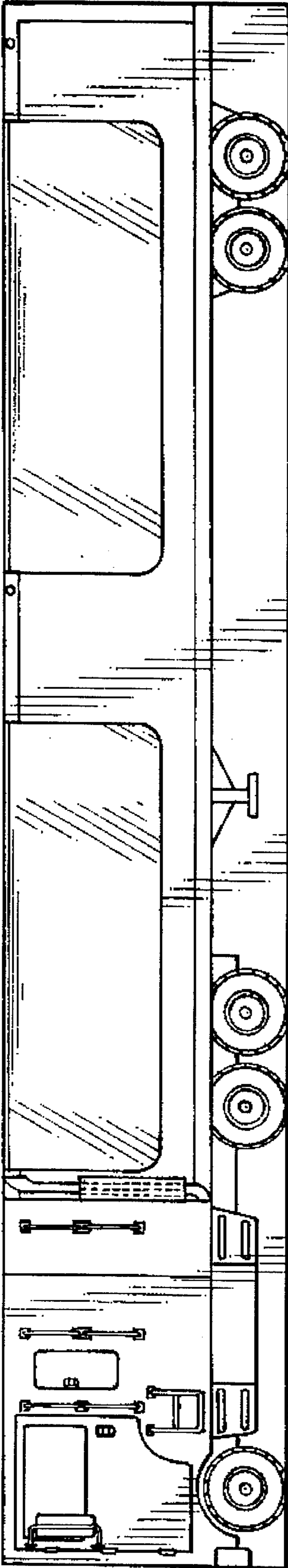


Fig. 9

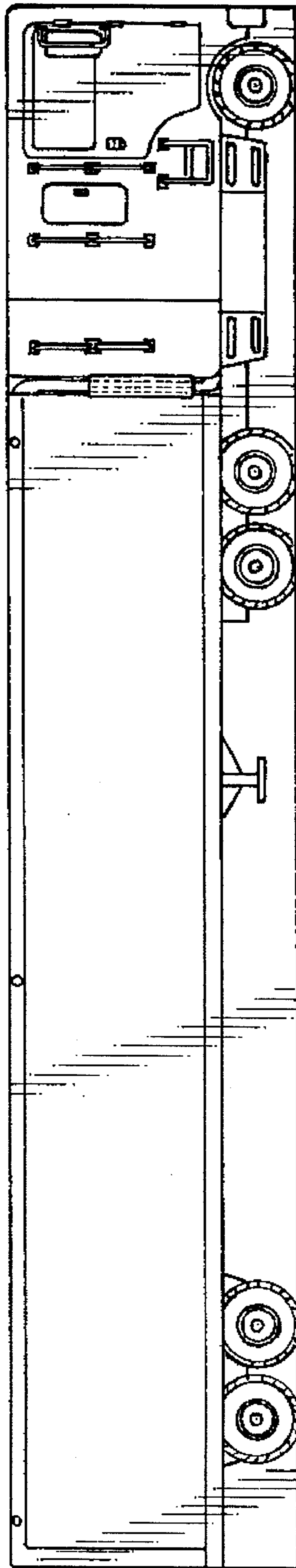


Fig. 10

