



US00D371956S

# United States Patent [19] Steffes

[11] Patent Number: **Des. 371,956**

[45] Date of Patent: **\*\*Jul. 23, 1996**

[54] NUT AND ESCUTCHEON COMBINATION

4,976,287 12/1990 Sheen ..... 137/801

[75] Inventor: **Rudolf Steffes**, Mueckeln, Germany

### FOREIGN PATENT DOCUMENTS

[73] Assignee: **American Standard Inc.**, Piscataway, N.J.

804 10/1936 France ..... 4/675  
4913 of 1880 United Kingdom ..... 4/675  
866672 5/1961 United Kingdom ..... 4/676

[\*\*] Term: **14 Years**

*Primary Examiner*—Louis S. Zarfes  
*Assistant Examiner*—Gregory Andoll  
*Attorney, Agent, or Firm*—Elaine Brenner Robinson; Ann M. Knab

[21] Appl. No.: **38,124**

[22] Filed: **Apr. 26, 1995**

[52] U.S. Cl. .... **D8/352; D8/397; D23/254**

[58] Field of Search ..... **D23/233-269; D8/352, 353, 397, 387, 398; 4/675-678**

### [57] CLAIM

The ornamental design for a nut and escutcheon combination, as shown and described.

### [56] References Cited

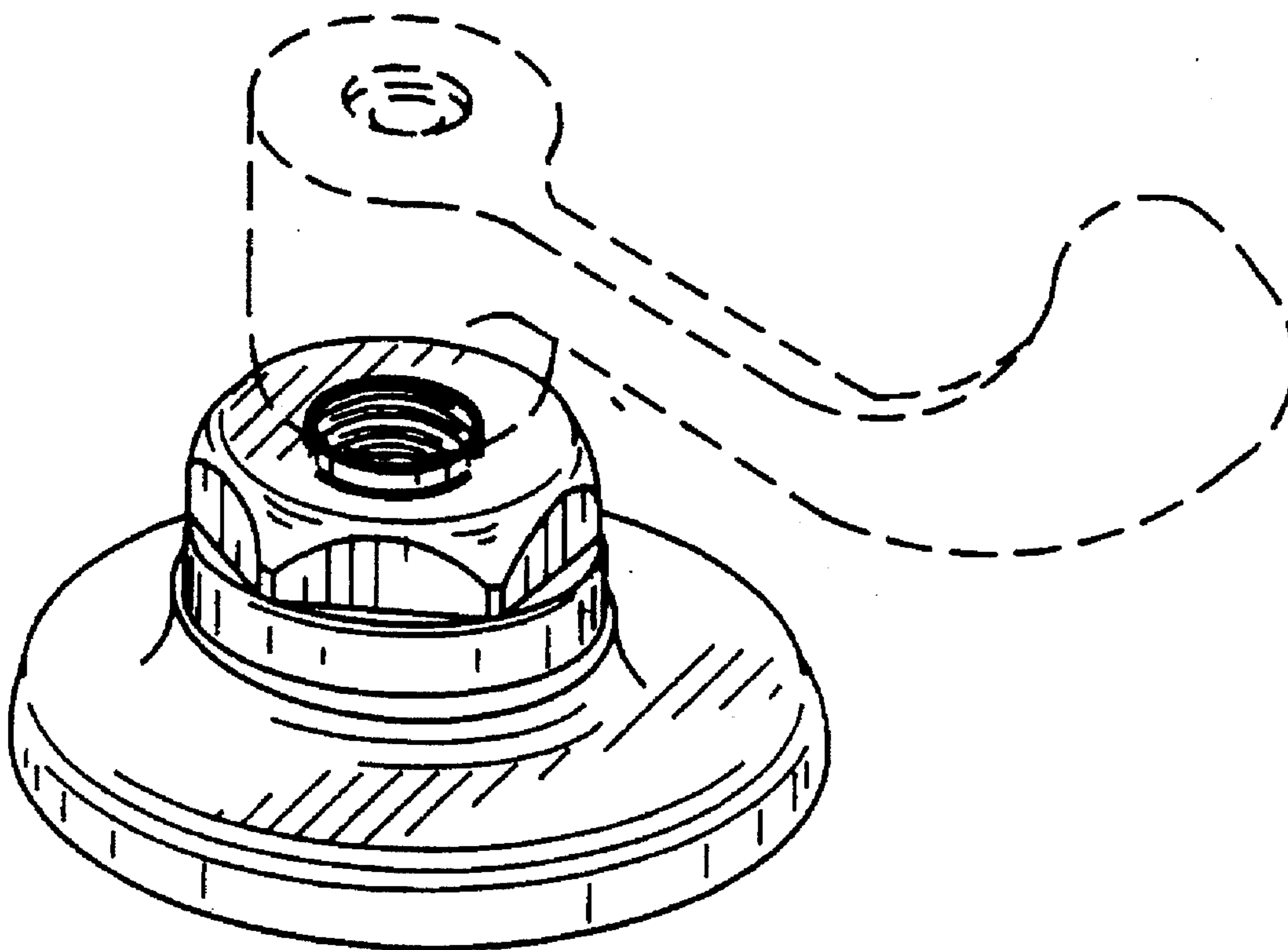
### DESCRIPTION

#### U.S. PATENT DOCUMENTS

D. 115,811	7/1939	Reinecke .....	D23/241
D. 119,175	2/1940	Shaw .....	D23/235
D. 120,495	5/1940	Wilson .....	D23/262
D. 144,249	3/1946	Hinderer .....	D91/3
D. 149,386	4/1948	Smolensky .....	D91/3
D. 163,545	6/1951	Smolensky .....	D91/3
D. 190,711	6/1961	Kohler .....	D91/3
D. 237,613	11/1975	Saporito et al. ....	D23/25
D. 253,799	1/1980	Saporito et al. ....	D23/25
D. 289,543	4/1987	Davis .....	D23/29
D. 349,328	8/1994	Bollenbacher .....	D8/300
D. 349,948	8/1994	Bollenbacher et al. ....	D23/241
1,030,144	6/1912	Tyne .....	4/676
1,410,368	3/1922	Burman .....	4/676
2,464,852	3/1949	De Lisa .....	4/677
2,740,130	4/1956	Stone .....	4/192

FIG. 1 is a perspective view of a nut and escutcheon combination showing my new design with a faucet handle shown in phantom;  
FIG. 2 is a rear elevational view thereof with a faucet handle shown in phantom;  
FIG. 3 is a left side elevational view thereof with a faucet handle shown in phantom, the right side view being a mirror image of the left side;  
FIG. 4 is a top plan view thereof with a faucet handle shown in phantom;  
FIG. 5 is a bottom plan thereof with a faucet handle shown in phantom; and,  
FIG. 6 is a front elevational view with a faucet handle shown in phantom.

1 Claim, 1 Drawing Sheet



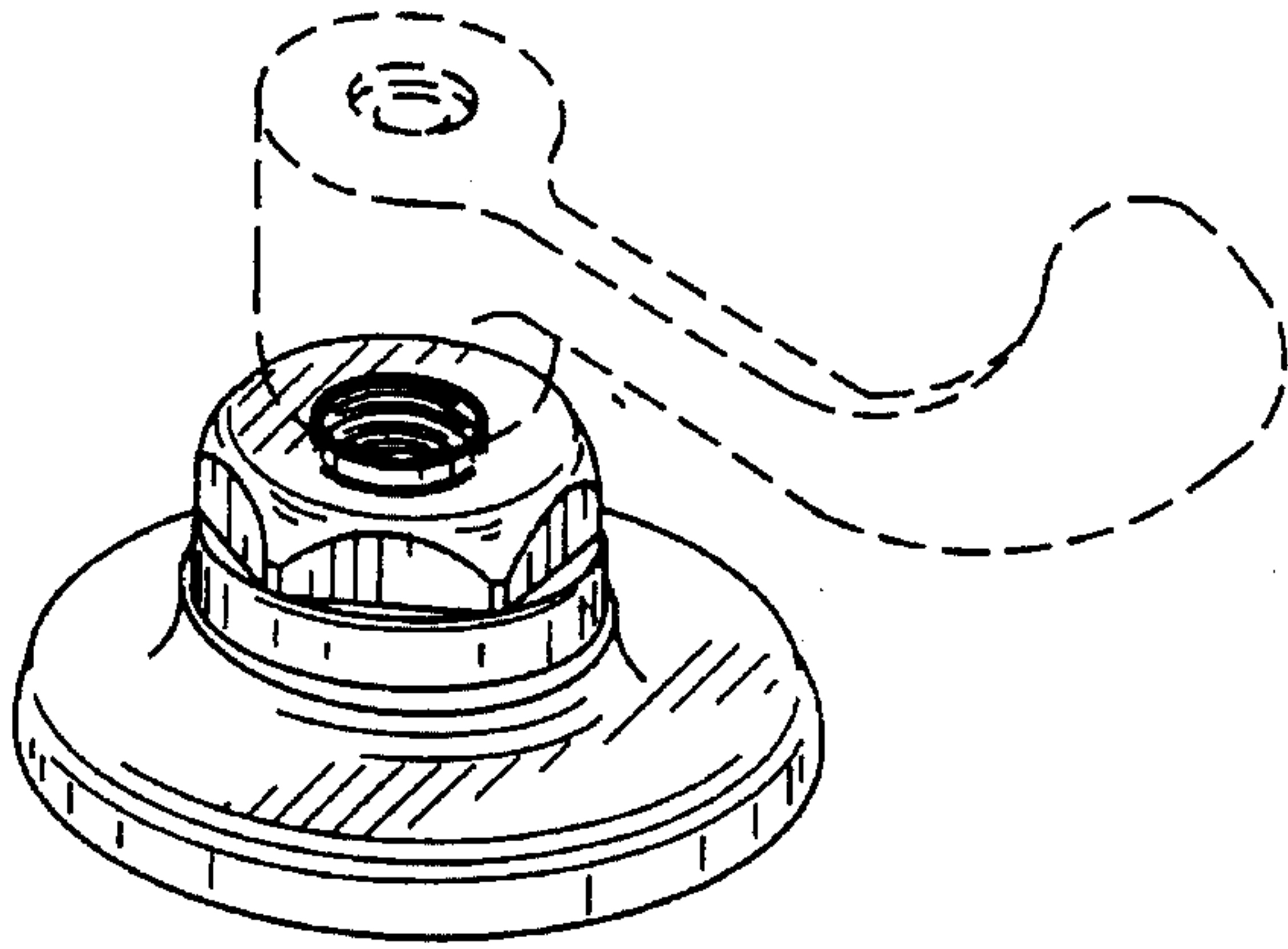


FIG. 1

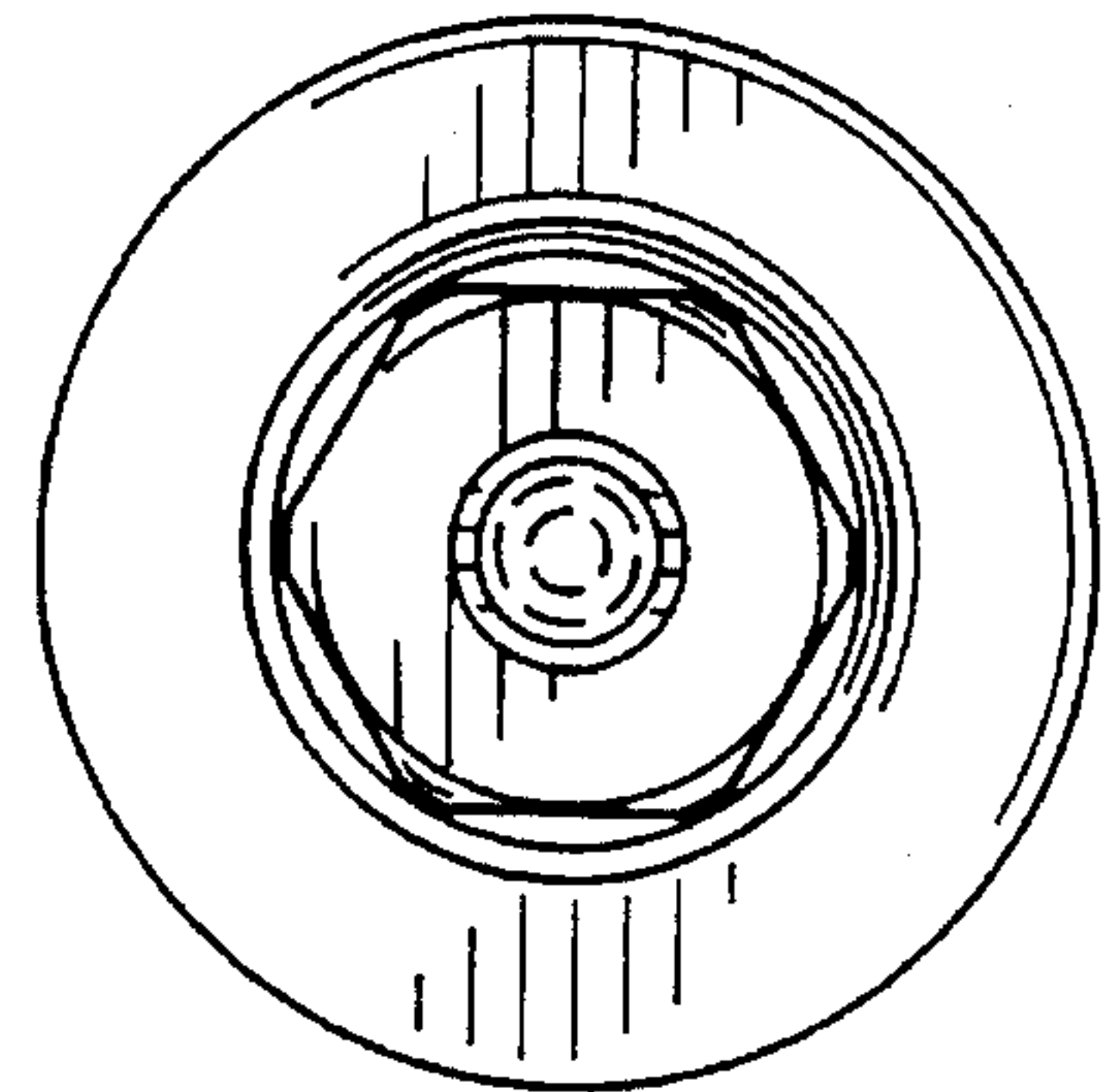


FIG. 4

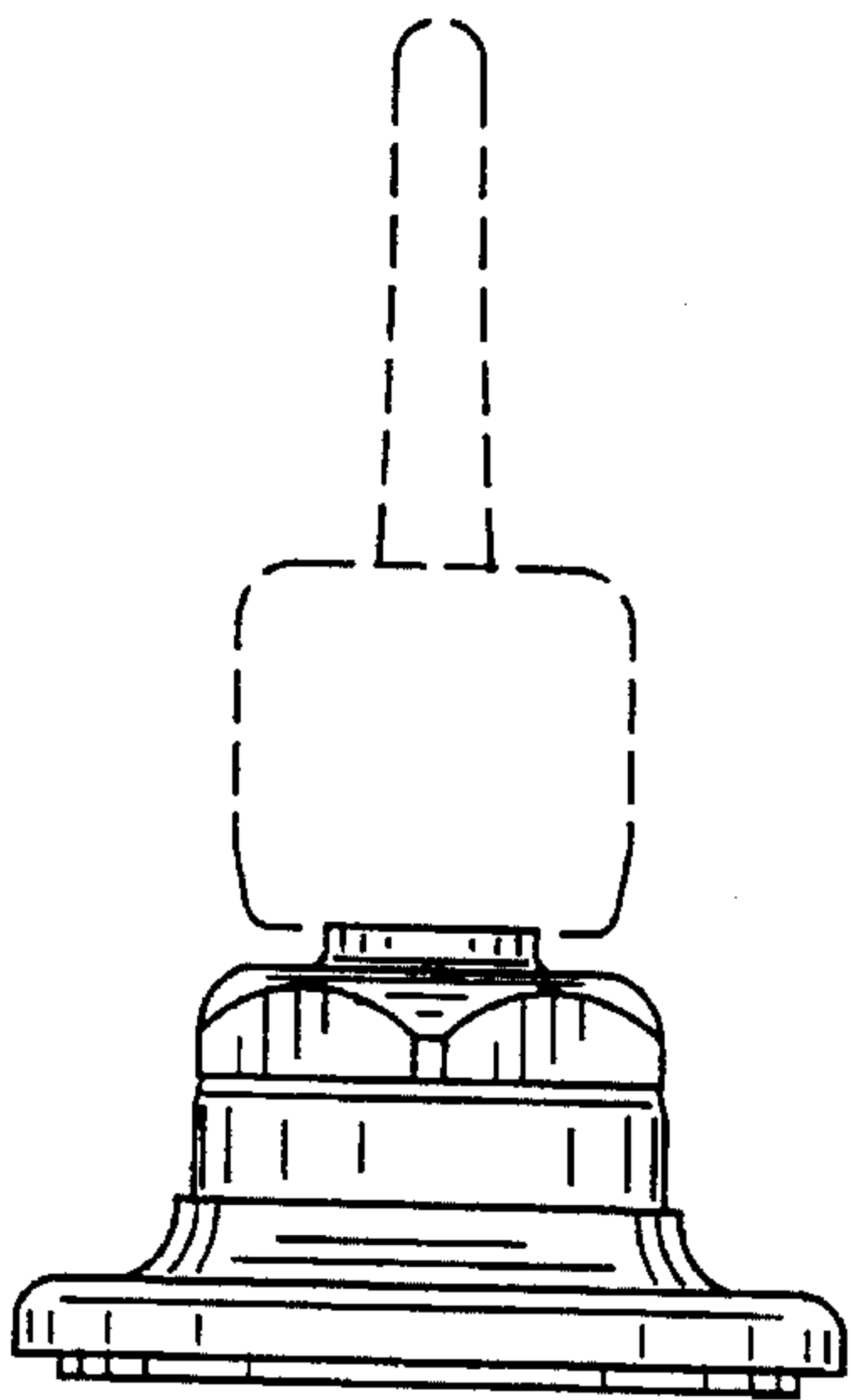


FIG. 2

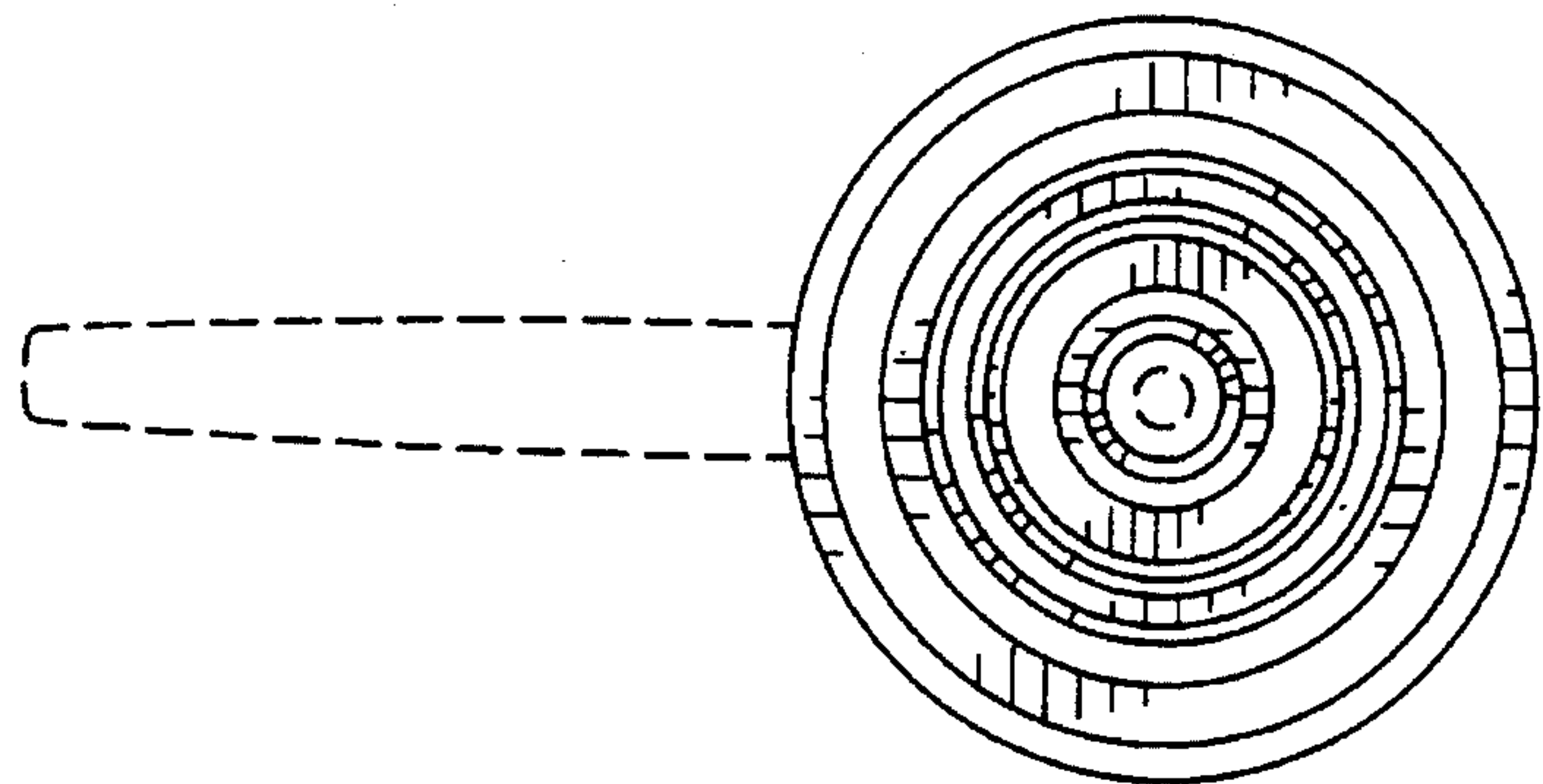


FIG. 5

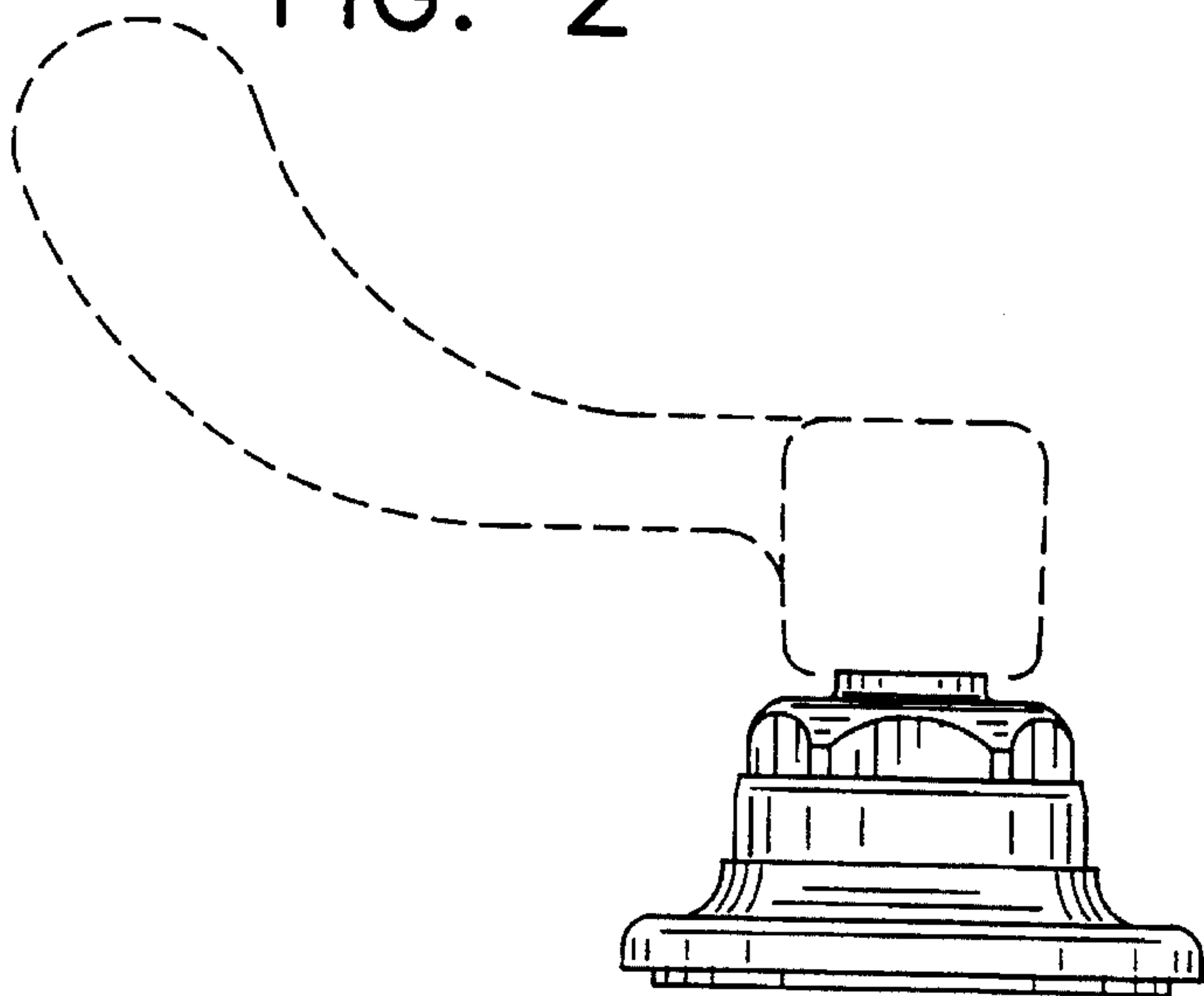


FIG. 3

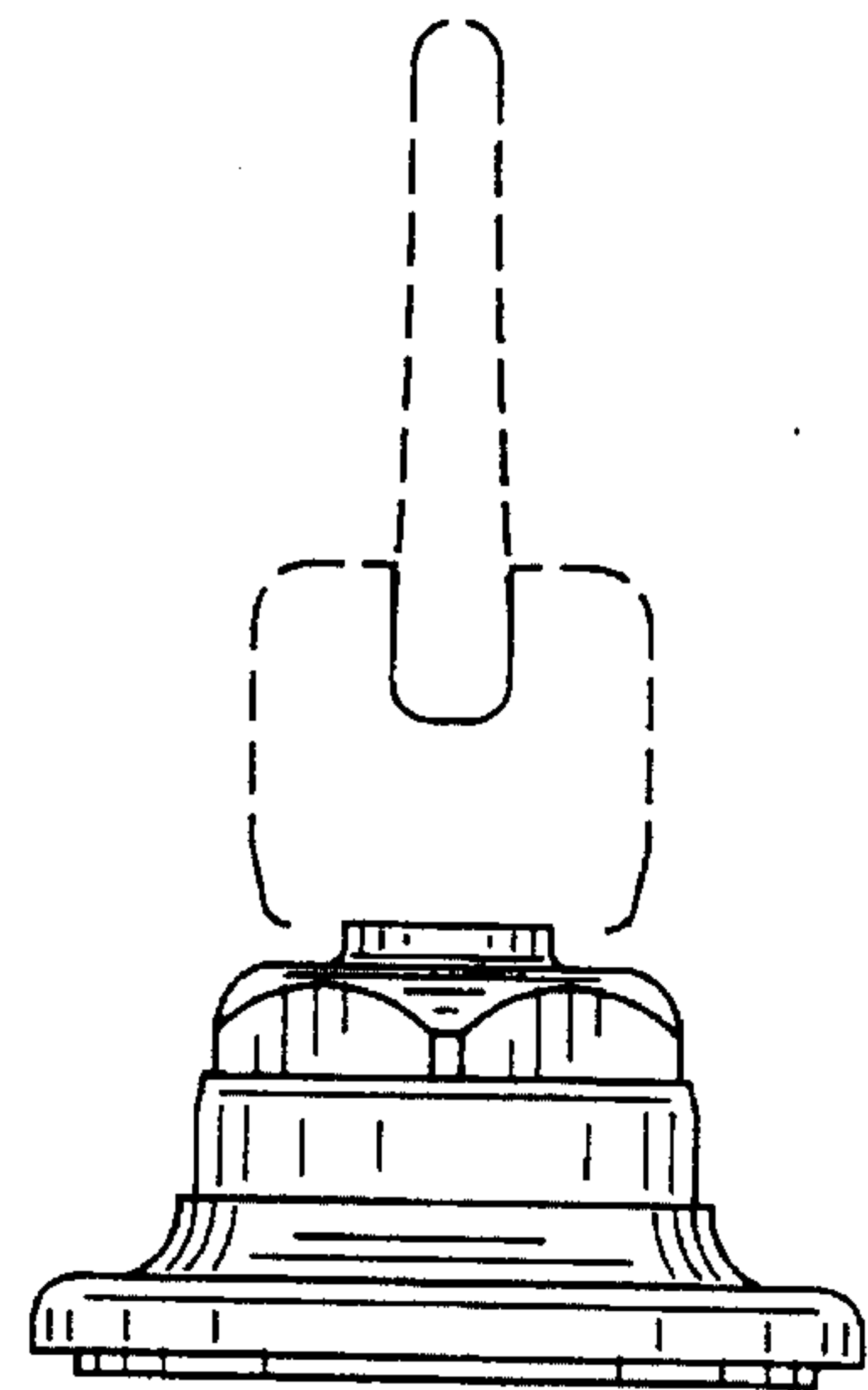


FIG. 6