



US00D371941S

**United States Patent** [19]

[11] **Patent Number: Des. 371,941**

**Kind et al.**

[45] **Date of Patent: \*\*Jul. 23, 1996**

[54] **FOOD PRODUCT DISPENSER**

**OTHER PUBLICATIONS**

[75] Inventors: **Michael Kind**, Philadelphia; **Alan Dorfman**, Richboro, both of Pa.; **Io Nin Ku**, Macau, Macau

Hardware Age, Feb. 1989, p. 53, Measuring Tape, Lufkin ©33'.

[73] Assignee: **Basic Fun, Inc.**, Southampton, Pa.

*Primary Examiner*—Terry A. Wallace  
*Attorney, Agent, or Firm*—Caesar, Rivise, Bernstein, Cohen & Pokotilow, Ltd.

[\*\*] Term: **14 Years**

[57] **CLAIM**

[21] Appl. No.: **34,871**

The ornamental design for a food product dispenser, as shown.

[22] Filed: **Feb. 14, 1995**

[52] U.S. Cl. .... **D7/589**; D10/72; D19/69

**DESCRIPTION**

[58] **Field of Search** ..... D7/589, 628; D10/65, D10/72; D19/67, 69; D9/341; 206/390, 800; 221/70, 71; 225/39, 56, 77

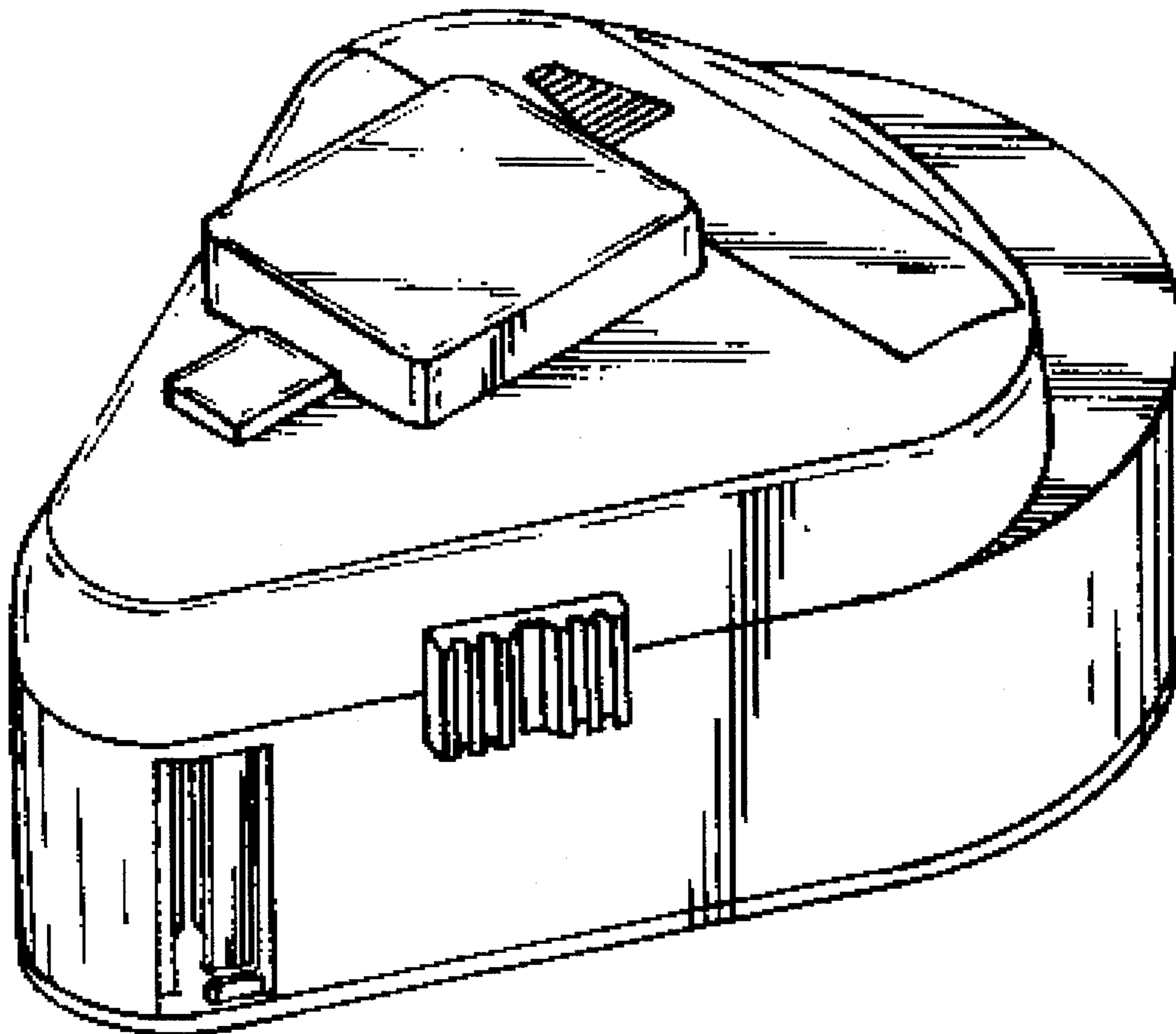
FIG. 1 is a perspective view of a food product dispenser showing our new design;  
FIG. 2 is a top plan view thereof;  
FIG. 3 is a bottom plan view thereof;  
FIG. 4 is a right side elevation view thereof;  
FIG. 5 is a left side elevation view thereof;  
FIG. 6 is a rear elevation view thereof; and,  
FIG. 7 is a front elevation view thereof.

[56] **References Cited**

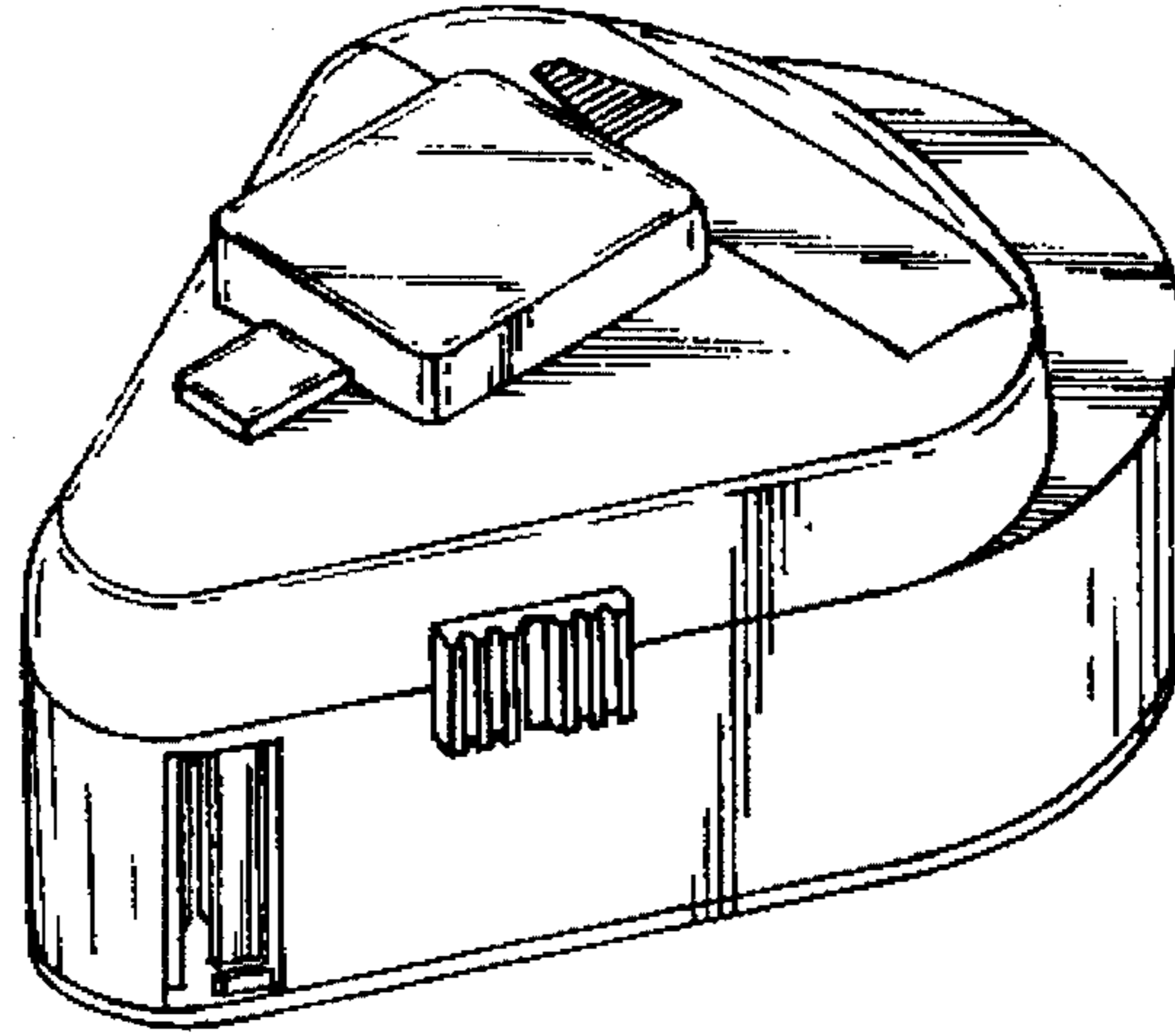
**U.S. PATENT DOCUMENTS**

D. 330,566 10/1992 Czech ..... D19/69  
D. 348,691 7/1994 Bell et al. .... D10/72 X  
3,123,265 3/1964 Houseiz ..... 225/77 X

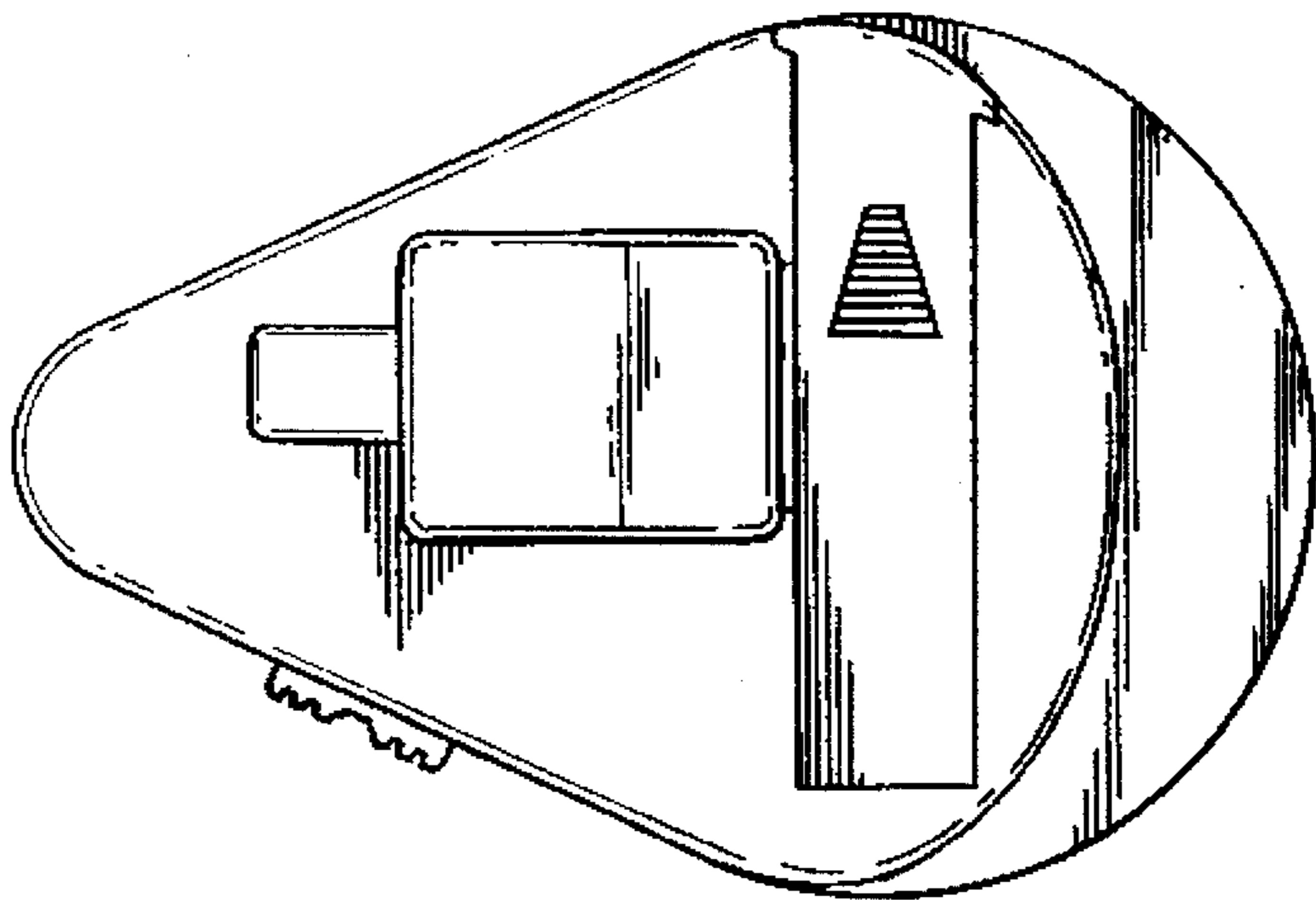
**1 Claim, 2 Drawing Sheets**



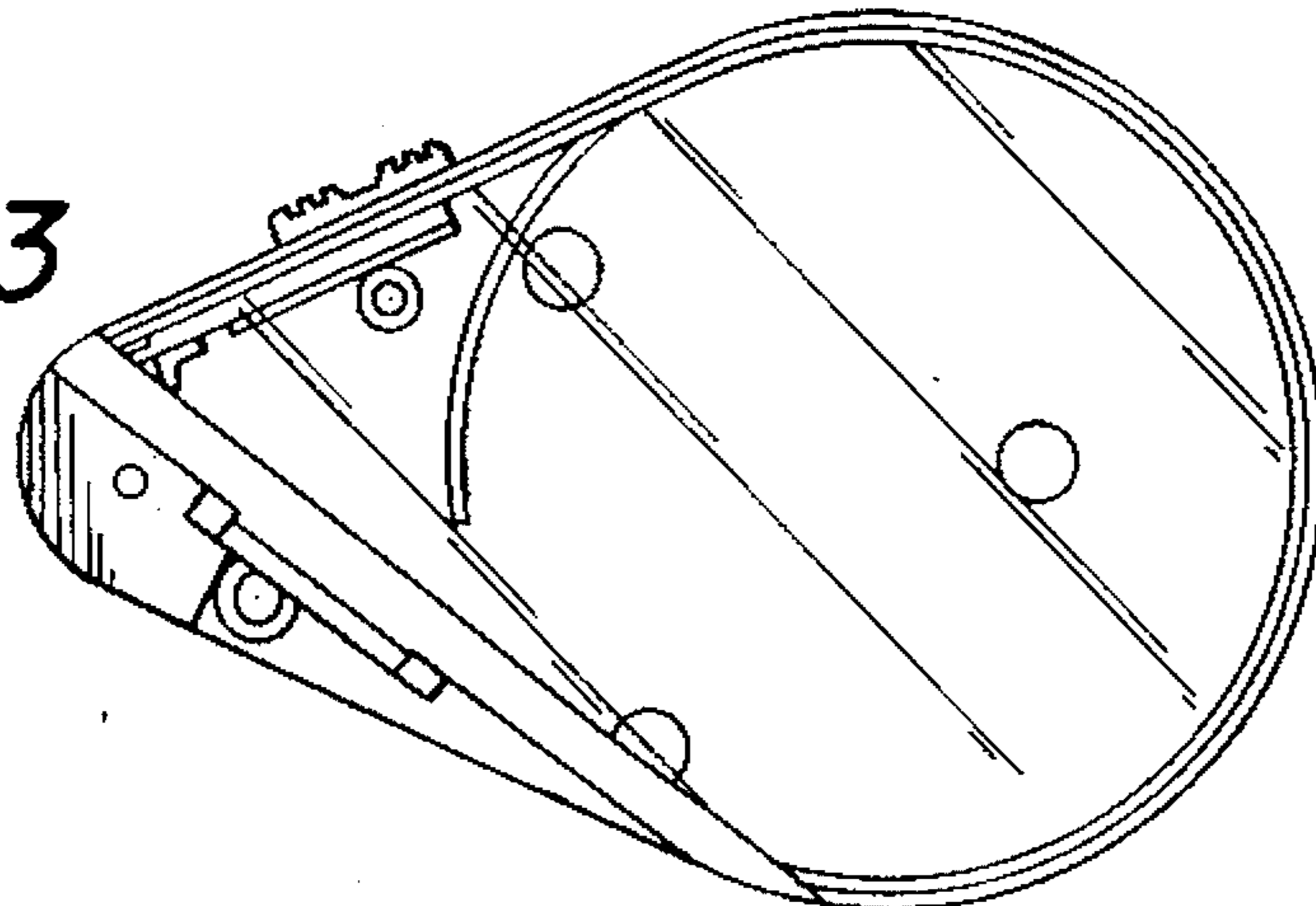
*FIG. 1*



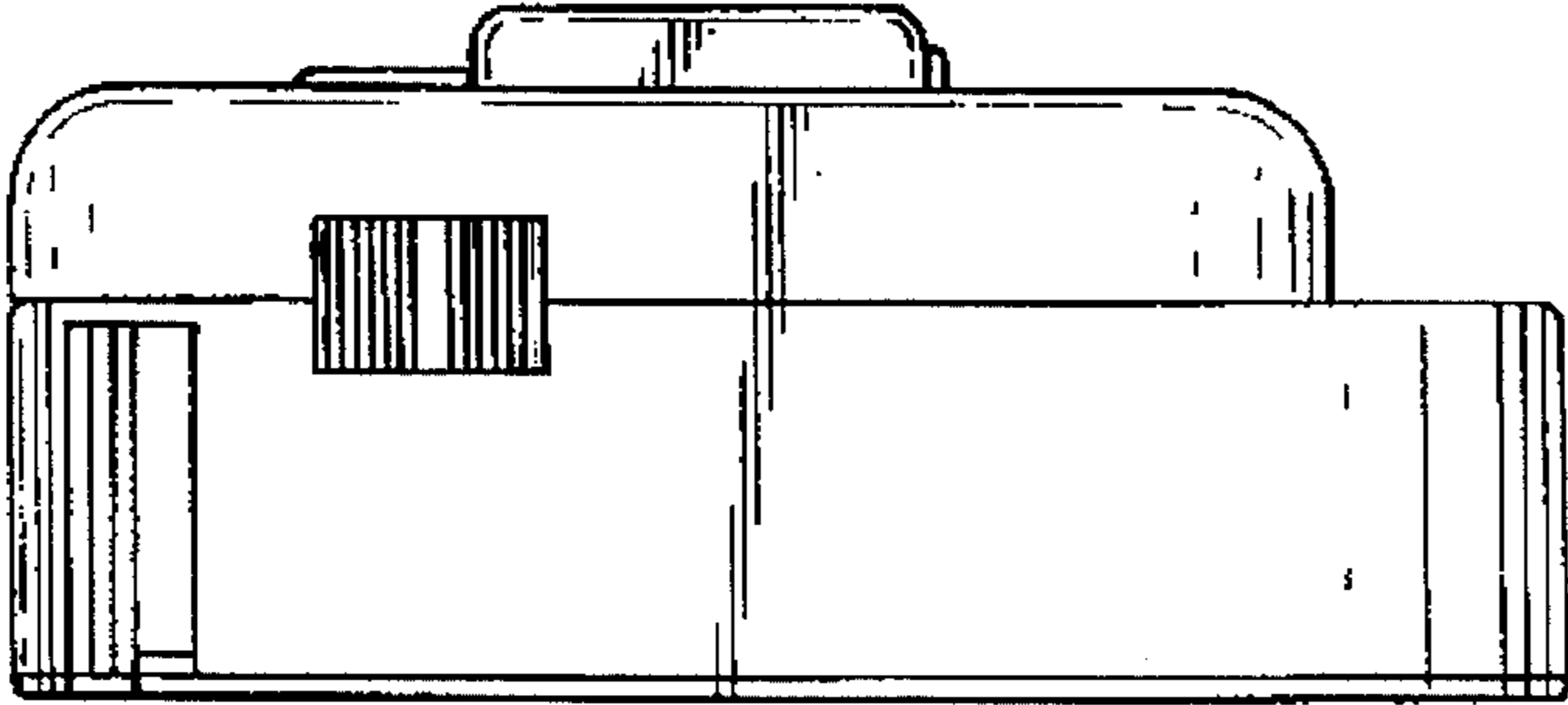
*FIG. 2*



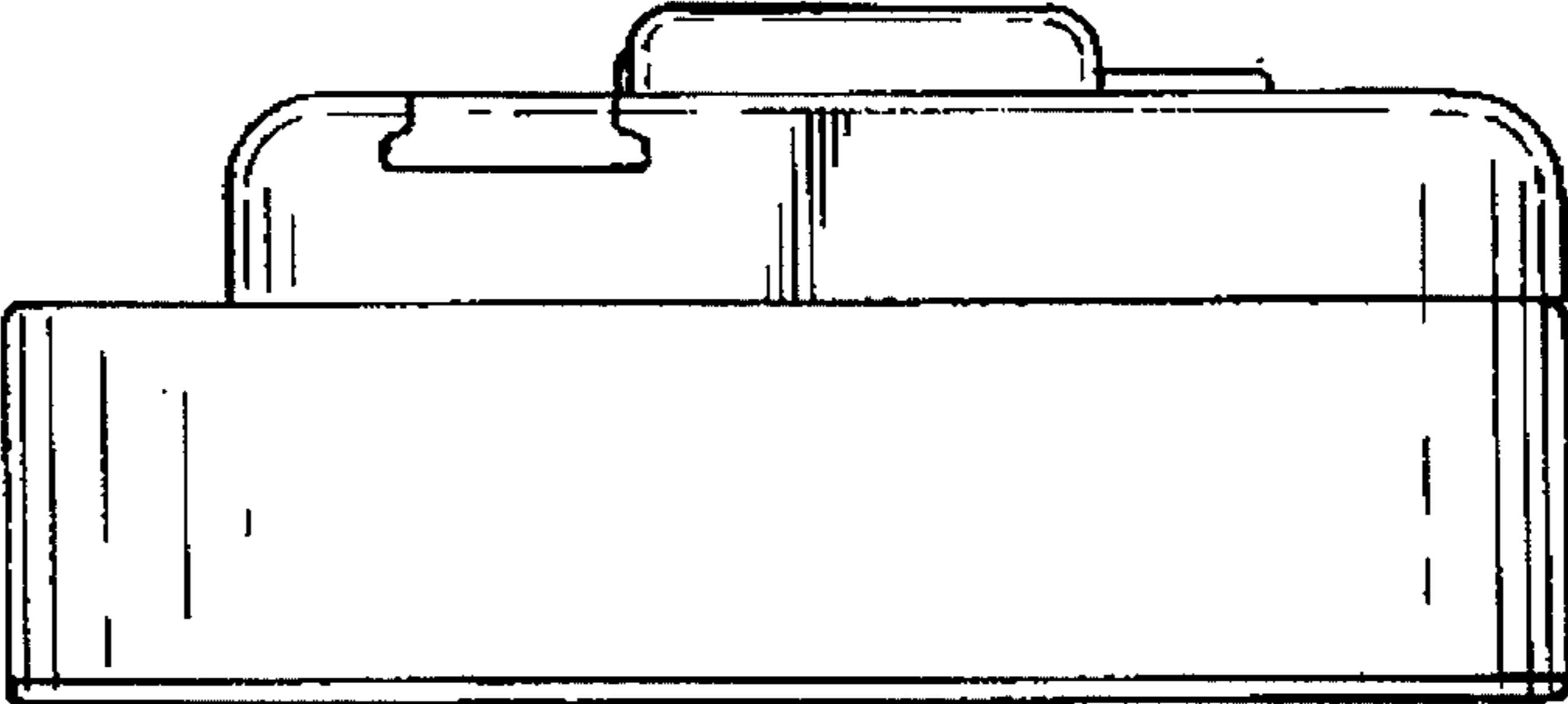
*FIG. 3*



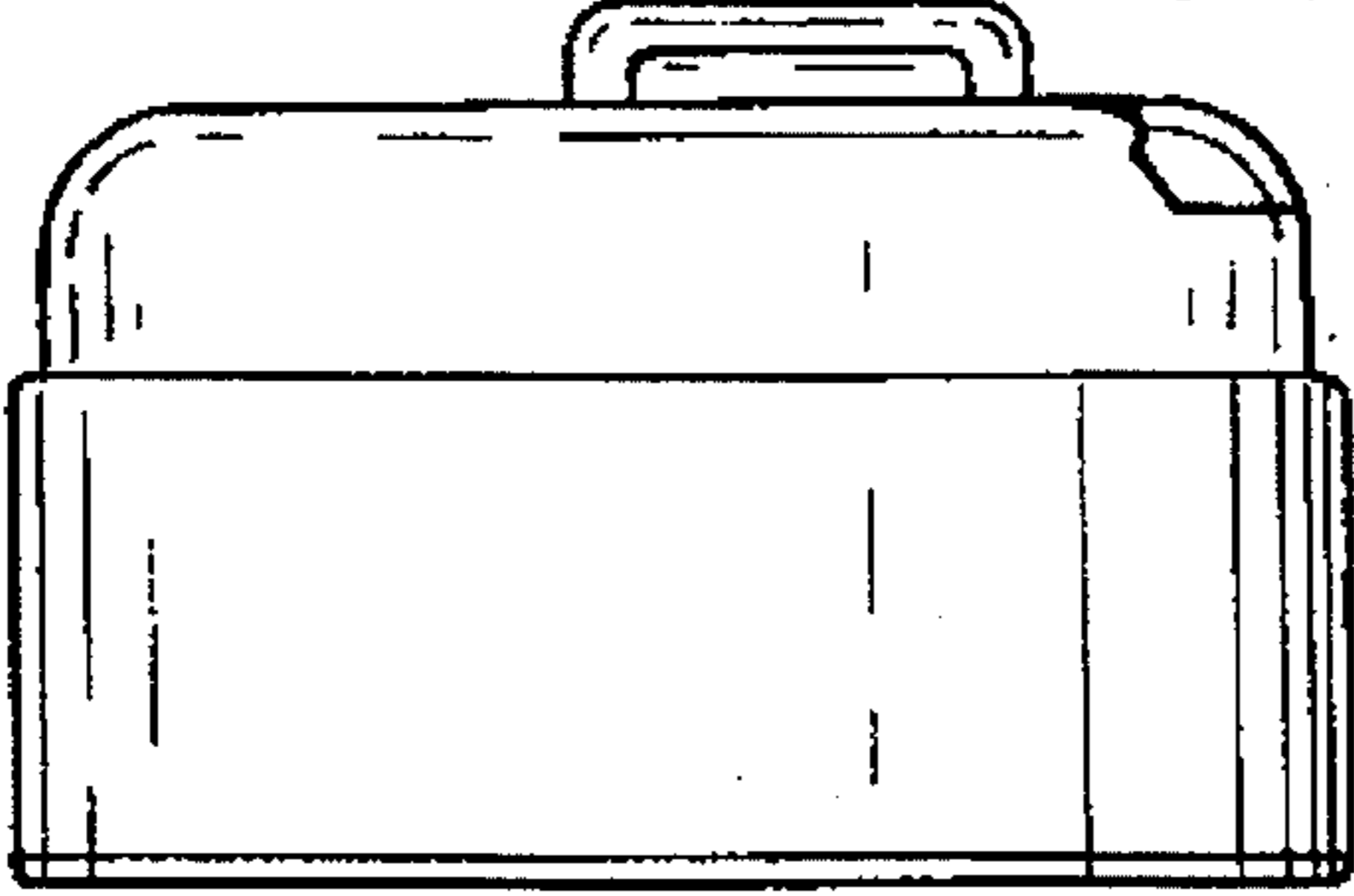
*FIG. 4*



*FIG. 5*



*FIG. 6*



*FIG. 7*

