



US00D371939S

United States Patent [19]
Rigney

[11] **Patent Number: Des. 371,939**

[45] **Date of Patent: **Jul. 23, 1996**

[54] **MIXING BOWL**

[76] **Inventor: Jack C. Rigney, 916 Prescott Blvd.,
Deltona, Fla. 32738**

[**] **Term: 14 Years**

[21] **Appl. No.: 40,329**

[22] **Filed: Jun. 15, 1995**

[52] **U.S. Cl. D7/543; D7/509**

[58] **Field of Search D7/540, 538, 502,
D7/506, 547, 548, 549, 550, 551, 552,
553, 554, 555, 556, 557, 584, 585, 586,
588, 571, 325, 539, 523, 543, 544, 542,
505, 508, 555, 587, 598, 318, 503, 316,
509; 220/555, 575, 427, 671; D24/128,
123; D30/129, 130; D34/1**

[56] **References Cited**

U.S. PATENT DOCUMENTS

D. 214,749	7/1969	Ferrara	D7/584
D. 222,177	10/1971	Tondu	D7/543
D. 234,180	1/1975	Dart	D7/584
D. 259,011	4/1981	Daenen	D7/318
D. 285,515	9/1986	Papciak	D7/509
D. 286,249	10/1986	Carlson	D7/587
D. 288,515	3/1987	Rimmeir	D7/584

D. 342,642	12/1993	Brazis	D7/316 X
D. 342,784	12/1993	Passiak et al.	D24/123
D. 345,716	4/1994	Kwiatkowski	D7/584
3,152,735	10/1964	Caldwell	D7/598 X
5,147,342	9/1992	Kane et al.	D24/128 X

OTHER PUBLICATIONS

Stainless Steel Bowl, Restaurant Equipment Dealer May 1958, p. 46.

Primary Examiner—M. N. Pandozzi
Attorney, Agent, or Firm—Larry D. Johnson

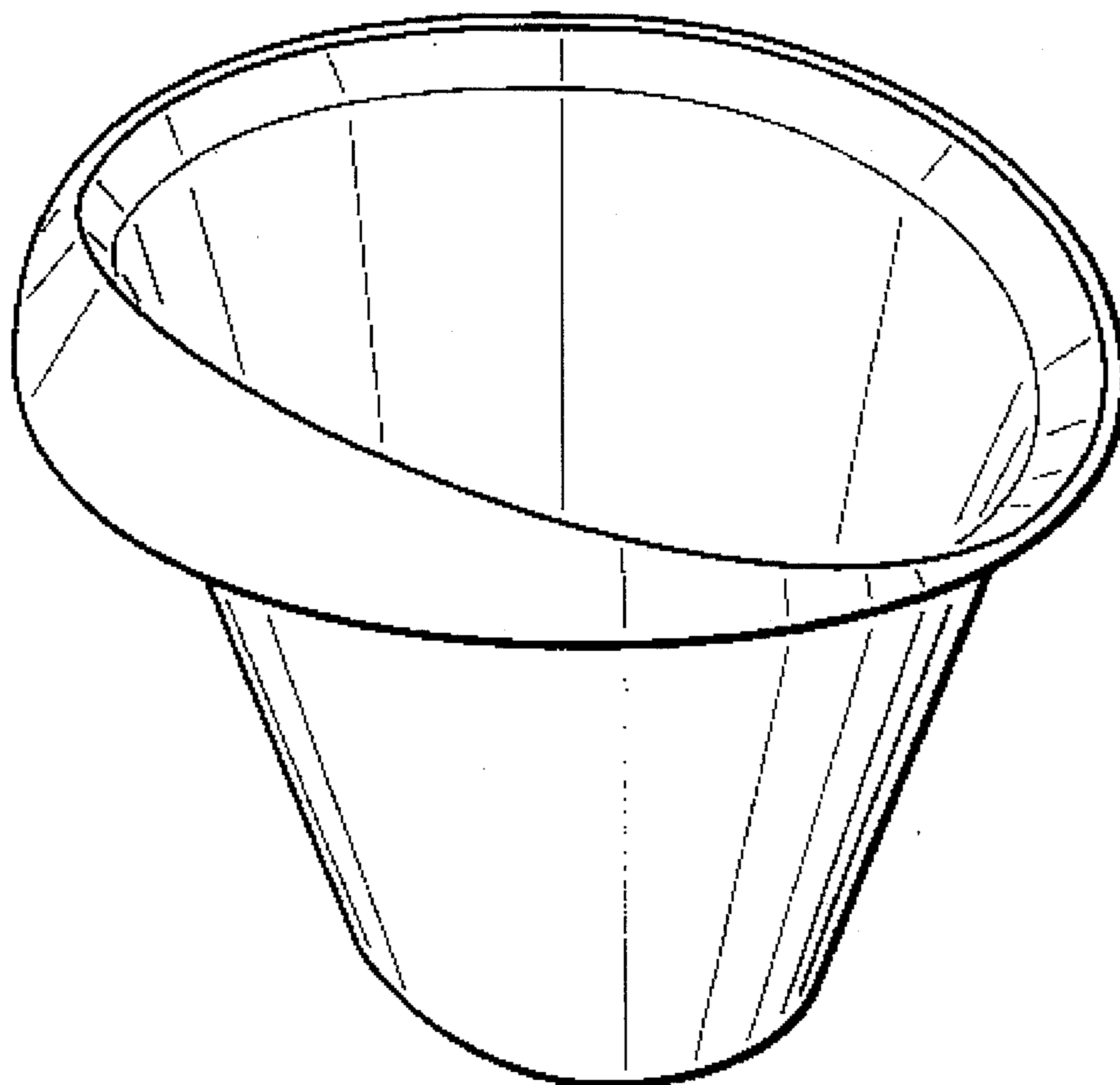
[57] **CLAIM**

The ornamental design for a mixing bowl, as shown and described.

DESCRIPTION

FIG. 1 is a perspective view of the mixing bowl showing my new design;
FIG. 2 is the rear elevational view thereof;
FIG. 3 is the front elevational view thereof;
FIG. 4 is the top plan view thereof;
FIG. 5 is the bottom plan view thereof; and,
FIG. 6 is the left side elevational view; the right side being a mirror image thereof.

1 Claim, 2 Drawing Sheets



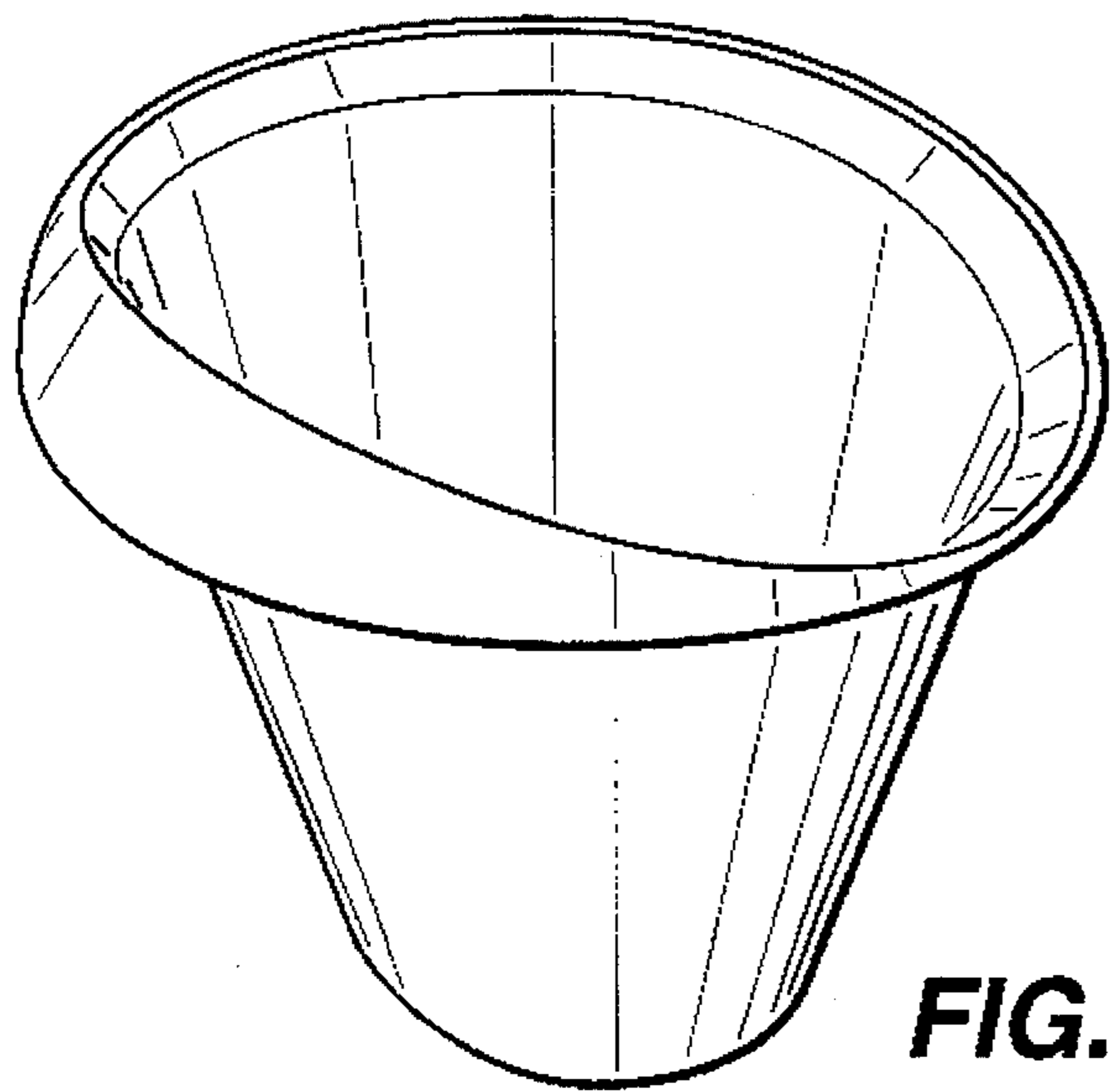


FIG. 1

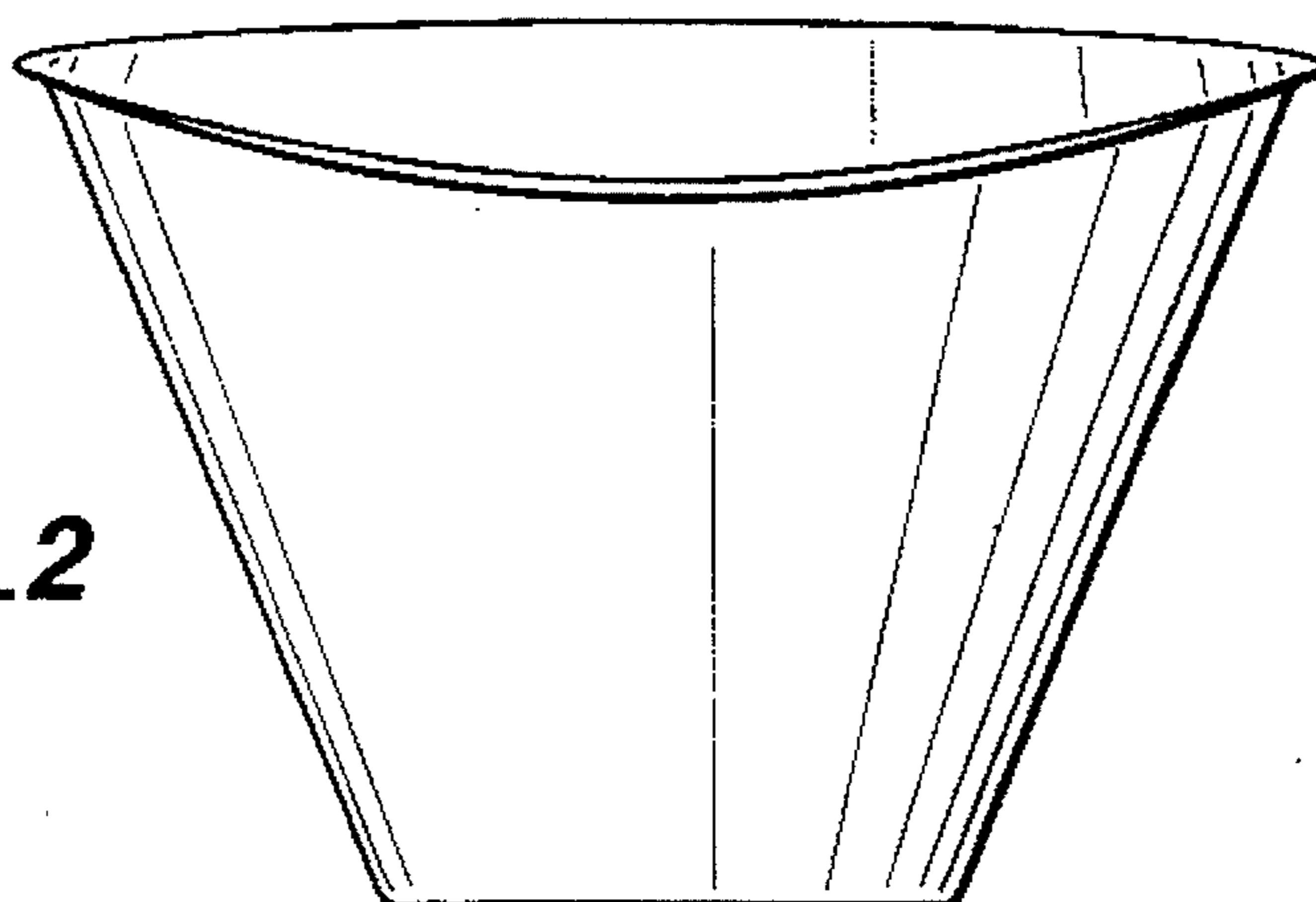


FIG. 2

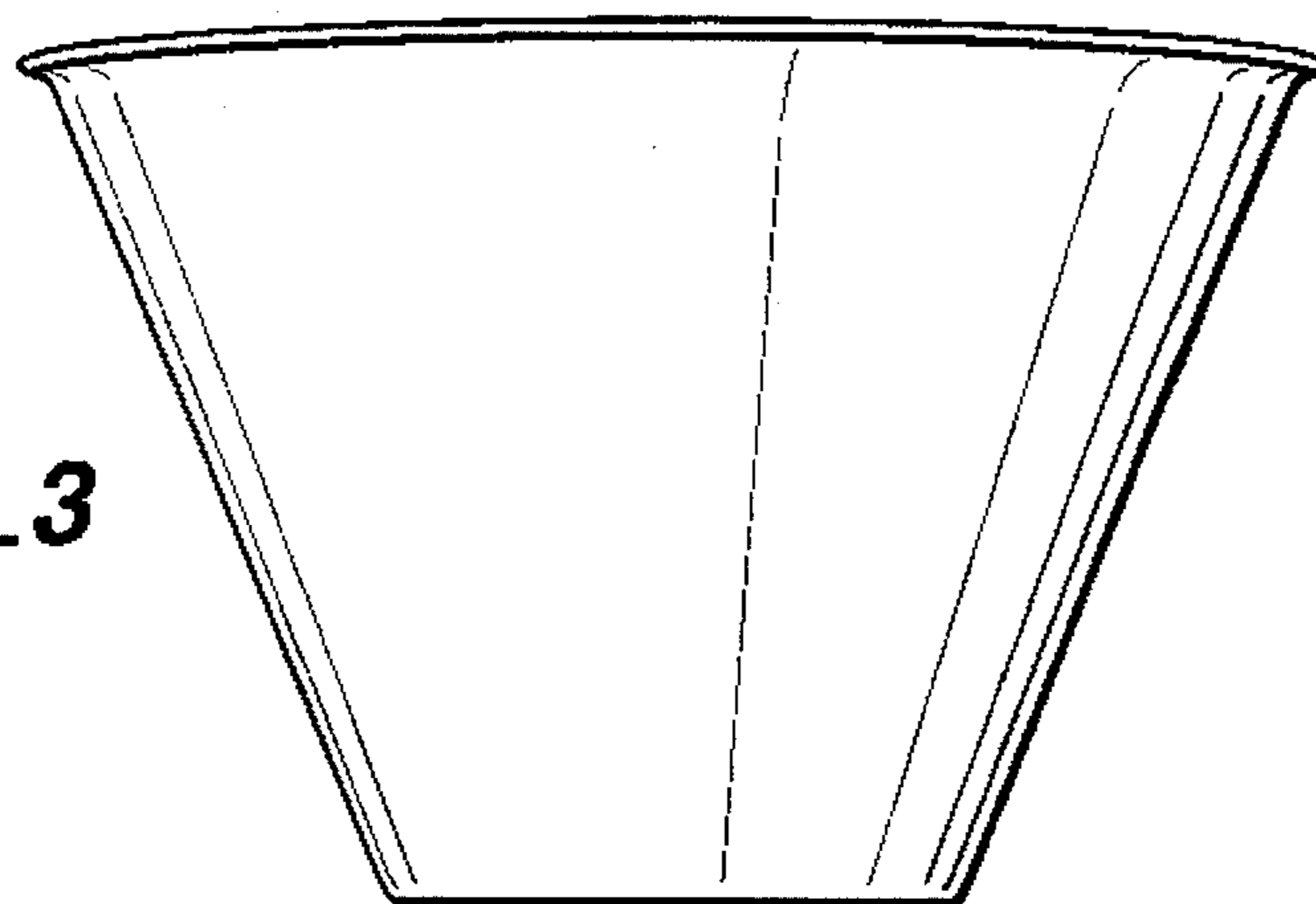


FIG. 3

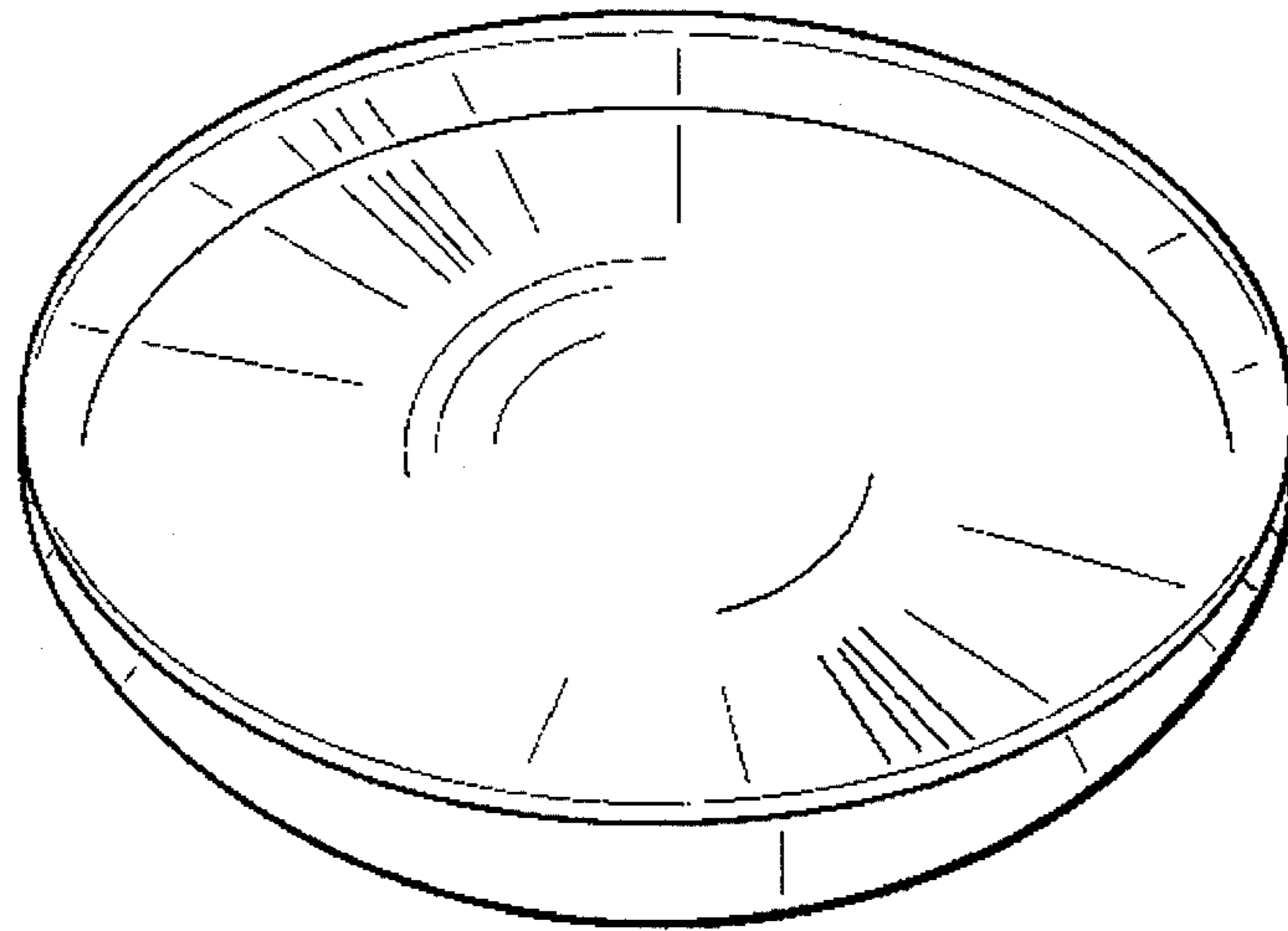


FIG. 4

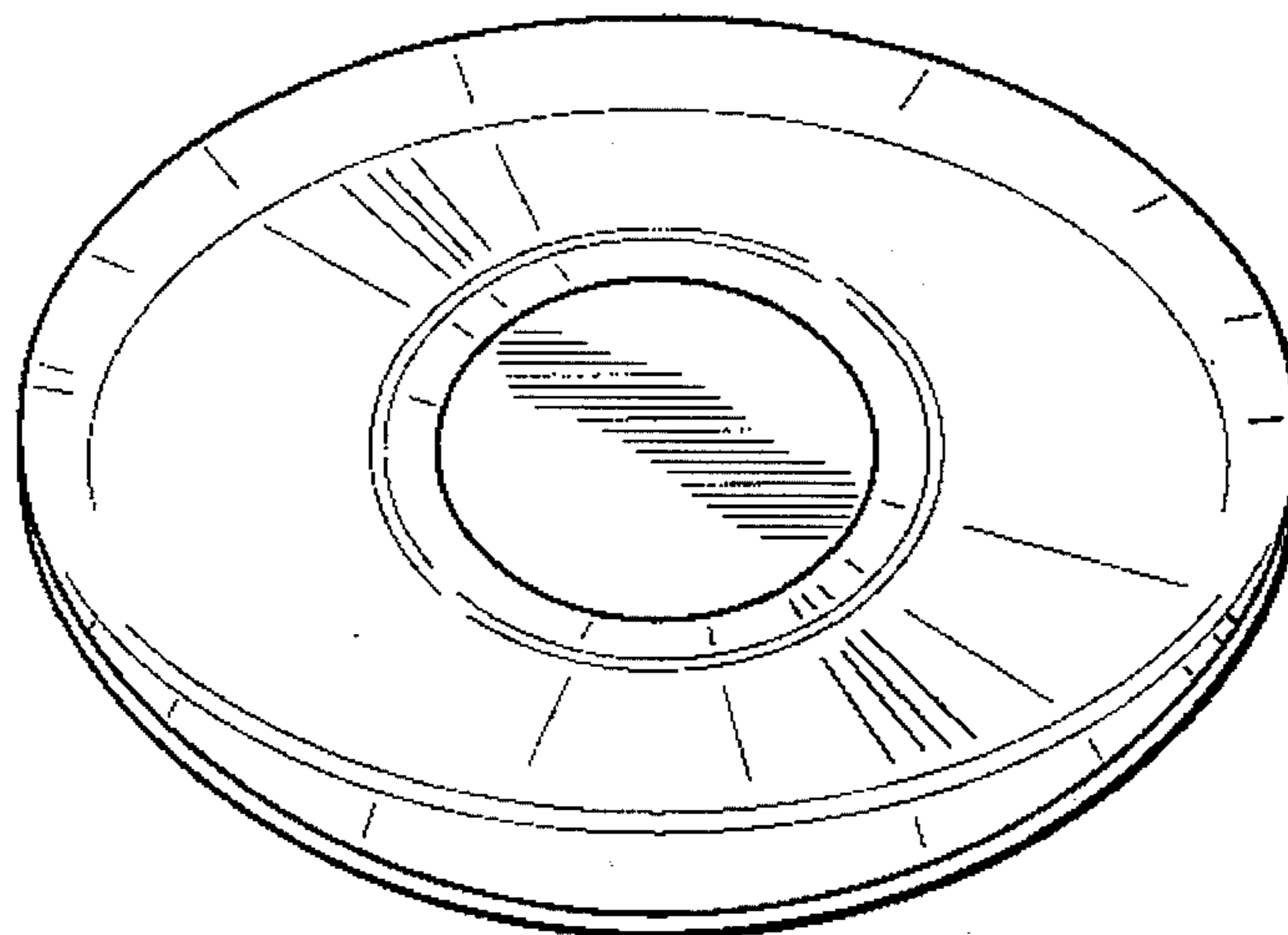


FIG. 5

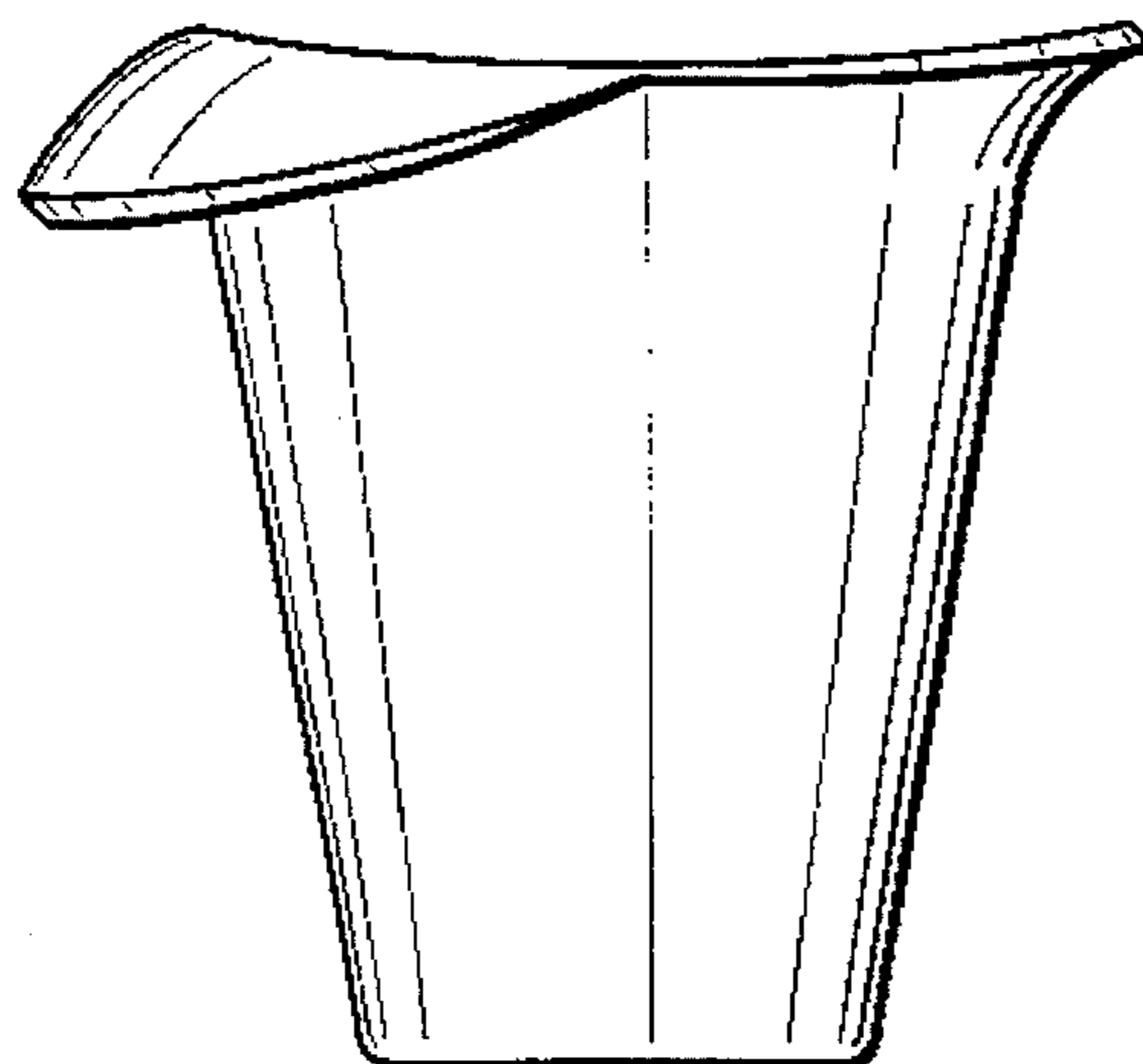


FIG. 6