



US00D371938S

United States Patent [19]

Davis

[11] Patent Number: Des. 371,938

[45] Date of Patent: **Jul. 23, 1996

[54] **FOOD CONTAINER**

[75] Inventor: **Martha Davis**, New York, N.Y.

[73] Assignee: **BC-USA**, New Holland, Pa.

[**] Term: **14 Years**

[21] Appl. No.: **34,749**

[22] Filed: **Feb. 13, 1995**

[52] U.S. Cl. **D7/540; D7/538; D7/354; D7/565**

[58] Field of Search **D7/540, 538, 539, D7/610, 523, 543, 544, 502, 506, 547, 548, 549, 550, 551, 552, 553, 554, 555, 556, 557, 584, 585, 586, 588, 571, 325, 361, 354, 601, 602, 603, 565, 562, 560, 542, 505; 220/671, 555, 575, 427; D9/428, 429**

[56] **References Cited**

U.S. PATENT DOCUMENTS

D. 244,246	5/1977	Daenen	D7/540
D. 280,588	9/1985	Schrage	D7/565 X
D. 284,060	6/1986	Adams	D7/538
D. 285,766	9/1986	Zieff	D7/603
D. 291,398	8/1987	Schmidt	D7/354 X
D. 297,709	9/1988	Willerup	D9/428

D. 309,554	7/1990	Meisner	D7/538 X
D. 342,447	12/1993	Aylward	D9/429
D. 344,875	3/1994	Pomroy et al.	D9/429 X
D. 352,896	11/1994	Jones	D9/428
4,622,948	11/1986	Oh	D7/584 X

OTHER PUBLICATIONS

Royal Worcester Porcelain Souffle dish, *The Pottery Gazette & Glass Trade Review* Aug. 1, 1936, p. 1029.

Ovenproof Souffles (Top Middle) *The Country Gourmet*, p. 60 Oct. 1974.

Casserole Dish (Cover on side) *HFD* p. 114, Mar. 30, 1982.

Primary Examiner—M. N. Pandozzi

Attorney, Agent, or Firm—Vickers, Daniels & Young

[57] **CLAIM**

The ornamental design of a food container, as shown and described.

DESCRIPTION

FIG. 1 is a perspective view of a food container according to the present invention;

FIG. 2 is a side elevational view of the food container shown in FIG. 1;

FIG. 3 is a plan view of the bottom of the container shown in FIG. 1; and,

FIG. 4 is an exploded perspective view of the food container shown in FIG. 1, with the lid raised for ease of illustration to show the interior.

1 Claim, 2 Drawing Sheets

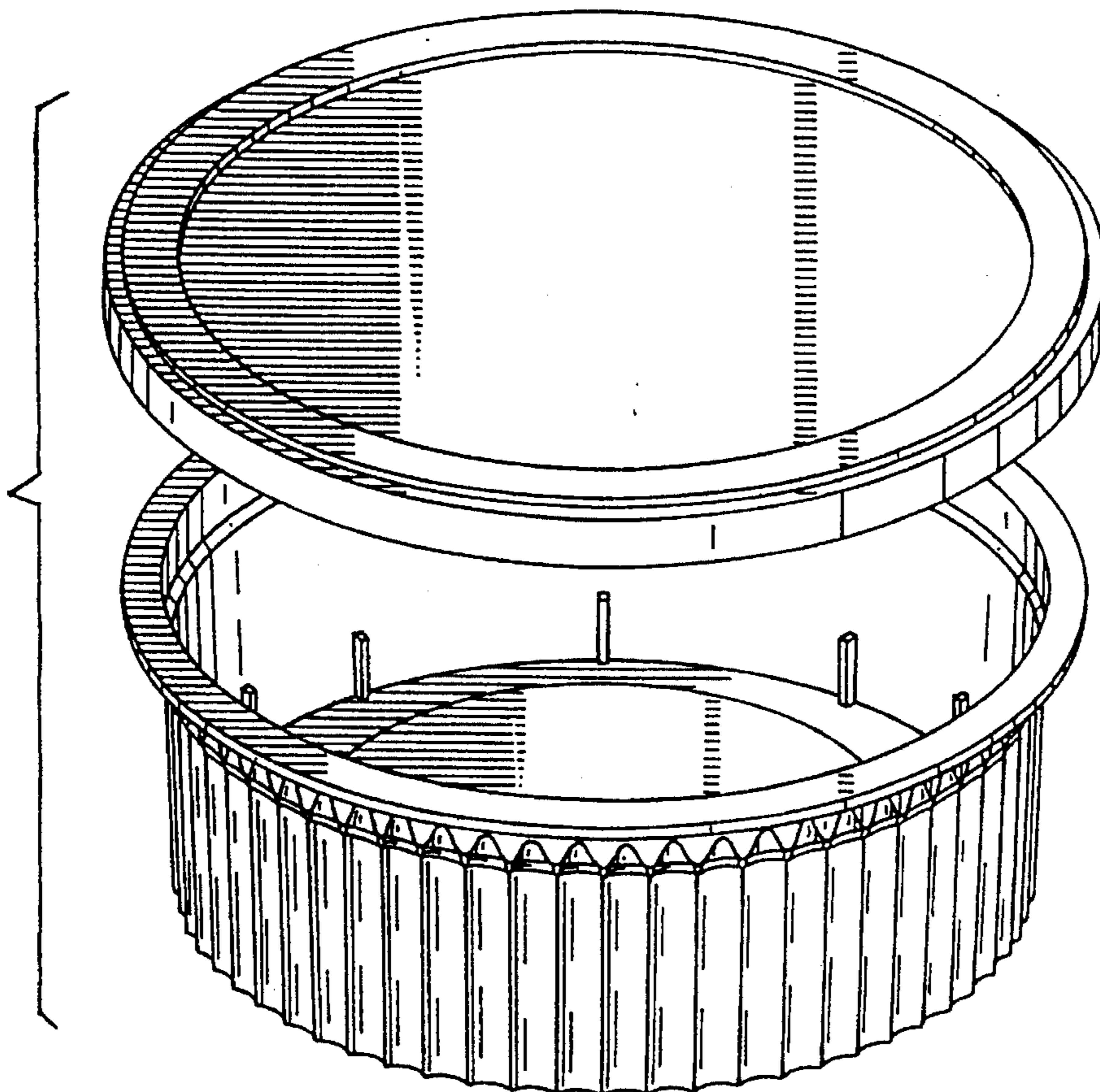


FIG. 1

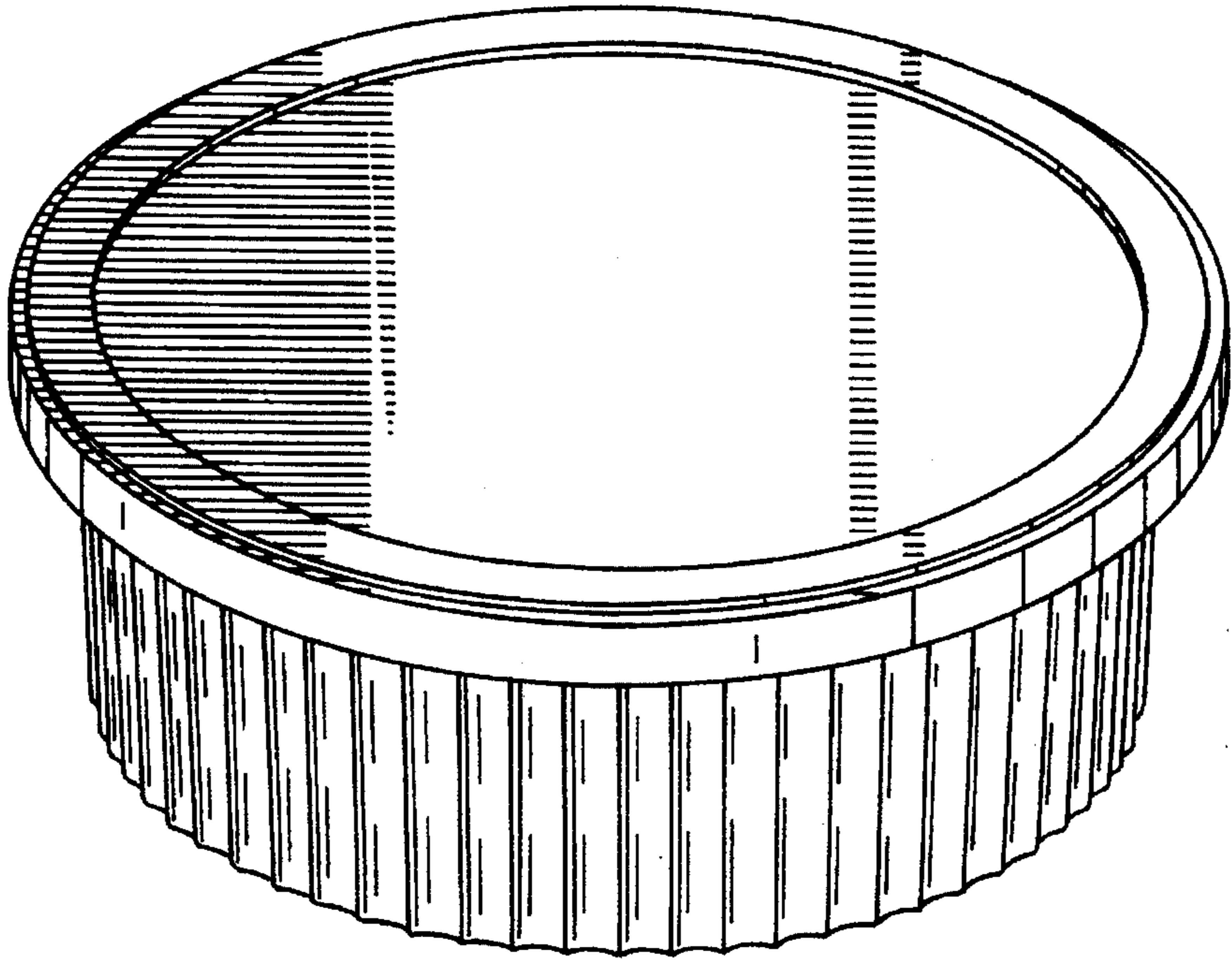


FIG. 2

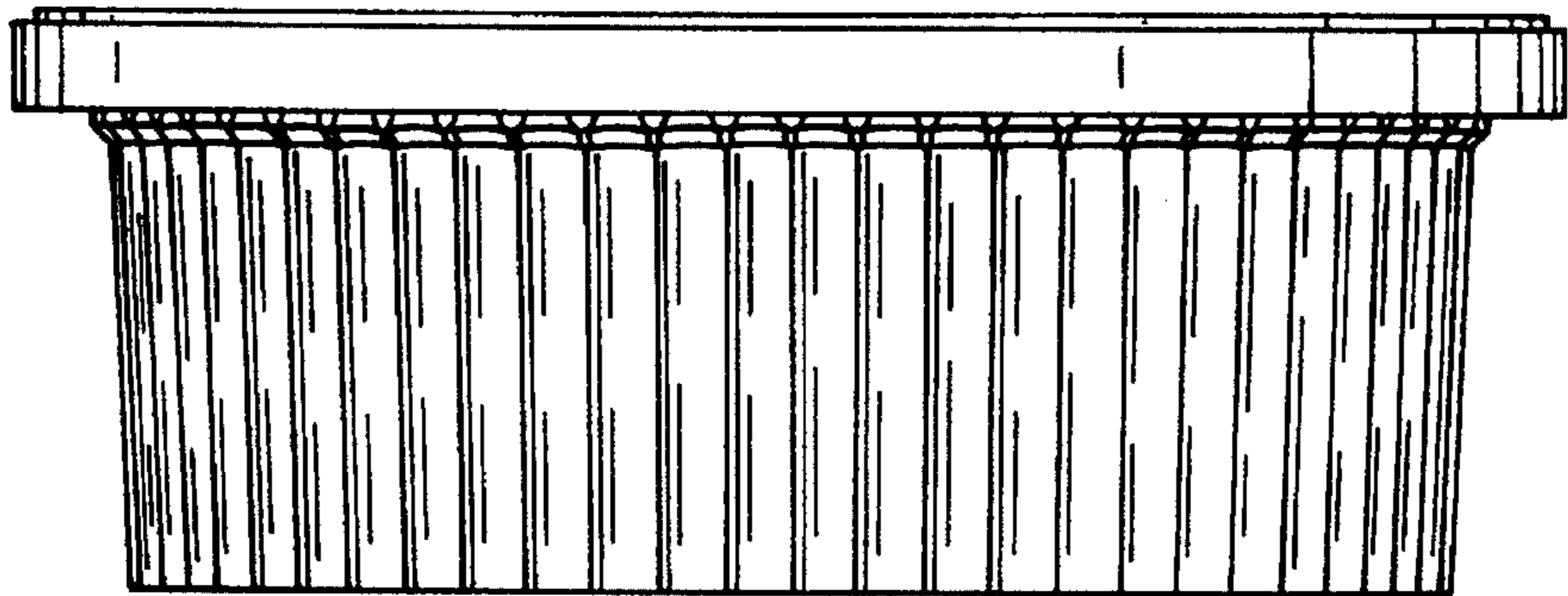


FIG. 3

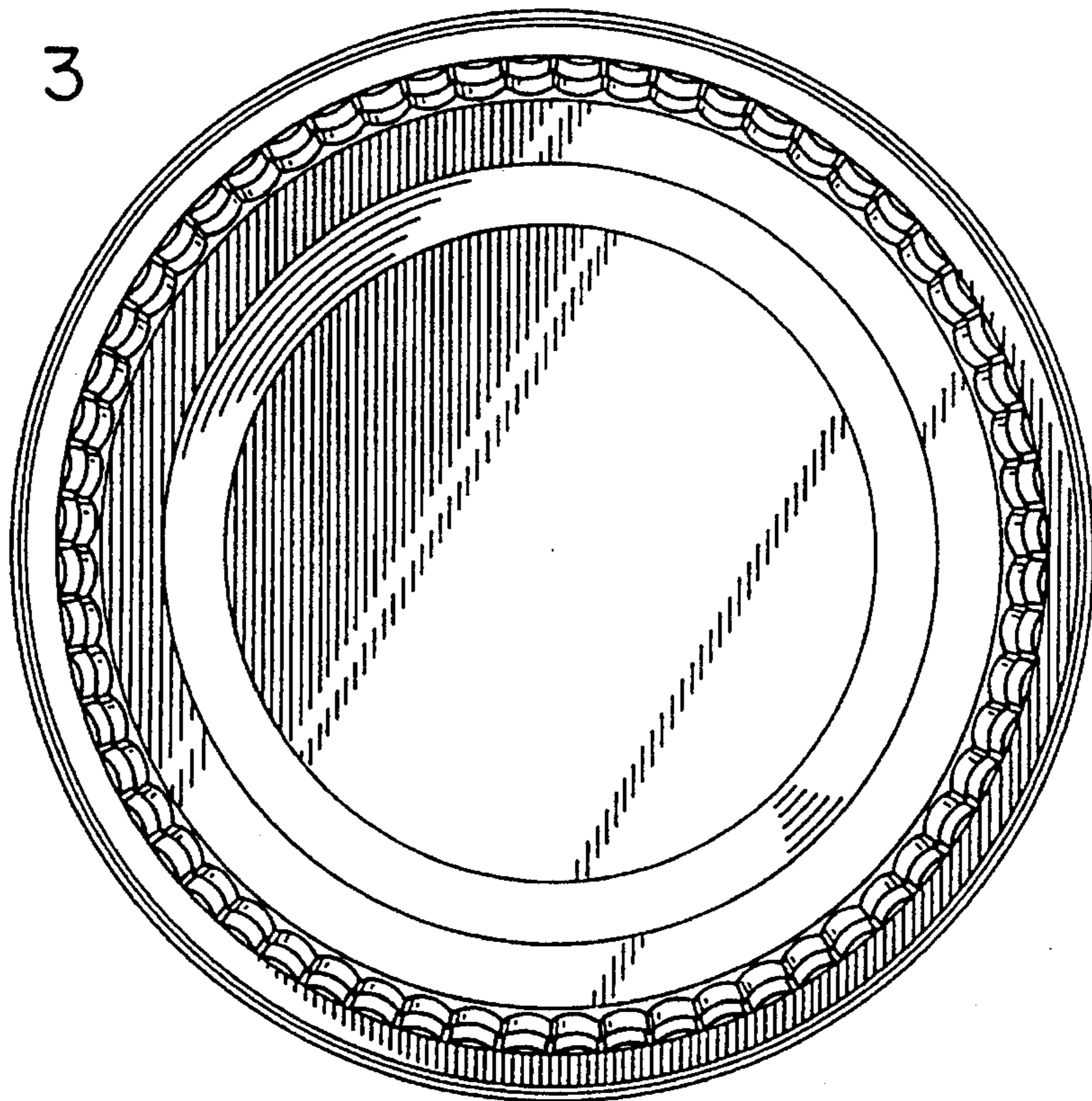


FIG. 4

