



US00D371930S

United States Patent [19]
Huang

[11] **Patent Number: Des. 371,930**
[45] **Date of Patent: **Jul. 23, 1996**

- [54] **BEVERAGE MIXING DEVICE**
- [76] **Inventor: Bu-Shein Huang**, No. 31, Lane 153,
Mei Chun Rd., Ta Li City, Taichung
Hsien, Taiwan
- [**] **Term: 14 Years**
- [21] **Appl. No.: 42,696**
- [22] **Filed: Aug. 15, 1995**
- [52] **U.S. Cl. D7/300.1; D7/376; D7/312**
- [58] **Field of Search D7/300.1, 376,**
D7/413, 377, 312, 305, 300, 313, 316,
370, 321, 371; 222/190

2,092,596	9/1937	Ward	D7/300.1 X
2,106,172	11/1937	Riegel	D7/300.1 X
2,225,250	12/1940	Rodulck	D7/376 X

Primary Examiner—M. N. Pandozzi
Attorney, Agent, or Firm—Bacon & Thomas

[57] **CLAIM**

The ornamental design for beverage mixing device, as shown and described.

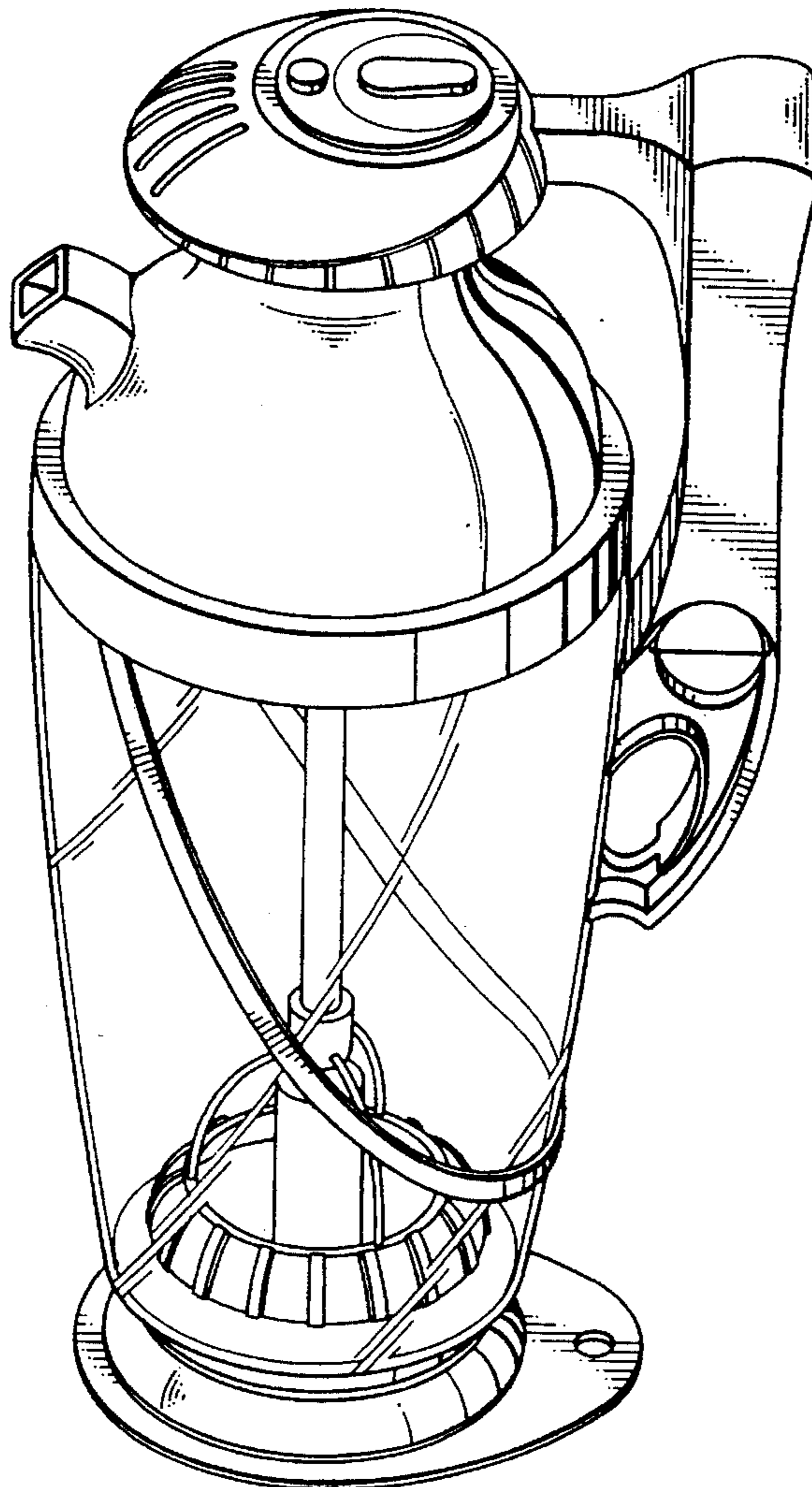
DESCRIPTION

FIG. 1 is a front view of beverage mixing device showing my new design;
 FIG. 2 is a rear view thereof;
 FIG. 3 is a left side view thereof;
 FIG. 4 is a right side view thereof;
 FIG. 5 is a top plan view thereof;
 FIG. 6 is a bottom plan view thereof; and,
 FIG. 7 is a perspective view thereof.

[56] **References Cited**
U.S. PATENT DOCUMENTS

D. 48,354	12/1915	Mischler	D7/300.1 X
D. 121,052	6/1940	Ward	D7/300.1
D. 232,694	9/1979	Iwagami	D7/376
1,174,825	3/1916	Copeland	D7/300.1 X
1,563,413	12/1925	Whitcomb	D7/300.1 X

1 Claim, 3 Drawing Sheets



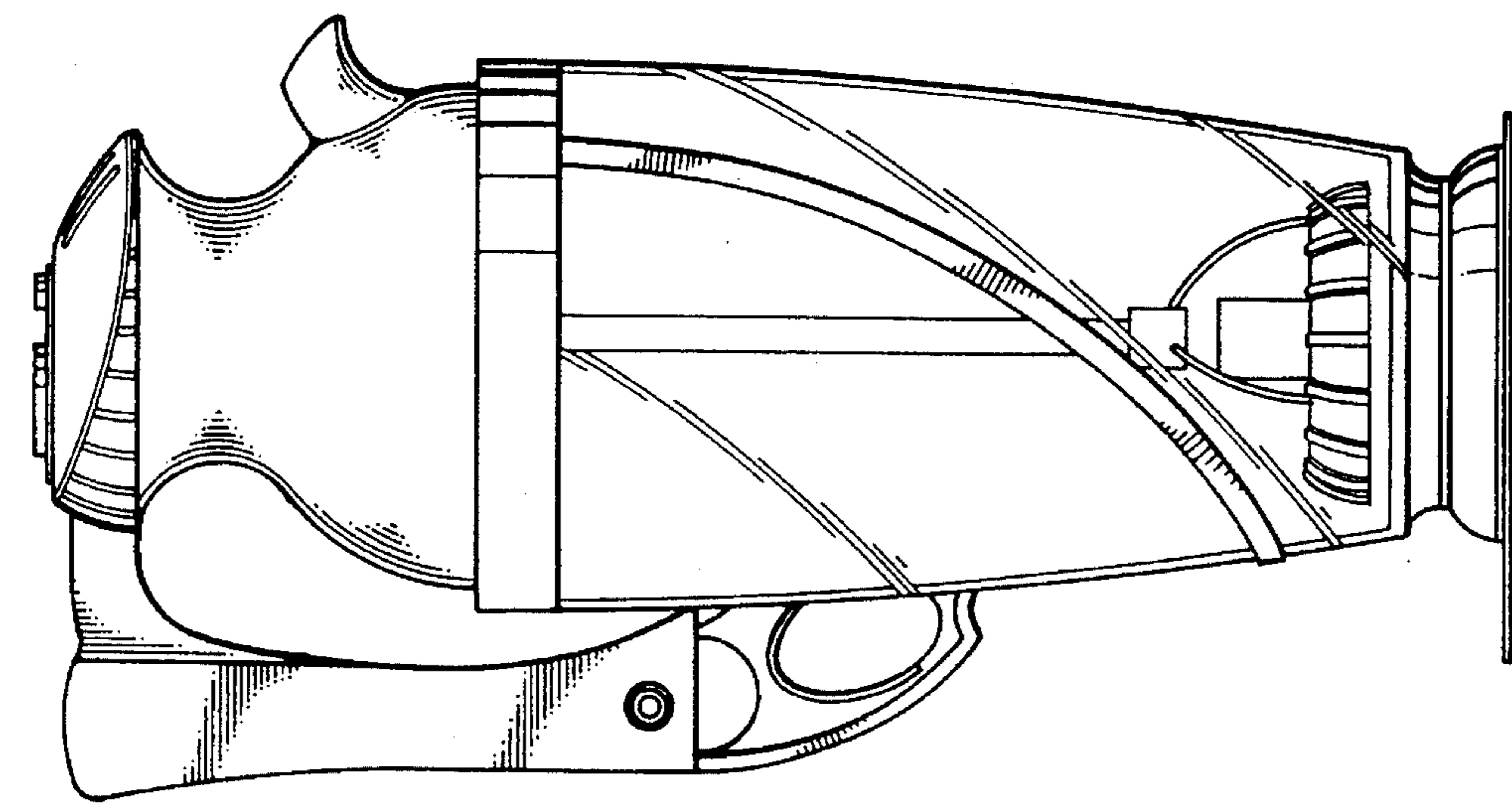


FIG. 1

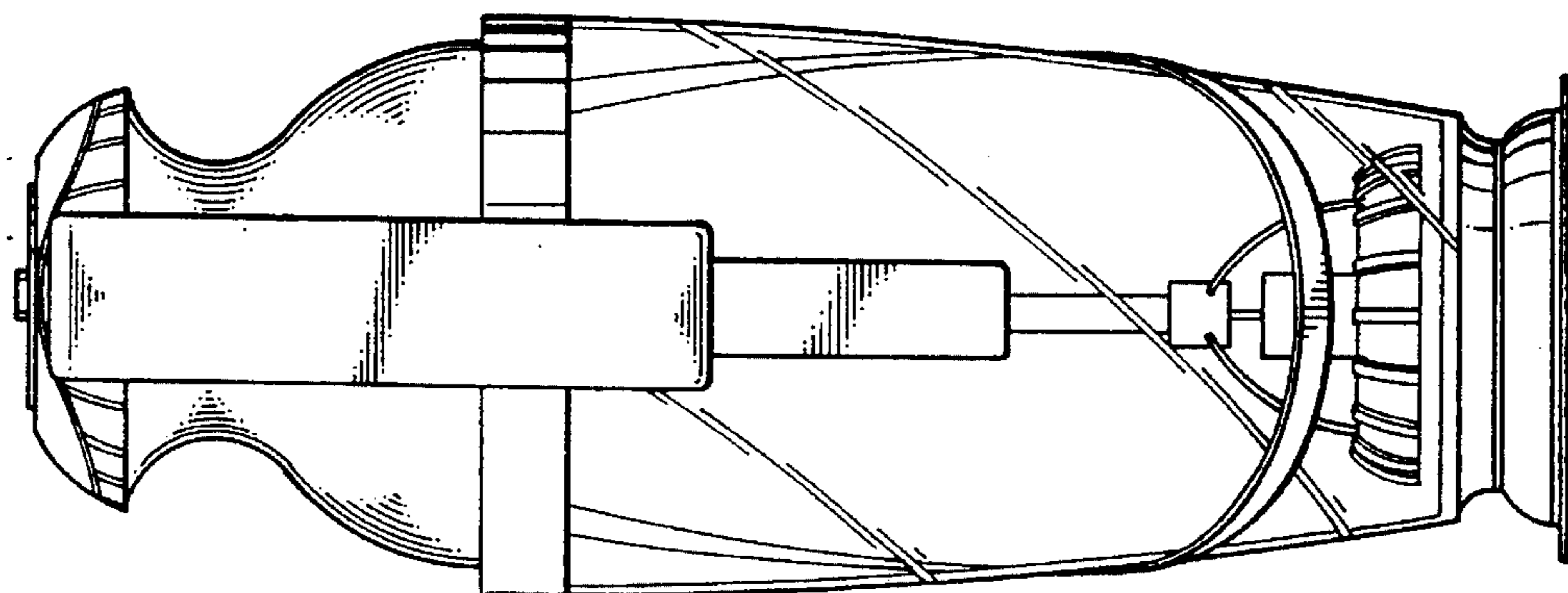


FIG. 2

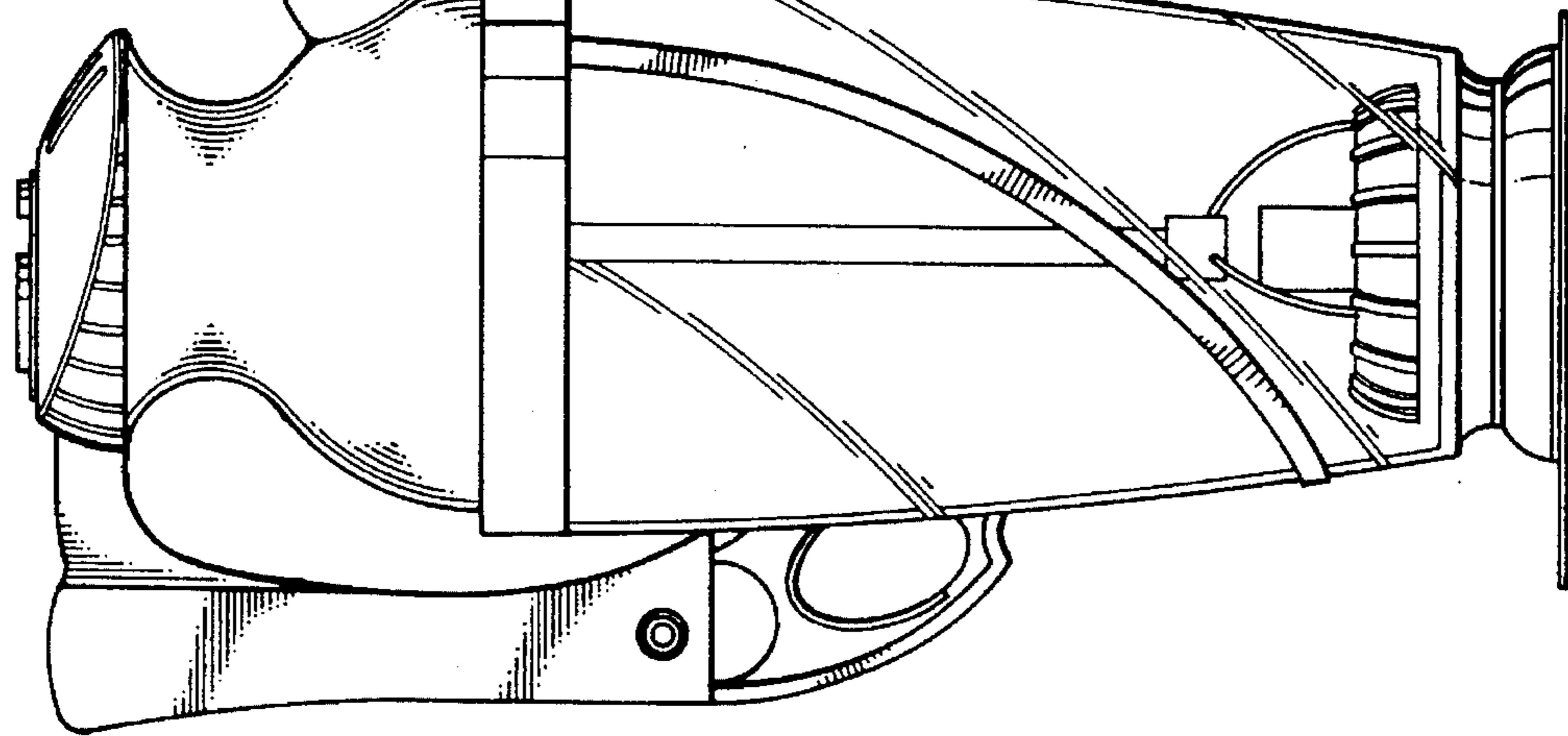


FIG. 3

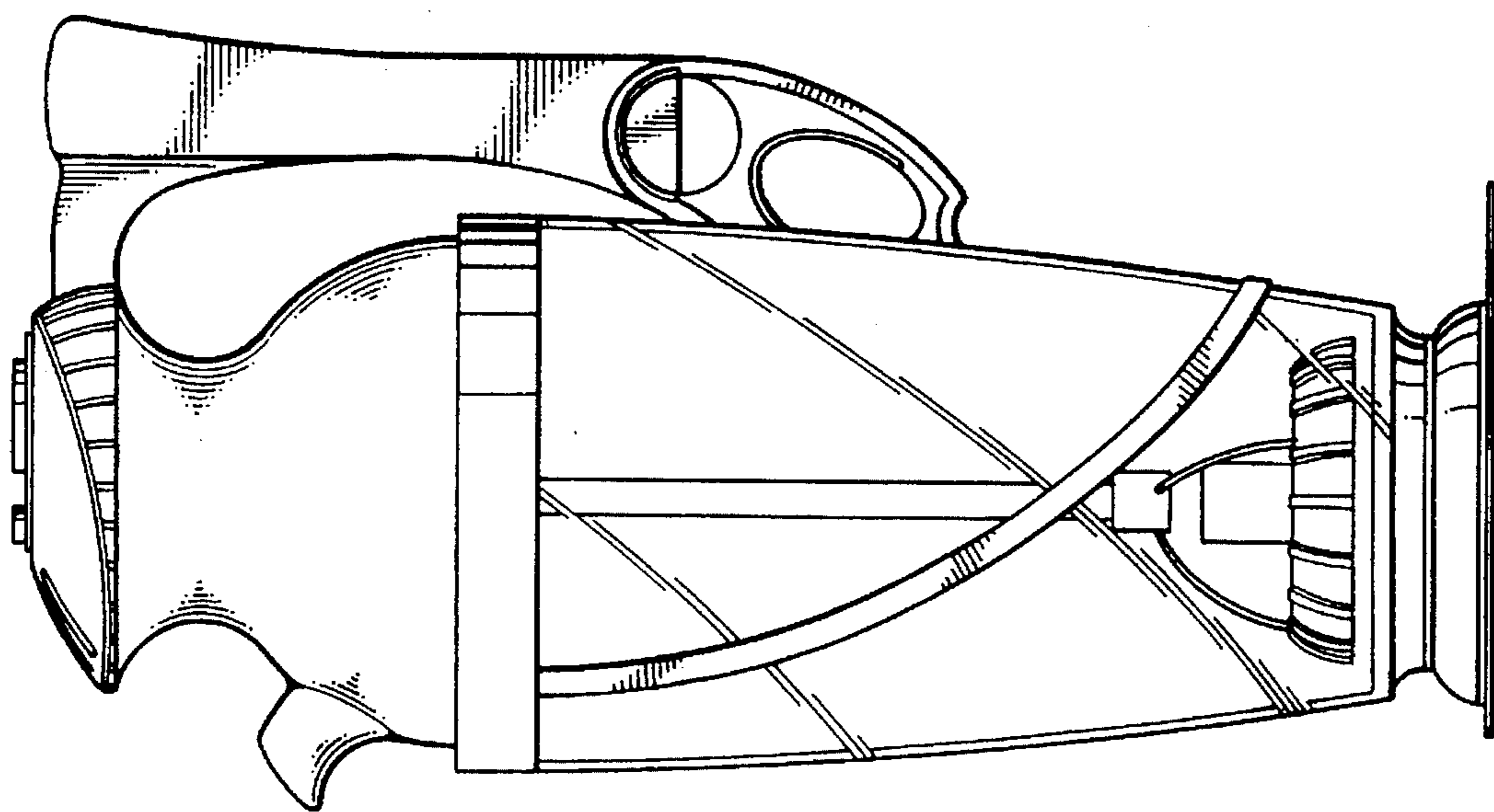


FIG. 4

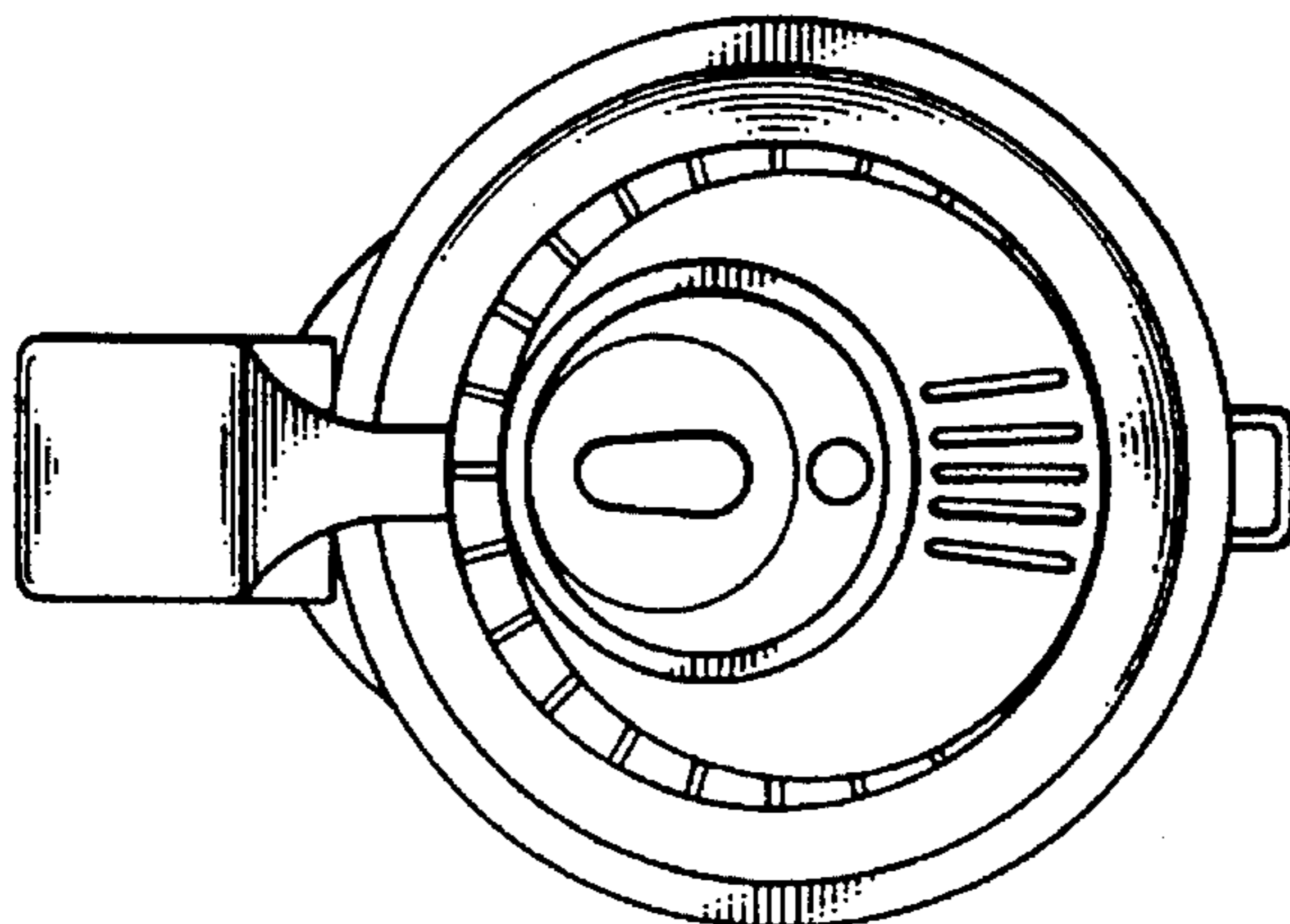


FIG. 5

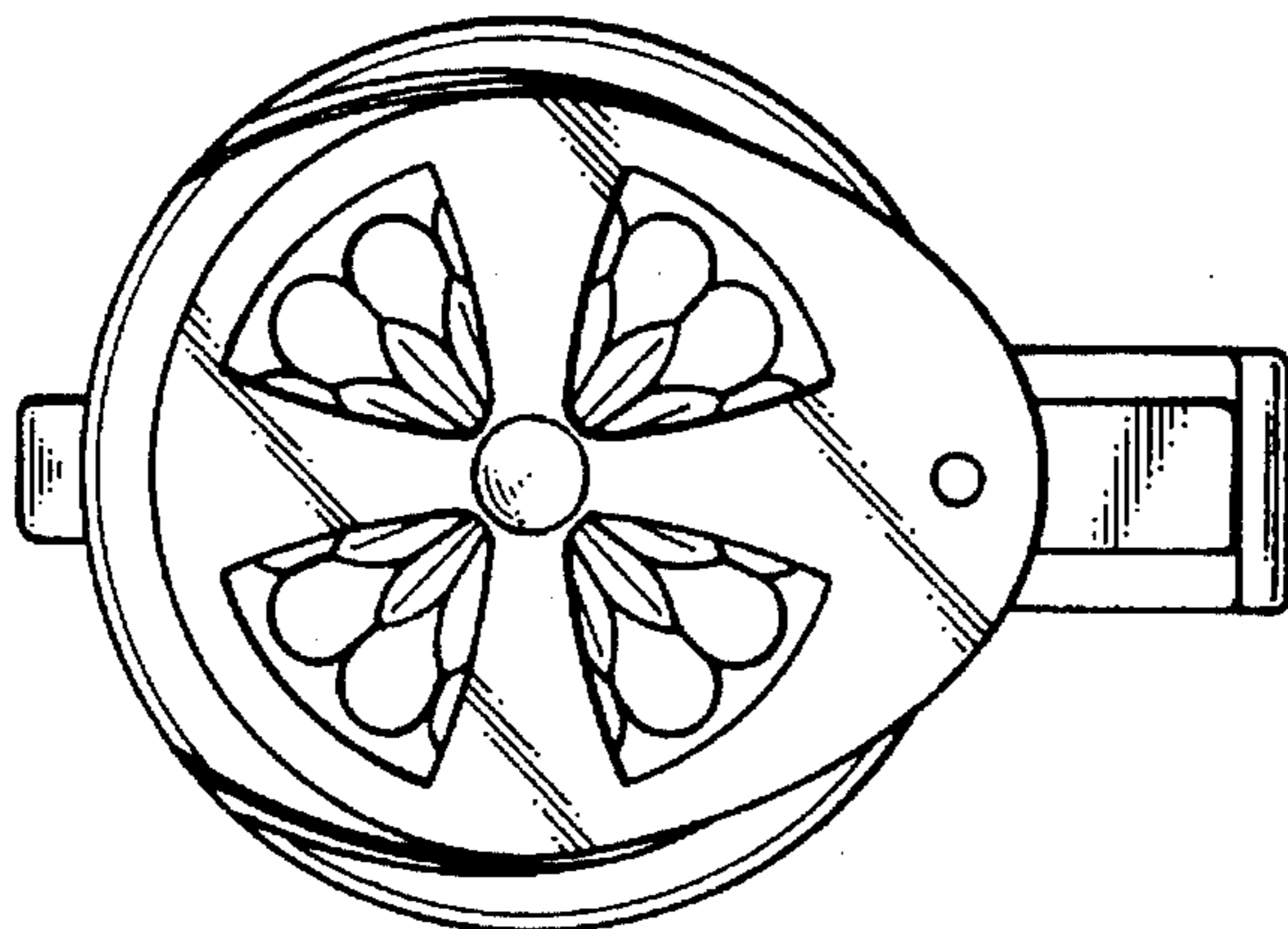


FIG. 6

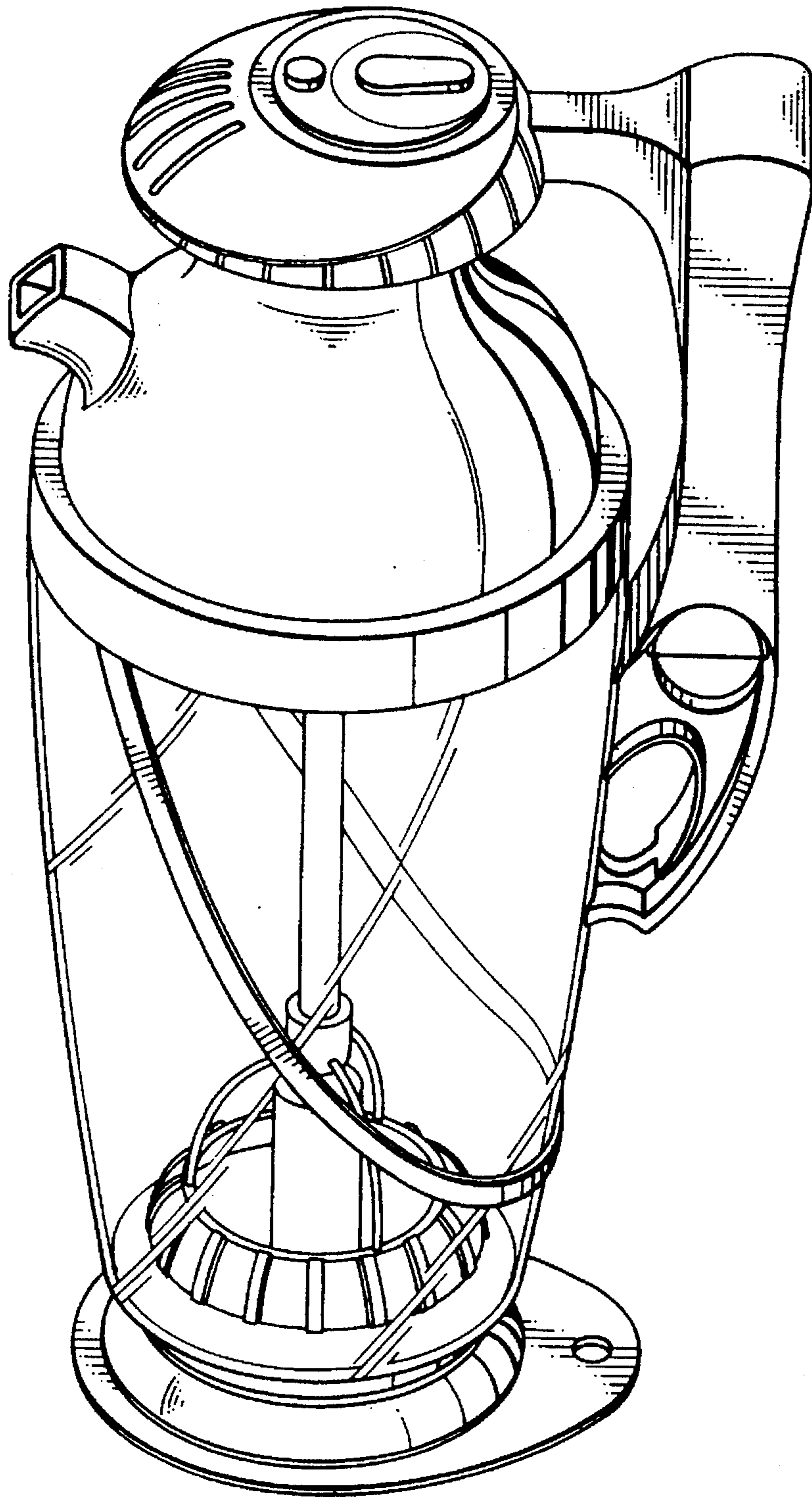


FIG. 7