



US00D371926S

United States Patent [19] Powell

[11] Patent Number: Des. 371,926
[45] Date of Patent: **Jul. 23, 1996

[54] INTEGRAL FLOWER POT AND SAUCER

W. Carrithers

[76] Inventor: Anita Powell, 340 E. Walnut St.,
Elberfeld, Ind. 47613

[57] CLAIM

[**] Term: 14 Years

The ornamental design for an integral flower pot and saucer,
as shown and described.

[21] Appl. No.: 38,652

DESCRIPTION

[22] Filed: May 11, 1995

[52] U.S. Cl. D6/556

[58] Field of Search D6/553, 556, 557,
D6/567, 403, 404; D11/143, 152, 155;
47/41.01, 41.15; 211/60.1, 87-88

FIG. 1 is a top plan view of an integral flower pot and saucer
showing my new design;

FIG. 2 is a left side elevational view thereof;

FIG. 3 is a top and front perspective view thereof;

FIG. 4 is a right side elevational view thereof;

FIG. 5 is a bottom plan view thereof;

FIG. 6 is a rear perspective view thereof;

FIG. 7 is a front elevational view thereof;

FIG. 8 is a rear elevational view thereof; and,

FIG. 9 is a left side elevational view thereof, with the broken
line disclosure of a portion of wall and flowers being for
illustrative purposes only and forming no part of the claimed
design.

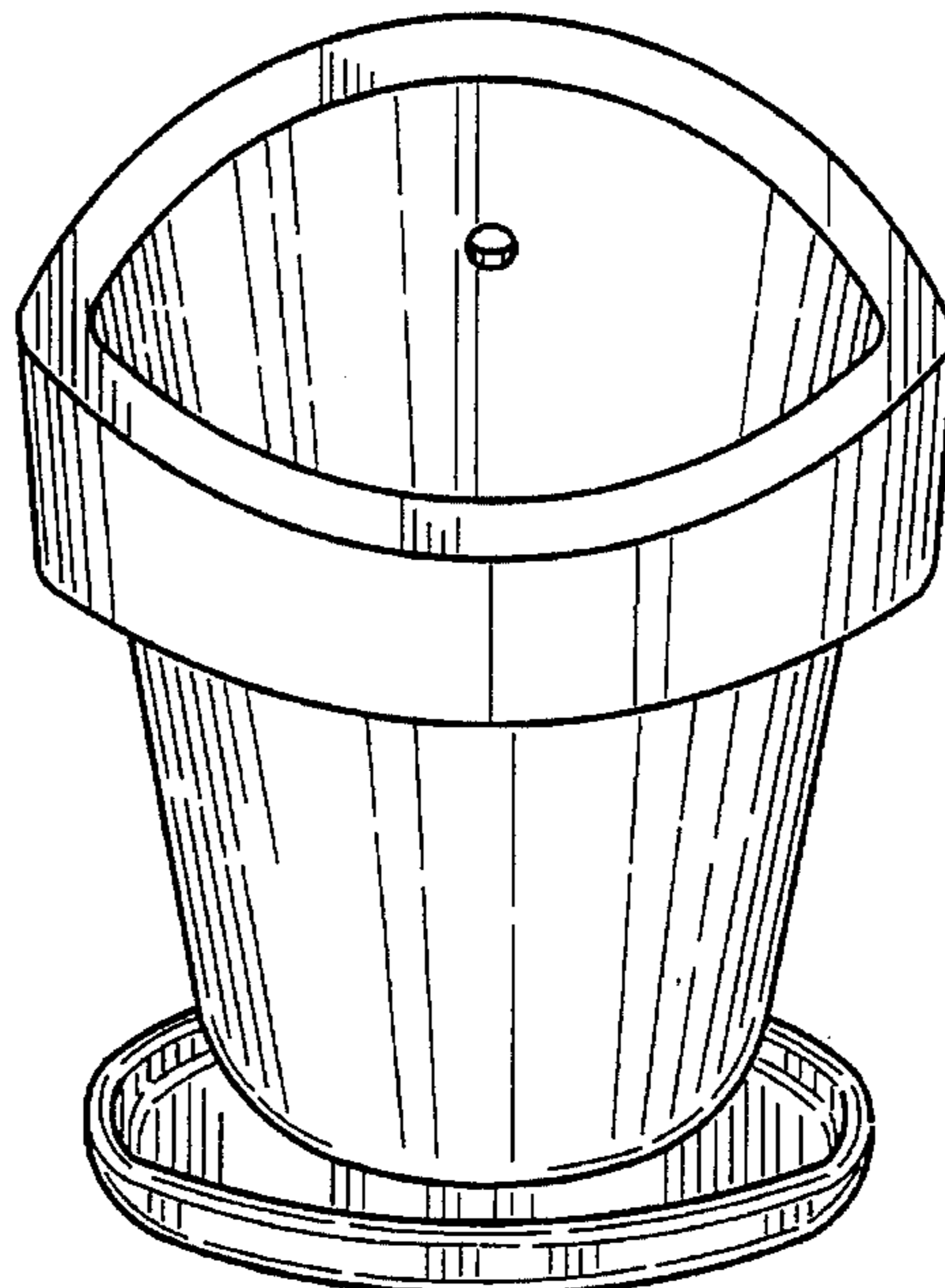
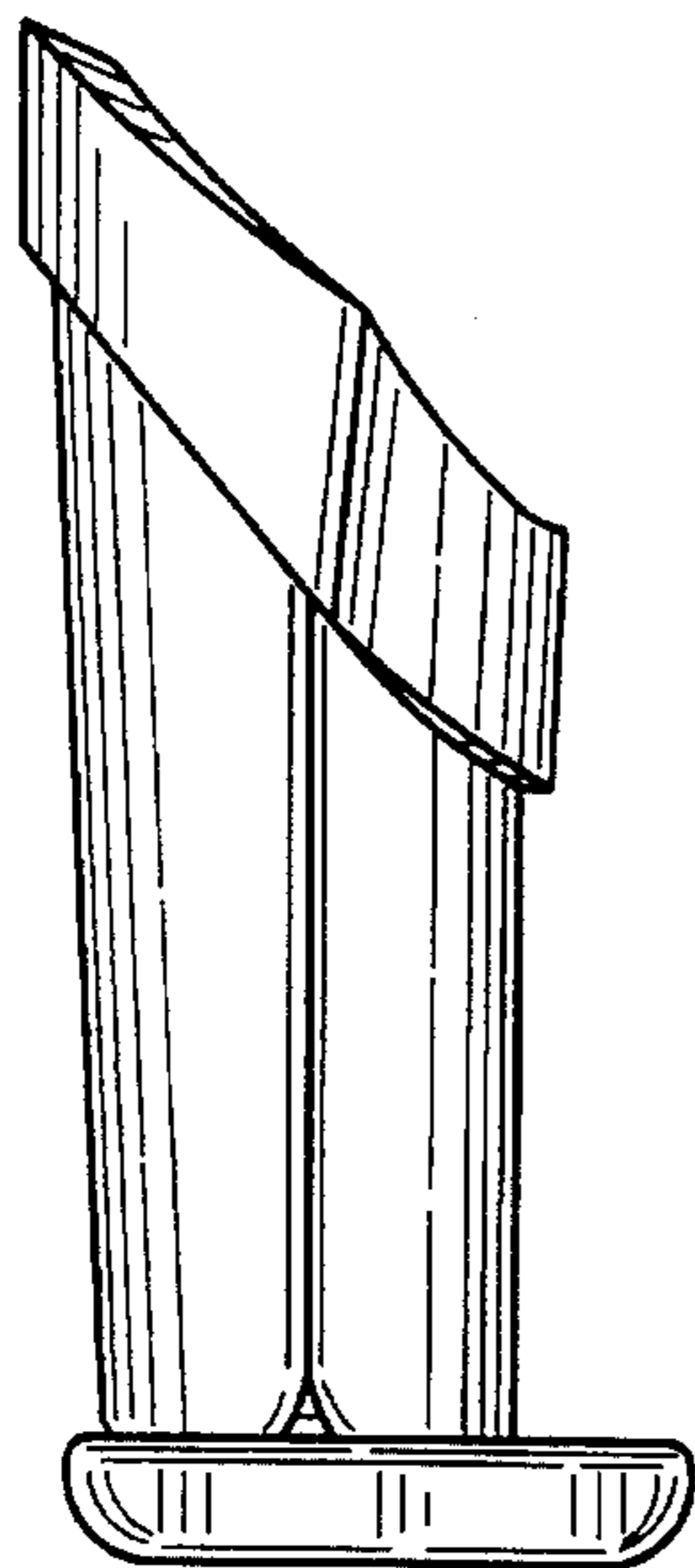
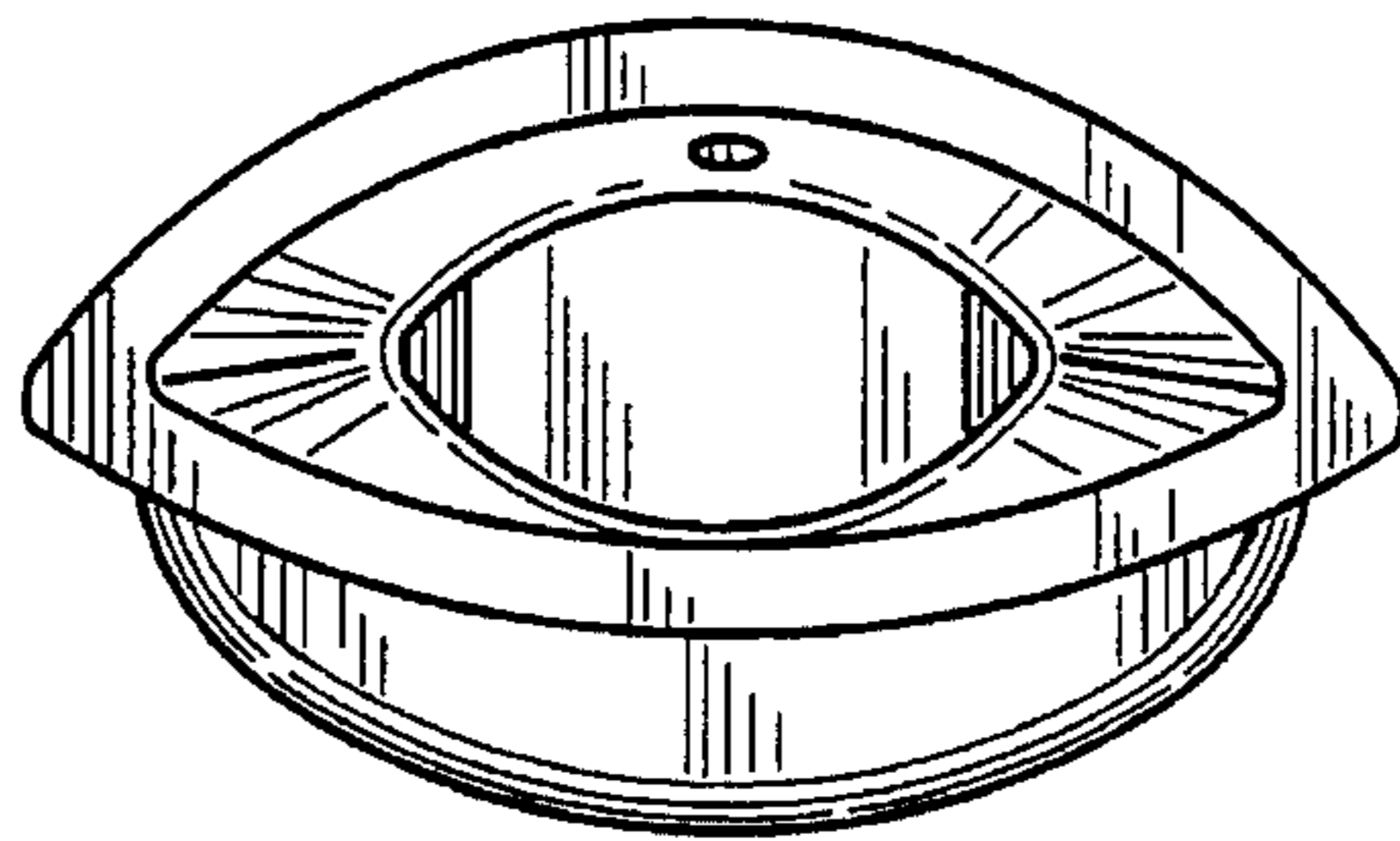
[56] References Cited

U.S. PATENT DOCUMENTS

- D. 149,979 6/1948 Solstone .
- D. 258,255 2/1981 Peck .
- D. 297,601 9/1988 Grossman et al. .
- D. 315,532 3/1991 Belokin, Jr. .

Primary Examiner—Brian N. Vinson
Attorney, Agent, or Firm—Middleton & Reutlinger; David

1 Claim, 2 Drawing Sheets



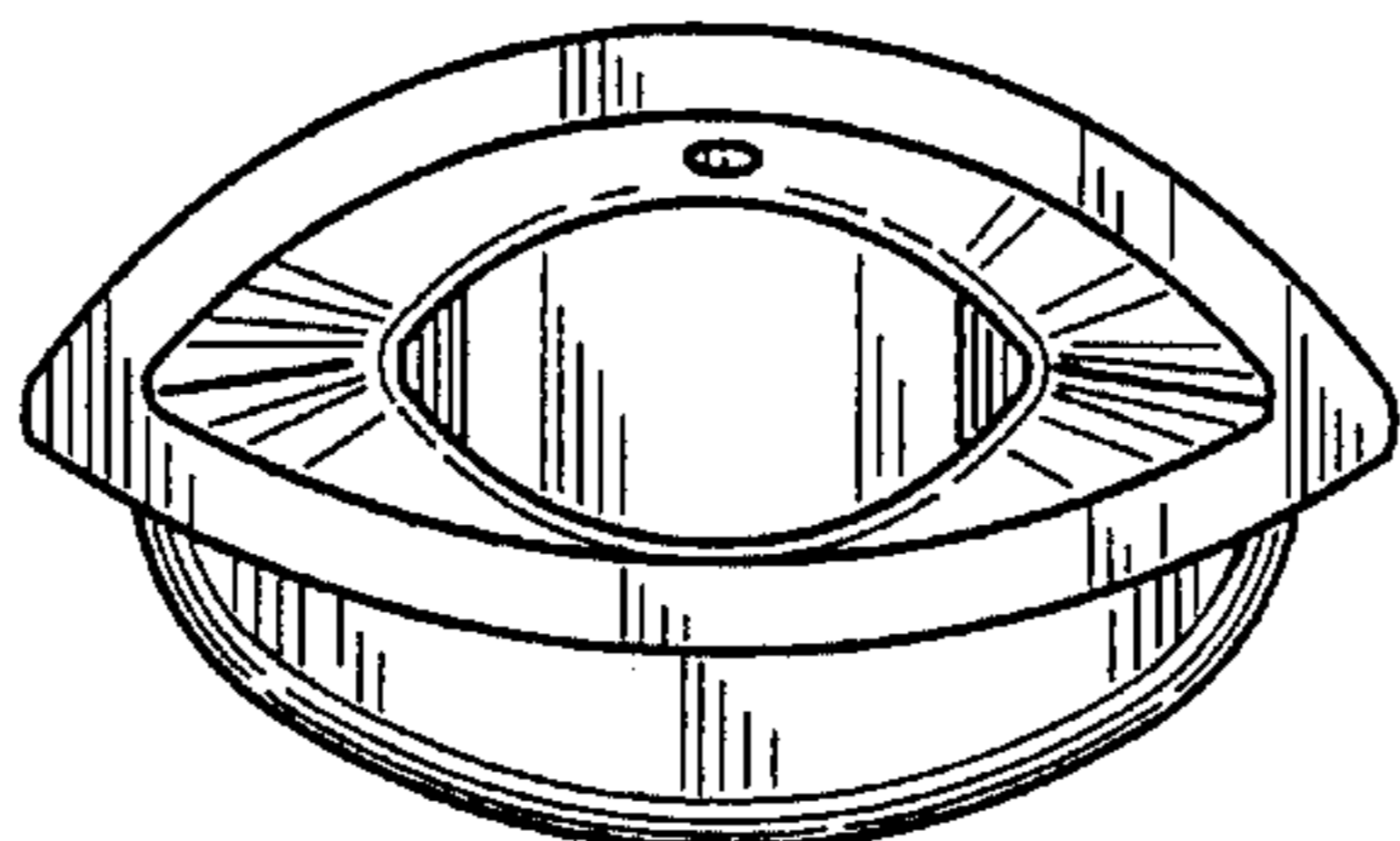


FIG. 1

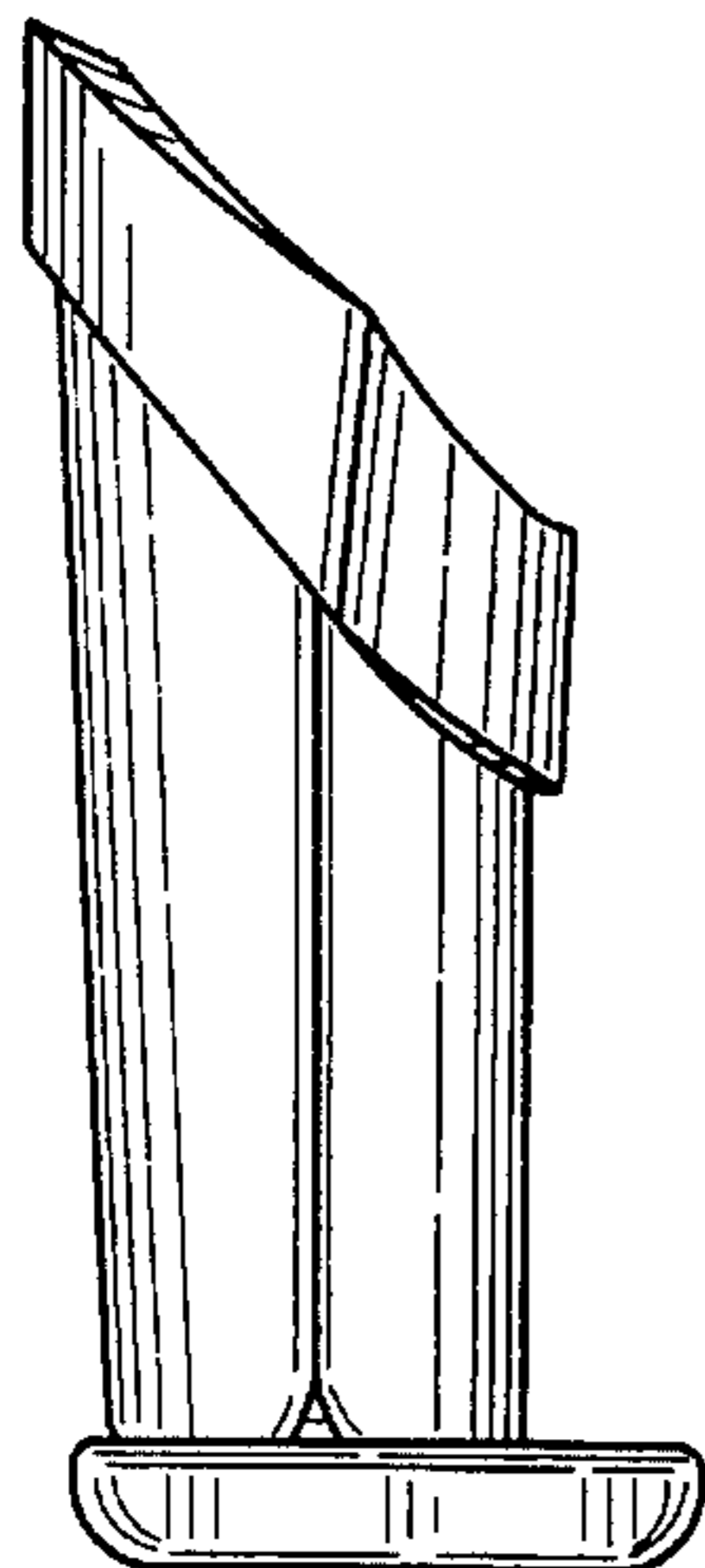


FIG. 2

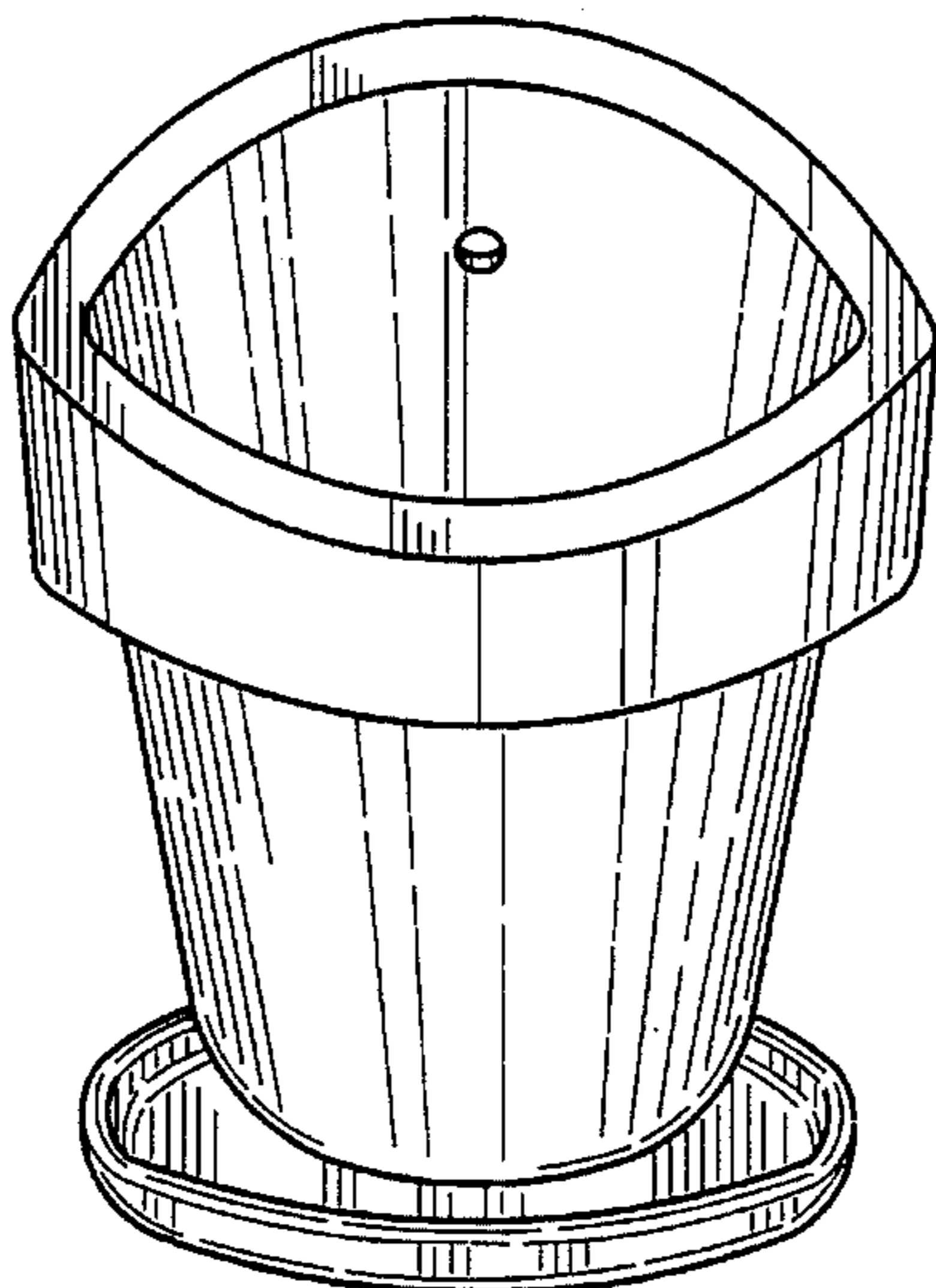


FIG. 3

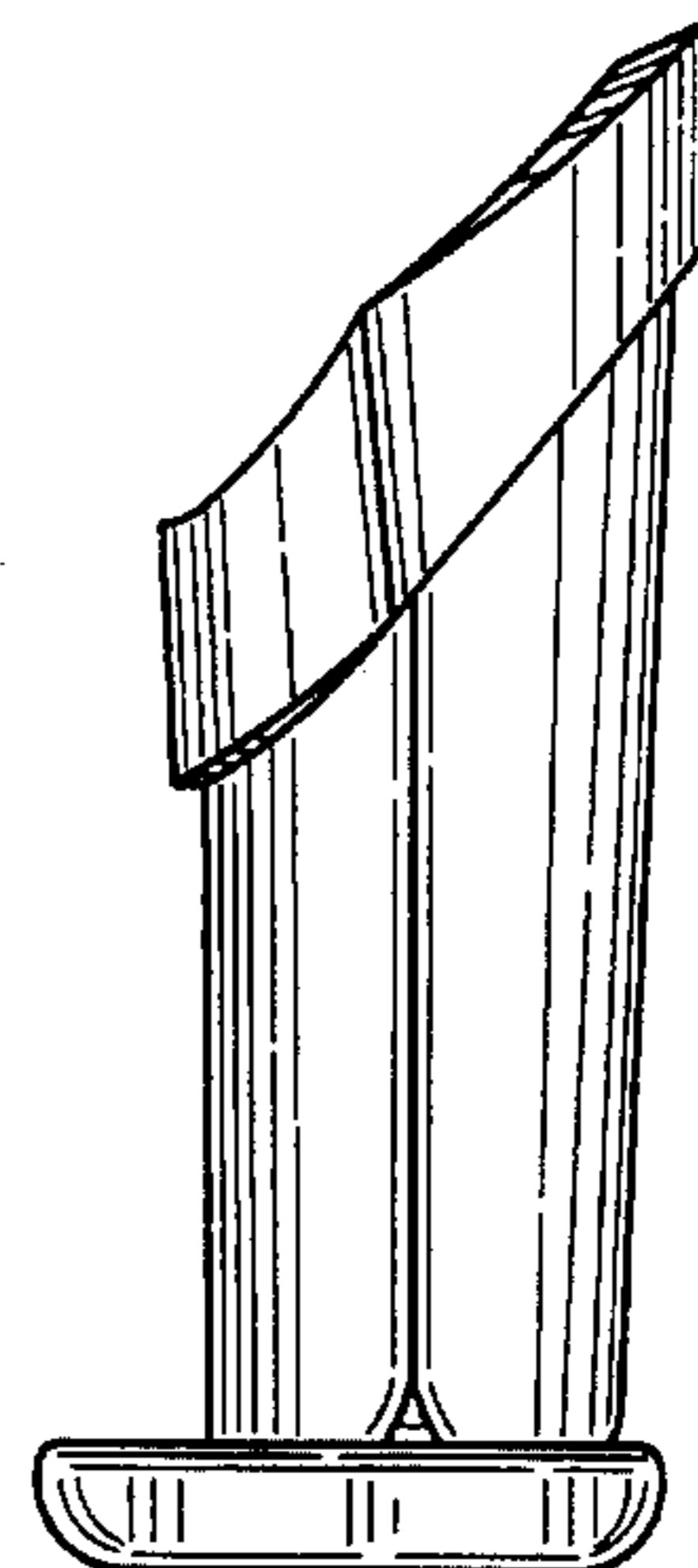


FIG. 4

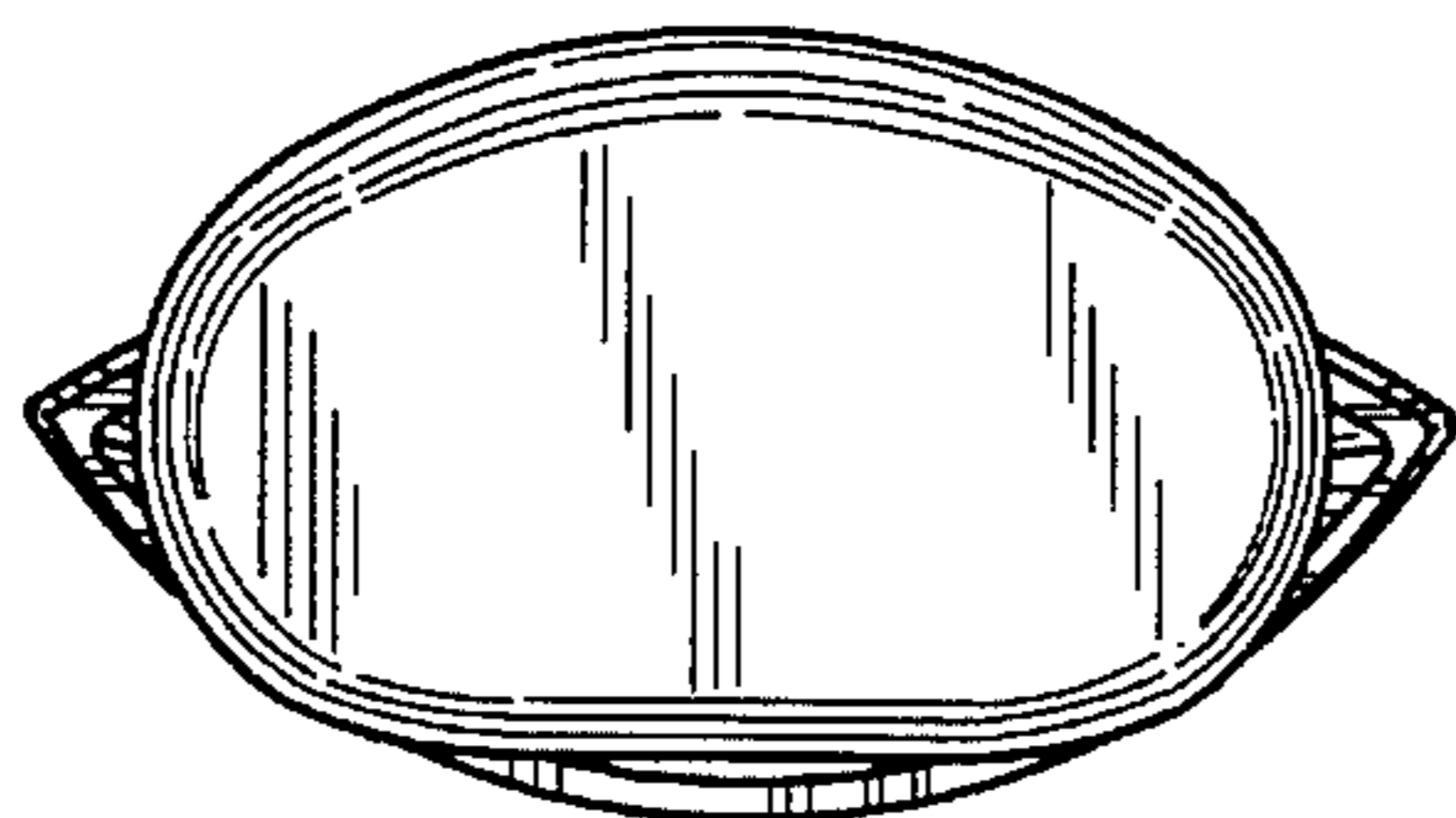


FIG. 5

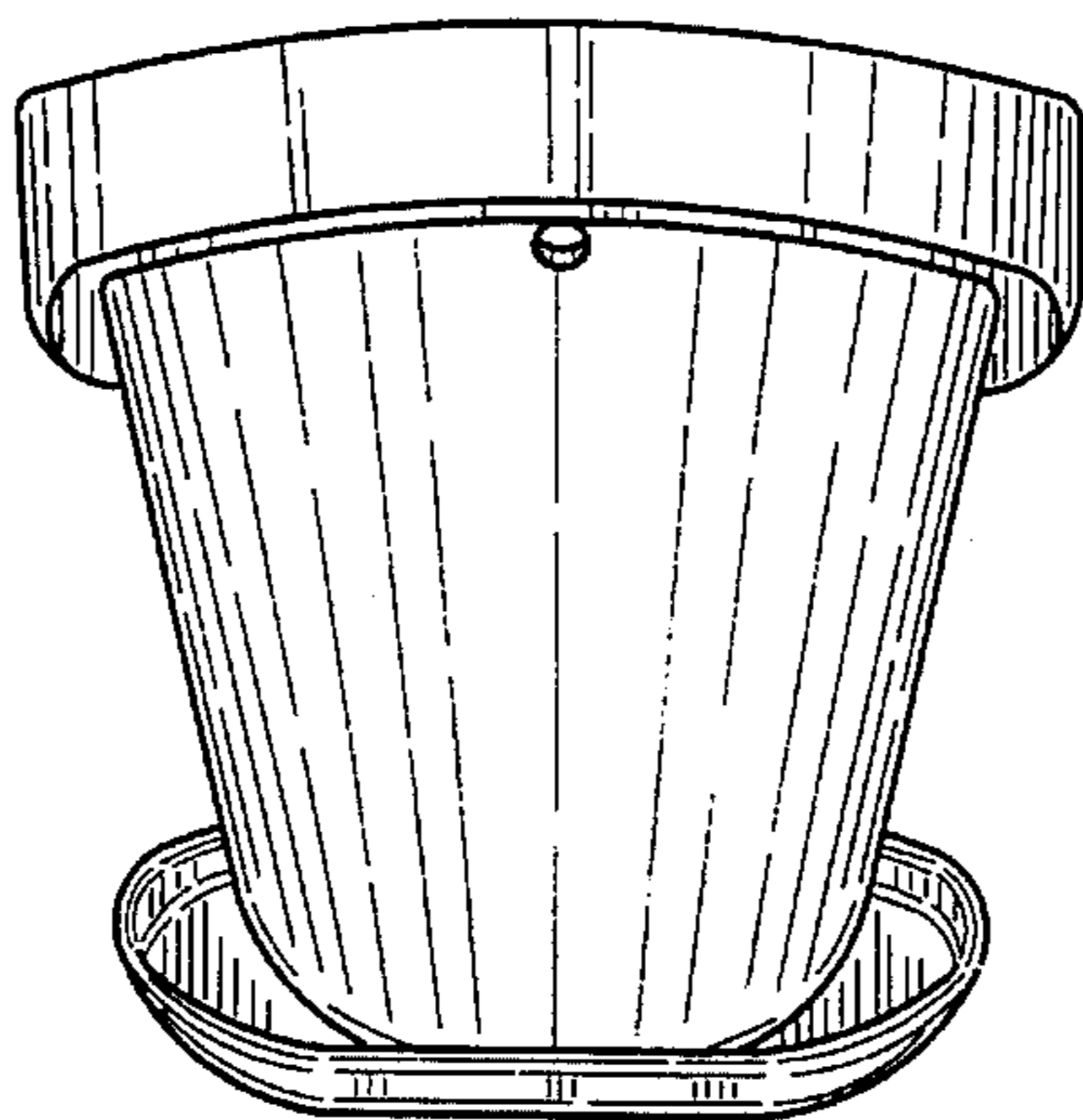


FIG. 6

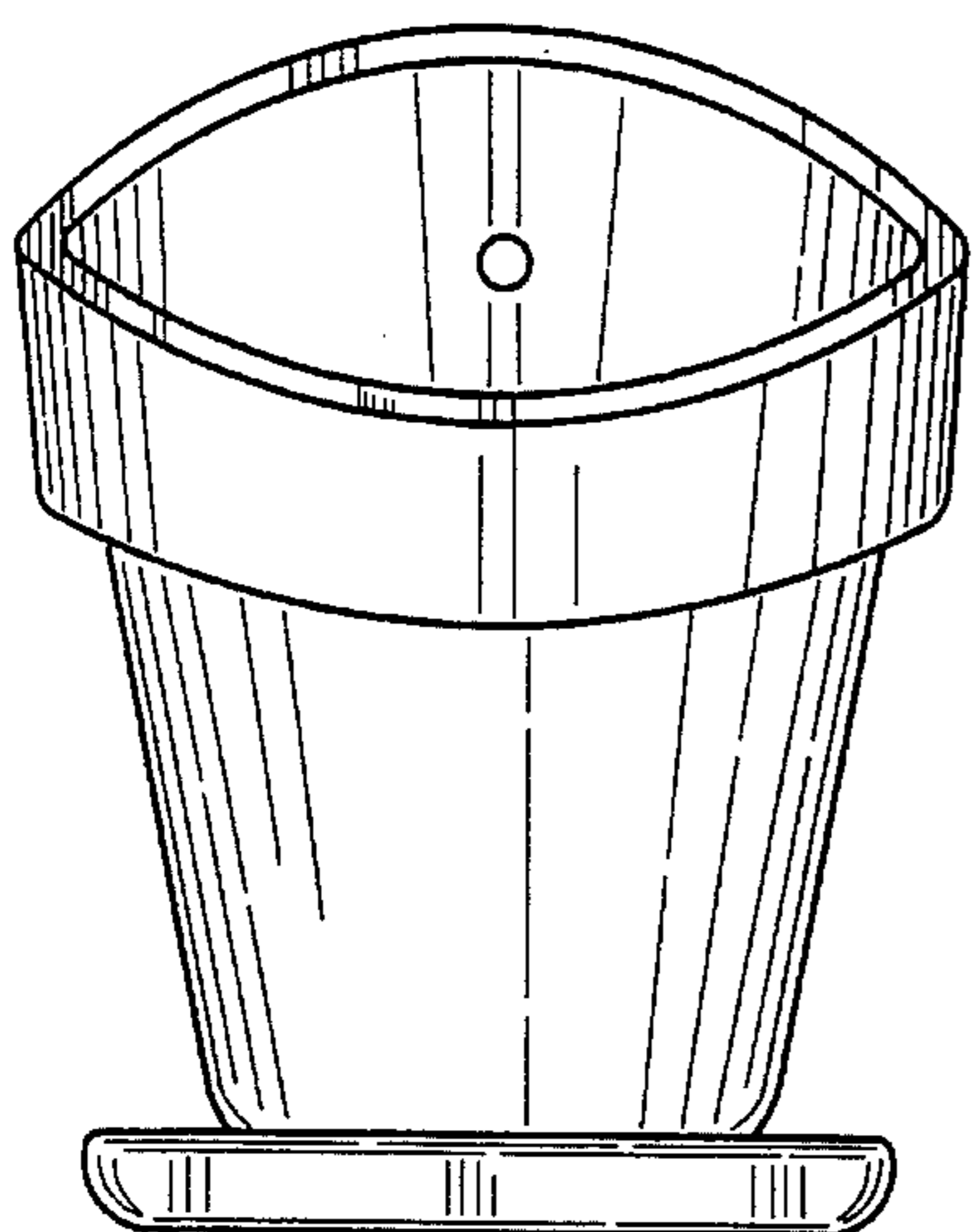


FIG. 7

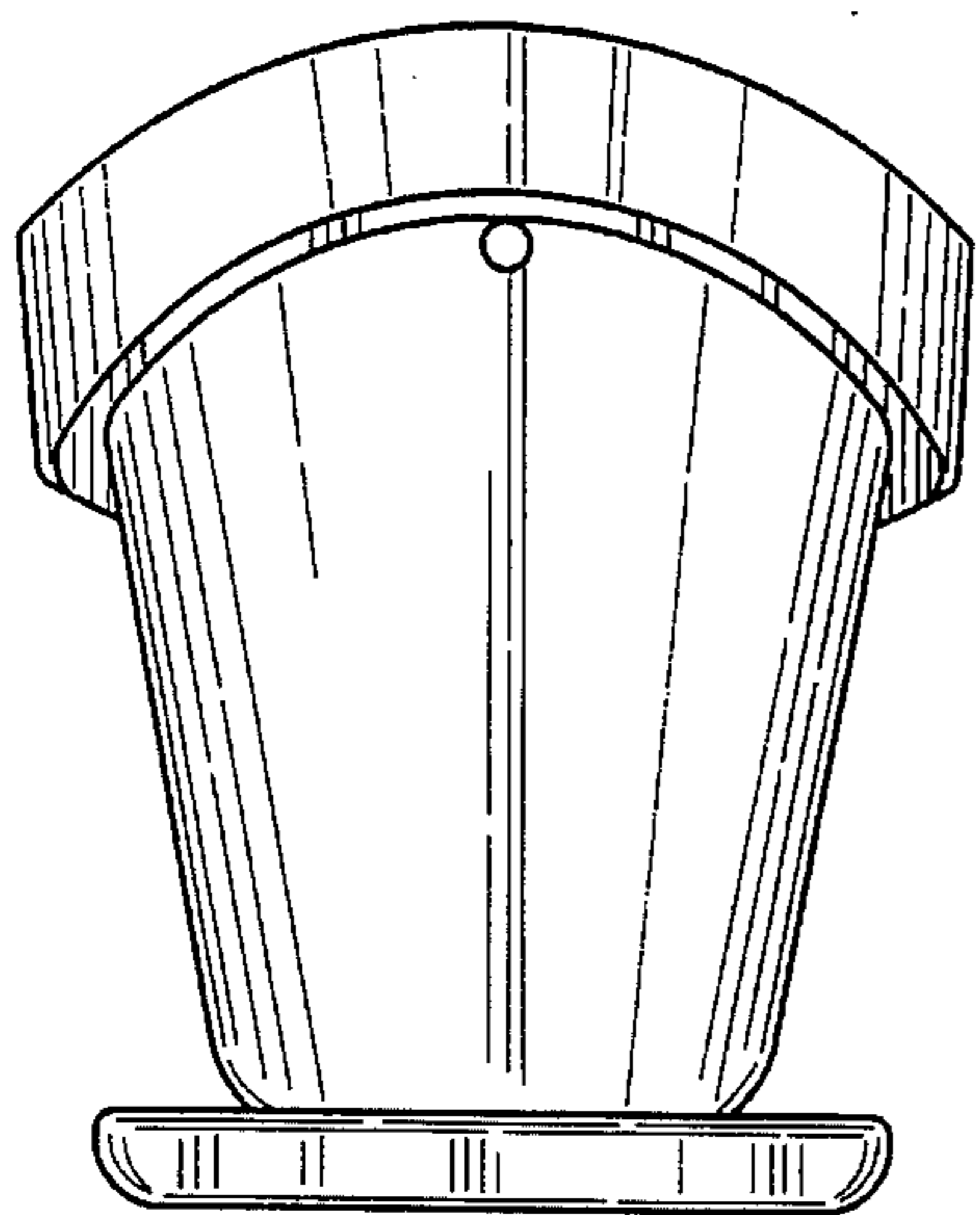


FIG. 8

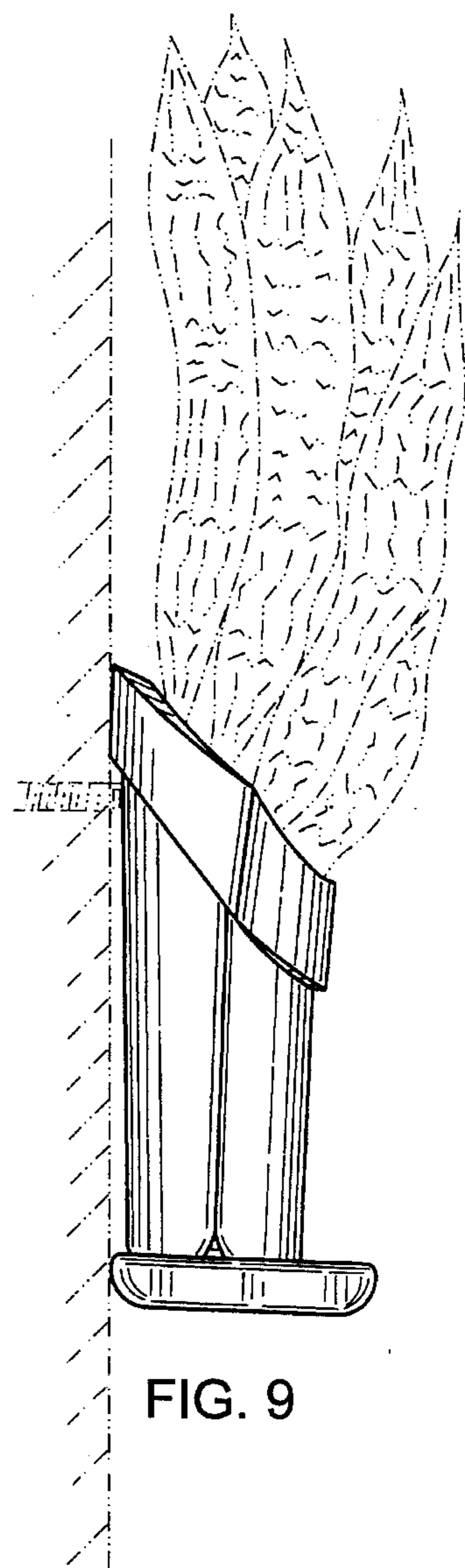


FIG. 9