



US00D371921S

United States Patent [19]

Anzalone et al.

[11] Patent Number: **Des. 371,921**

[45] Date of Patent: ****Jul. 23, 1996**

[54] **COMPUTER DESK**

[75] Inventors: **Christopher Anzalone**, Laguna Beach;
Doug Patton, Irvine, both of Calif.

[73] Assignee: **Rubbermaid Office Products Inc.**,
Maryville, Tenn.

[**] Term: **14 Years**

[21] Appl. No.: **27,263**

[22] Filed: **Aug. 17, 1994**

[52] U.S. Cl. **D6/484**

[58] Field of Search D6/422-428, 419,
D6/420, 421, 480, 484; 312/194-196

[56] **References Cited**

U.S. PATENT DOCUMENTS

D. 196,733	10/1963	Huller et al.	D6/422
D. 203,195	12/1965	Hughes, Jr.	D6/428
D. 239,488	4/1976	Sandefur	D6/159
D. 250,380	11/1978	Verdesca et al.	D6/177
D. 260,833	9/1981	de Polo et al.	D6/428
D. 281,297	11/1985	Esslinger	D6/484
D. 303,188	9/1989	Risom	D6/426
D. 318,768	8/1991	Westland et al.	D6/422
D. 339,481	9/1993	Stephens	D6/428
2,219,762	10/1940	Burdick et al.	312/39
2,675,288	4/1954	Usher	312/194
3,882,795	5/1975	Korell	108/1
4,458,961	7/1984	Browning	312/196
4,515,086	5/1985	Kwiecevski et al.	108/96

OTHER PUBLICATIONS

Pp. 68 and 70, Workstations; Global Computer Supplies, A Division of Global Equipment Company, 9139 Hemlock Drive, Hempstead, New York 11550. Publication date Jul., 1984.

Pp. 160 and 168, Workstations; Global Computer Supplies, 2318 East Del Amo Blvd., Dept. 31, Compton, California 90220. Publication date Jan., 1992.

P. 122, Workstation; Visible, A Subsidiary of Wallace Computer Services, Inc., 1750 Wallace Avenue, St. Charles, Illinois 60174. Publication date Fall/Winter 1992.

Pp. 6 and 7, Computer tables; Steelecase, P. O. Box 1967, Grand Rapids, Michigan 49501. Published at least as early as Sep., 1988.

P. 85, Workstation; Misco, One MISCO Plaza, Holmdel, New Jersey, 07733. Publication date Apr. 1992.

Pp. 78 and 83, Workstations; United Stationers Supply Company, 2200 East Golf Road, Des Plaines, Illinois 60016. Publication date 1988.

Catalog page, Computer desk; MicroComputer Accessories, Inc., 9920 LaCienega Boulevard, P.O. Box 17032, Inglewood, California 90308. Publication date 1994.

Primary Examiner—Carmen H. Vales Lado

Attorney, Agent, or Firm—Richard B. O'Planick; Lisa B. Riedesel

[57] **CLAIM**

The ornamental design for a computer desk, as shown and described.

DESCRIPTION

FIG. 1 is a top, front perspective view of a computer desk showing our new design; the broken lines are for illustrative purposes only and form no part of the claimed design;

FIG. 2 is a front elevational view thereof;

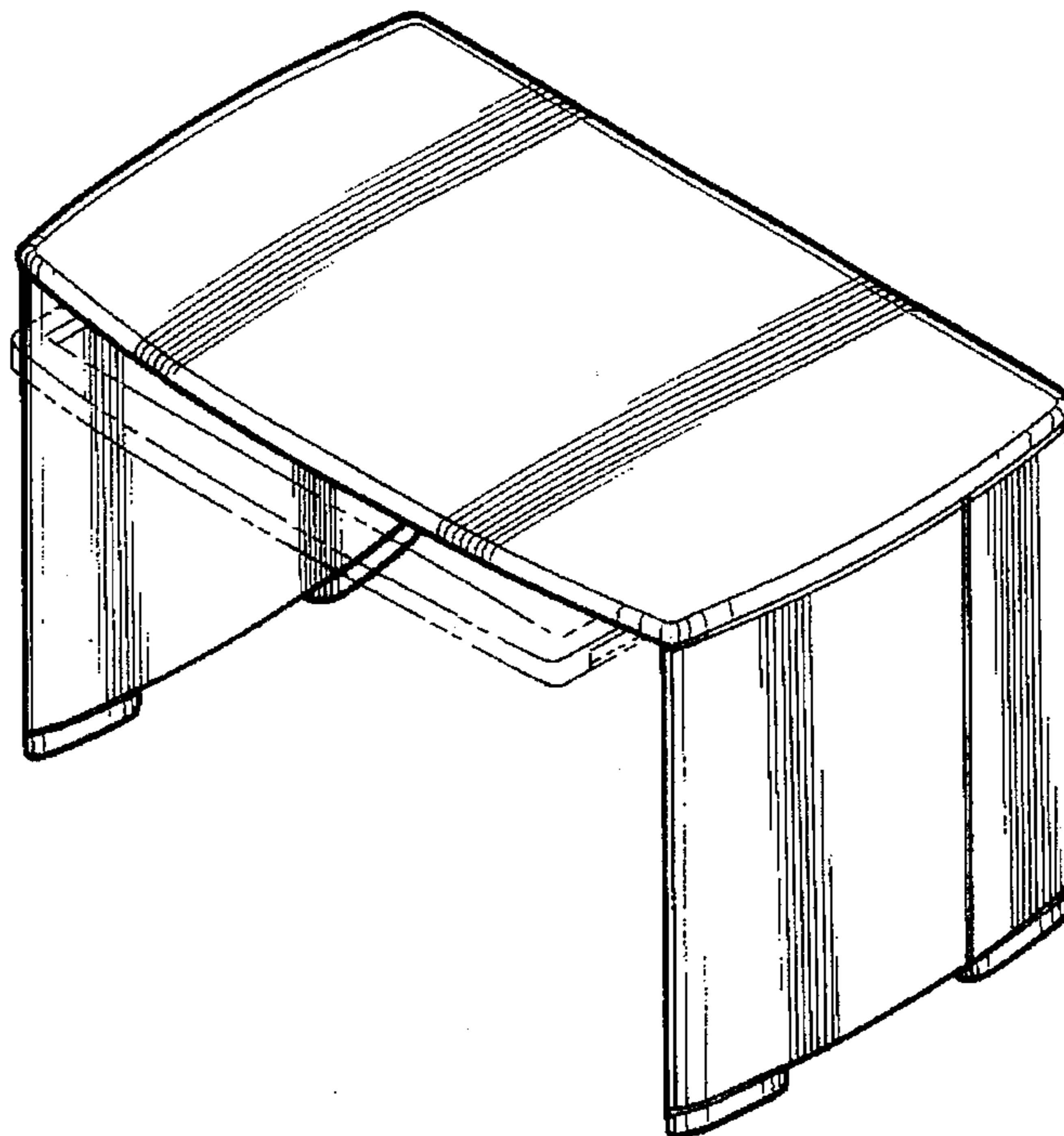
FIG. 3 is a top plan view thereof;

FIG. 4 is a left side elevational view as seen when in use, the right side being a mirror image thereof;

FIG. 5 is a rear elevational view thereof; and,

FIG. 6 is a bottom plan view thereof.

1 Claim, 3 Drawing Sheets



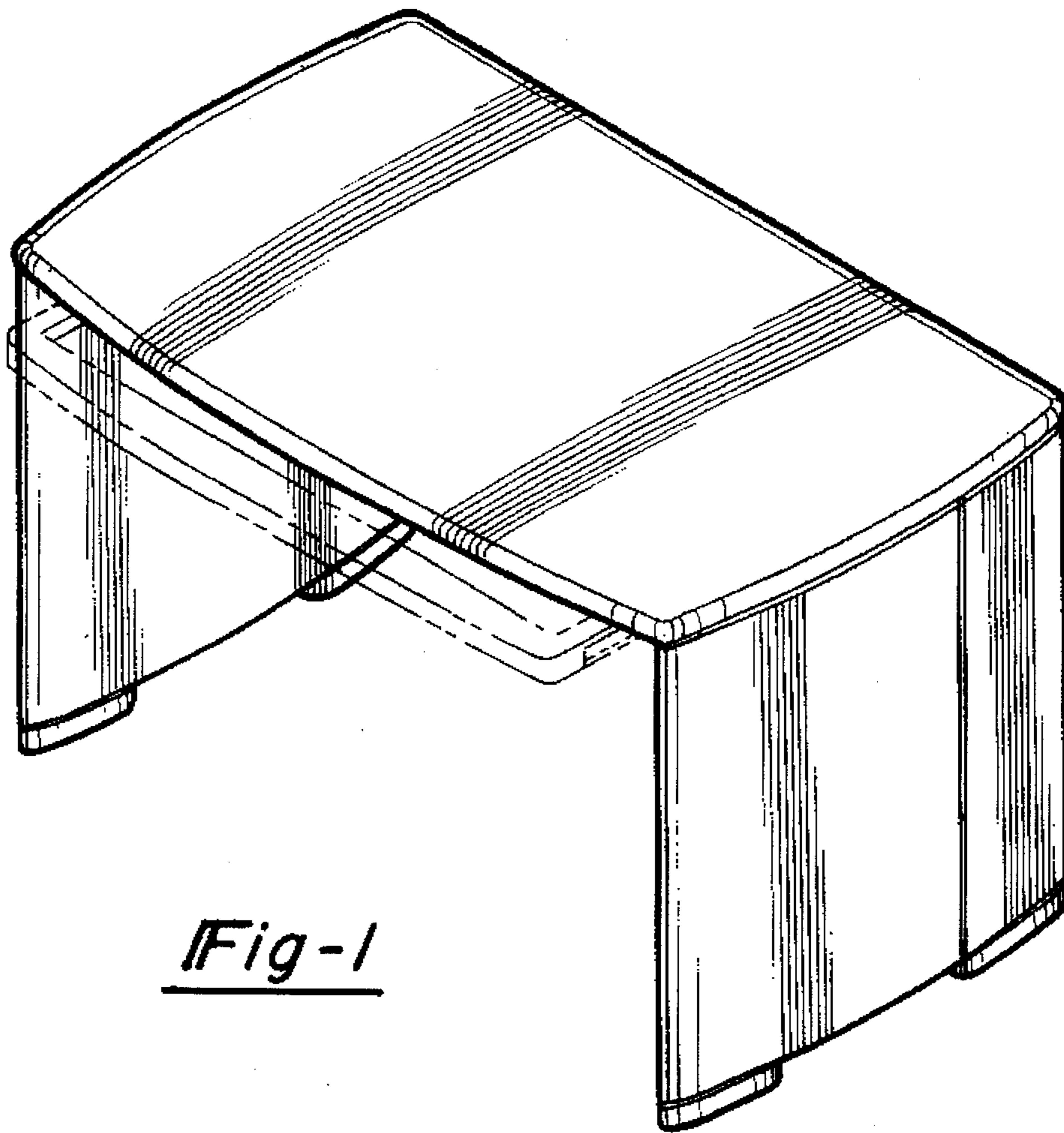


Fig-1

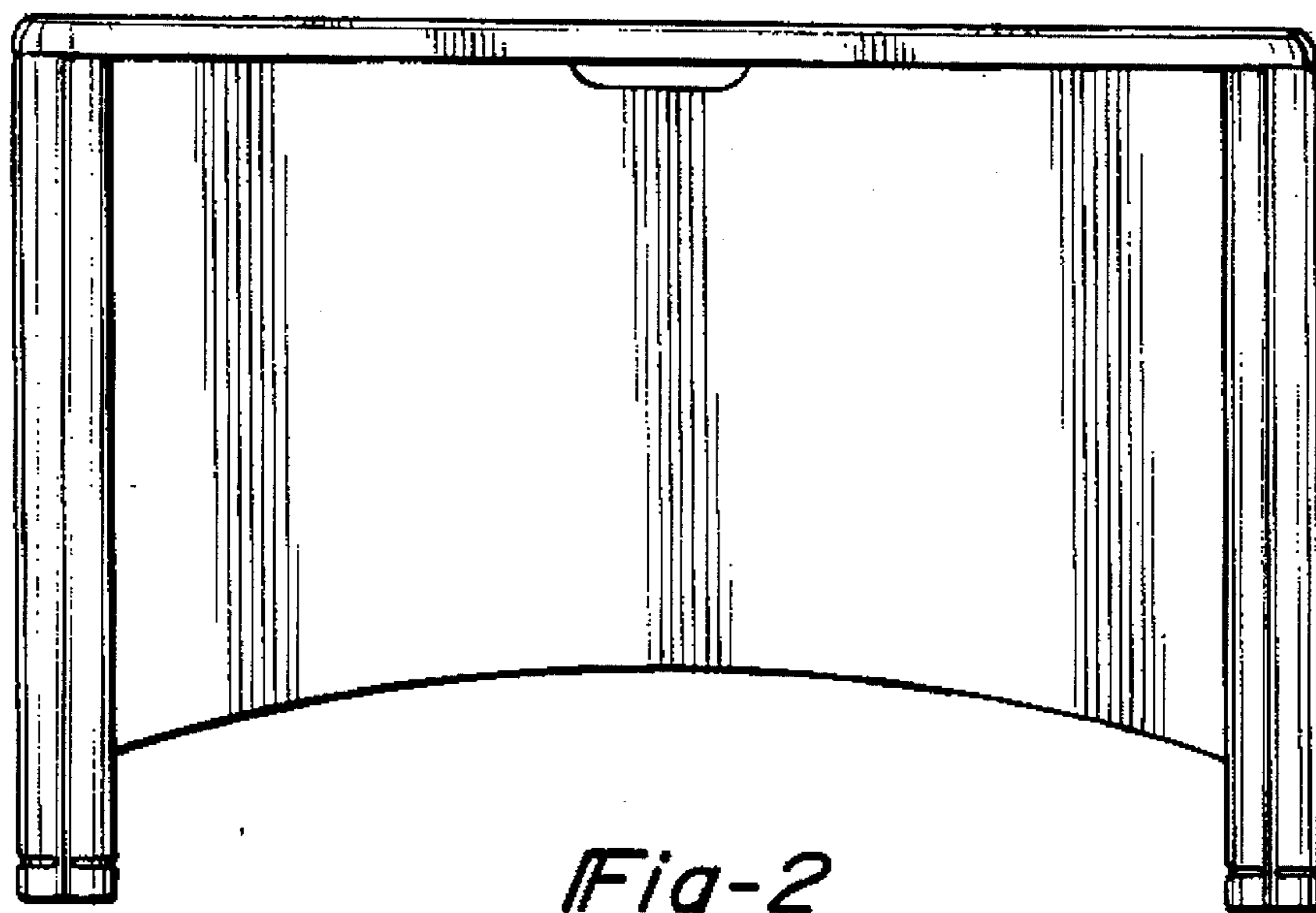


Fig-2

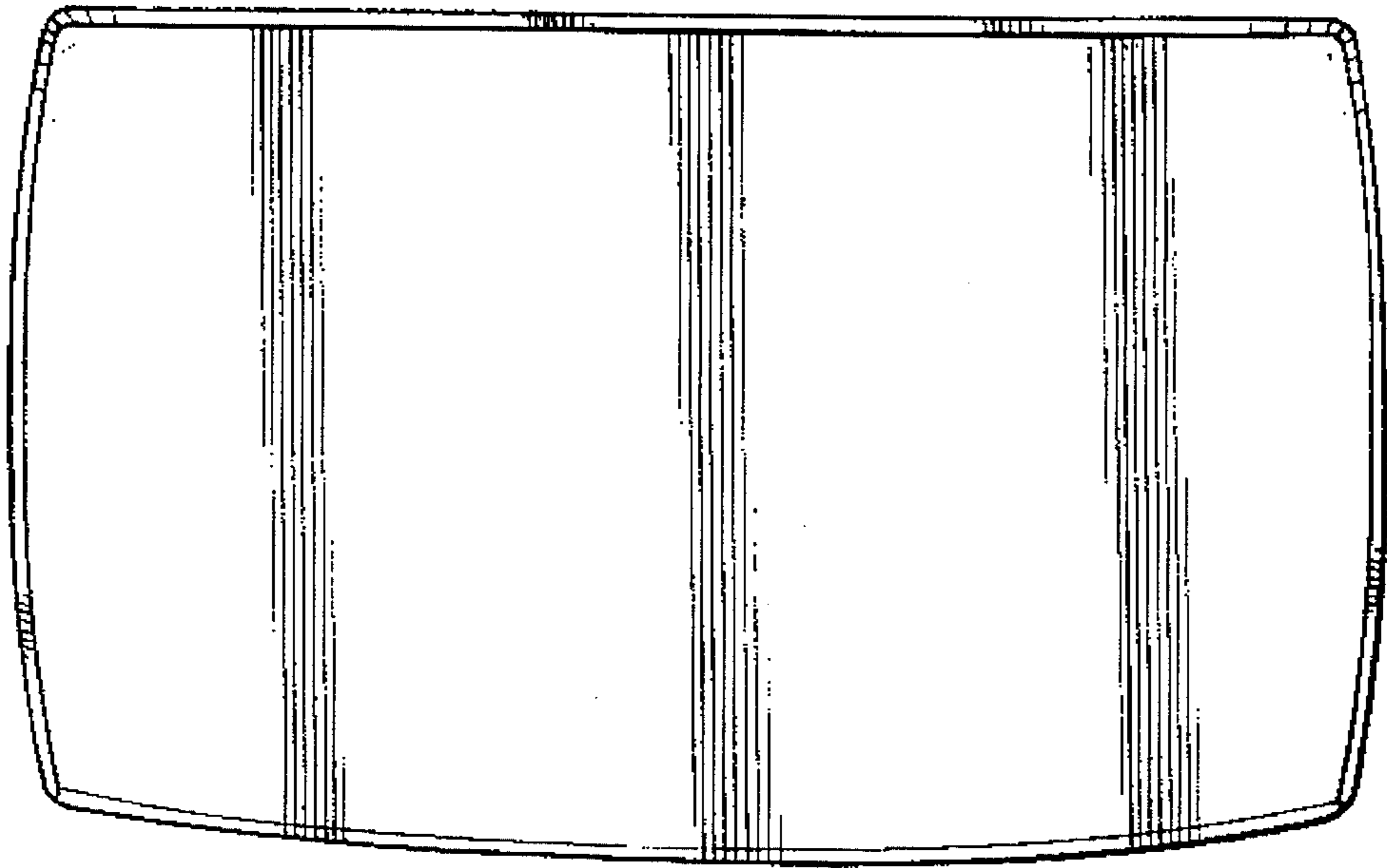


Fig-3

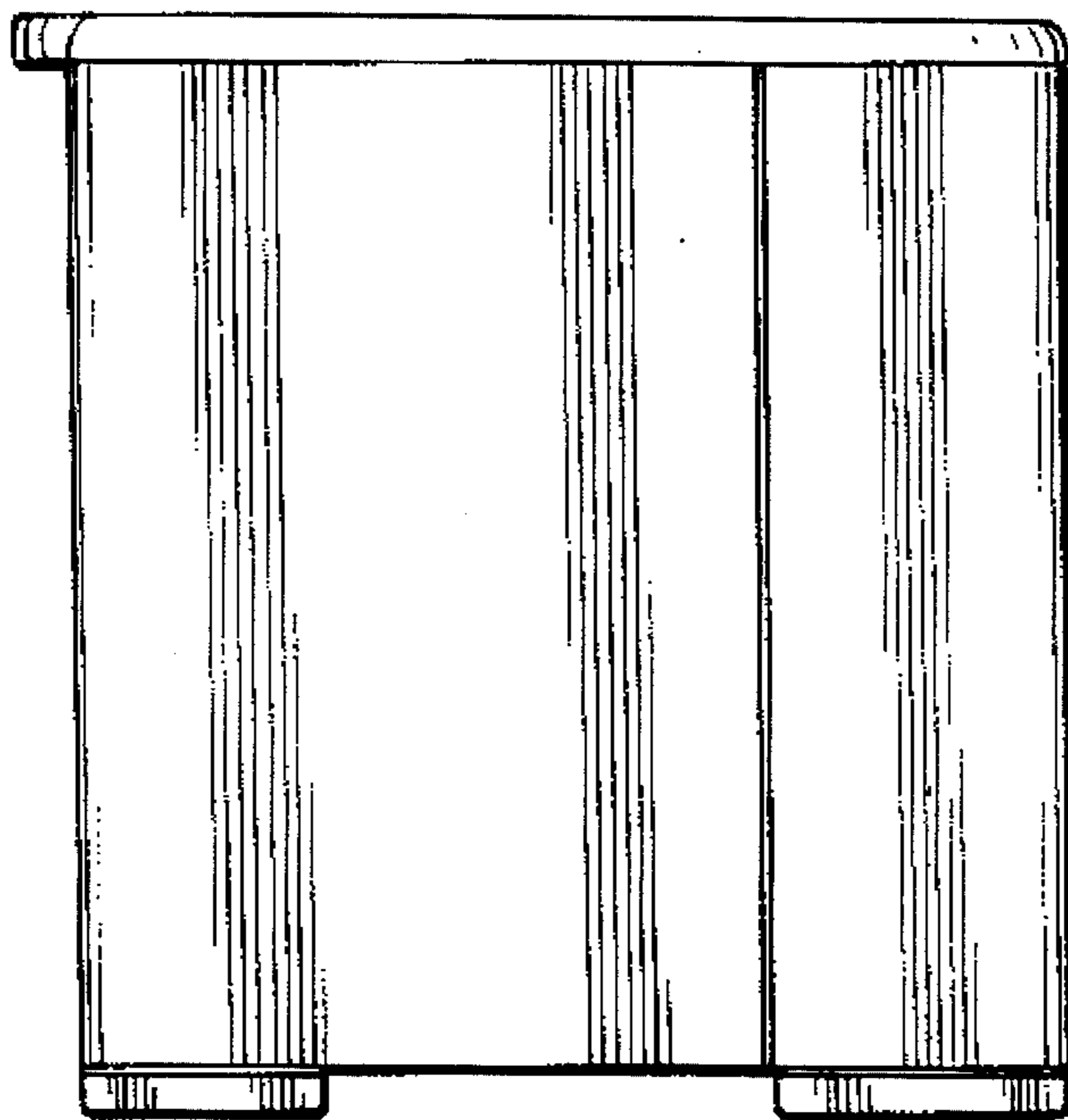


Fig-4

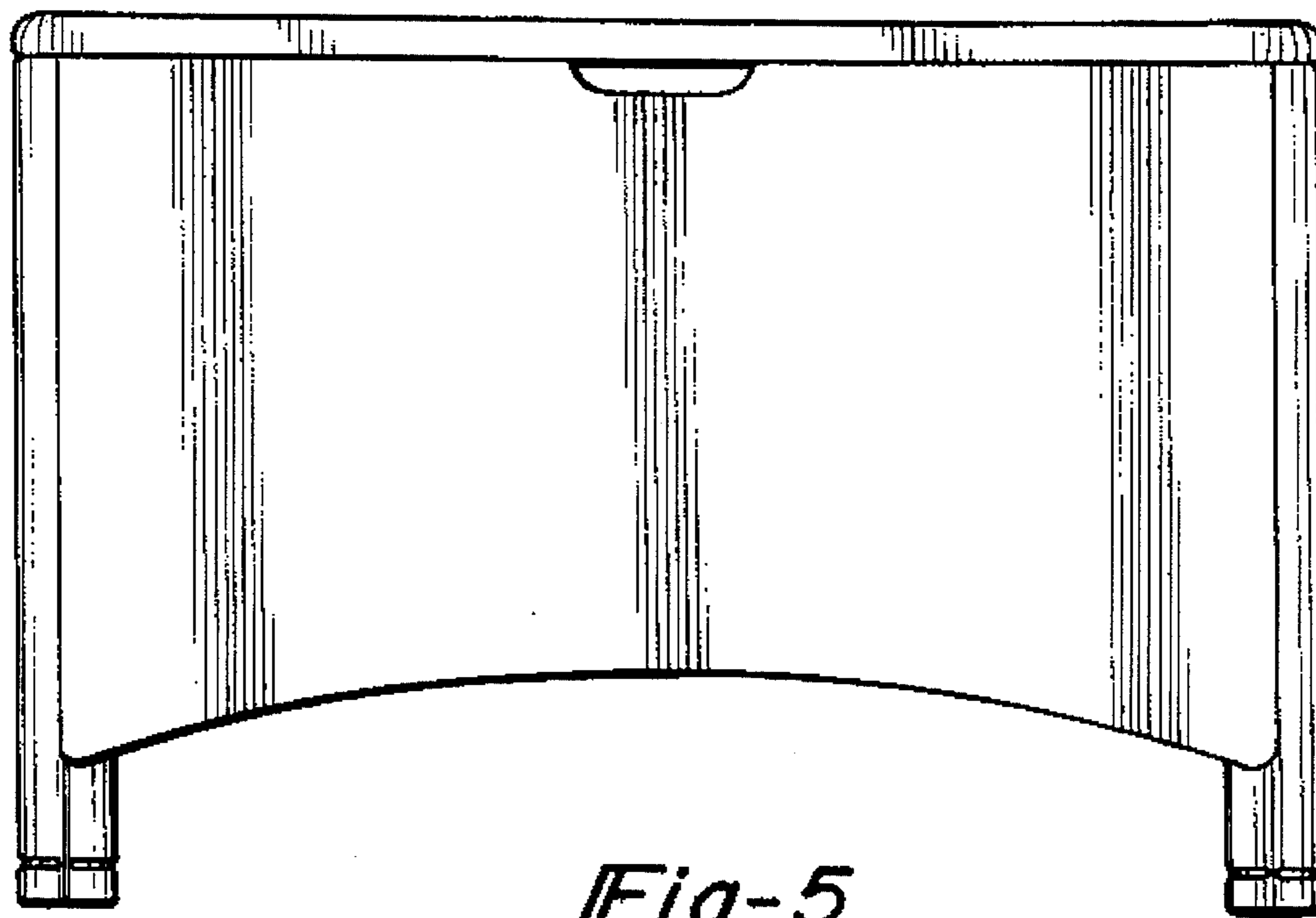


Fig-5

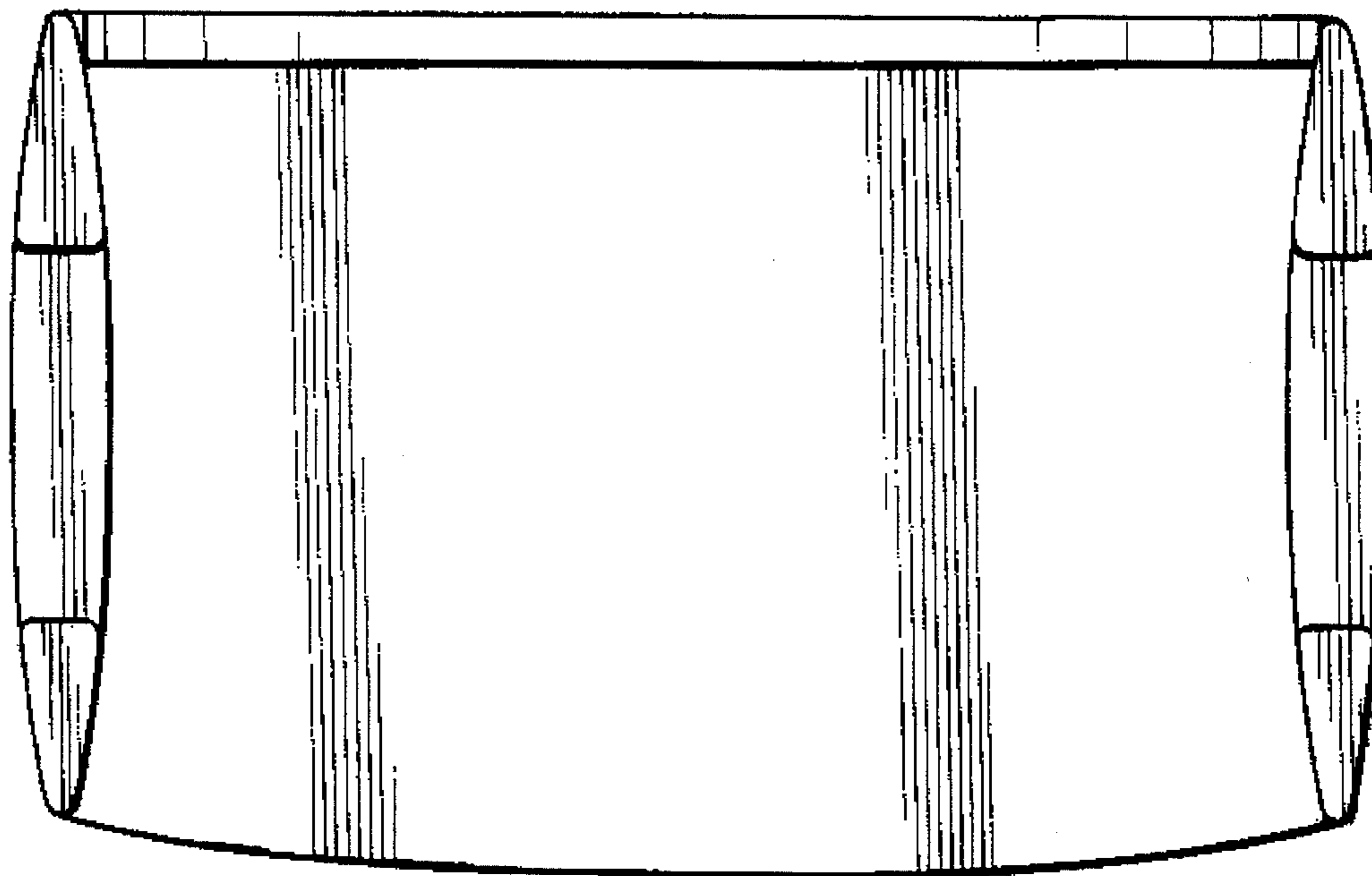


Fig-6