



US00D371919S

**United States Patent** [19]  
**Konecny**

[11] **Patent Number: Des. 371,919**

[45] **Date of Patent: \*\*\* Jul. 23, 1996**

[54] **DISPLAY DEVICE**

[76] Inventor: **Pamela Konecny**, 1418 Monroe St.,  
River Forest, Ill. 60305

[\*] Notice: The portion of the term of this patent  
subsequent to May 25, 2010, has been  
disclaimed.

[\*\*] Term: **14 Years**

[21] Appl. No.: **8,752**

[22] Filed: **May 25, 1993**

[52] U.S. Cl. .... **D6/479**

[58] Field of Search ..... D6/415, 455, 477,  
D6/479, 480, 482, 484, 487, 489; 108/153,  
161

[56] **References Cited**

**U.S. PATENT DOCUMENTS**

- D. 51,055 7/1917 Board ..... D6/461
- D. 152,330 1/1949 Dillon ..... 108/59 X
- D. 164,966 10/1951 Snyder ..... D6/479 X

**FOREIGN PATENT DOCUMENTS**

- 459999 10/1950 Italy ..... 108/91

**OTHER PUBLICATIONS**

- Sears Catalog, Fall Winter 1977, p. 1297, item 9.
- Mt. Airy Chair Co. Catalog, 1960, p. 19, "magazine table".
- Drexel Furniture Catalog, 1979, p. 31, upper left table.
- Martinsville Furniture Catalog, 1964, No. 320-11.

*Primary Examiner*—Alan P. Douglas  
*Assistant Examiner*—S. Snapp  
*Attorney, Agent, or Firm*—Michael, Best & Friedrich

[57] **CLAIM**

The ornamental design for a display device, as shown.

**DESCRIPTION**

- FIG. 1 is a front perspective view of the display device of the present invention;
- FIG. 2 is a top plan view;
- FIG. 3 is a side elevational view;
- FIG. 4 is the opposite side elevational view; bottom plan view; and,
- FIG. 5 is a bottom plan view.

·1 Claim, 1 Drawing Sheet

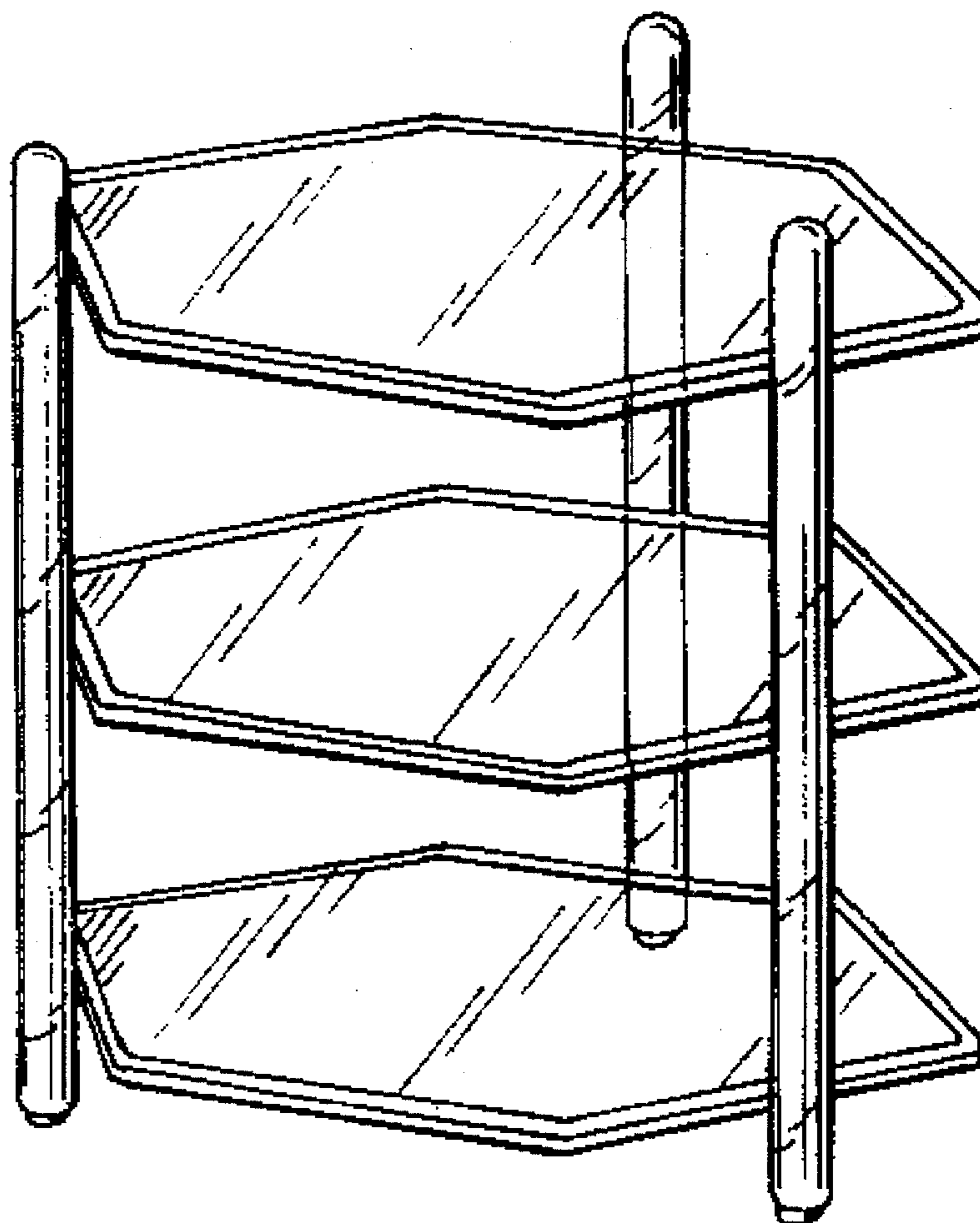


Fig. 1

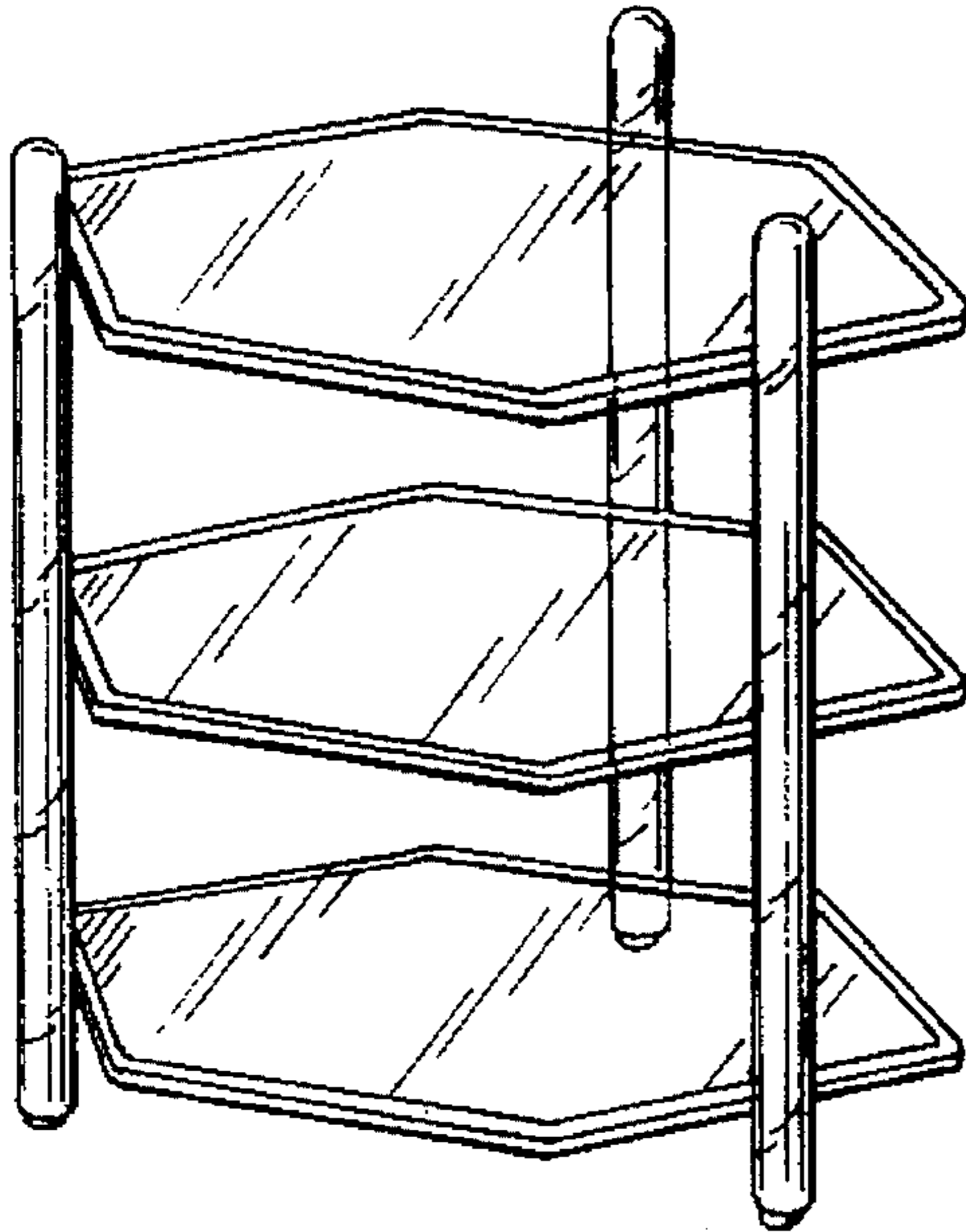


Fig. 2

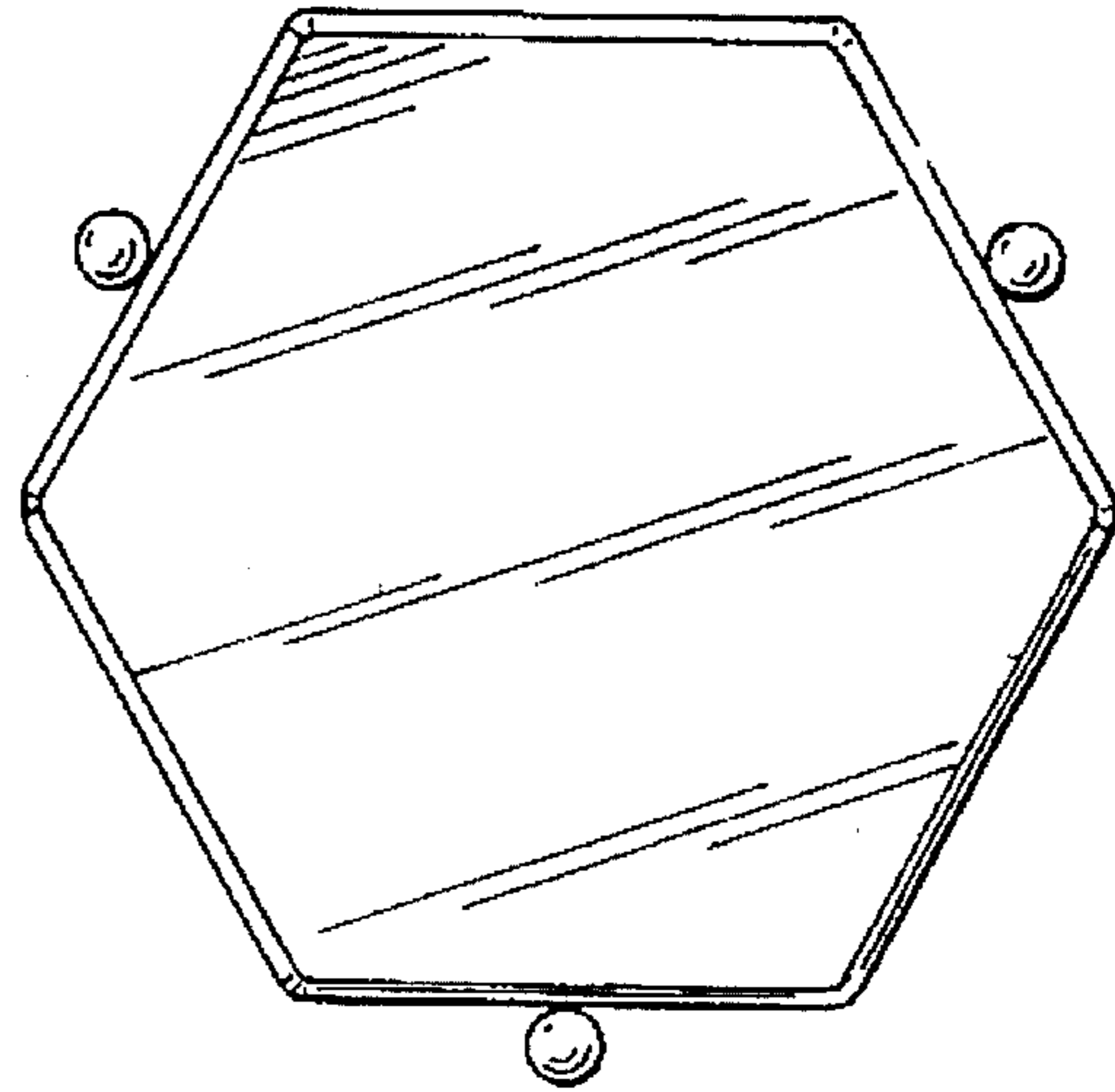


Fig. 3

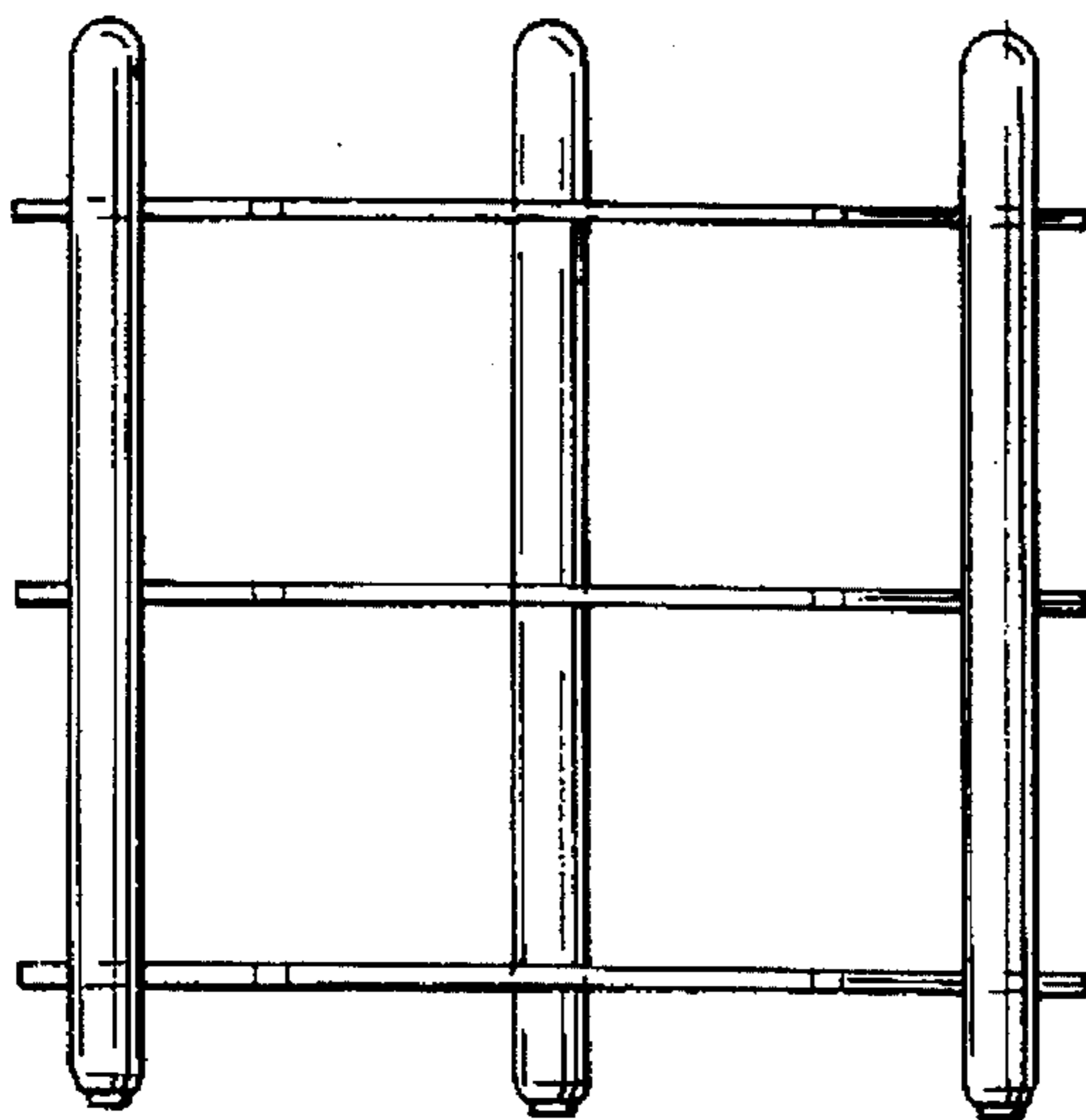
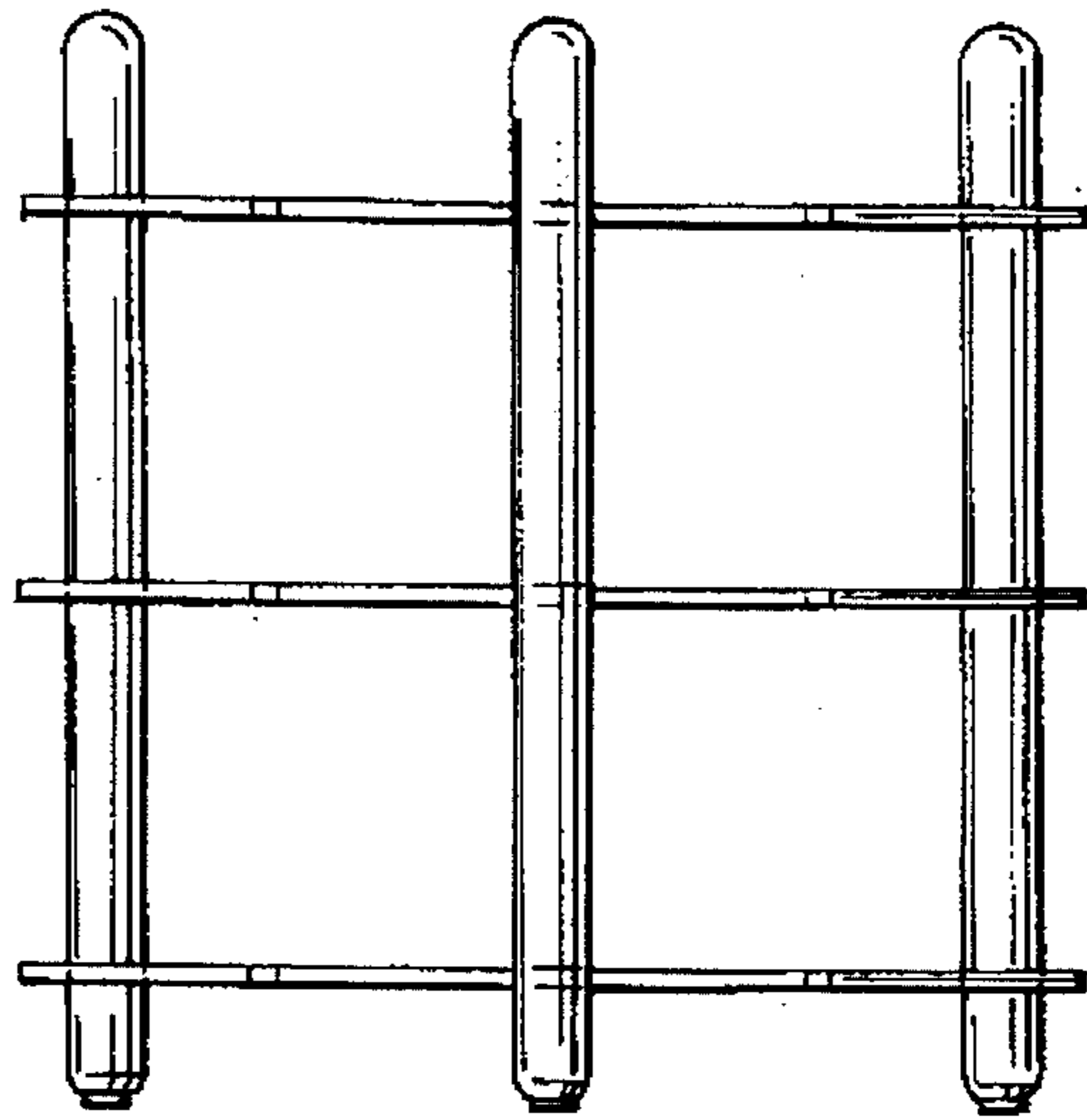


Fig. 4

Fig. 5

