



US00D371918S

United States Patent [19]

[11] Patent Number: **Des. 371,918**

Brunner et al.

[45] Date of Patent: ****Jul. 23, 1996**

[54] **DRESSER DESK**

Primary Examiner—Carmen H. Vales-Lado
Attorney, Agent, or Firm—Hoffmann & Baron

[75] Inventors: **Merlin A. Brunner**, Appleton; **Harvey J. Draheim**, Weyauwega, both of Wis.

[57] **CLAIM**

[73] Assignee: **Simmons Juvenile Products Company, Inc.**, New London, Wis.

The ornamental design for a dresser desk, as shown and described.

[**] Term: **14 Years**

DESCRIPTION

[21] Appl. No.: **35,636**

FIG. 1 is a top perspective view of a dresser desk showing our new design;

[22] Filed: **Mar. 3, 1995**

FIG. 2 is a top plan view thereof;

[52] U.S. Cl. **D6/443**

FIG. 3 is a front elevational view thereof;

[58] Field of Search D6/422-428, 432,
D6/433; 312/194-196

FIG. 4 is a right side elevation view thereof;

FIG. 5 is a left side elevation view thereof;

FIG. 6 is a rear elevation view thereof;

FIG. 7 is a bottom plan view thereof;

[56] References Cited

U.S. PATENT DOCUMENTS

D. 5,271	9/1871	Wiley	D6/443
D. 28,243	2/1898	Holley	D6/443
D. 46,792	12/1914	Purcell	D6/443 X
D. 252,243	7/1979	Reitman	D6/437
D. 261,475	10/1981	Wolfe	D6/443 X

FIG. 8 is an enlarged sectional view taken along line 8—8 of FIG. 3;

FIG. 9 is an enlarged sectional view taken along line 9—9 of FIG. 3; and,

FIG. 10 is an enlarged sectional view taken along line 10—10 of FIG. 3.

1 Claim, 6 Drawing Sheets

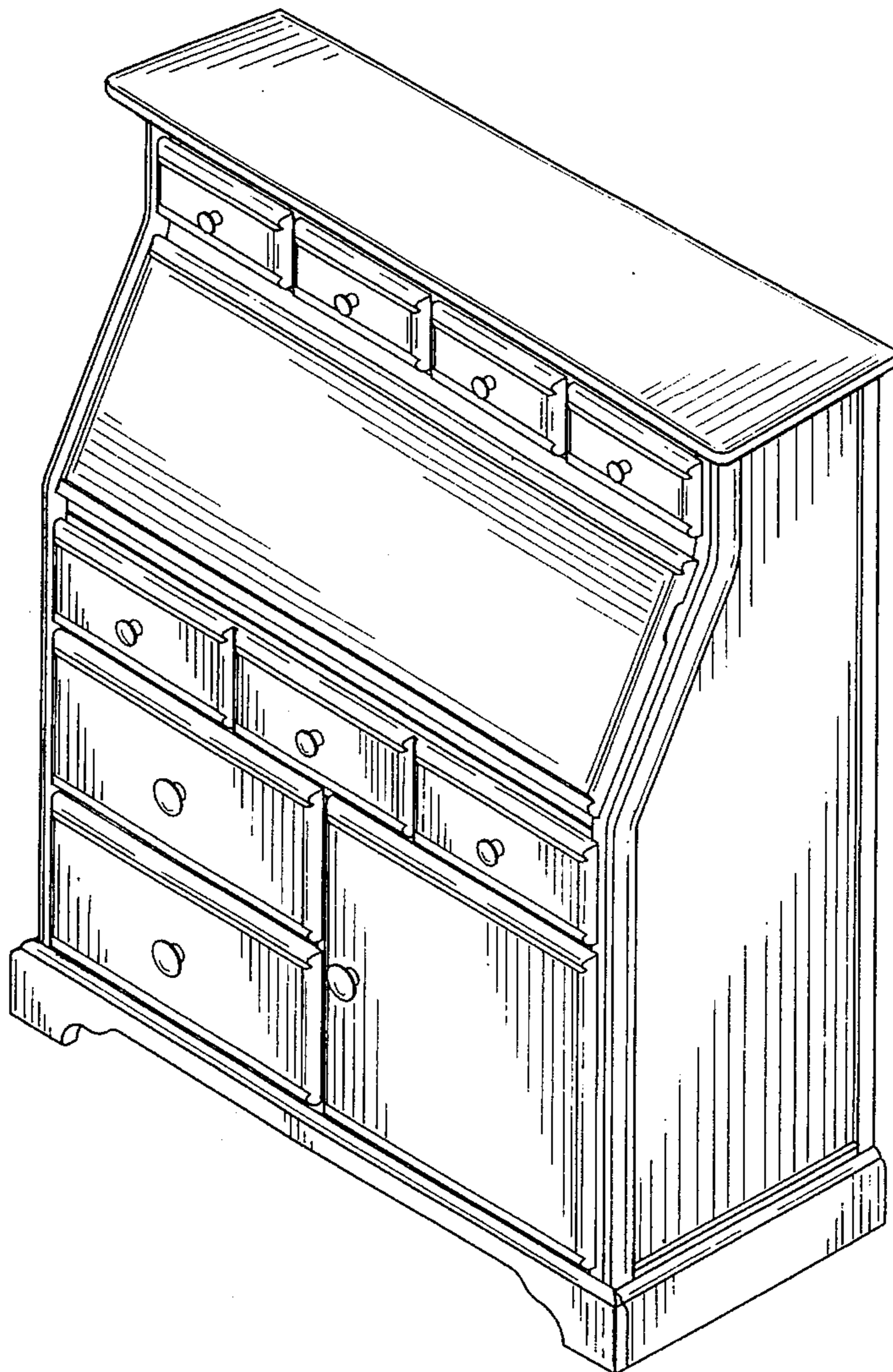


FIG-1

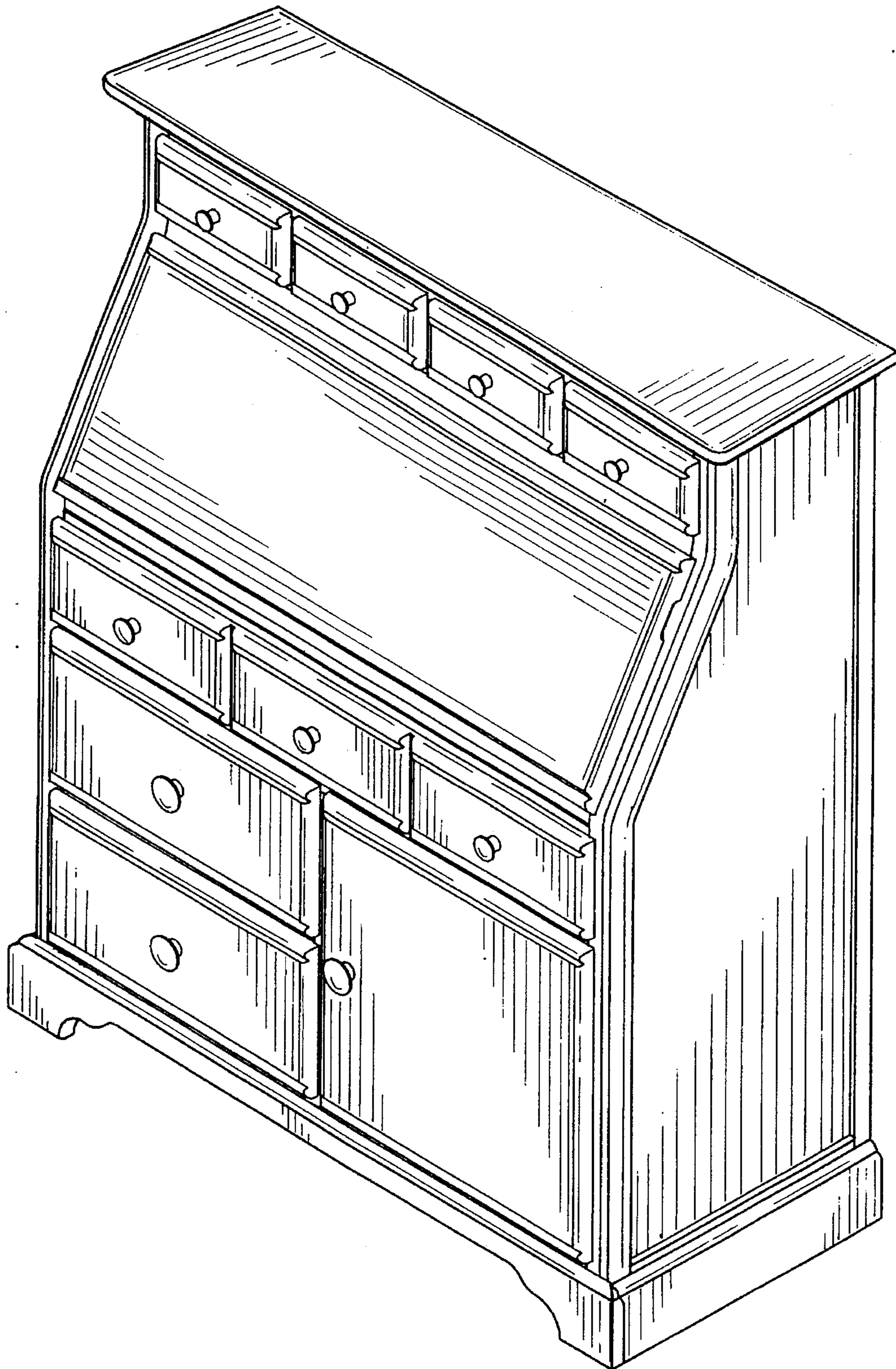


FIG-2

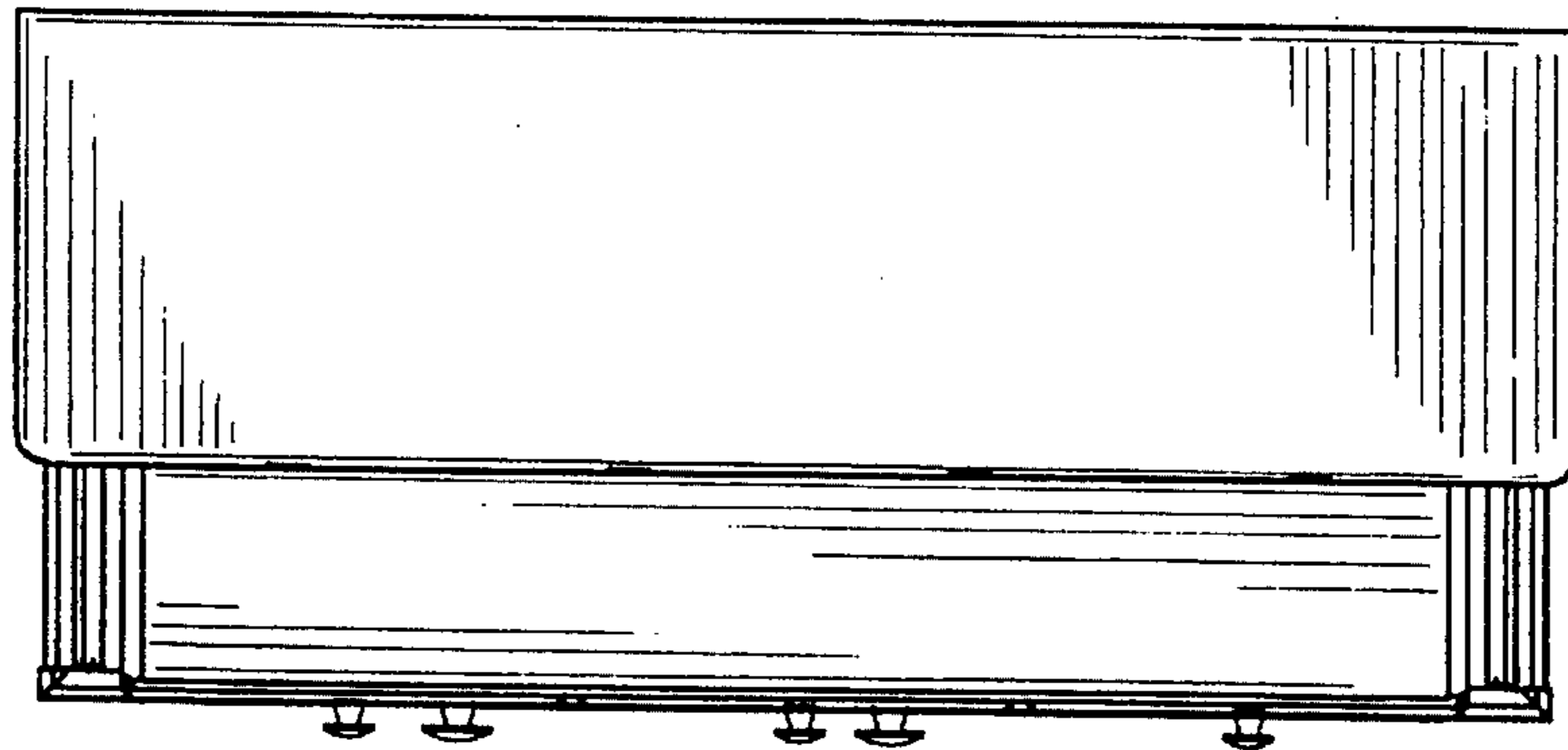


FIG-3

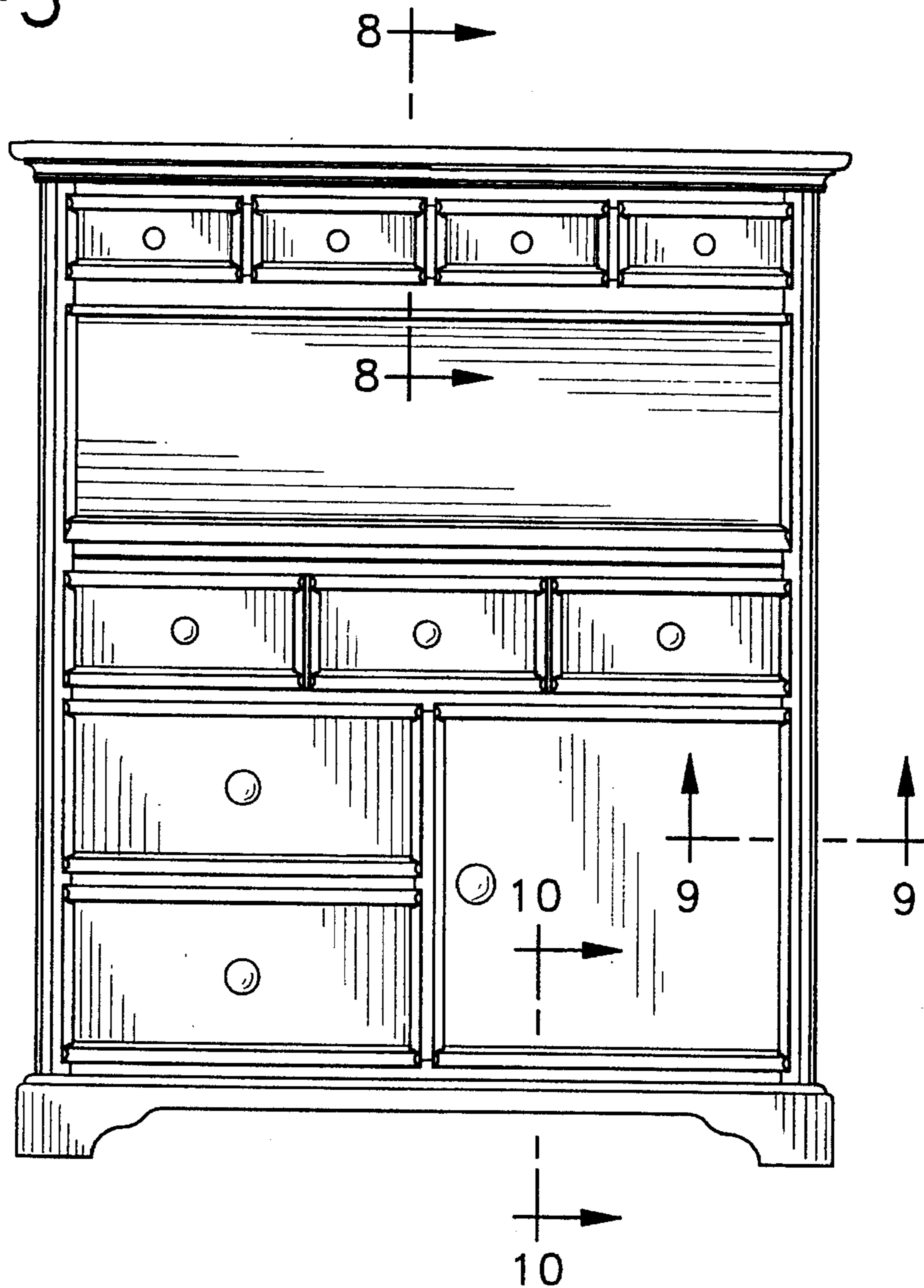


FIG-4

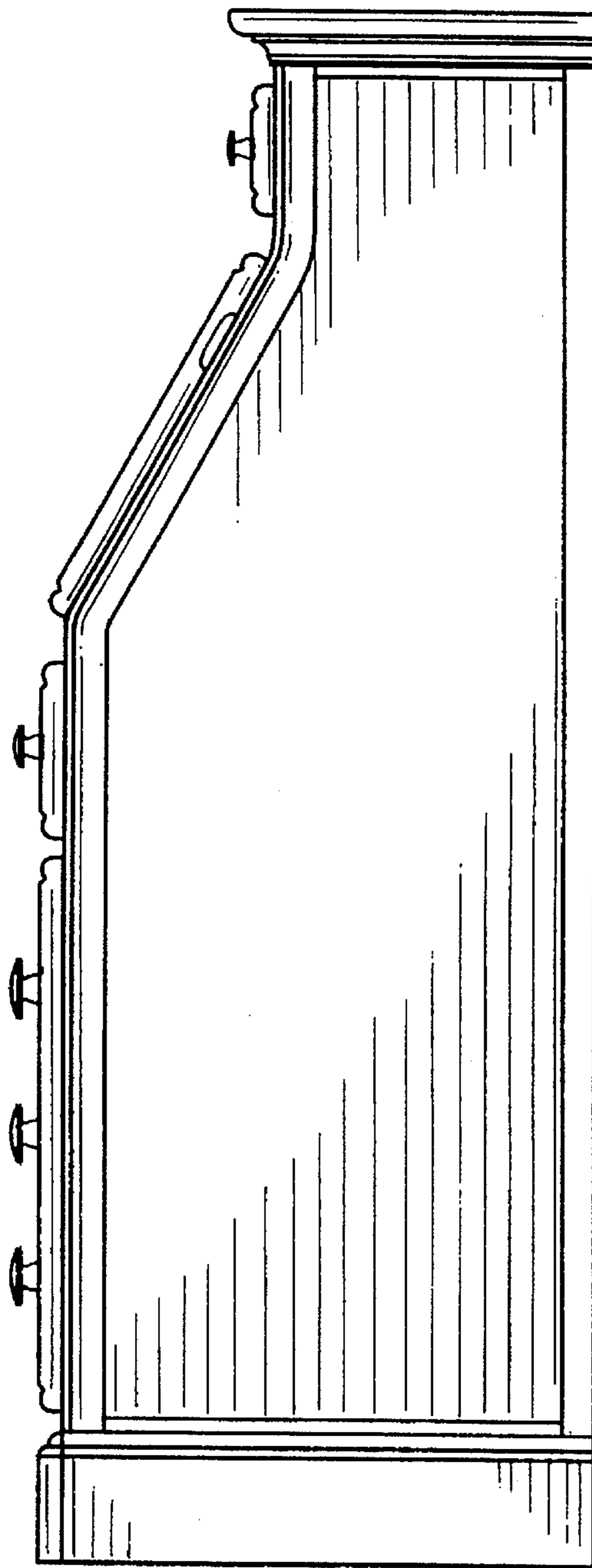


FIG-5

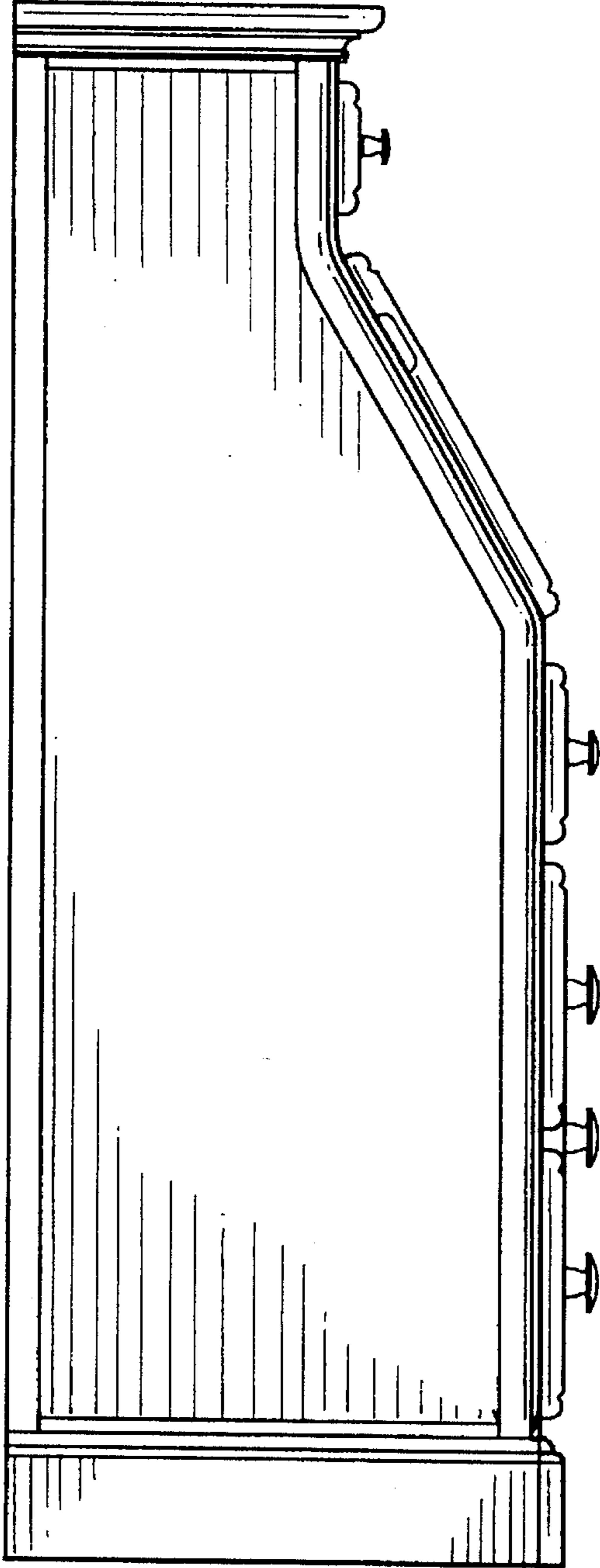


FIG-6

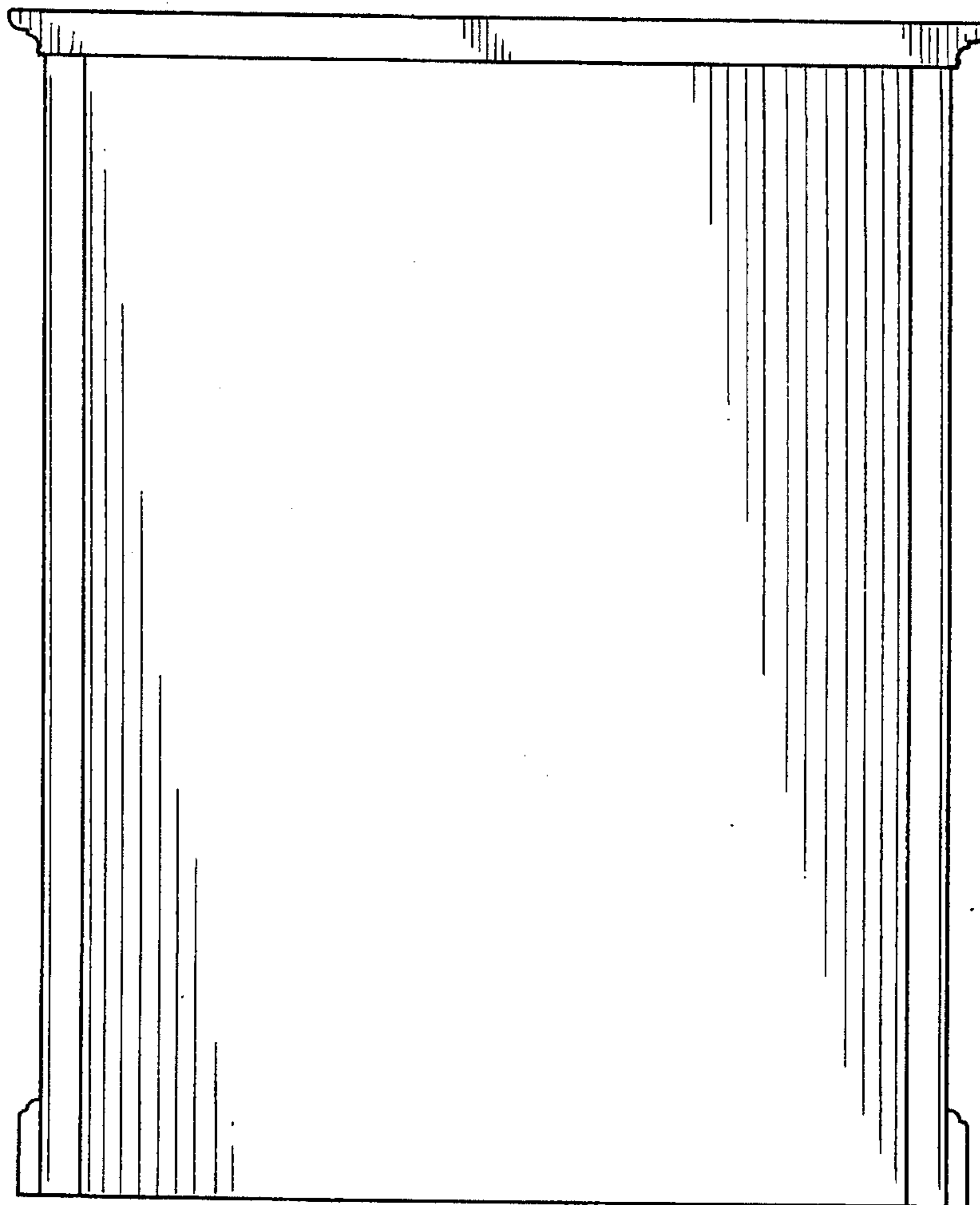


FIG-7

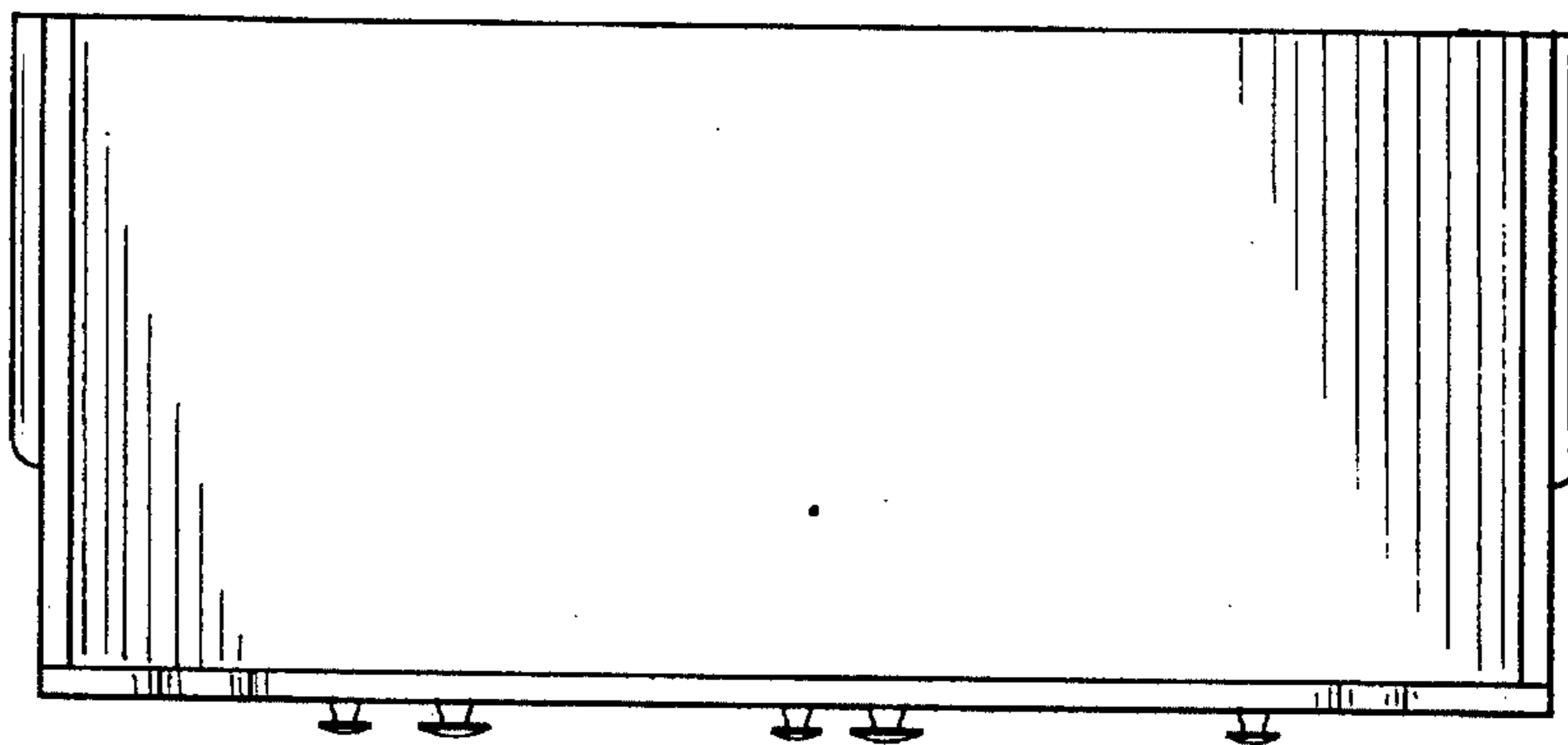


FIG-8

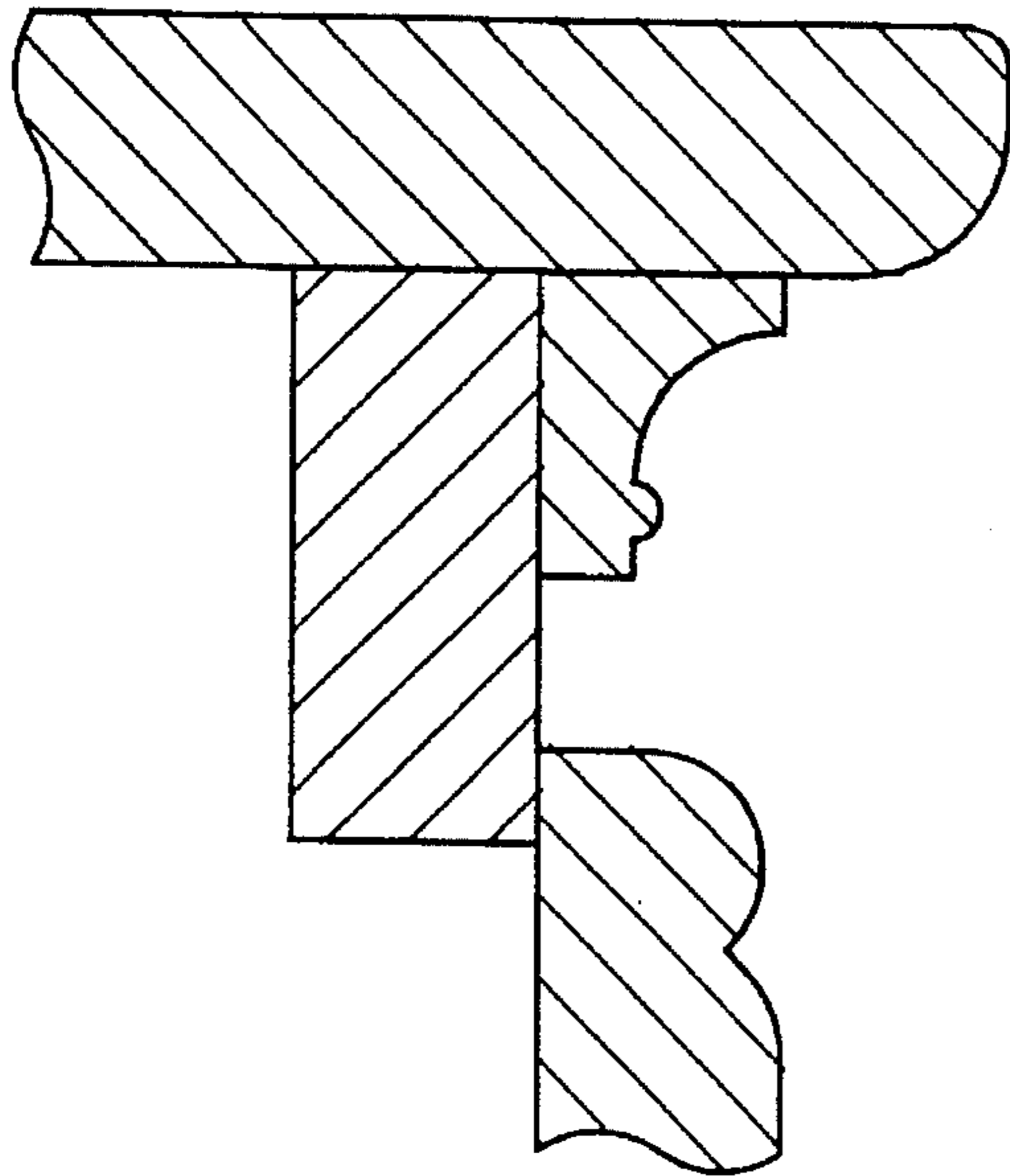


FIG-10

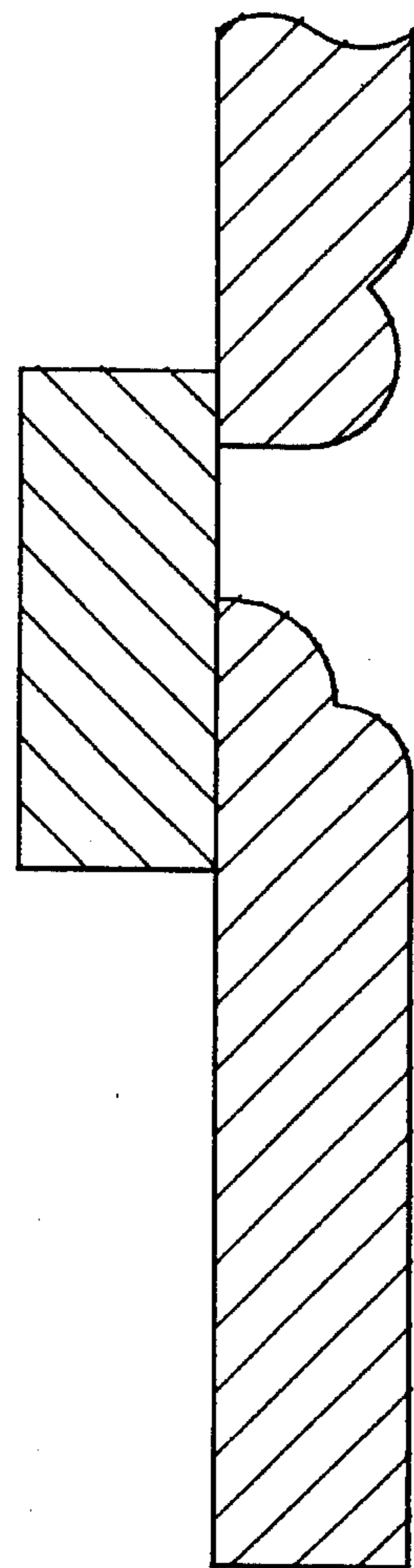


FIG-9

