



US00D371912S

# United States Patent [19] Peltz

[11] Patent Number: **Des. 371,912**  
[45] Date of Patent: **\*\*Jul. 23, 1996**

## [54] CHAIR/DESK RELAXATION OFFICE SET

[75] Inventor: **Arvin Peltz**, Denver, Colo.  
[73] Assignee: **Today Corp.**, Englewood, Colo.  
[\*\*] Term: **14 Years**

[21] Appl. No.: **16,277**  
[22] Filed: **Dec. 13, 1993**  
[52] U.S. Cl. .... **D6/336; D6/335**  
[58] Field of Search ..... **D6/334, 335, 336,  
D6/341, 360, 361, 370, 379, 500, 501,  
502; 297/160, 192**

## [56] References Cited

### U.S. PATENT DOCUMENTS

D. 73,039	7/1927	Klemm .....	D6/341
D. 80,055	12/1929	Scott .....	D6/361
D. 84,152	5/1931	Klemm et al. ....	D6/341
D. 160,368	10/1950	Centerbar .....	D6/341
3,737,926	6/1973	Hermanson .....	D6/361 X

## OTHER PUBLICATIONS

Interiors, Sep. 1985, p. 94, Sunar Hauserman's Jefferson Chair, left side, mid page.

*Primary Examiner*—Alan P. Douglas  
*Assistant Examiner*—Gary D. Watson

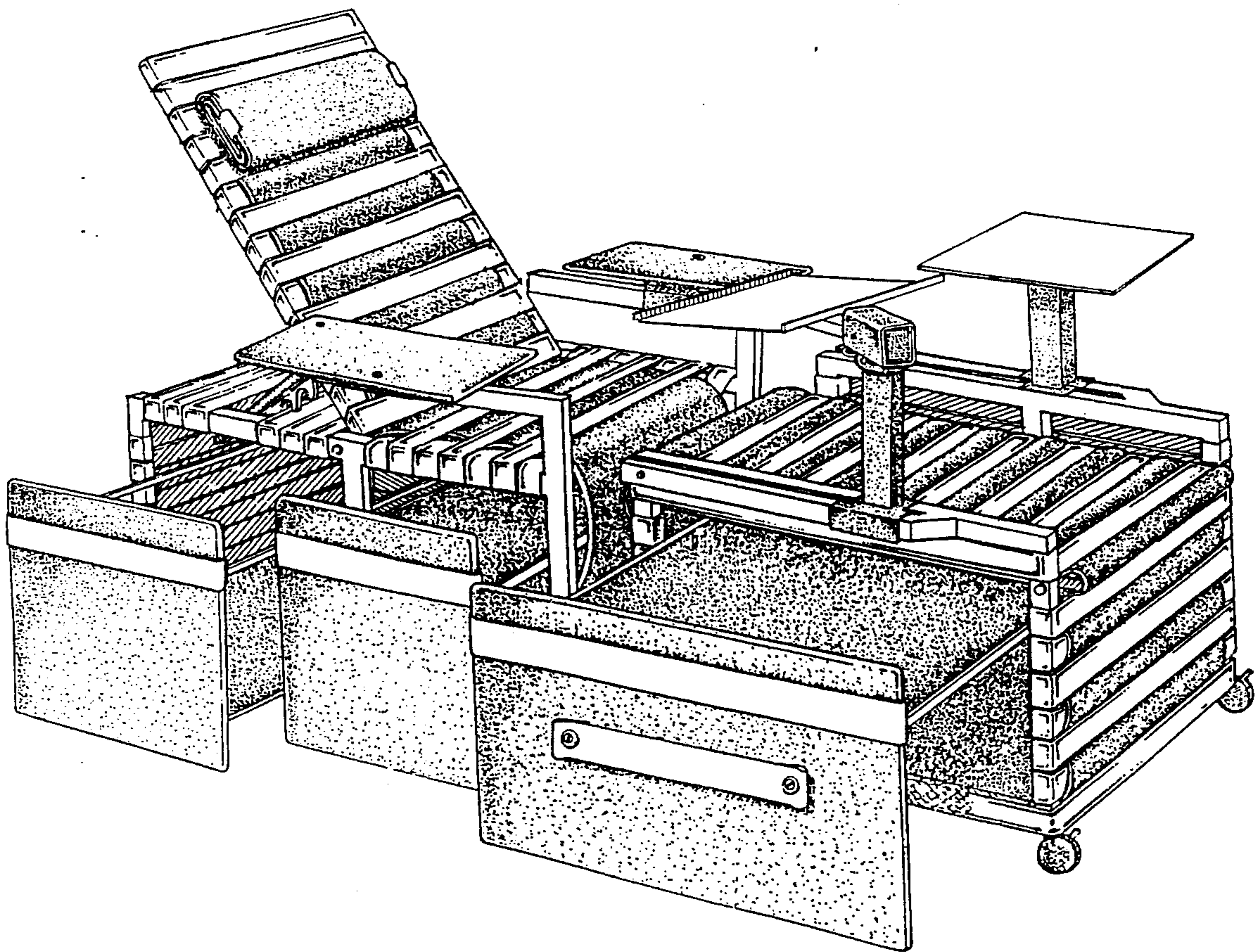
## [57] CLAIM

The ornamental design for a chair/desk relaxation office set, as shown and described.

## DESCRIPTION

FIG. 1 is a left three quarter view of a chair/desk relaxation office set showing a new design; FIG. 2 is a top view thereof; FIG. 3 is a front view thereof; FIG. 4 is a back view thereof; FIG. 5 is a right side view thereof; FIG. 6 is a left side view thereof; and, FIG. 7 is a bottom view thereof.

**1 Claim, 7 Drawing Sheets**



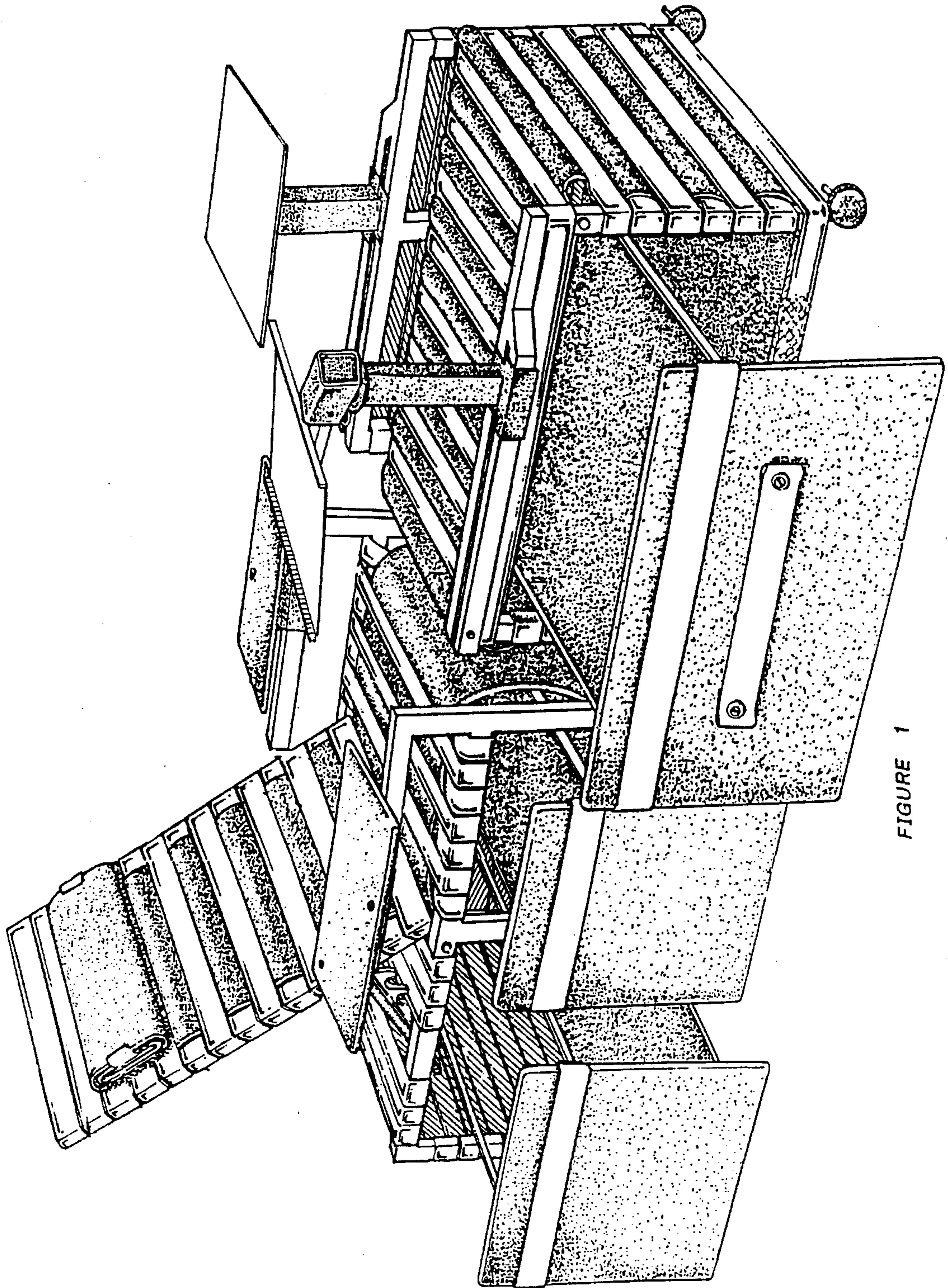


FIGURE 1

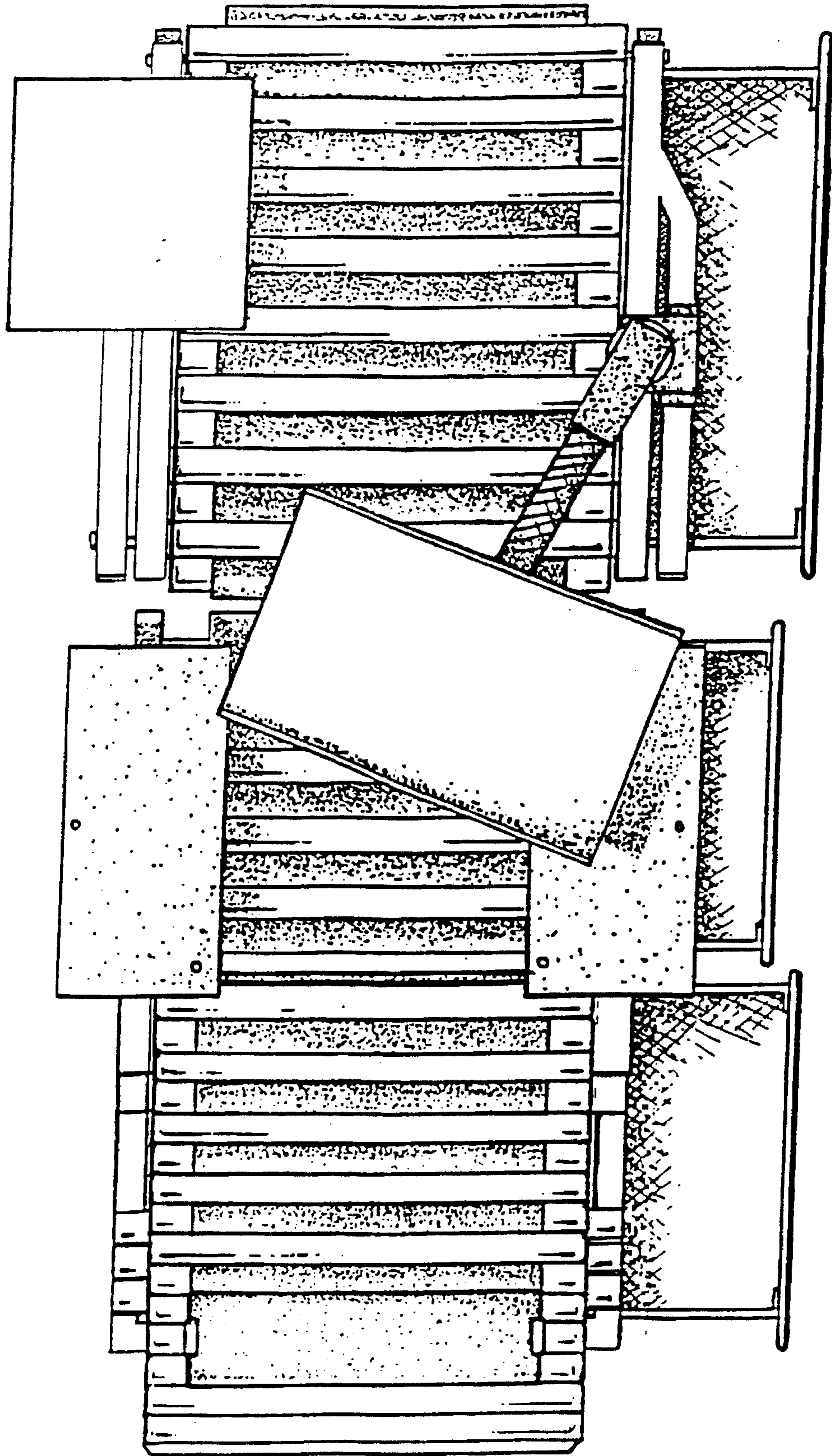


FIGURE 2

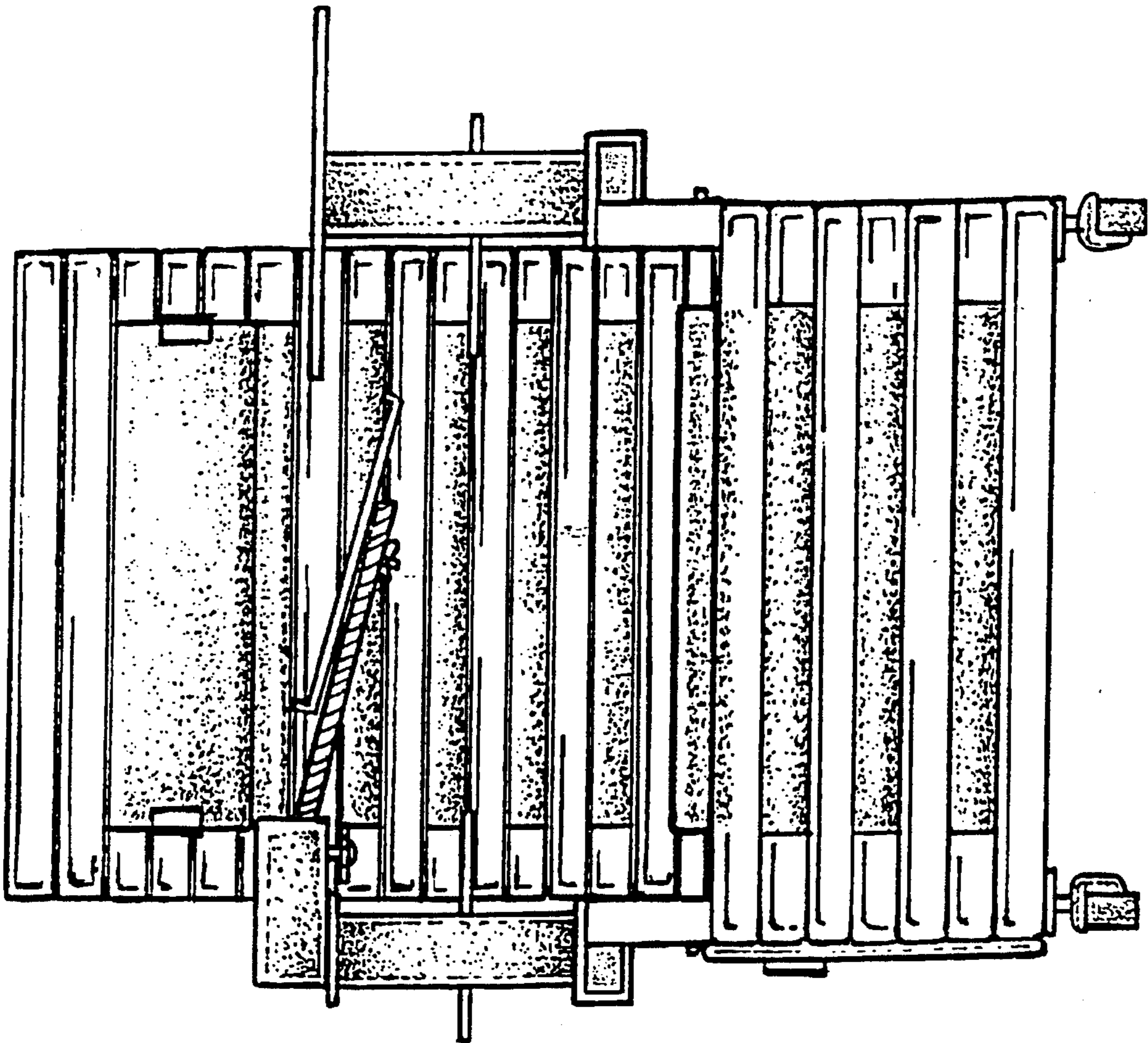


FIGURE 3

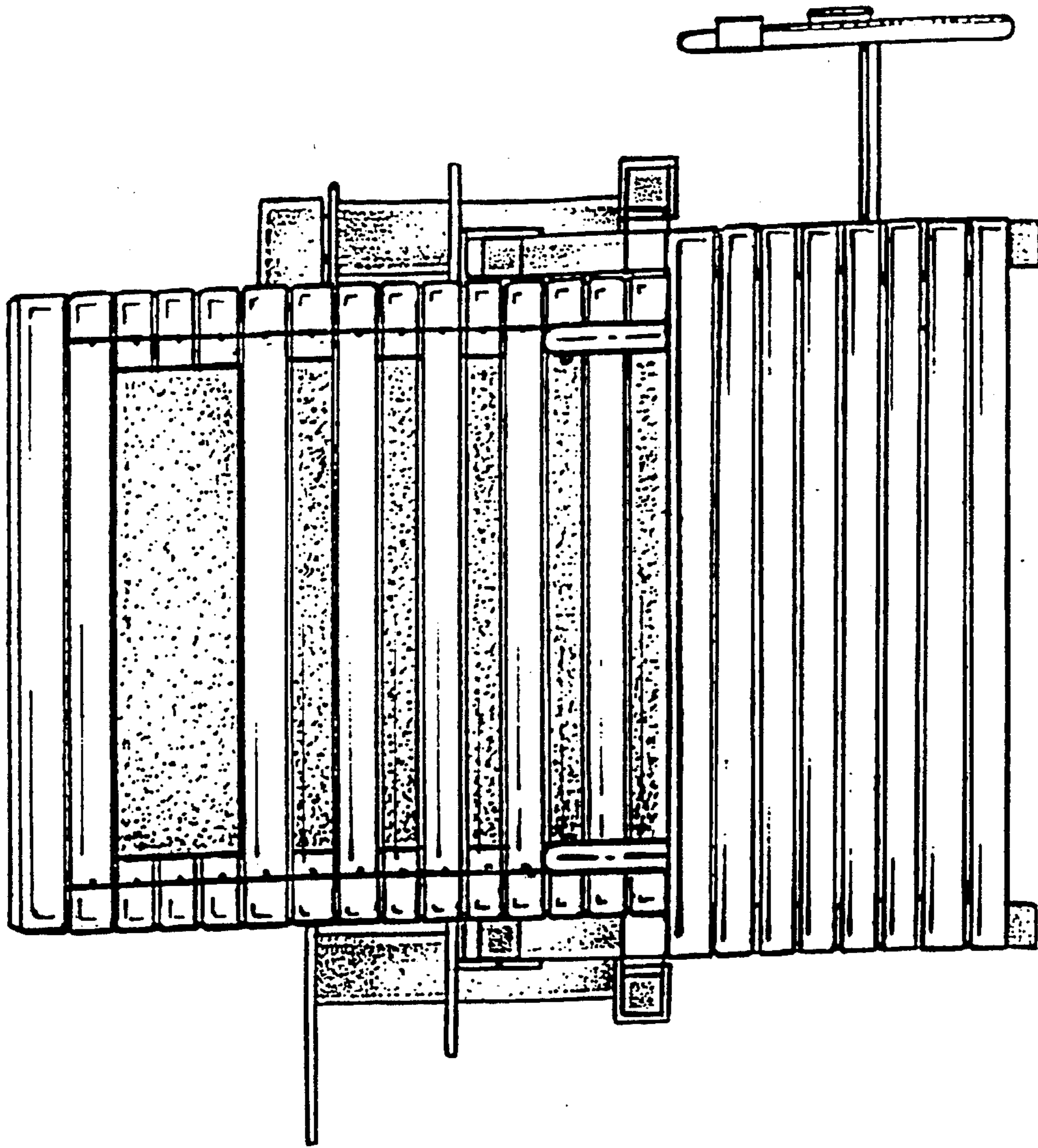


FIGURE 4

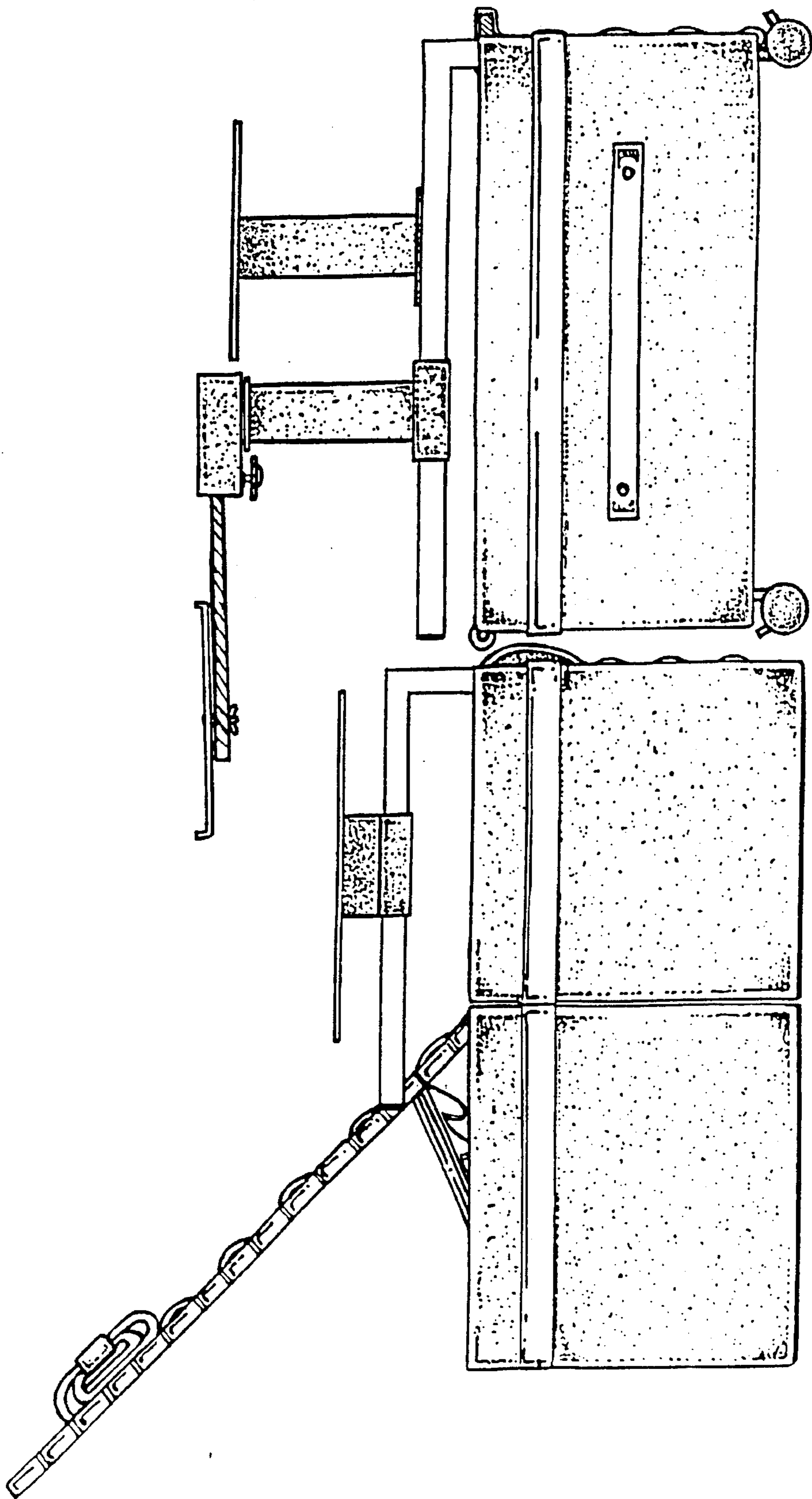


FIGURE 5

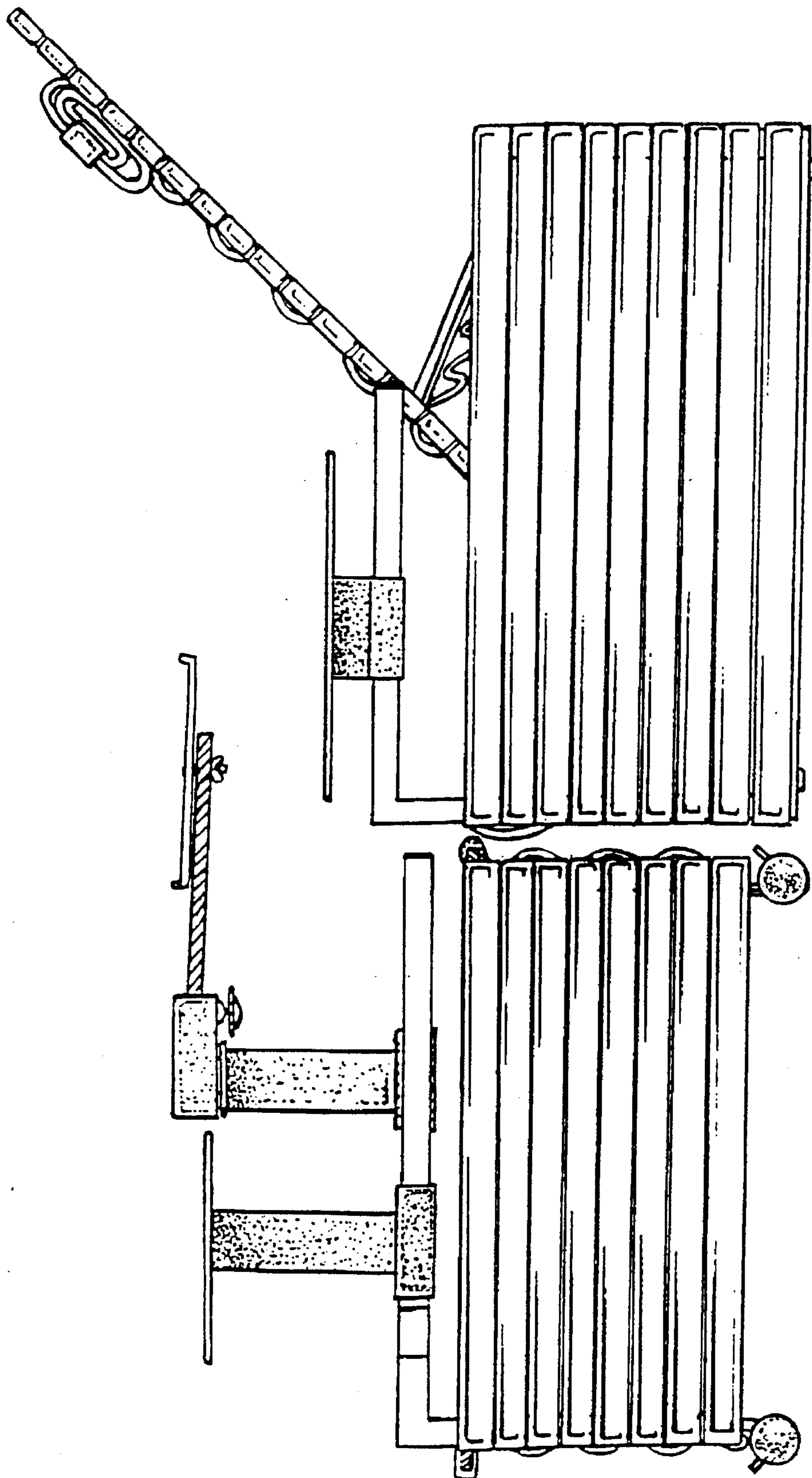


FIGURE 6

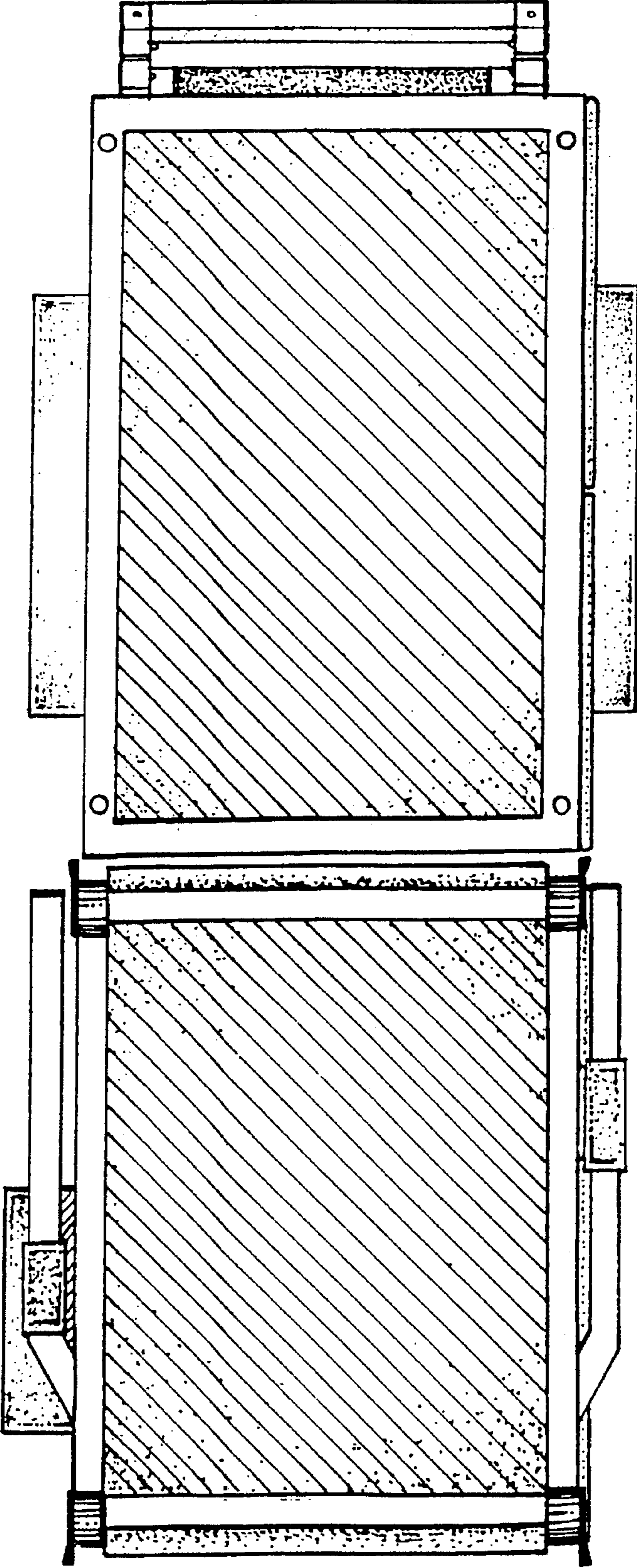


FIGURE 7