



US00D371908S

# United States Patent [19]

Umiker

[11] Patent Number: **Des. 371,908**

[45] Date of Patent: **\*\*Jul. 23, 1996**

[54] **FOLDABLE CONTAINER**

[75] Inventor: **Hans Umiker**, Egg/Zürich, Switzerland

[73] Assignee: **Schoeller-Plast SA**, Switzerland

[\*\*] Term: **14 Years**

2,000,738 5/1935 Benoit ..... 229/120.17 X  
 3,084,790 4/1963 Lugt, Jr. .... 229/120.17 X  
 3,167,211 1/1965 McCormick ..... D3/305 X  
 5,009,363 4/1991 Zavatore ..... 229/120.17

[21] Appl. No.: **40,556**

[22] Filed: **Jun. 21, 1995**

[30] **Foreign Application Priority Data**

Dec. 23, 1994 [DE] Germany ..... M 94 10 108.6

[52] **U.S. Cl.** ..... **D3/305; D9/346**

[58] **Field of Search** ..... D3/305, 314, 315,  
 D3/905; D9/341, 346, 425, 432; 206/503,  
 518, 517, 557, 561; 229/120.17, 120.08;  
 220/666, 529, 551

*Primary Examiner*—Prabhakar G. Deshmukh  
*Attorney, Agent, or Firm*—Remy J. VanOphem; John VanOphem

### [56] References Cited

#### U.S. PATENT DOCUMENTS

D. 210,739 4/1968 Hasselbach ..... D9/425 X  
 D. 260,080 8/1981 Ravotto et al. .... D9/418  
 D. 325,278 4/1992 Van Der Vlies ..... D3/305

### [57] CLAIM

The ornamental design for a foldable container, as shown and described.

### DESCRIPTION

FIG. 1 is a perspective view of foldable container showing my new design;

FIG. 2 is a front elevational view thereof; the rear elevational view being a mirror image thereof;

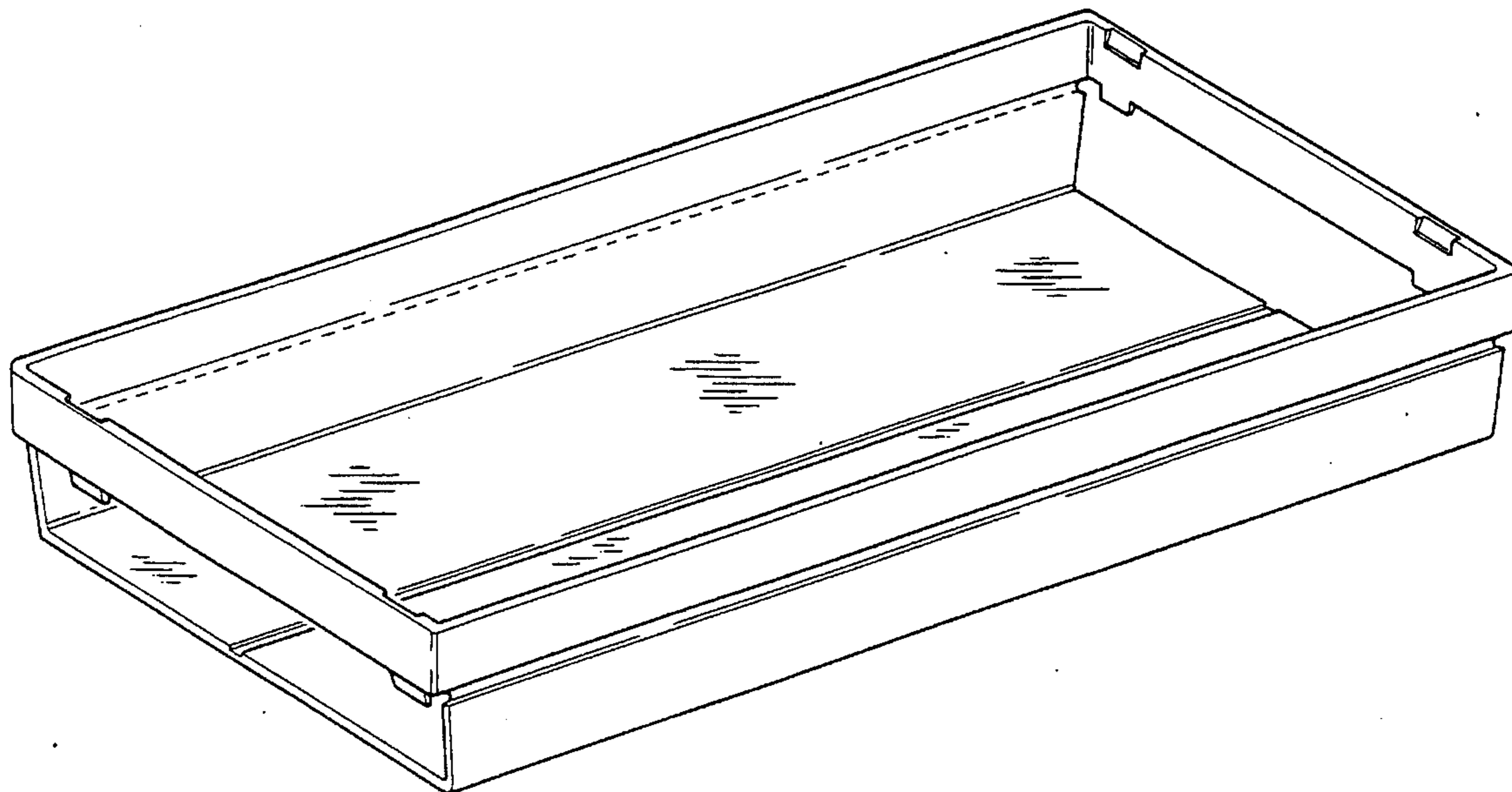
FIG. 3 is a top plan view thereof;

FIG. 4 is a left side elevational view thereof; the right side elevational view being a mirror image thereof;

FIG. 5 is a left side elevational view thereof; shown in an alternate position; and,

FIG. 6 is a bottom plan view thereof.

**1 Claim, 3 Drawing Sheets**



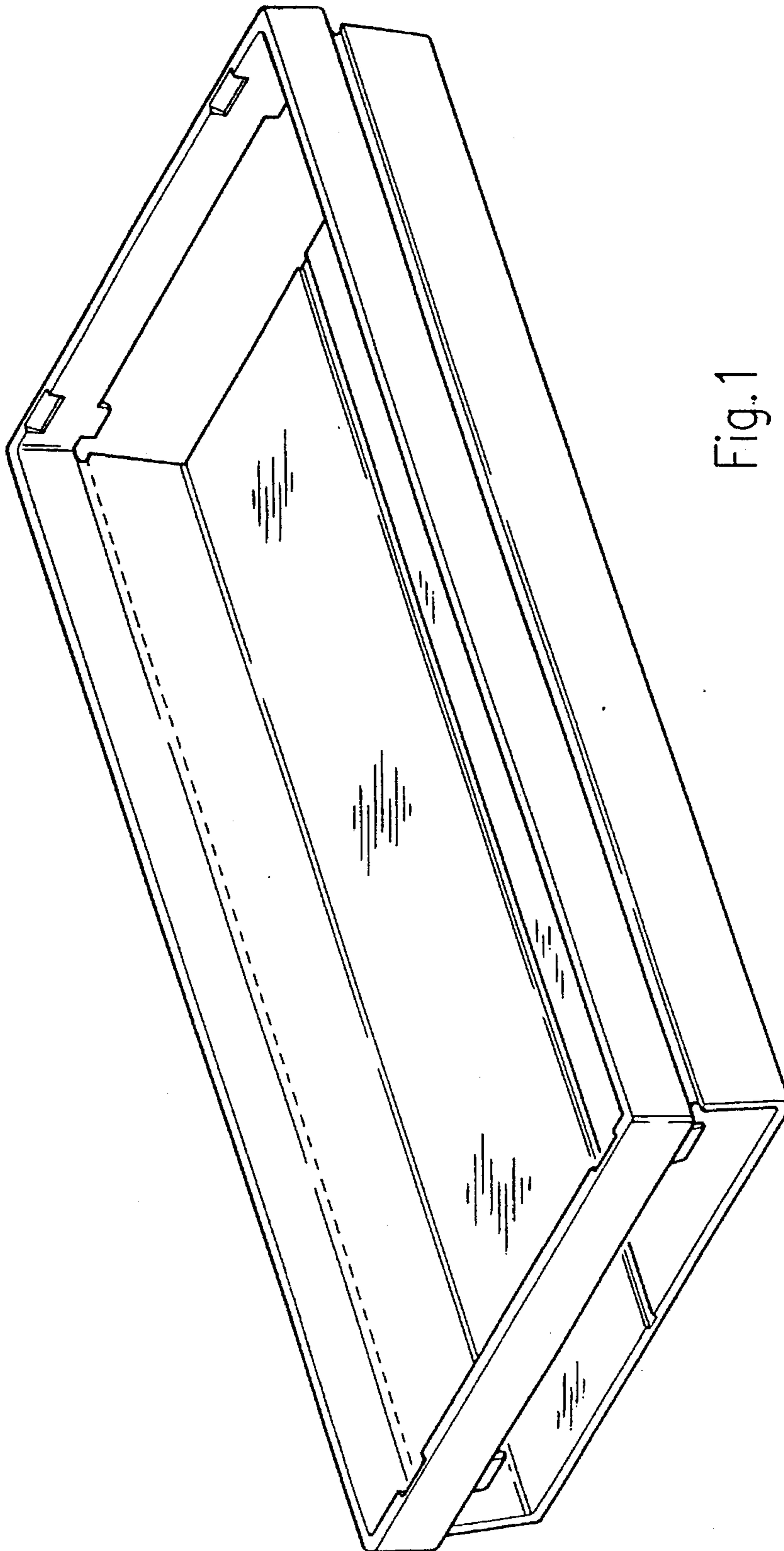


Fig. 1

Fig. 2

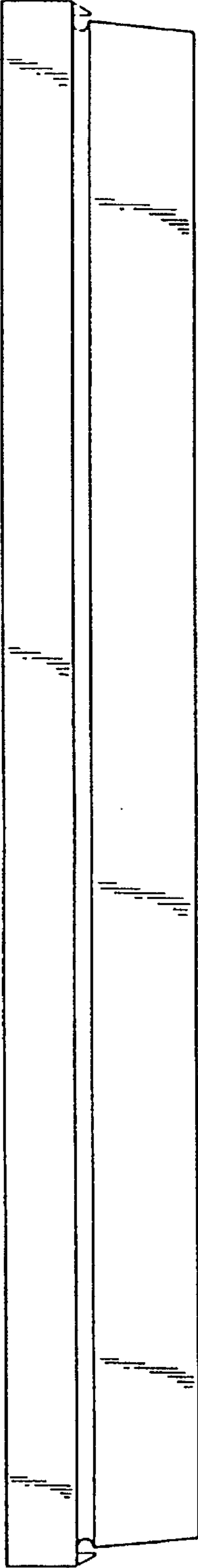
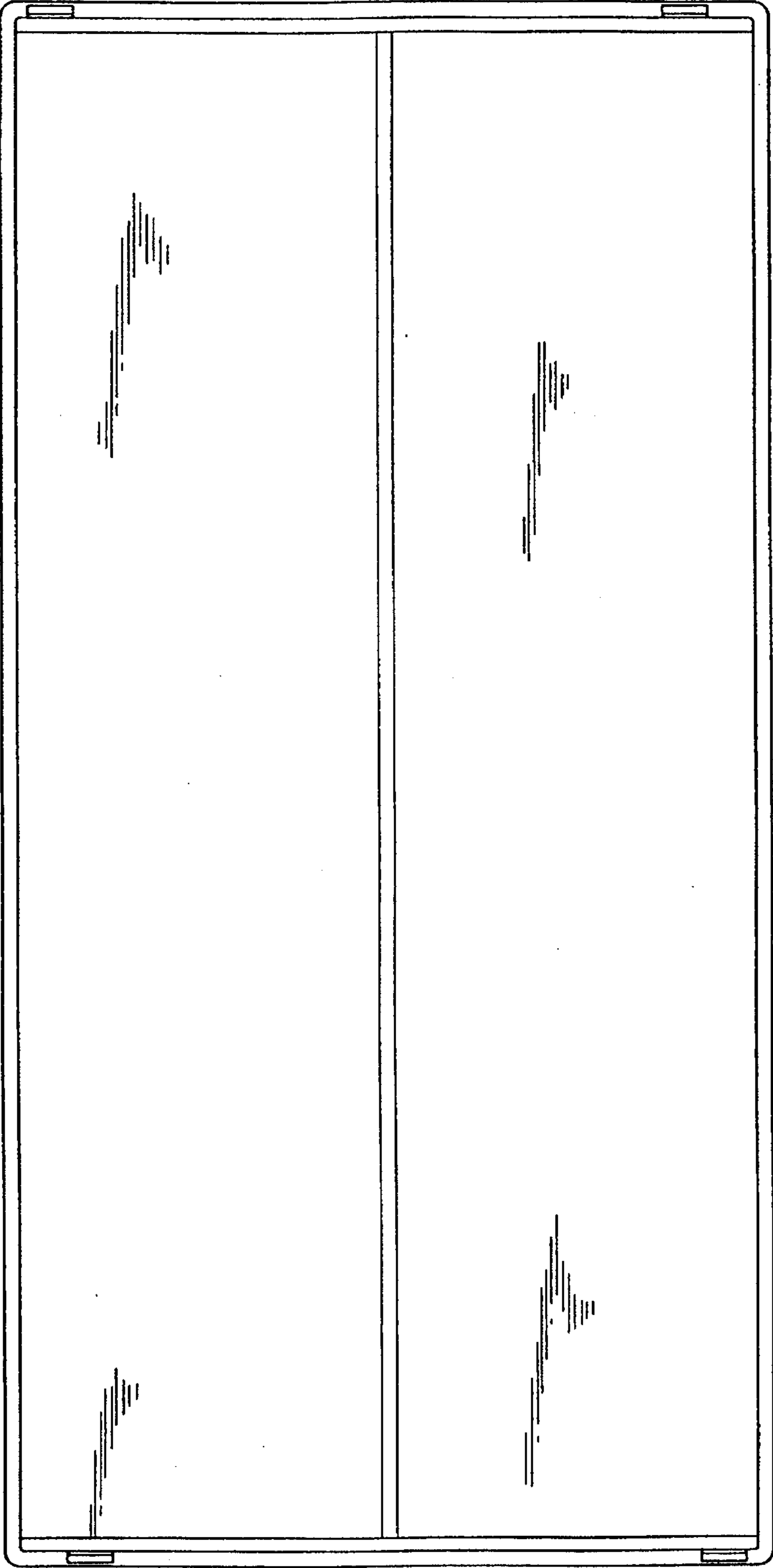


Fig. 3



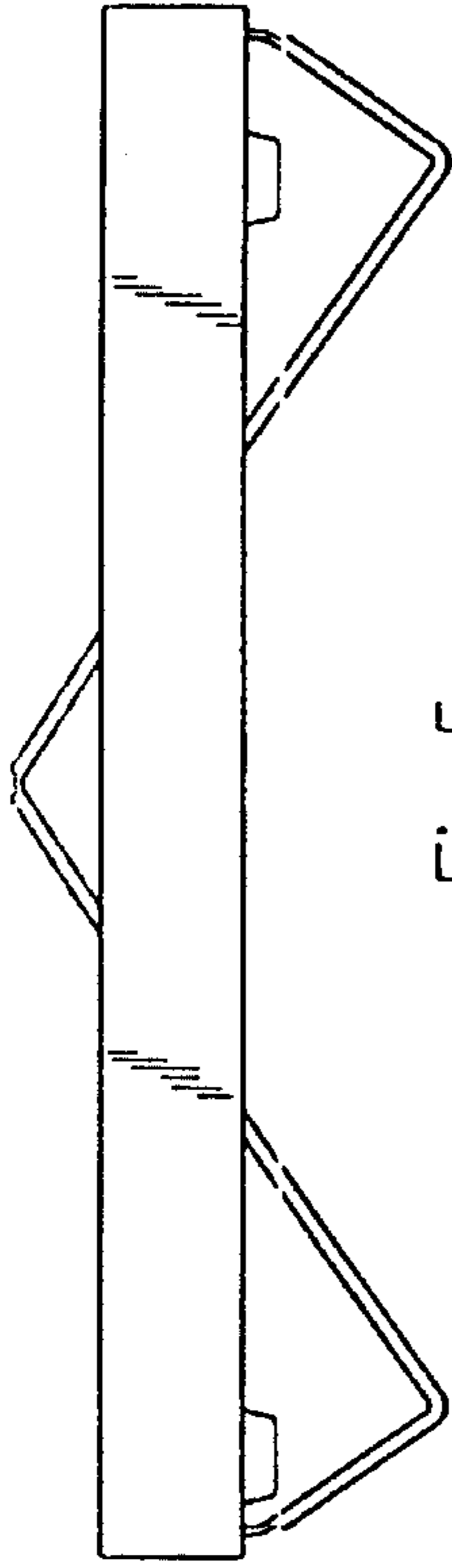


Fig. 5

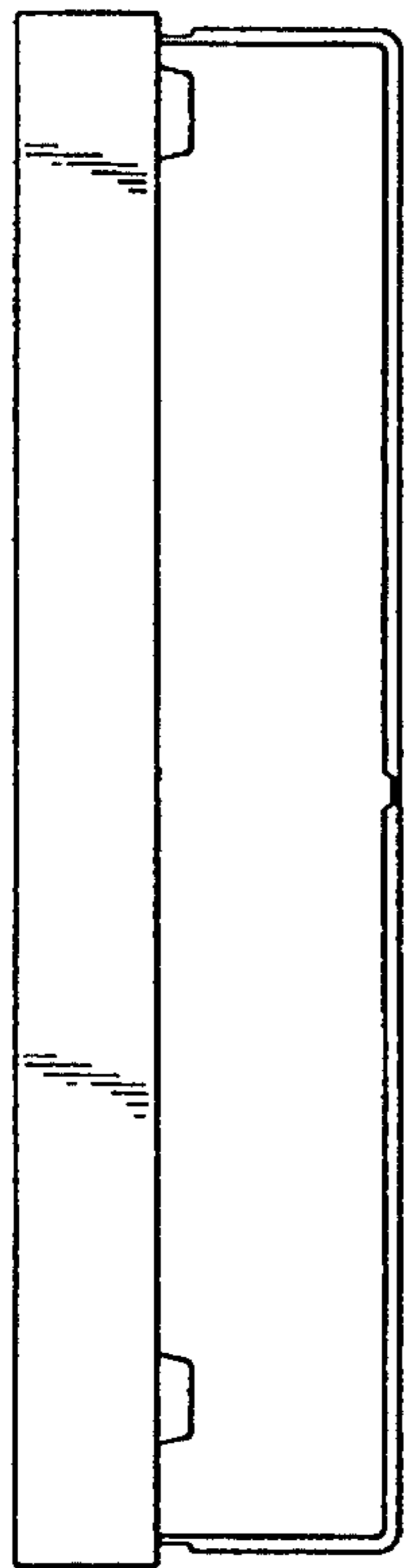


Fig. 4

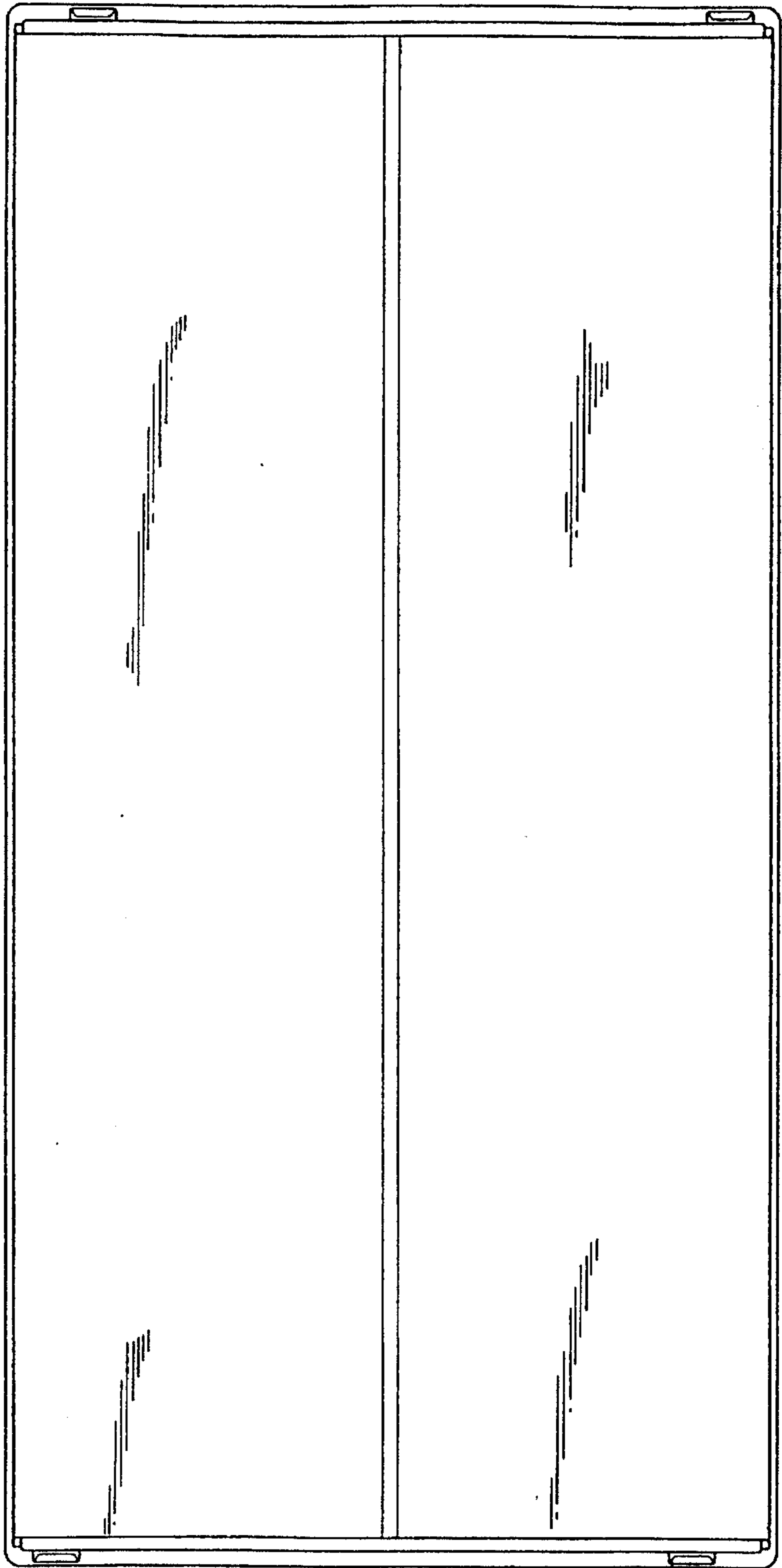


Fig. 6