



US00D371901S

**United States Patent** [19]  
**Perls**

[11] **Patent Number: Des. 371,901**

[45] **Date of Patent: \*\*Jul. 23, 1996**

[54] **COMBINED BEACH UMBRELLA AND SHOVEL BASE**

[76] **Inventor: John A. Perls, 124-B Erie St., Jersey City, N.J. 07302**

[\*\*] **Term: 14 Years**

[21] **Appl. No.: 33,151**

[22] **Filed: Dec. 27, 1994**

[52] **U.S. Cl. .... D2/5**

[58] **Field of Search ..... D3/5, 6; 135/19.5, 135/16, 98**

[56] **References Cited**

**U.S. PATENT DOCUMENTS**

12,602	12/1881	Wright	.....	D3/6
2,103,948	12/1937	Jones	.....	135/15.1
2,579,484	12/1951	Fenton	.....	D8/10

*Primary Examiner*—Ralf Seifert  
*Attorney, Agent, or Firm*—Siegmar Silber

[57] **CLAIM**

The ornamental design for a combined beach umbrella and shovel base, as shown and described.

**DESCRIPTION**

FIG. 1 is a reduced perspective view of the a combined beach umbrella and shovel base of this invention, shown with the umbrella portion open;

FIG. 2 is a partial enlarged perspective view of the shovel-type base of FIG. 1 showing the details of the step portion thereof;

FIG. 3 is a top plan view of FIG. 1 , but shown with the umbrella portion closed;

FIG. 4 is a left side elevational view of FIG. 1;

FIG. 5 is a front elevational view of FIG. 1;

FIG. 6 is a rear elevational view of FIG. 1; and,

FIG. 7 is a bottom plan view of FIG. 1, but shown with the umbrella portion closed.

The underside of the umbrella forms no part of the claimed design.

**1 Claim, 3 Drawing Sheets**

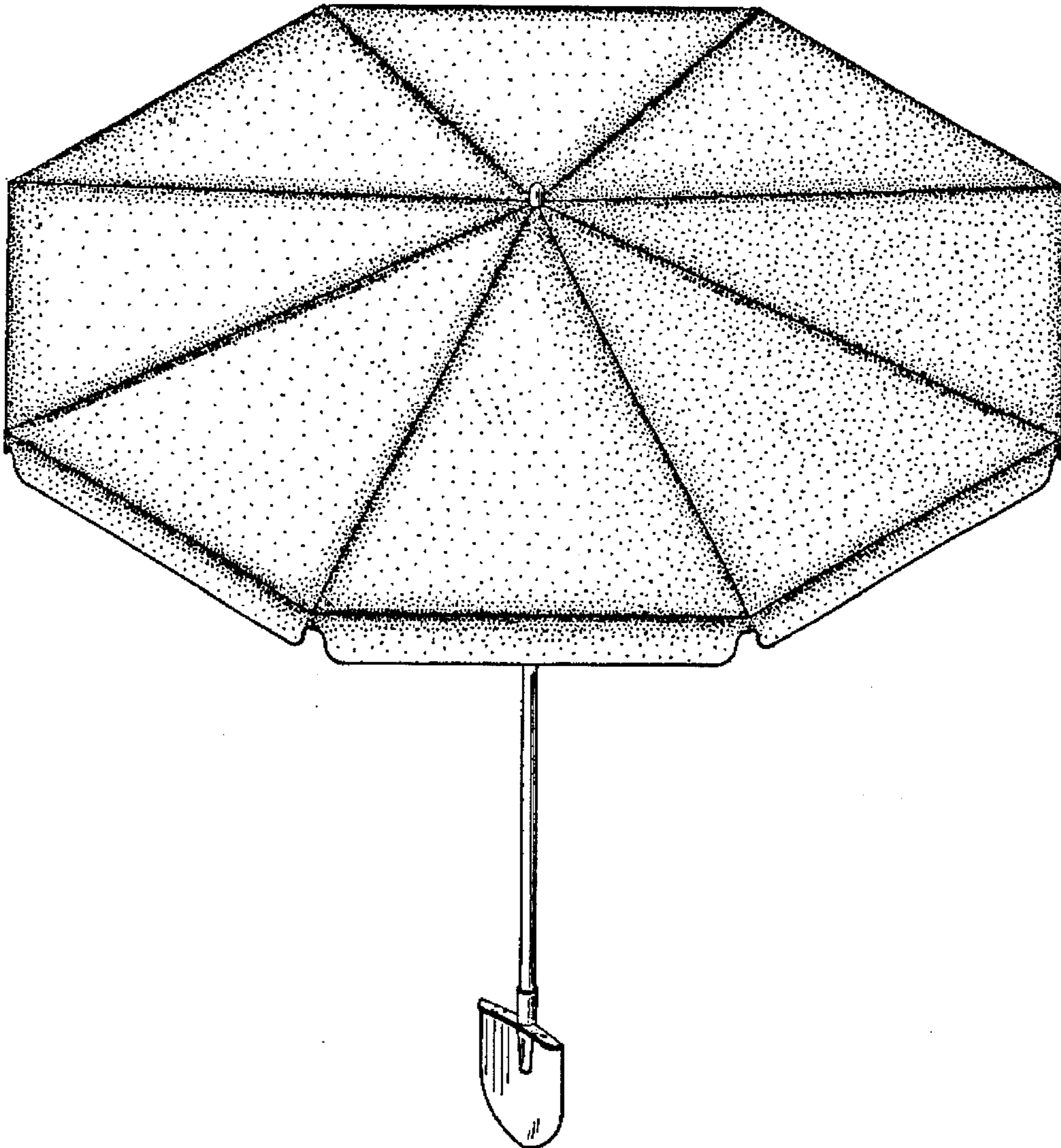


FIG. 1

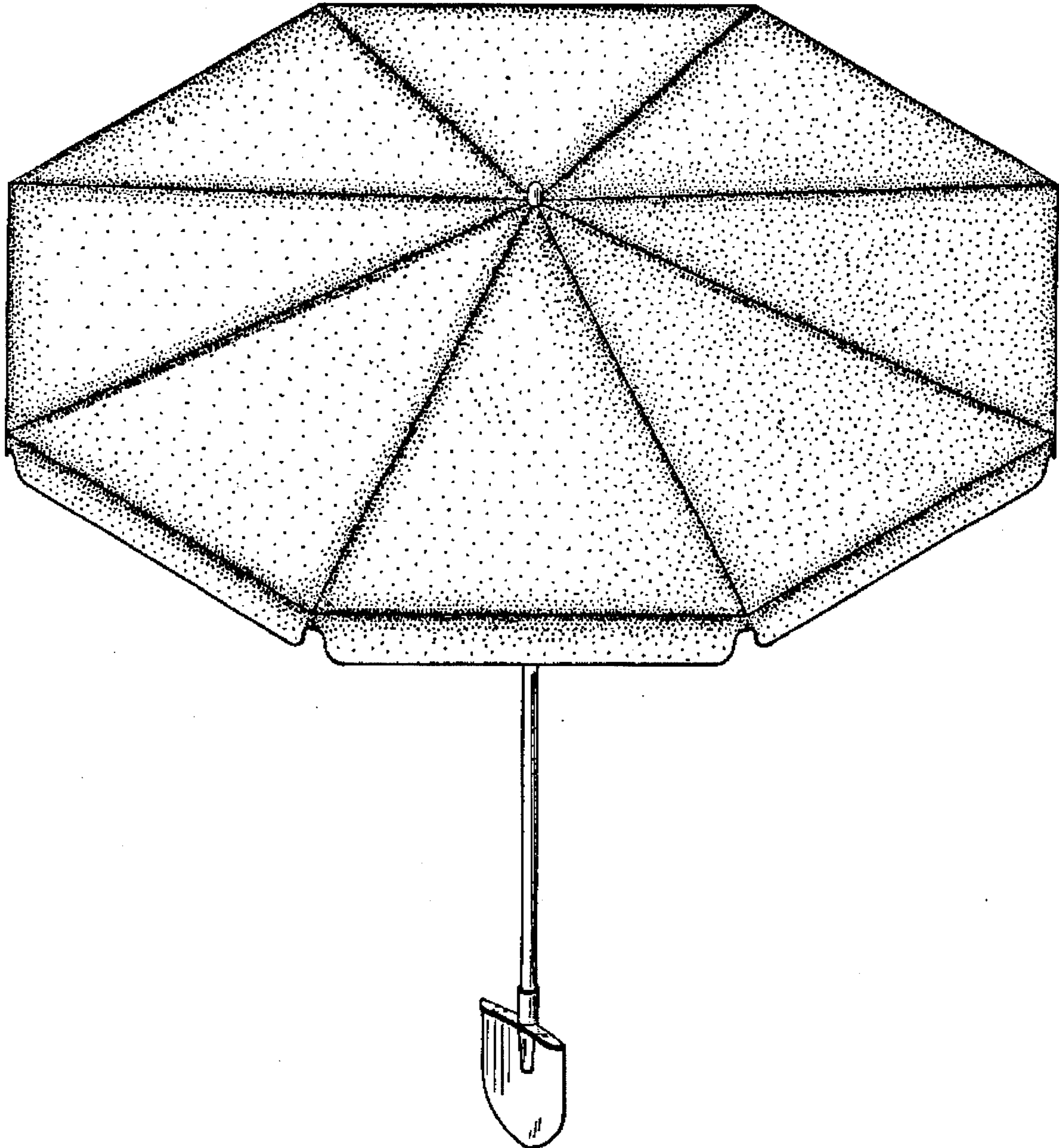


FIG. 2

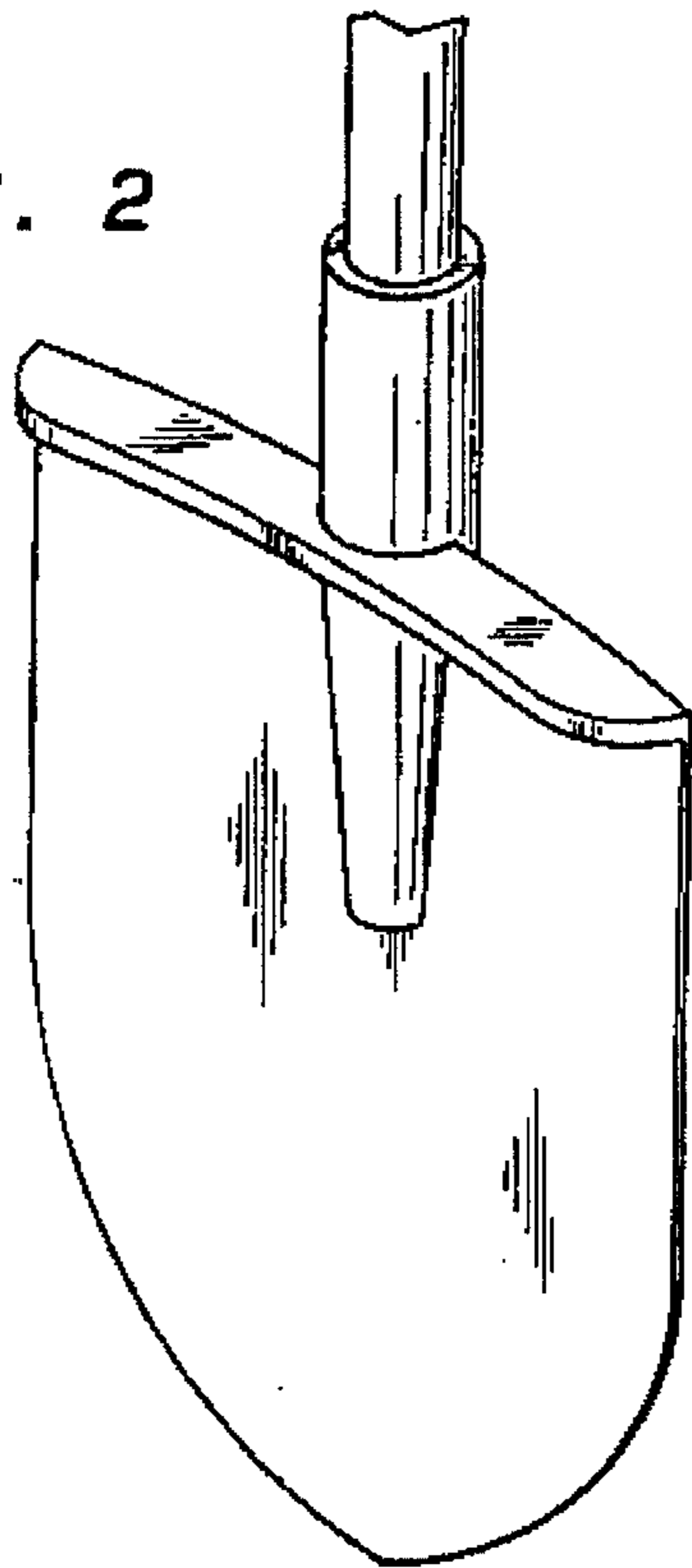


FIG. 3

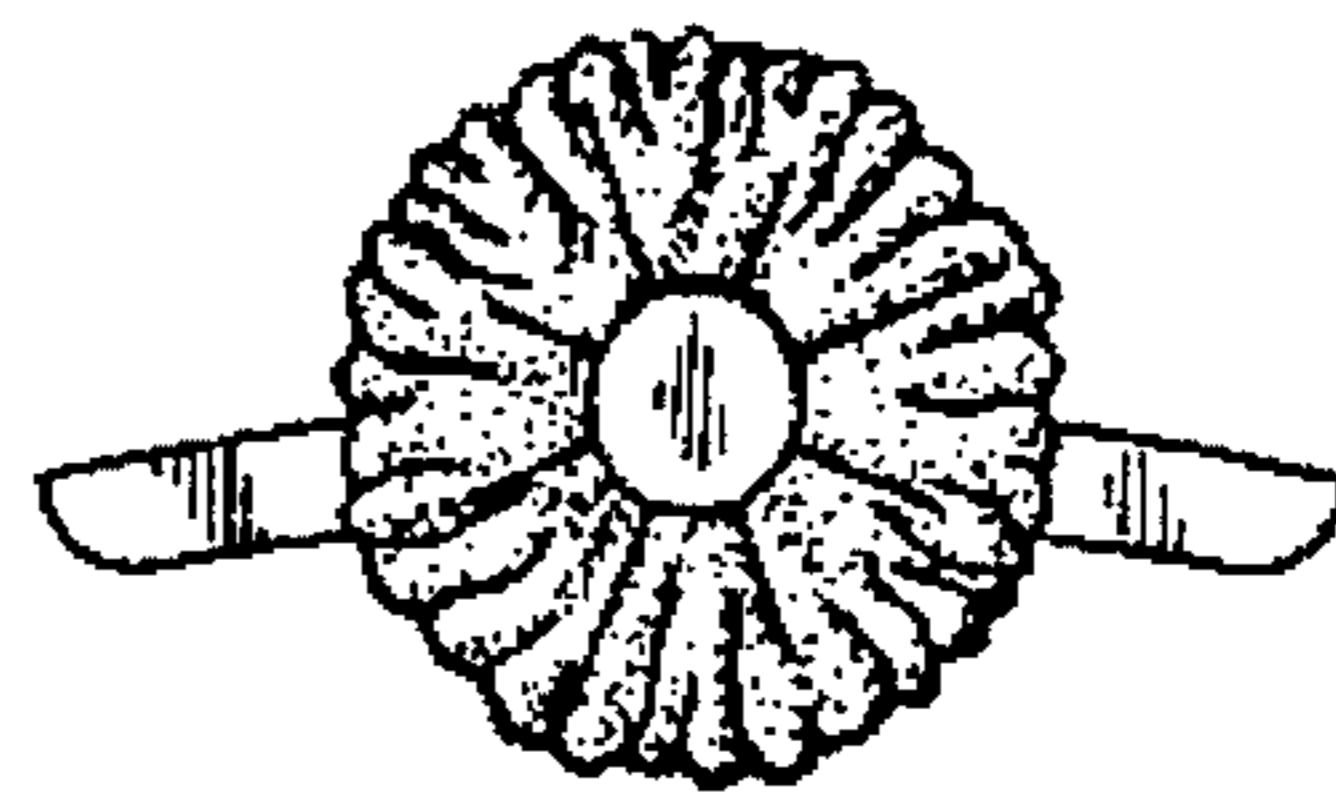


FIG. 4

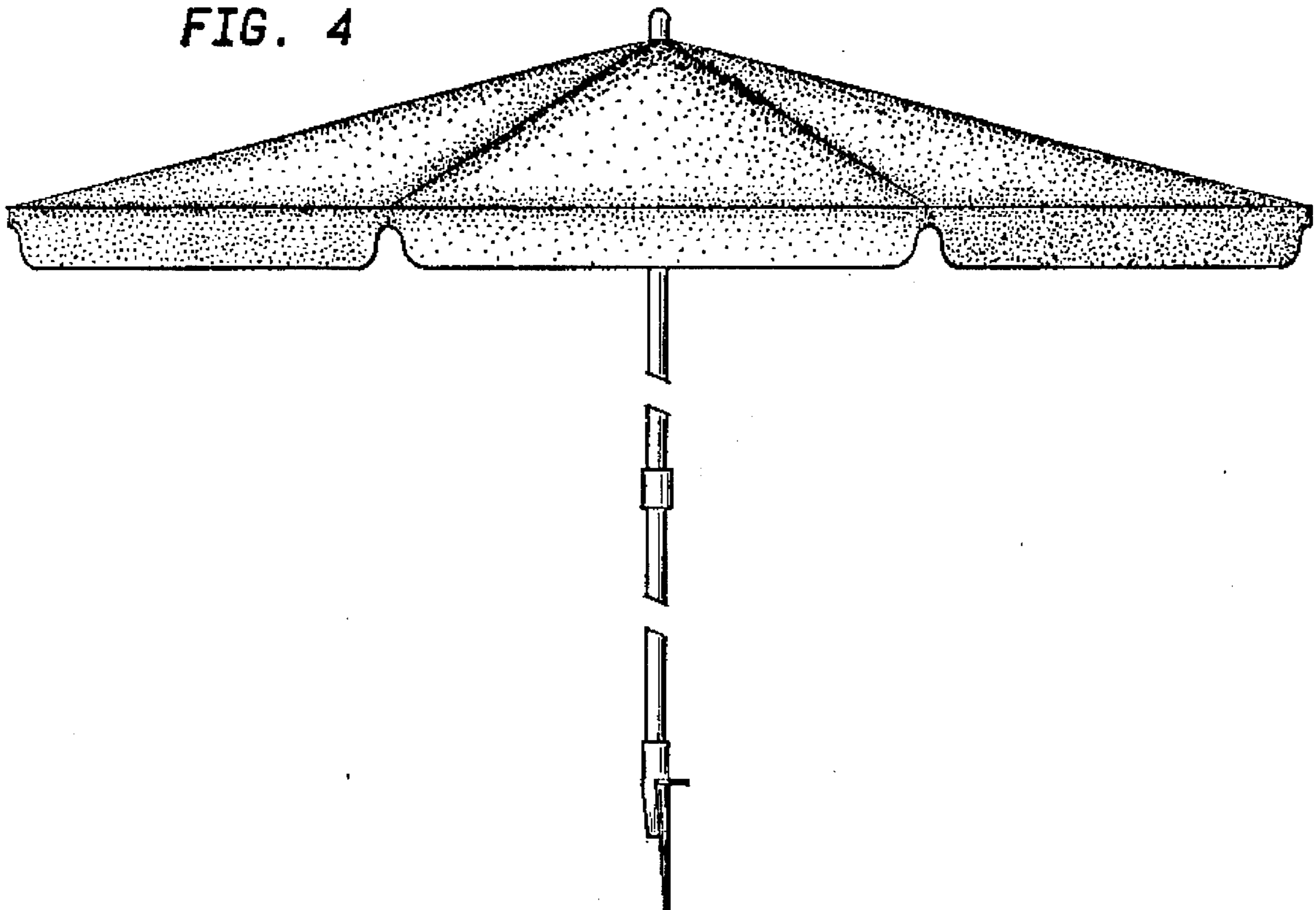




FIG. 5

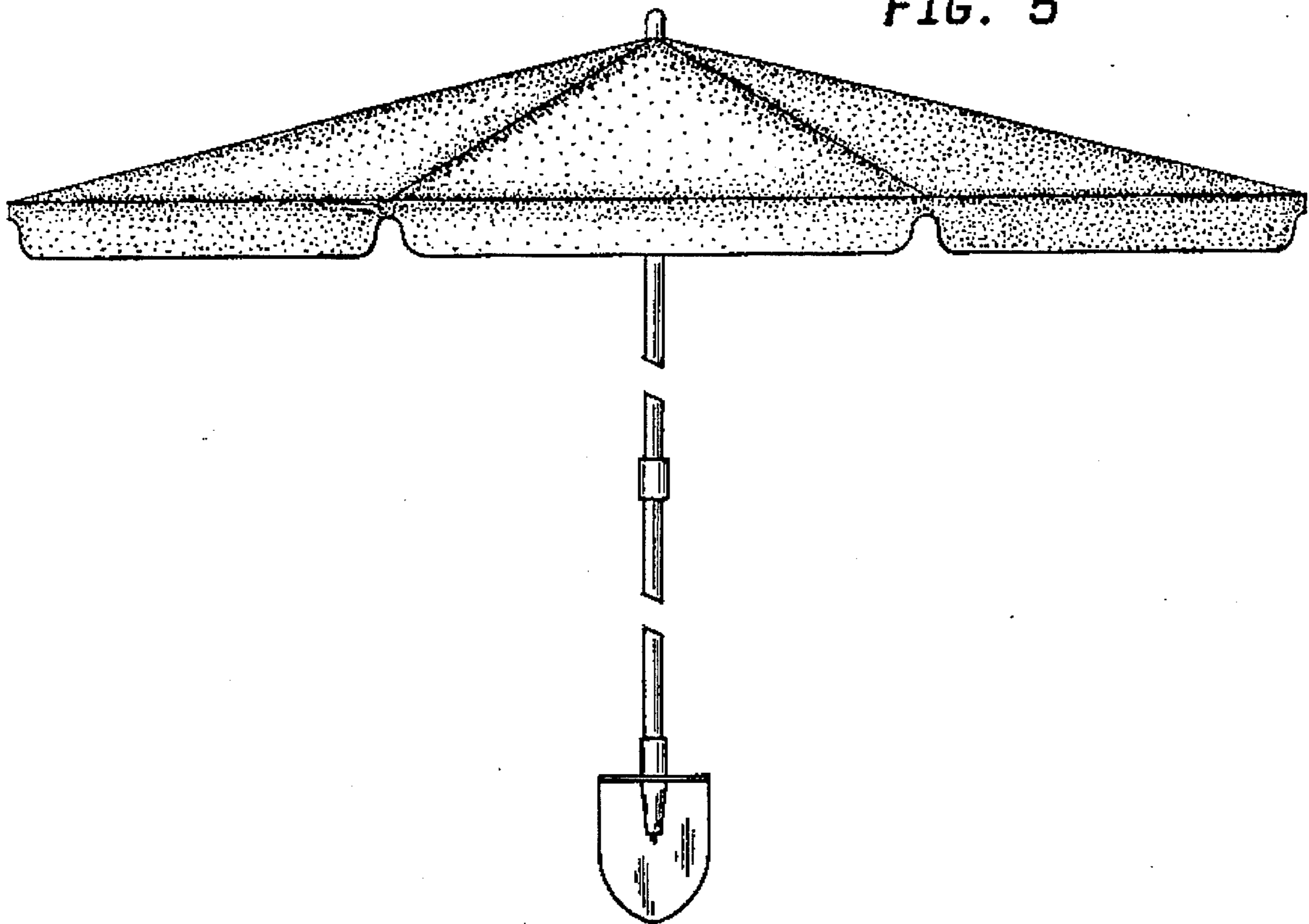


FIG. 6

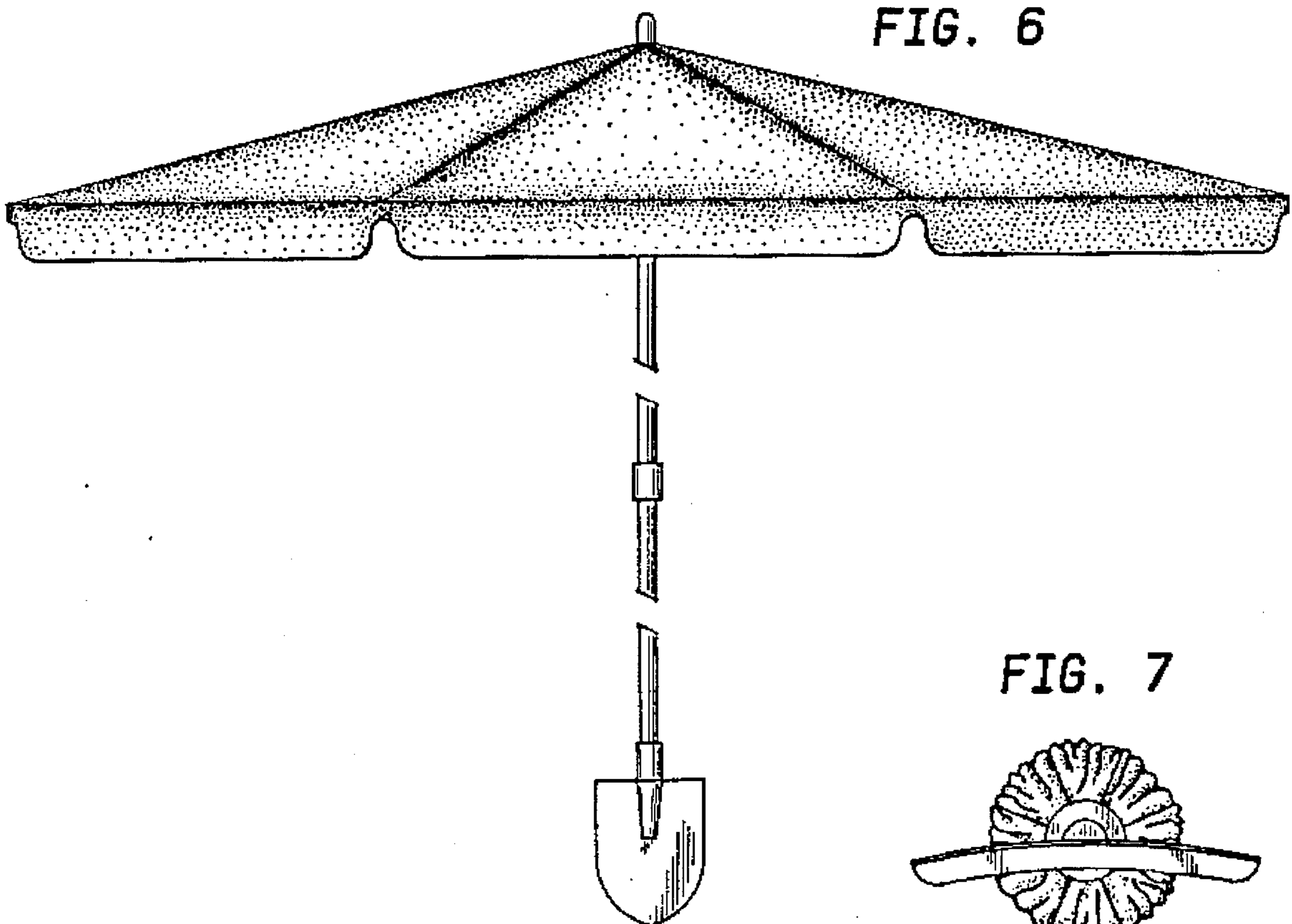


FIG. 7

