



US00D371900S

**United States Patent** [19]  
**Schwartz**

[11] **Patent Number: Des. 371,900**

[45] **Date of Patent: \*\*Jul. 23, 1996**

[54] **SWEEP SPORT FAN**

[76] Inventor: **Mark A. Schwartz**, 15618 Grovewood,  
Cleveland, Ohio 44110

[\*\*] Term: **14 Years**

[21] Appl. No.: **45,847**

[22] Filed: **Oct. 31, 1995**

[52] U.S. Cl. .... **D3/2**

[58] Field of Search ..... D3/1, 2, 3, 4;  
416/70 A, 70 R, 71, 72, 73, 69

D. 333,212	2/1993	Routt .	
D. 338,778	8/1993	Routt .	
710,295	9/1902	McNamara .....	416/70 X
902,633	11/1908	Wigand et al. ....	416/71
1,388,037	8/1921	Hasskarl .....	416/70 A X

*Primary Examiner*—Louis S. Zarfes  
*Assistant Examiner*—Frank Martinez  
*Attorney, Agent, or Firm*—Brumbaugh, Graves, Donohue & Raymond

[57] **CLAIM**

The ornamental design for a sweep sport fan, as shown and described.

[56] **References Cited**

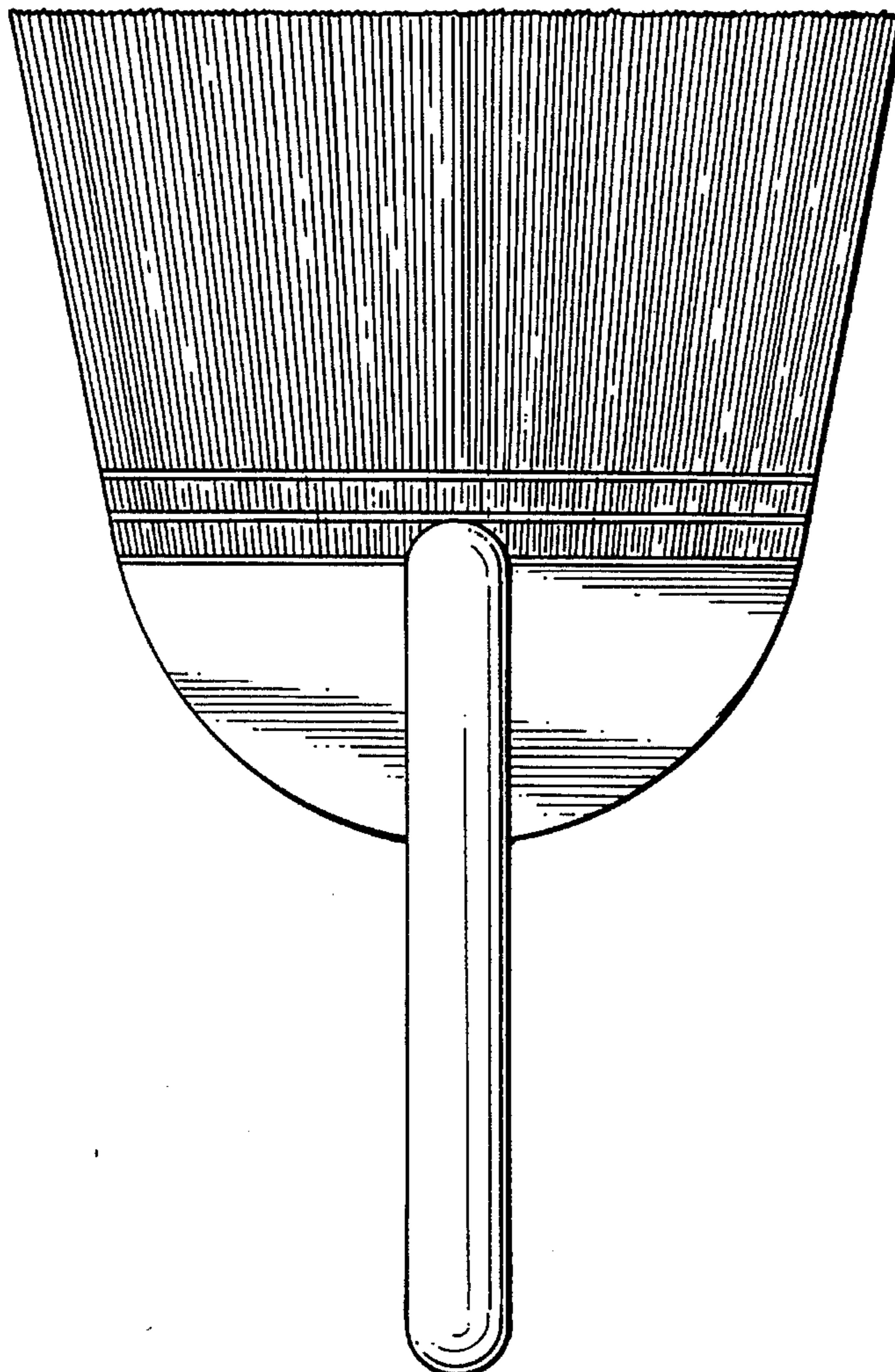
**U.S. PATENT DOCUMENTS**

D. 11,776	5/1880	Eble .	
D. 11,777	5/1880	Eble .	
D. 15,112	7/1884	Gillette .....	D3/1
76,875	4/1868	Ainsworth .	
84,276	11/1868	Hancock .	
D. 101,017	5/1936	Waters .	
D. 147,406	9/1947	Goeller .	
D. 247,580	3/1978	Hannon .....	D3/1 X
D. 282,125	1/1986	Alonzo .	
D. 312,529	12/1990	Routt .	

**DESCRIPTION**

FIG. 1 is a front view of a sweep sport fan, showing my new design;  
FIG. 2 is a side view;  
FIG. 3 is a top view; and,  
FIG. 4 is a bottom view.  
The sweep fan may be used by a sports fan to indicate a "sweep" in a sporting event.

**1 Claim, 1 Drawing Sheet**



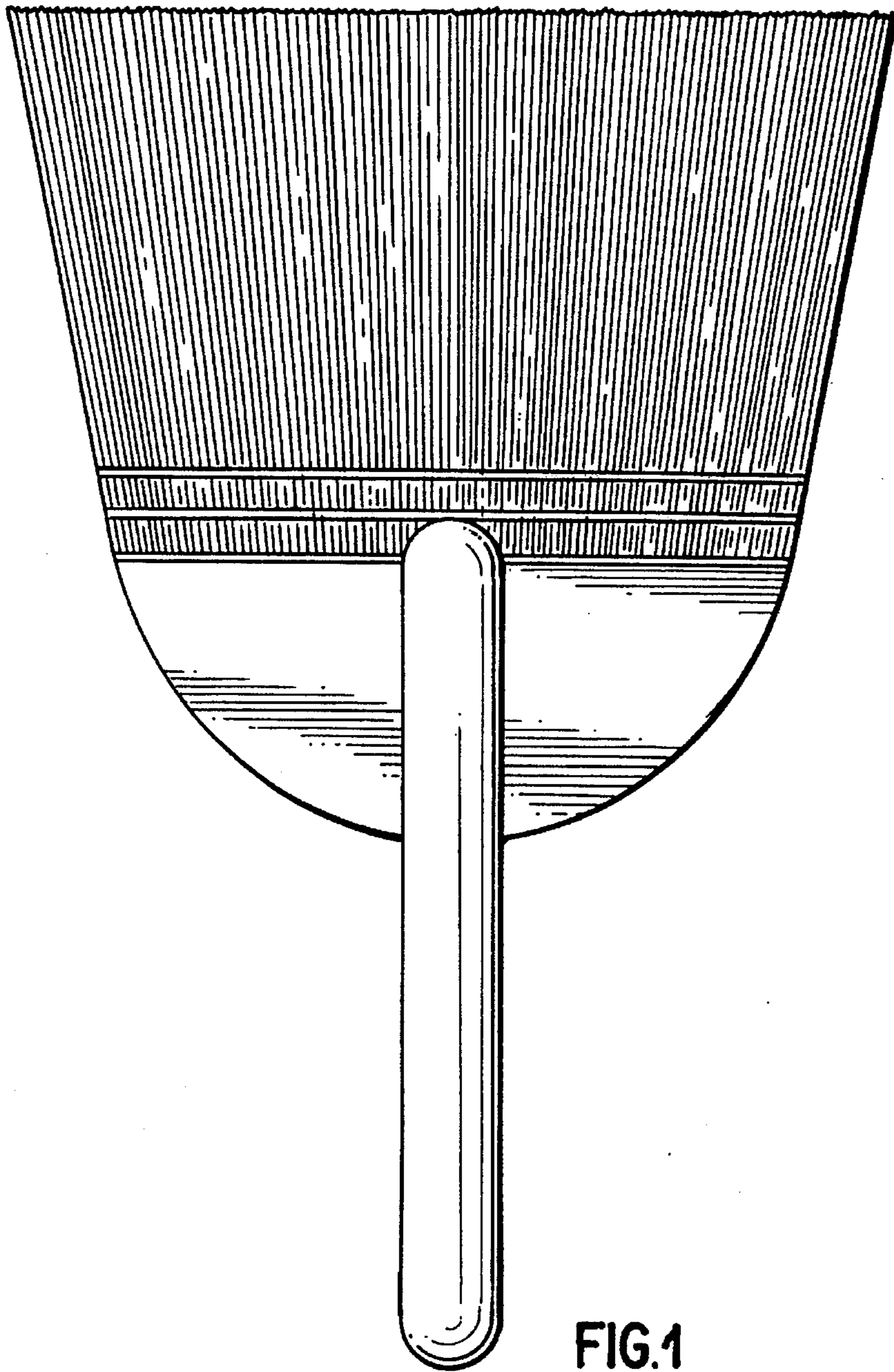


FIG. 1

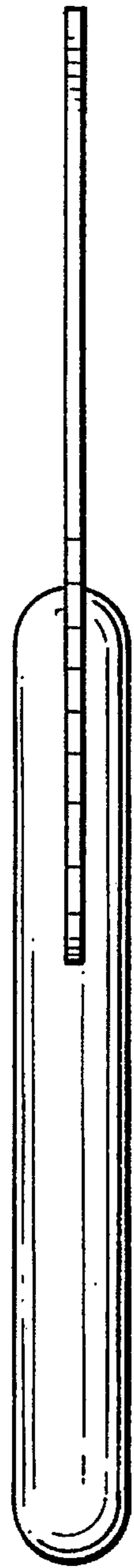


FIG. 2



FIG. 3



FIG. 4