



US00D371891S

United States Patent [19]

[11] Patent Number: **Des. 371,891**

Seaton

[45] Date of Patent: ****Jul. 23, 1996**

[54] **BOW CLIP**

3,218,650 11/1965 Less 2/151 X
4,339,059 7/1982 Kenyon 2/151 X

[76] Inventor: **Rosemary A. Seaton**, 627 Springview Dr., Pickering, Ontario, Canada, LIV4X5

Primary Examiner—Ted Shooman
Assistant Examiner—Paula Mortimer

[**] Term: **14 Years**

[57] **CLAIM**

[21] Appl. No.: **31,397**

The ornamental design for a the bow clip, as shown and described.

[22] Filed: **Nov. 25, 1994**

[52] U.S. Cl. **D2/606**

DESCRIPTION

[58] Field of Search D2/600, 602, 603, D2/605, 606; 2/144, 145, 148, 151, 154, 207; D28/39, 40, 41, 42

FIG. 1 is a front elevational view of the the bow clip showing my new design;
FIG. 2 is a rear elevational view thereof;
FIG. 3 is a left side elevational view thereof;
FIG. 4 is a right side elevational view thereof;
FIG. 5 is a top plan view thereof;
FIG. 6 is a bottom plan view thereof; and,
FIG. 7 is an isometric view thereof.

[56] References Cited

U.S. PATENT DOCUMENTS

D. 151,718 11/1948 Rothe D2/606
D. 229,796 1/1974 Eckstein D2/605 X
D. 258,623 3/1981 Rosso D2/606
2,510,323 6/1950 Taborski D2/606 X

1 Claim, 4 Drawing Sheets

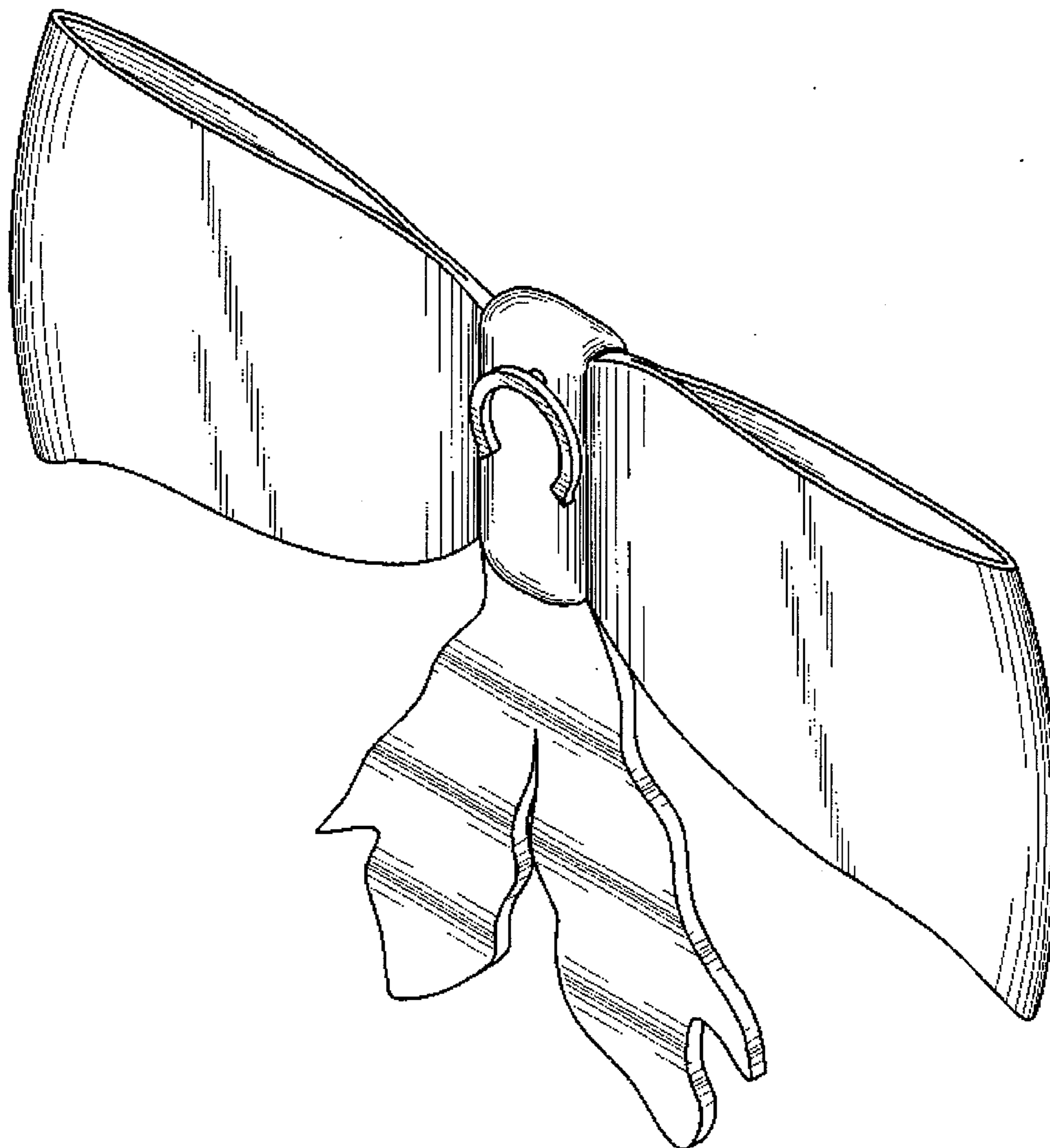


FIG. 1

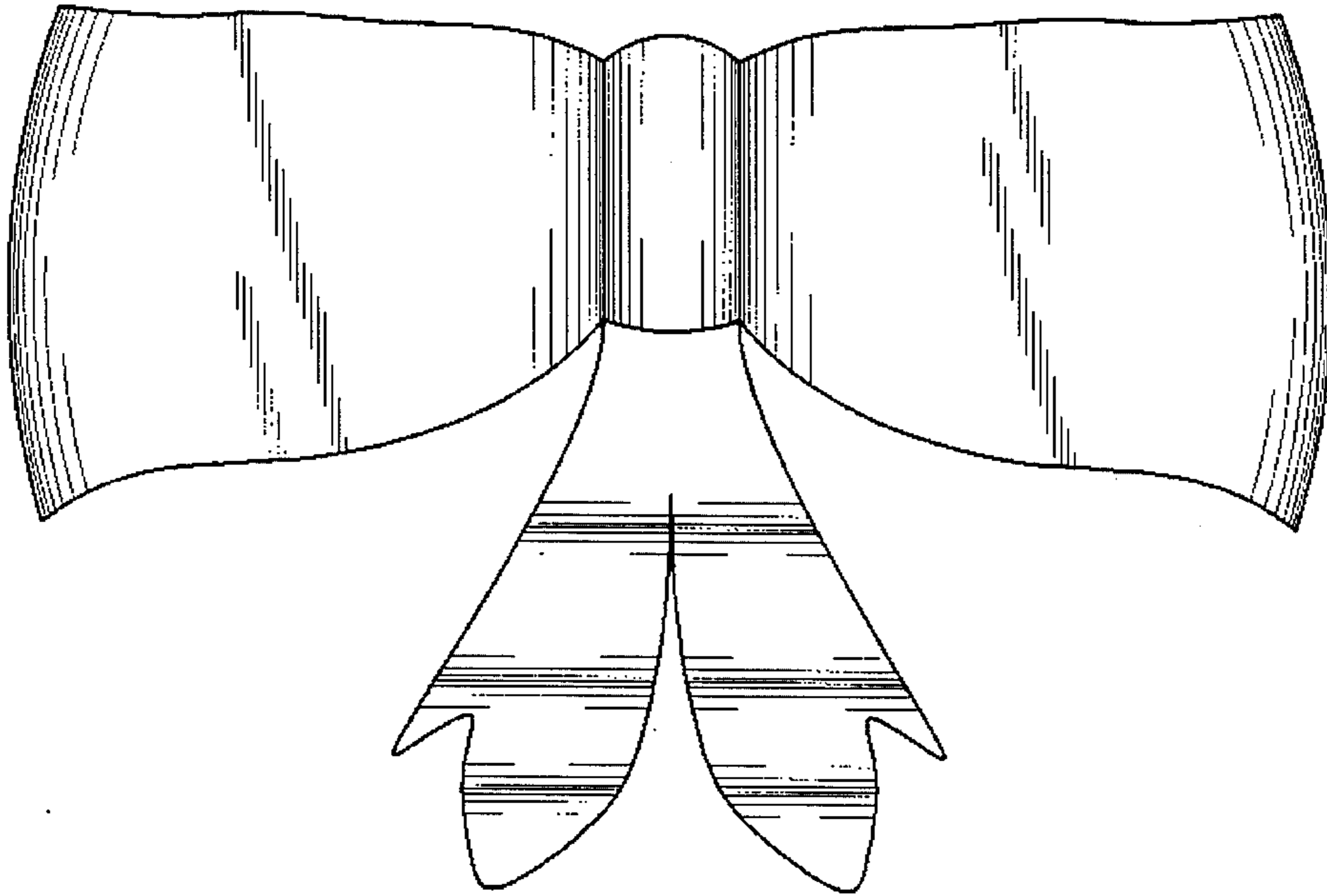


FIG. 2

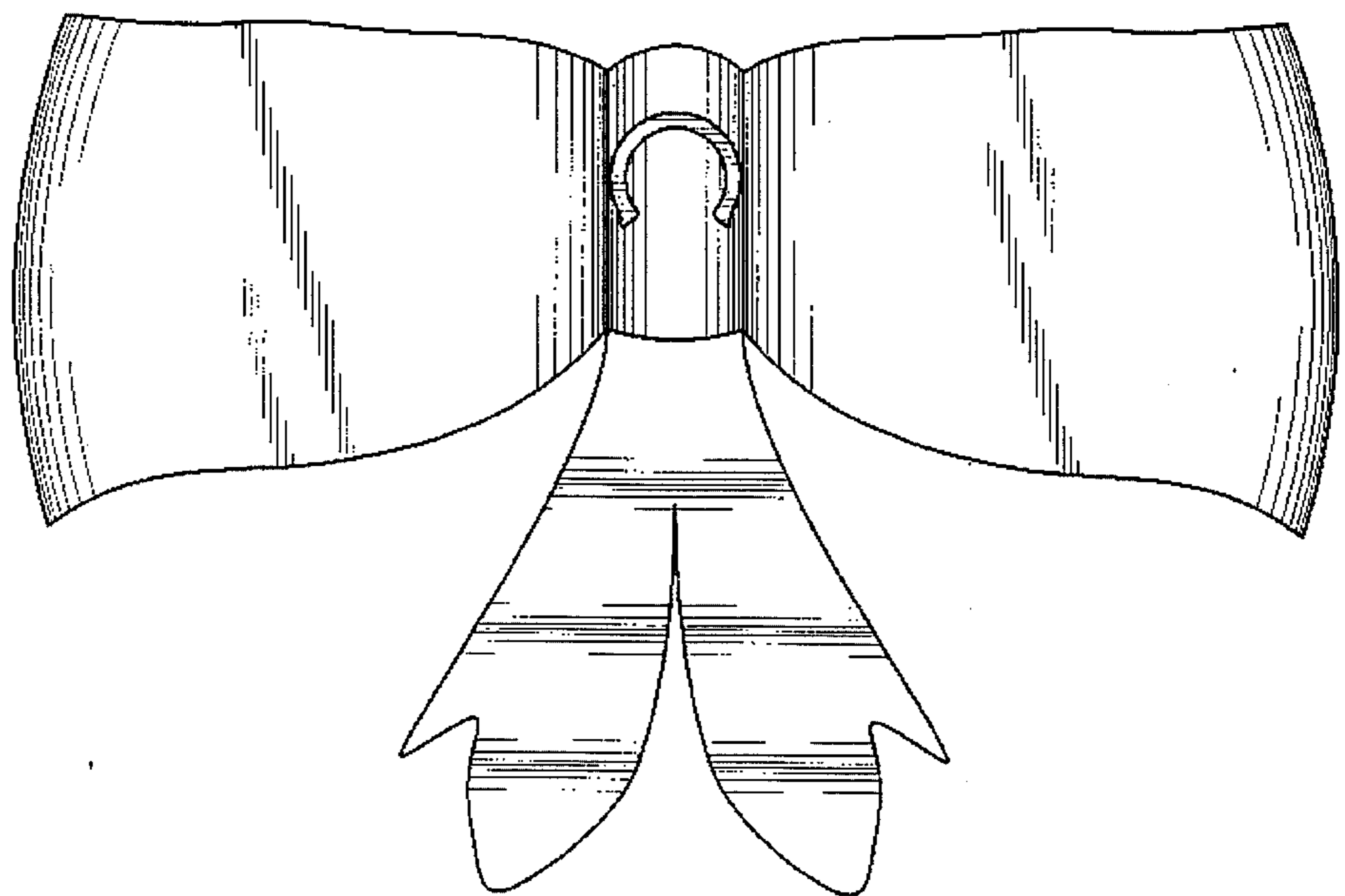


FIG. 3

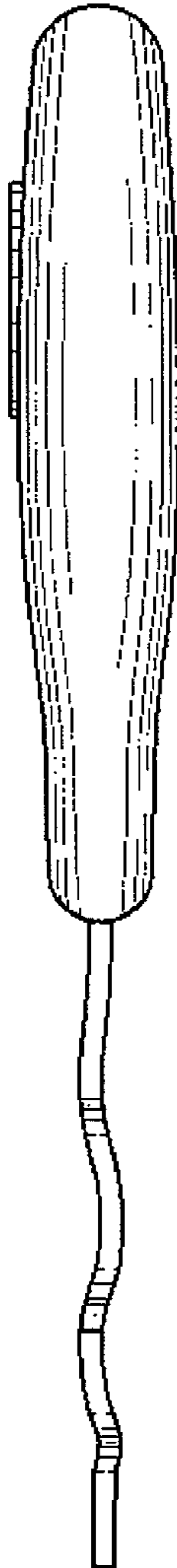


FIG. 4

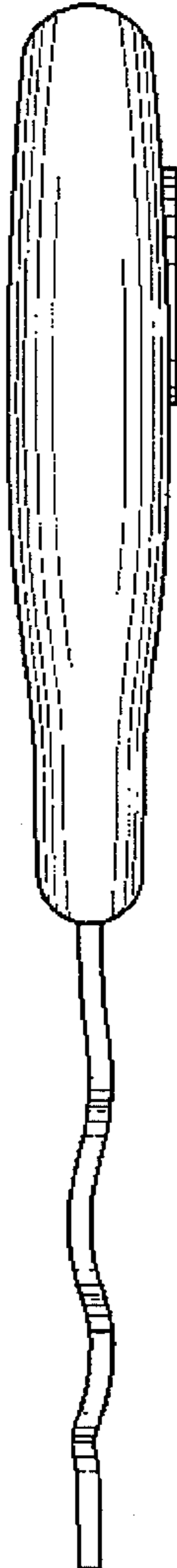


FIG. 5

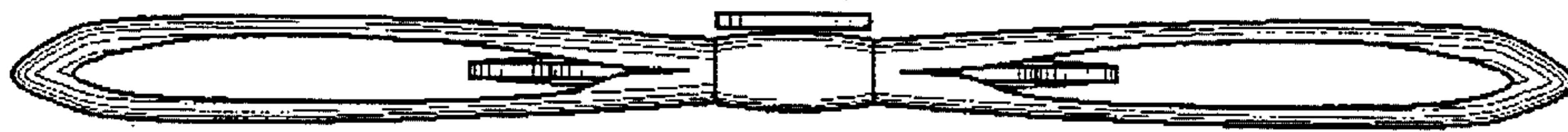


FIG. 6

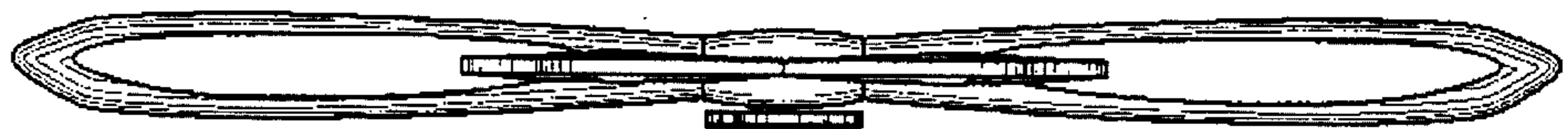


FIG. 7

