



US00D371888S

United States Patent [19]

[11] Patent Number: **Des. 371,888**

Tingler

[45] Date of Patent: ****Jul. 16, 1996**

- [54] **VEHICLE TOPPED MAILBOX**
- [75] Inventor: **Eugene A. Tingler**, Vinton, Va.
- [73] Assignee: **Phillip E. Tingler**, Roanoke, Va.
- [**] Term: **14 Years**

Assistant Examiner—Robert M. Spear
Attorney, Agent, or Firm—Popham, Haik, Schnobrich & Kaufman, Ltd.

- [21] Appl. No.: **28,257**
- [22] Filed: **Sep. 8, 1994**
- [52] U.S. Cl. **D99/30**
- [58] Field of Search D99/29, 30, 42;
232/19, 20, 27, 39

[57] CLAIM

The ornamental design for vehicle topped mailbox, as shown and described.

DESCRIPTION

FIG. 1 is a right side elevation view of a vehicle topped mailbox embodying my new and ornamental design; FIG. 2 is a top plan view thereof; FIG. 3 is a left elevation view thereof; FIG. 4 is a bottom plan view thereof; FIG. 5 is a front elevation view thereof; FIG. 6 is a rear elevation view thereof; and, FIG. 7 is a perspective view disclosing the appearance of the underside of the mailbox.

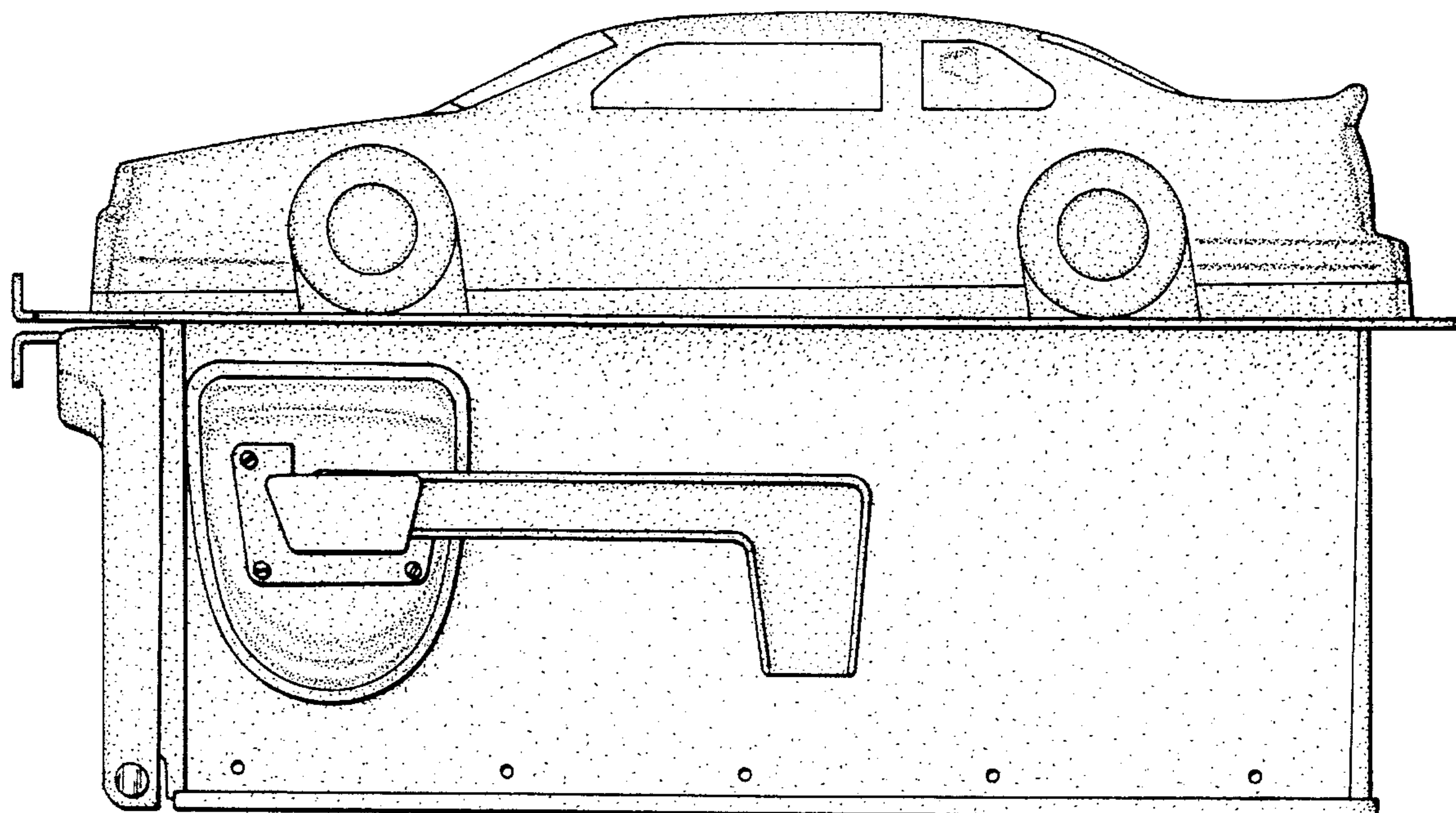
[56] References Cited

U.S. PATENT DOCUMENTS

- D. 346,266 4/1994 Tingler D99/30
- D. 347,927 6/1994 Martin D99/30

Primary Examiner—Alan P. Douglas

1 Claim, 4 Drawing Sheets



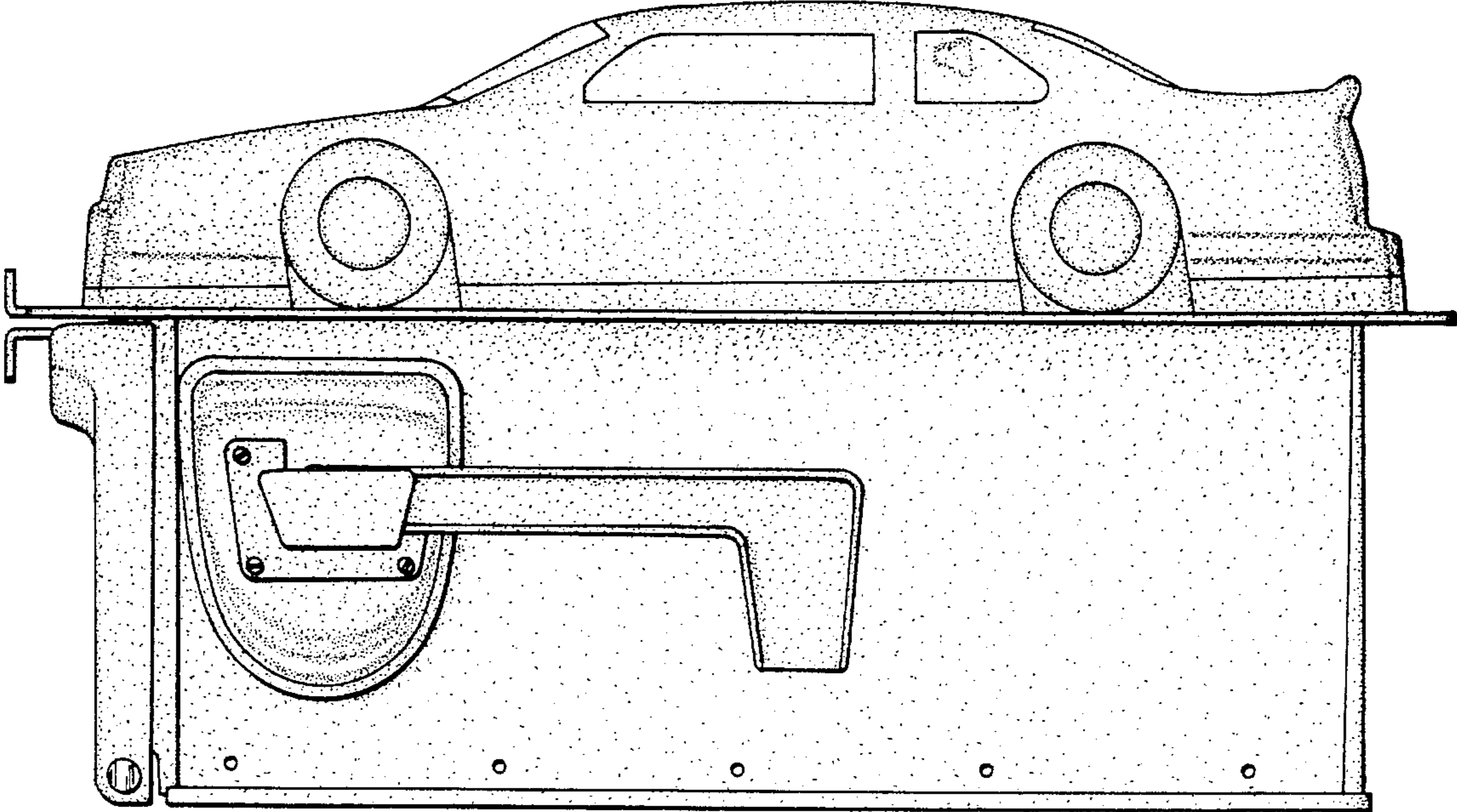


FIG. 1

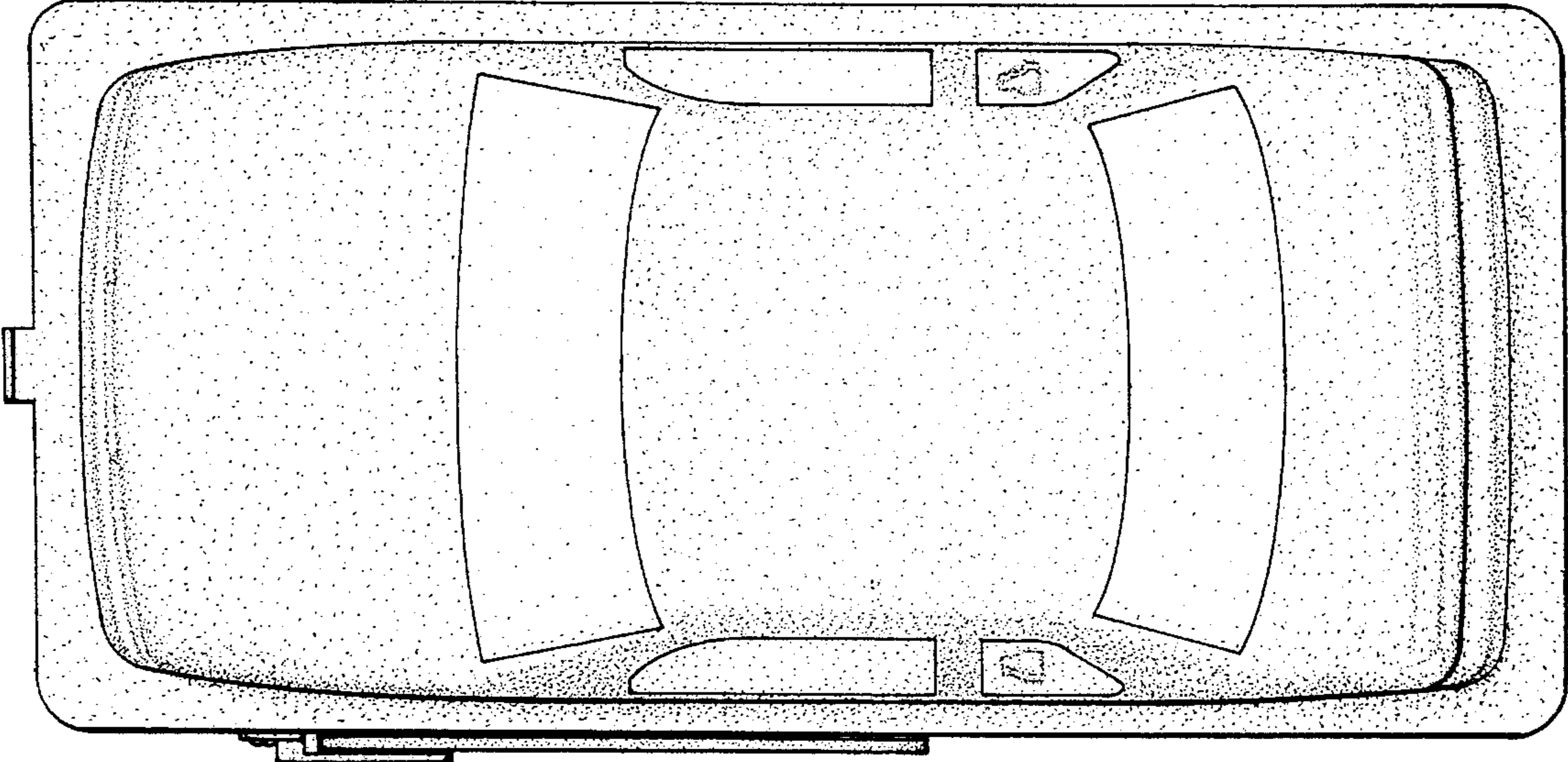


FIG. 2

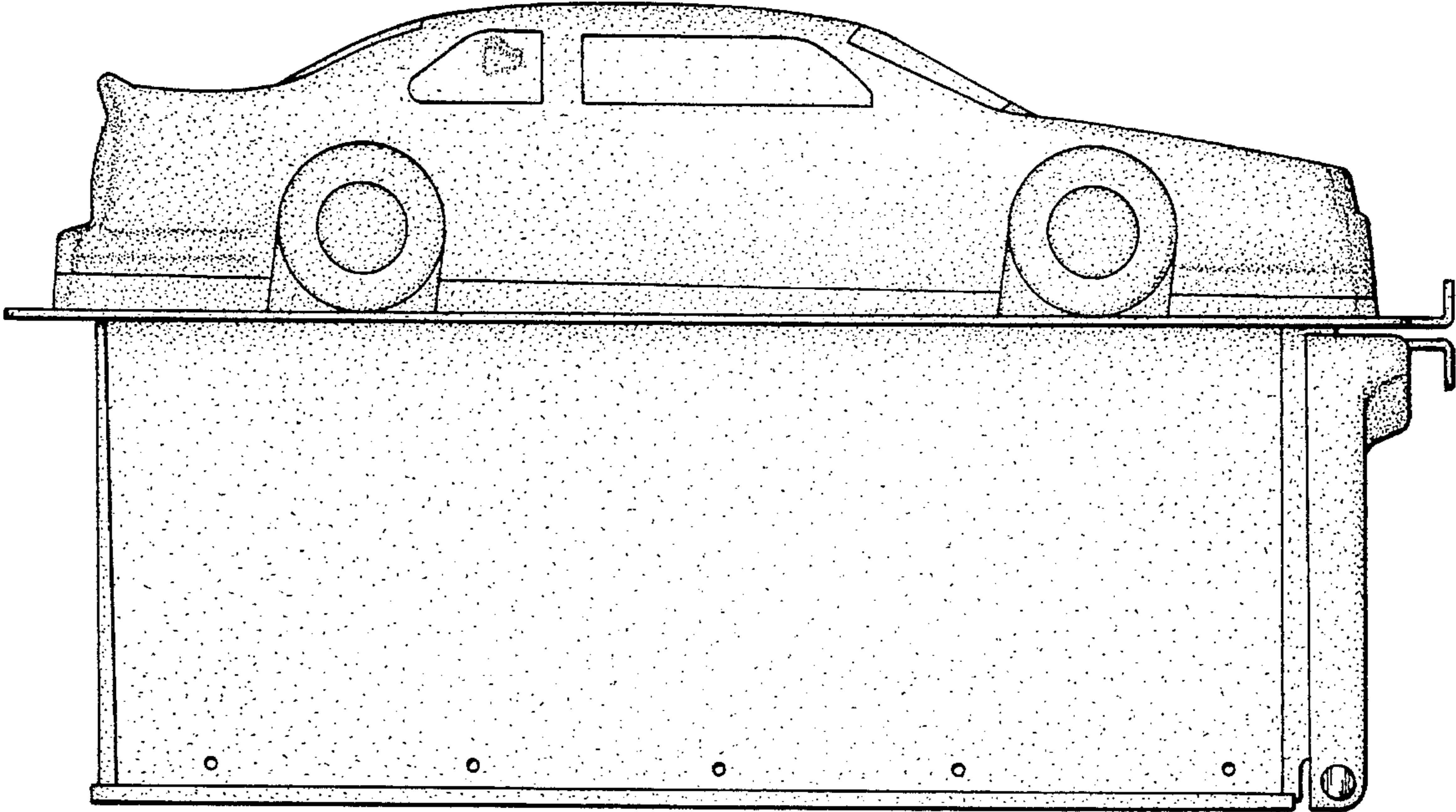


FIG. 3

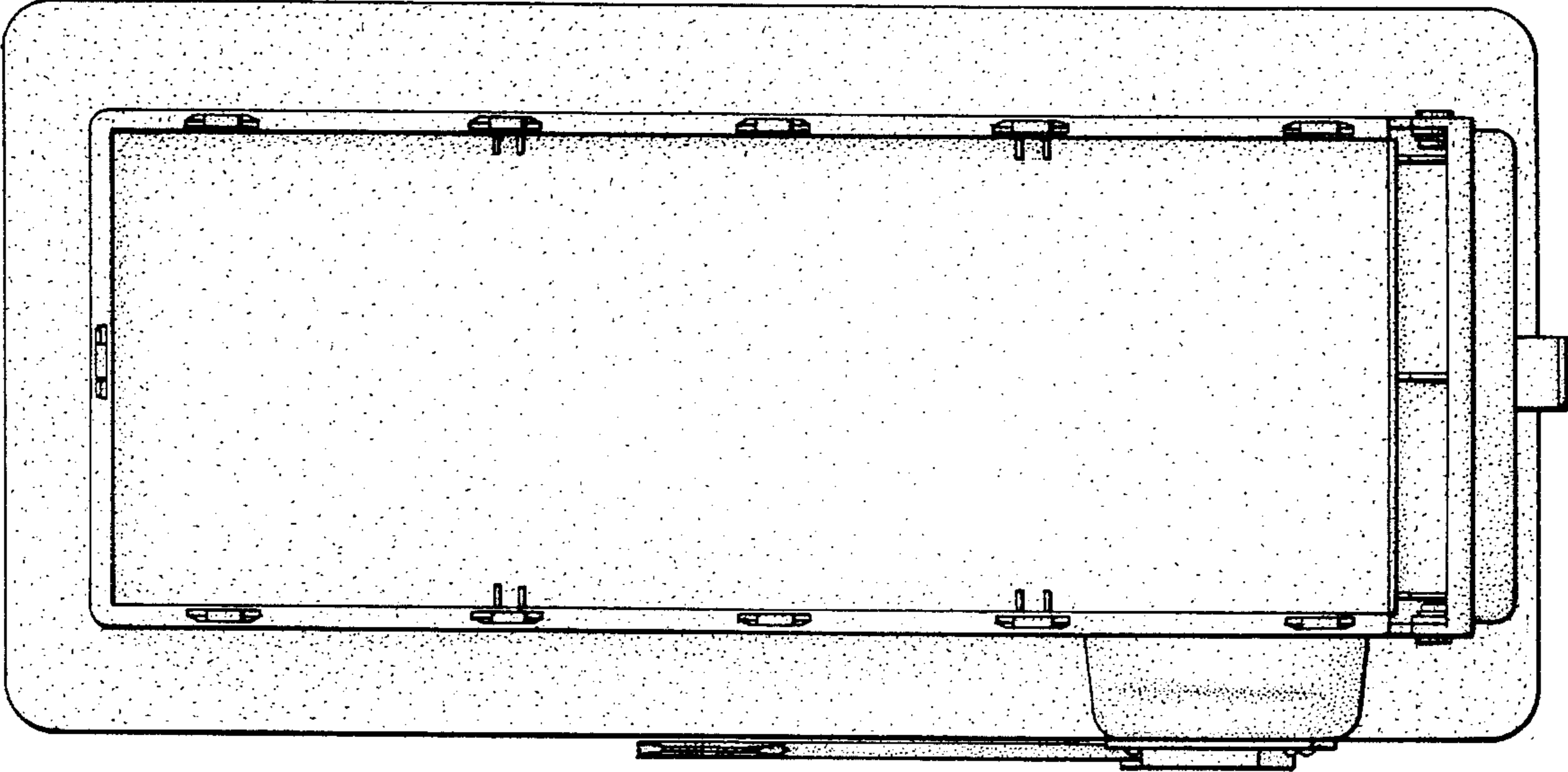


FIG. 4

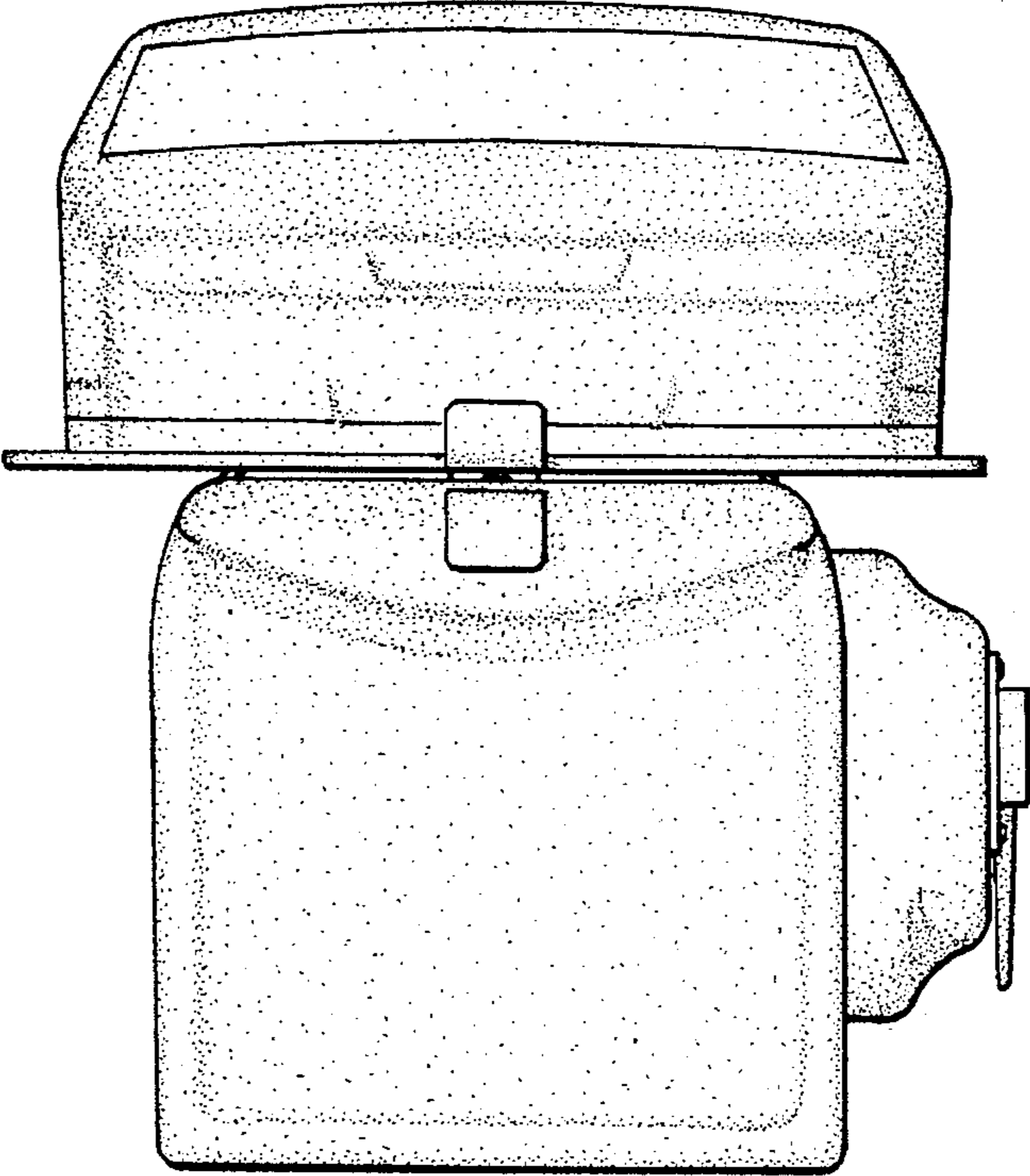


FIG. 5

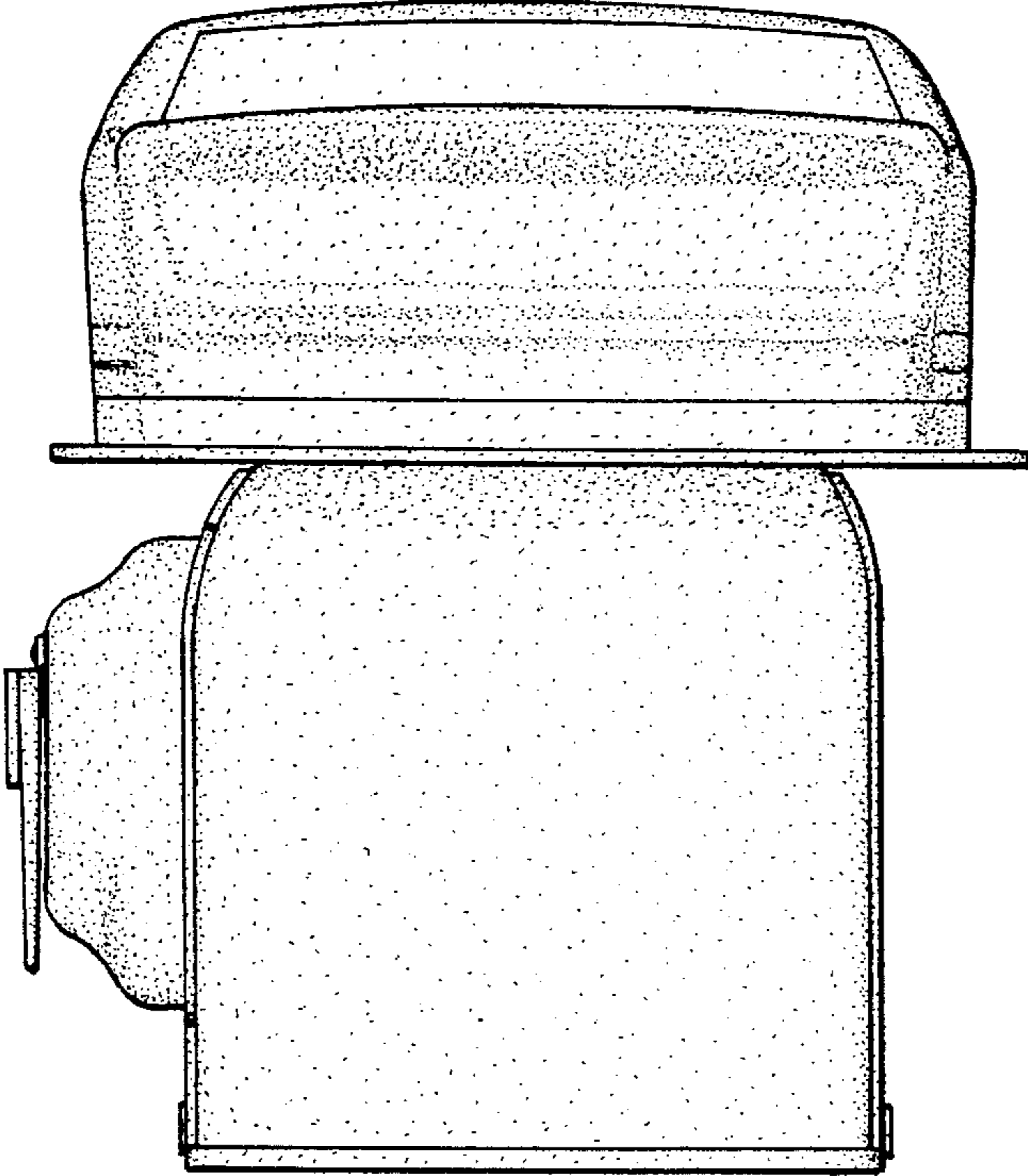


FIG. 6

