



US00D371886S

United States Patent [19]

Nordgren

[11] Patent Number: **Des. 371,886**

[45] Date of Patent: ****Jul. 16, 1996**

[54] **GIVING BOX FOR COLLECTION OF CHARITABLE DONATIONS**

D. 329,933 9/1992 Perkitny D99/35
D. 344,841 3/1994 Rogers et al. .

[76] Inventor: **Brad Nordgren**, 5162 Emerald Dr., Mound, Minn. 55364

Primary Examiner—Martie Thompson
Attorney, Agent, or Firm—Haugen and Nikolai

[**] Term: **14 Years**

[57] **CLAIM**

[21] Appl. No.: **26,546**

The ornamental design for a giving box for collection of charitable donations, as shown and described.

[22] Filed: **Aug. 1, 1994**

DESCRIPTION

[52] U.S. Cl. **D99/34**

[58] Field of Search D99/34, 35, 36;
446/8, 9, 10, 11, 12; 232/4 R, 4 D; 206/0.8,
0.81, 0.82, 0.83, 0.84

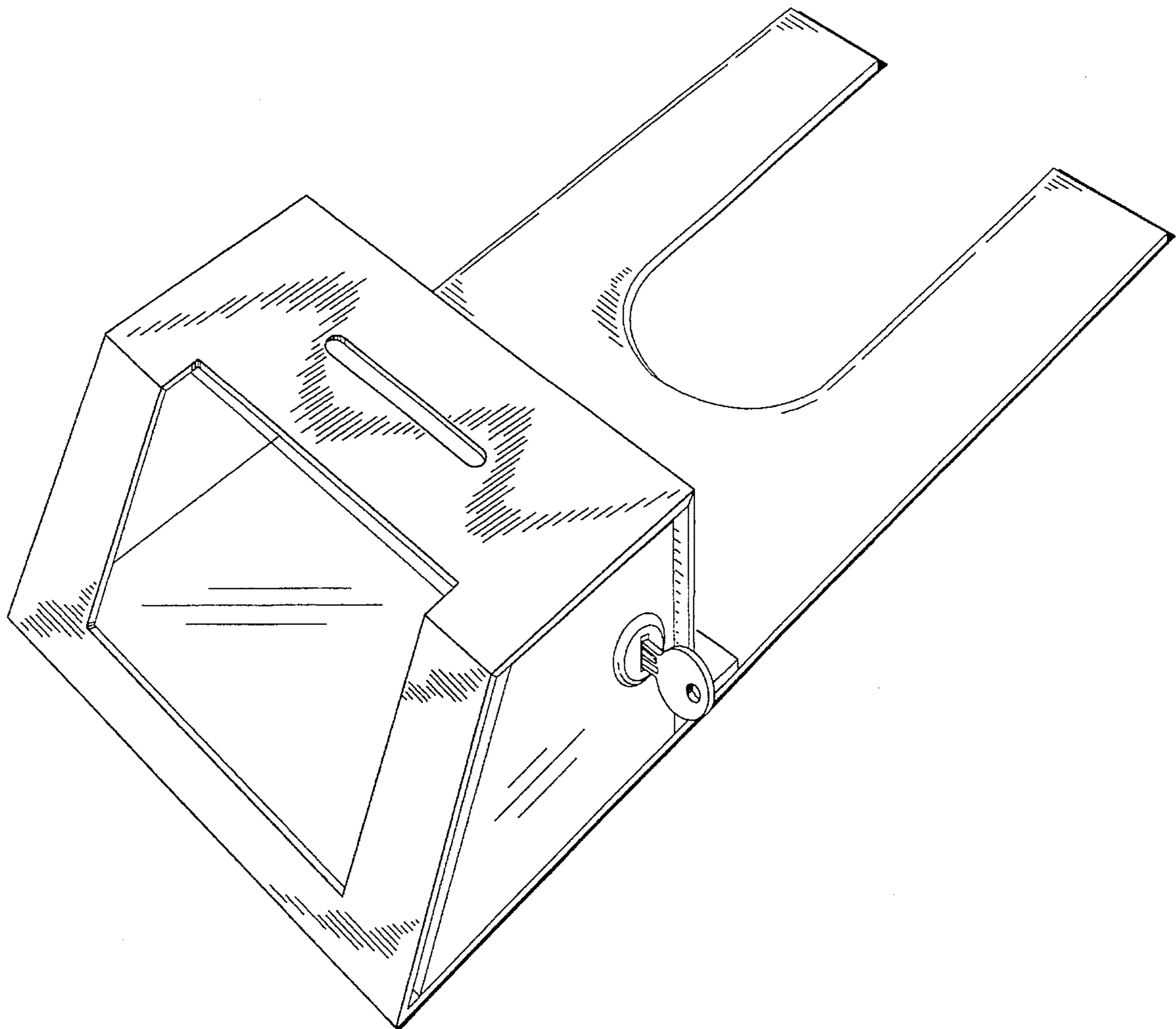
FIG. 1 is a perspective view of a giving box for collection of charitable donations showing my new design;
FIG. 2 is a front elevational view thereof;
FIG. 3 is a rear elevational view thereof;
FIG. 4 is a top plan view thereof;
FIG. 5 is a bottom plan view thereof;
FIG. 6 is a left side elevational view thereof; and,
FIG. 7 is a right side elevational view thereof.

[56] **References Cited**

U.S. PATENT DOCUMENTS

D. 248,692 7/1978 Kovar D99/34
D. 262,749 1/1982 Taivalvu D99/35
D. 288,379 2/1987 Kuhlmann D99/35

1 Claim, 6 Drawing Sheets



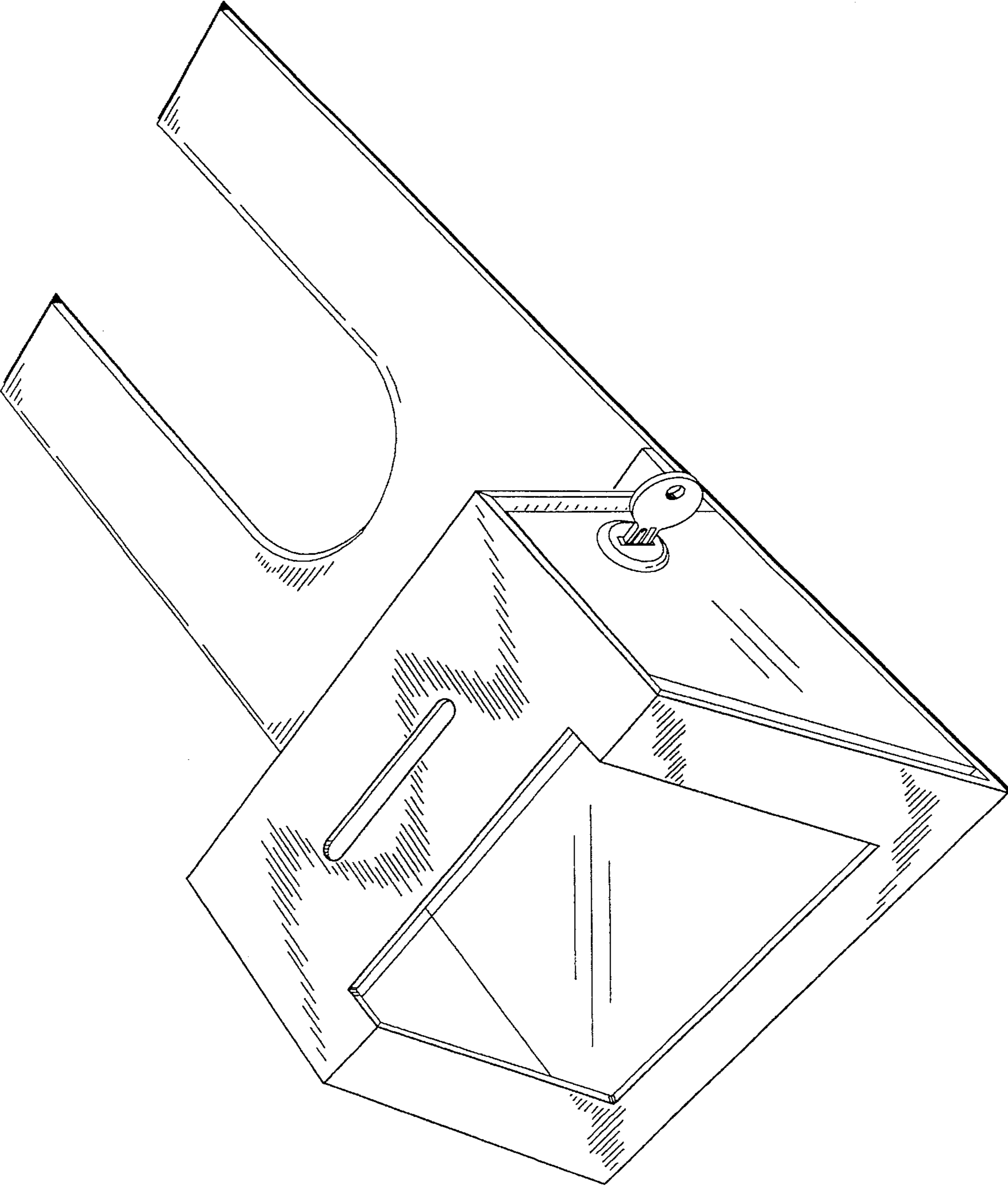


Fig. 1

Fig.2

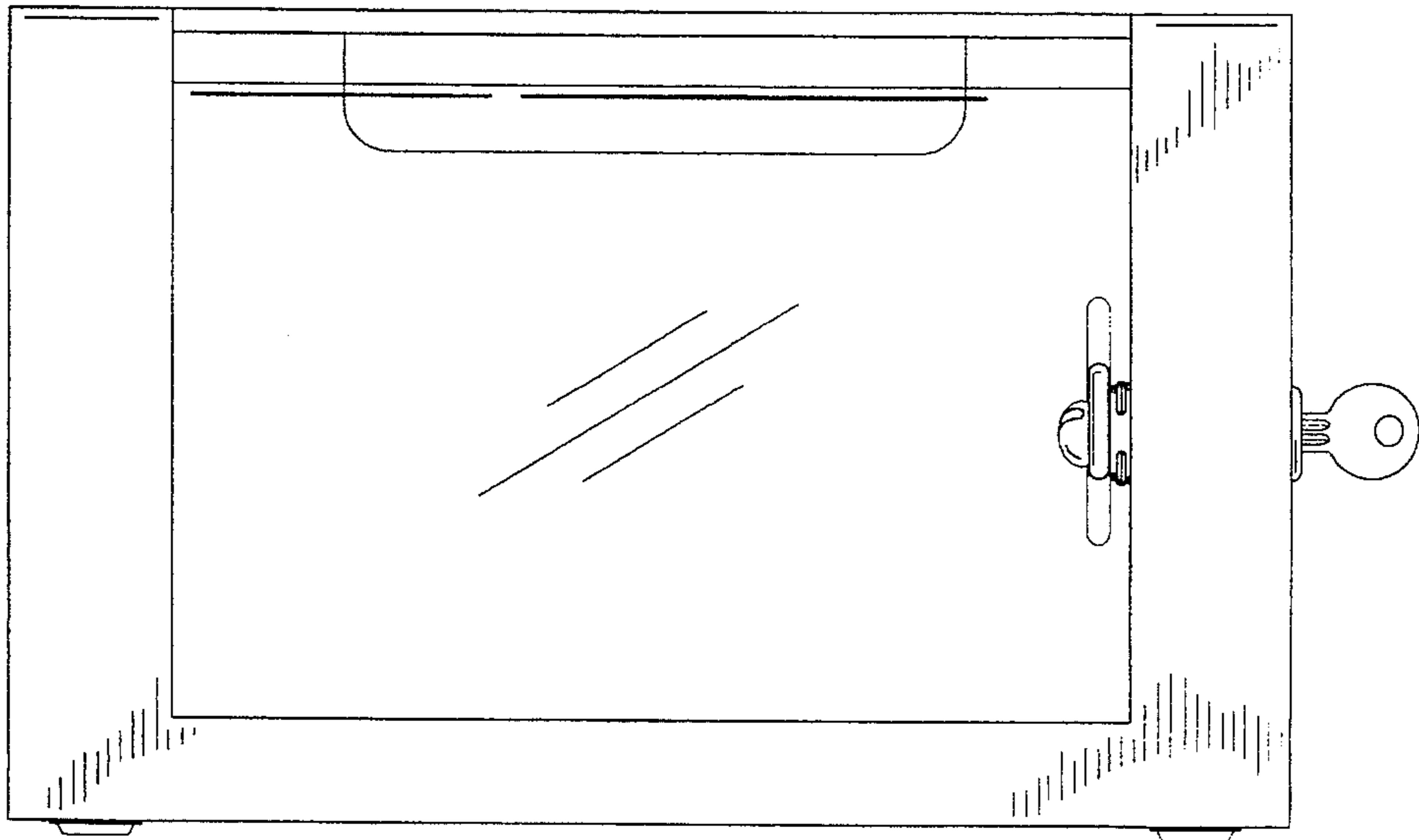


Fig.3

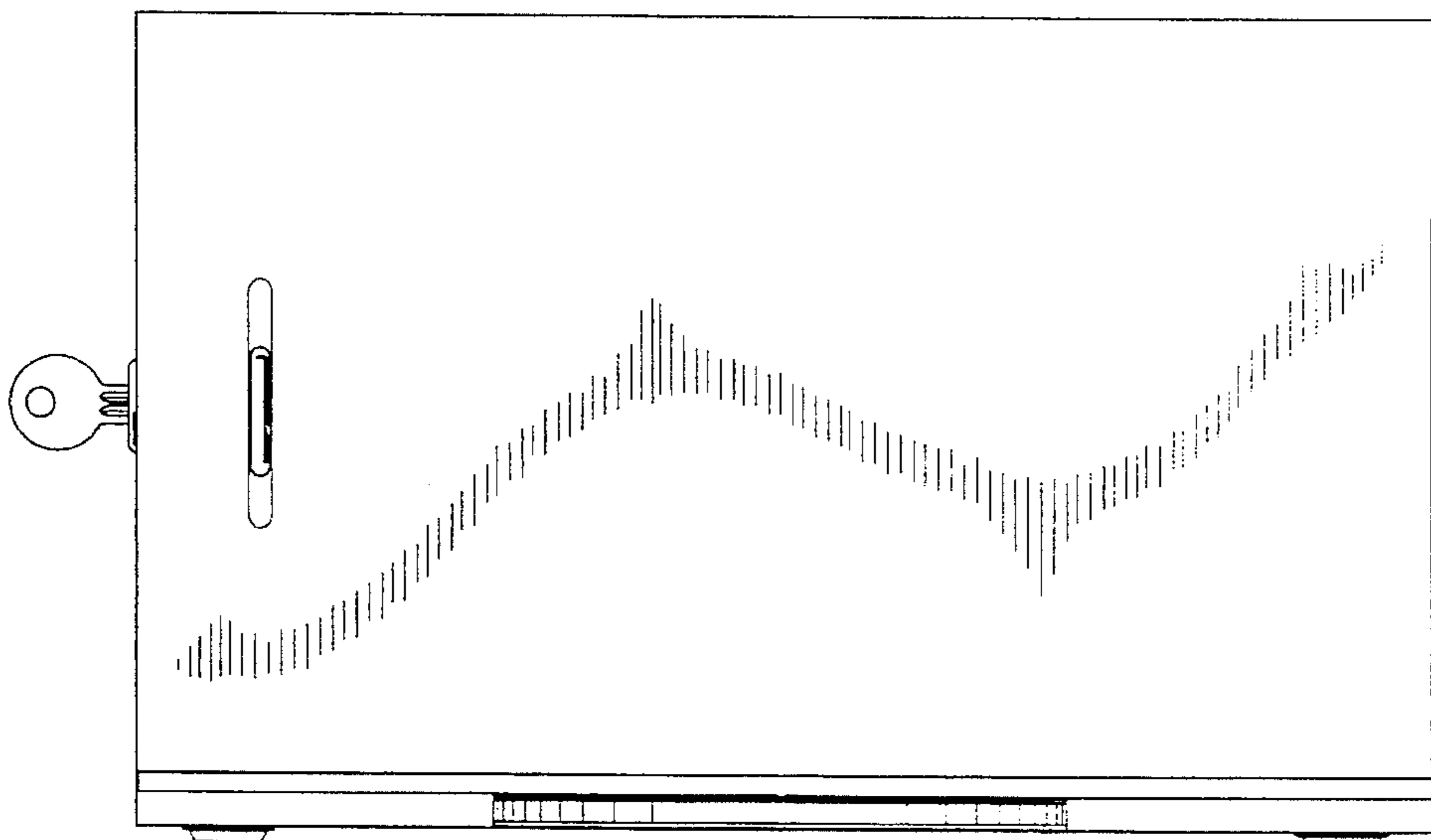


Fig.4

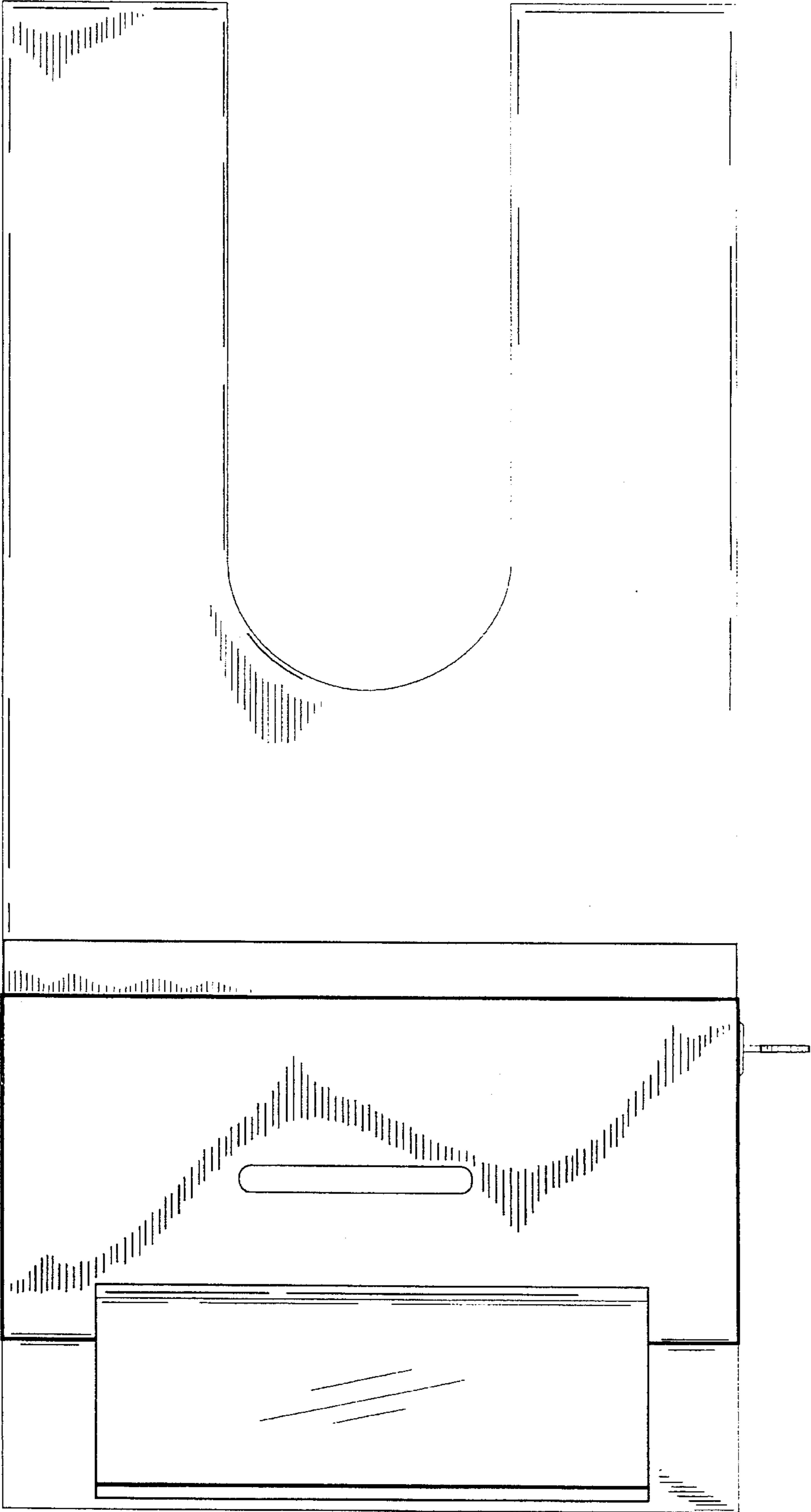


Fig. 5

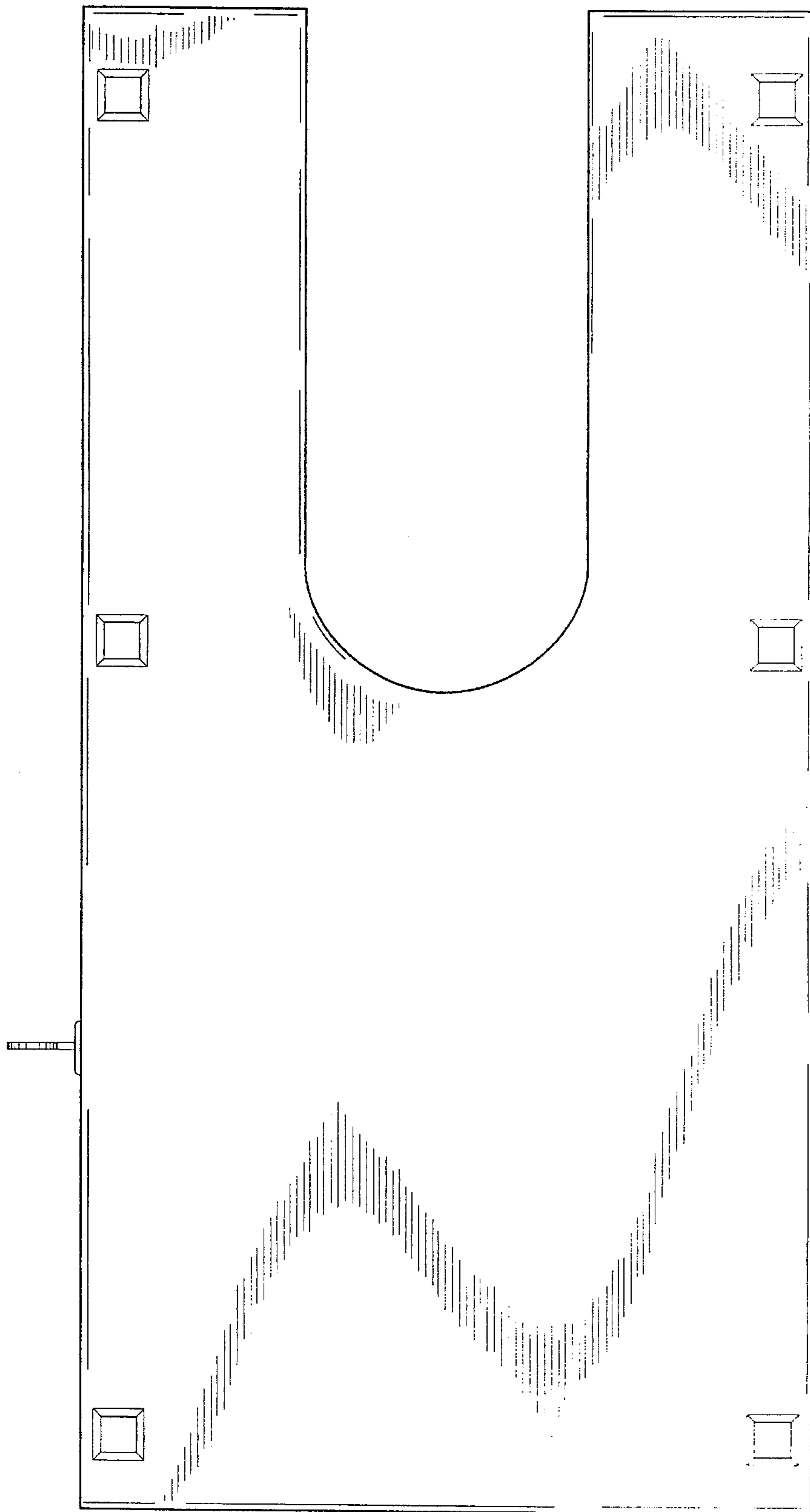
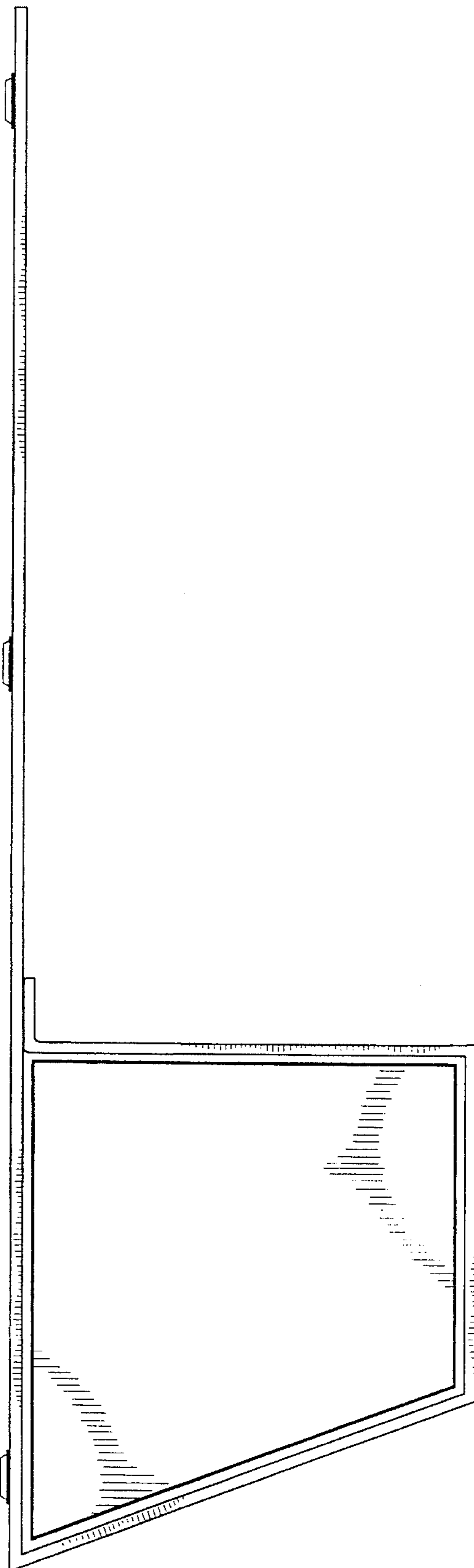


Fig. 6



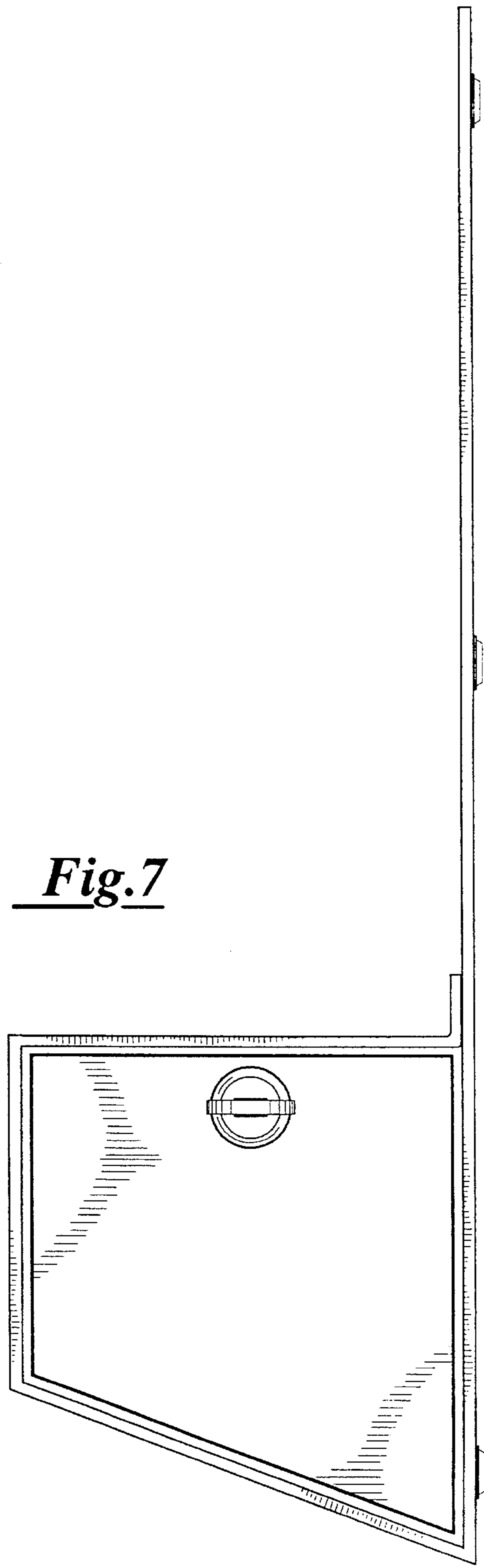


Fig. 7