



US00D371884S

United States Patent [19]

[11] Patent Number: **Des. 371,884**

Esgro

[45] Date of Patent: ****Jul. 16, 1996**

[54] **TELESCOPIC MAIL BOX**

[76] Inventor: **Peter W. Esgro**, 12005 Rose Dr., Clark Summit, Pa. 18411

[**] Term: **14 Years**

[21] Appl. No.: **29,210**

[22] Filed: **Sep. 30, 1994**

[52] U.S. Cl. **D99/29**

[58] Field of Search D99/29, 30, 42;
232/19, 2, 27, 39

[56] **References Cited**

U.S. PATENT DOCUMENTS

4,060,900	10/1991	Kokoruda et al.	232/39
4,950,202	8/1990	Florio	D99/29
5,307,598	5/1994	West	232/39
5,356,072	10/1994	Thomas	232/39
5,386,938	2/1995	West	232/39

Primary Examiner—Martie Thompson
Assistant Examiner—Robert M. Spear
Attorney, Agent, or Firm—Harold H. Dutton, Jr.; W. Charles L. Jamison; Diane F. Liebman

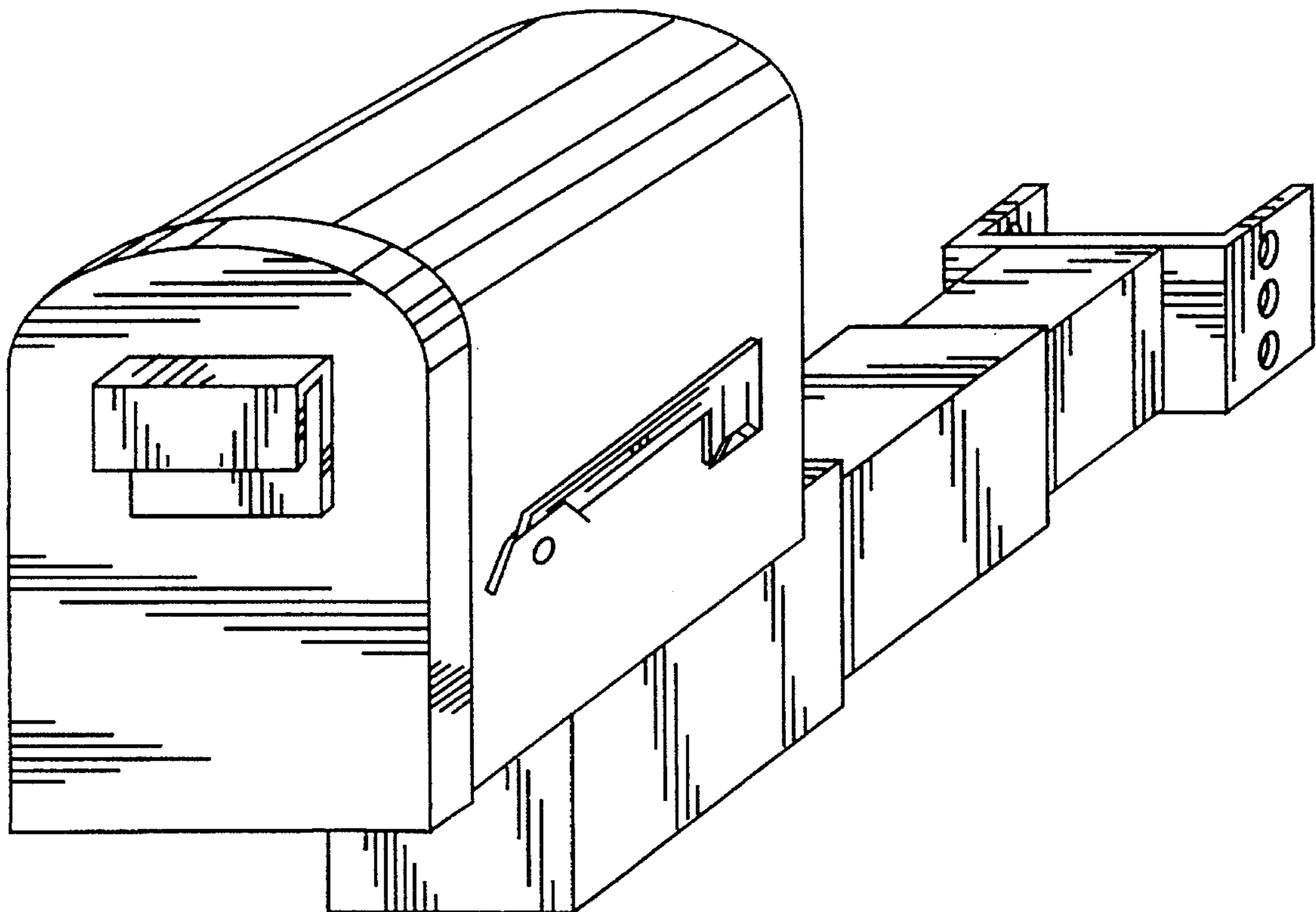
[57] **CLAIM**

The ornamental design for a telescopic mail box, as shown and described.

DESCRIPTION

FIG. 1 is a perspective view of a telescopic mail box showing my new design;
FIG. 2 is a right side elevational view thereof;
FIG. 3 is a right side elevational view thereof in a retracted state;
FIG. 4 is a left side elevational view thereof;
FIG. 5 is a left side elevational view thereof in a retracted state;
FIG. 6 is a top plan view thereof;
FIG. 7 is a top plan view thereof in a retracted state;
FIG. 8 is a bottom view thereof;
FIG. 9 is a front view thereof; and,
FIG. 10 is a rear view thereof.
The broken line showing of a mailbox mounting post is for illustrative purposes only and forms no part of the claimed design.

1 Claim, 5 Drawing Sheets



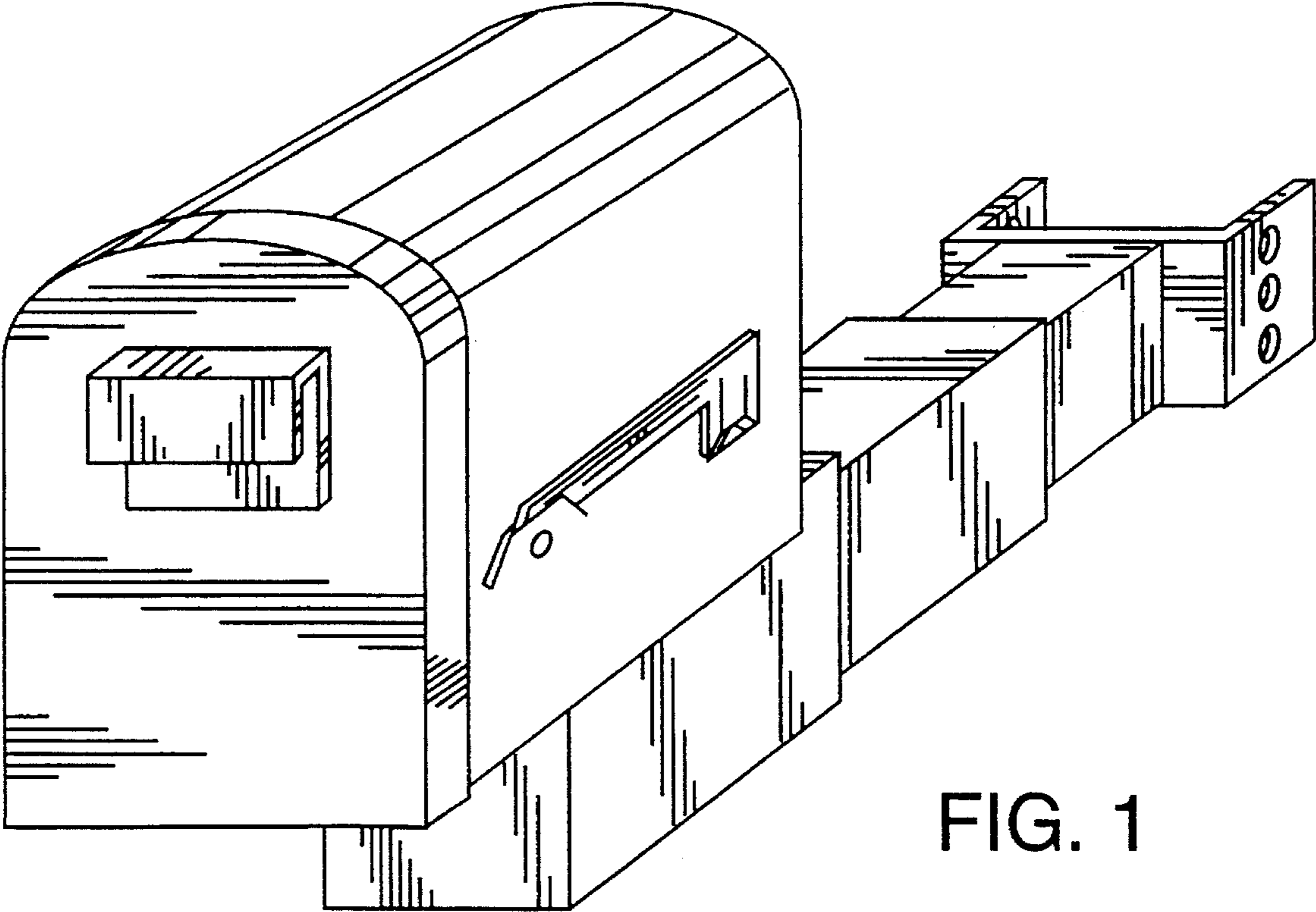


FIG. 1

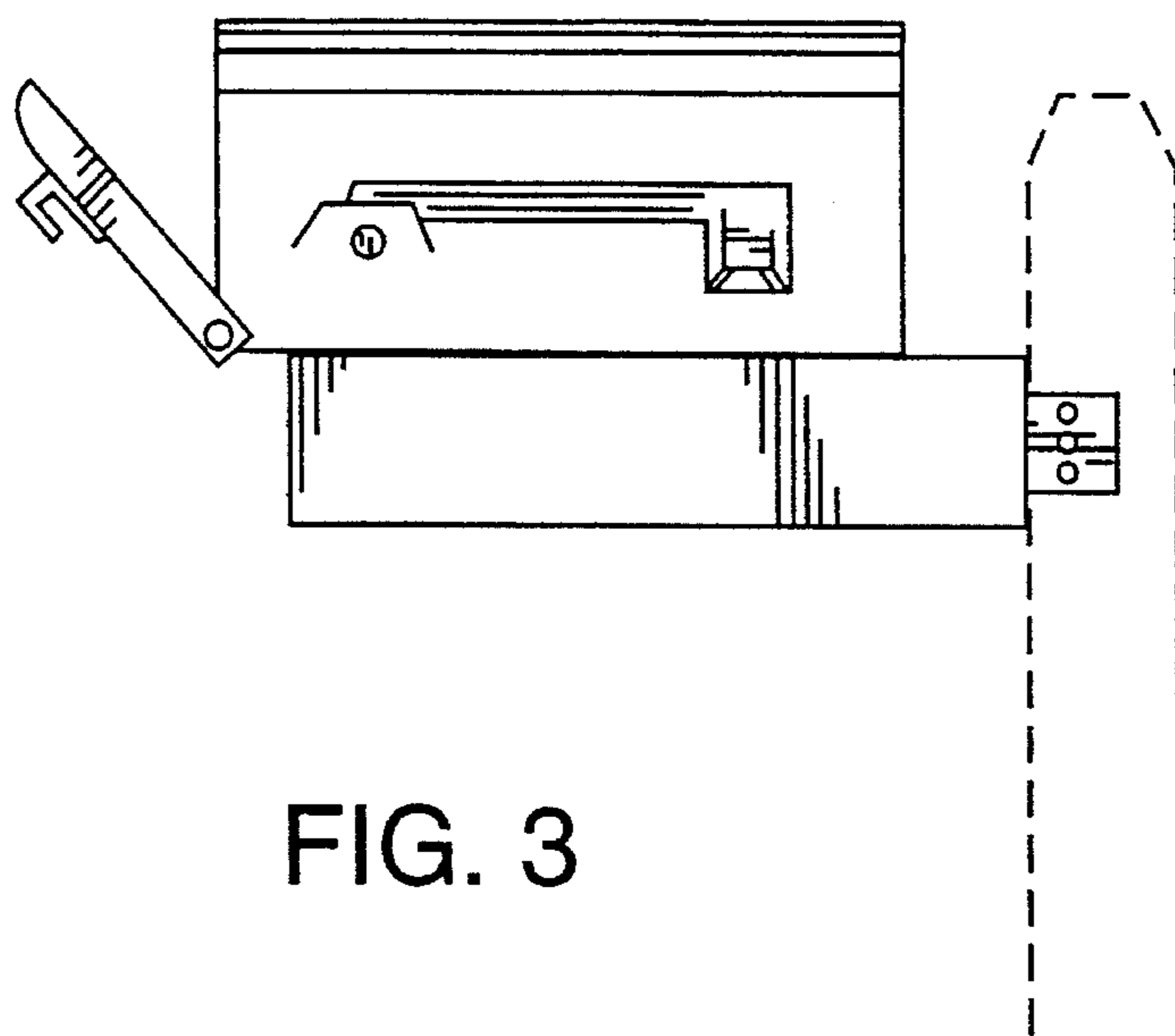
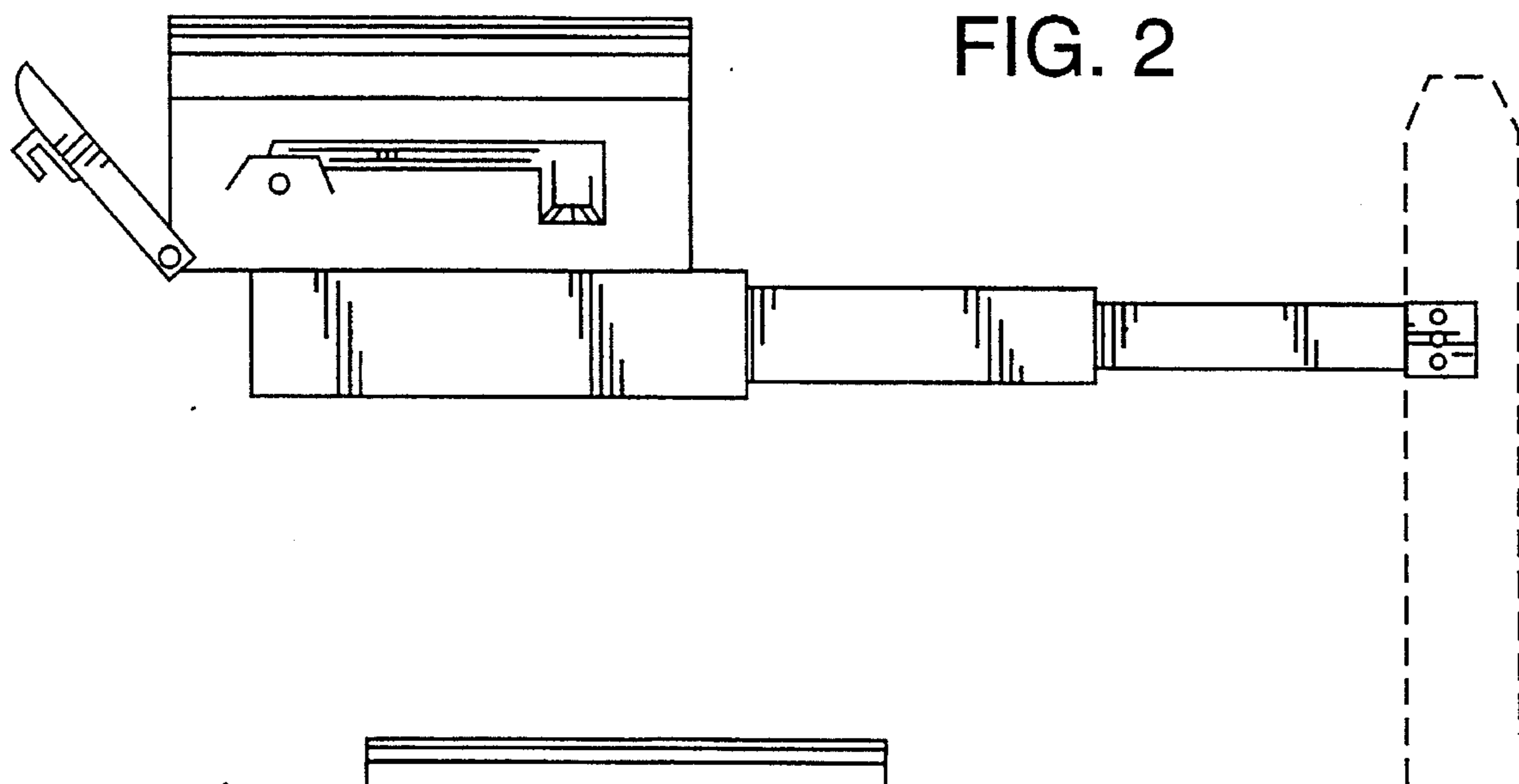


FIG. 4

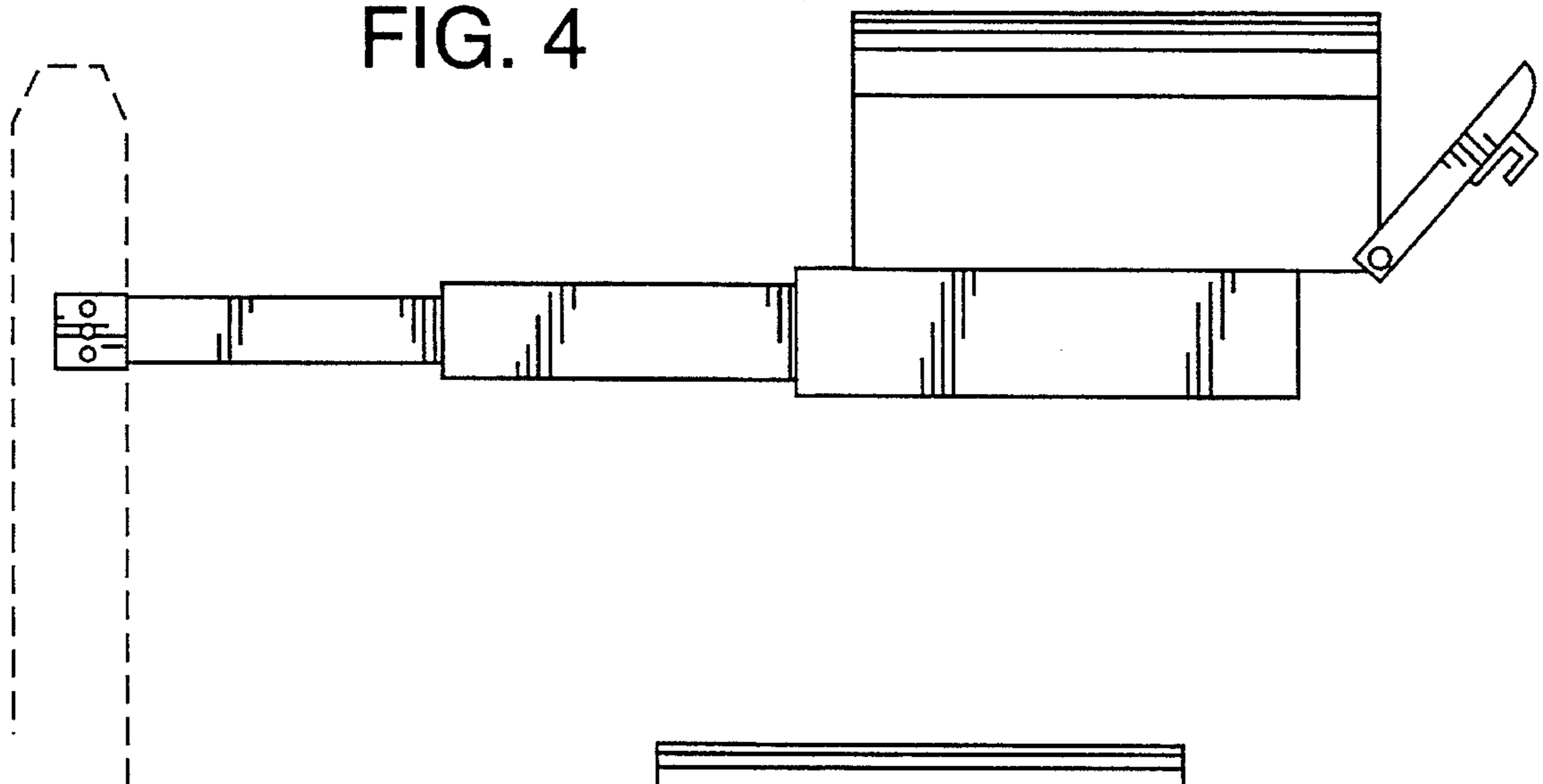


FIG. 5

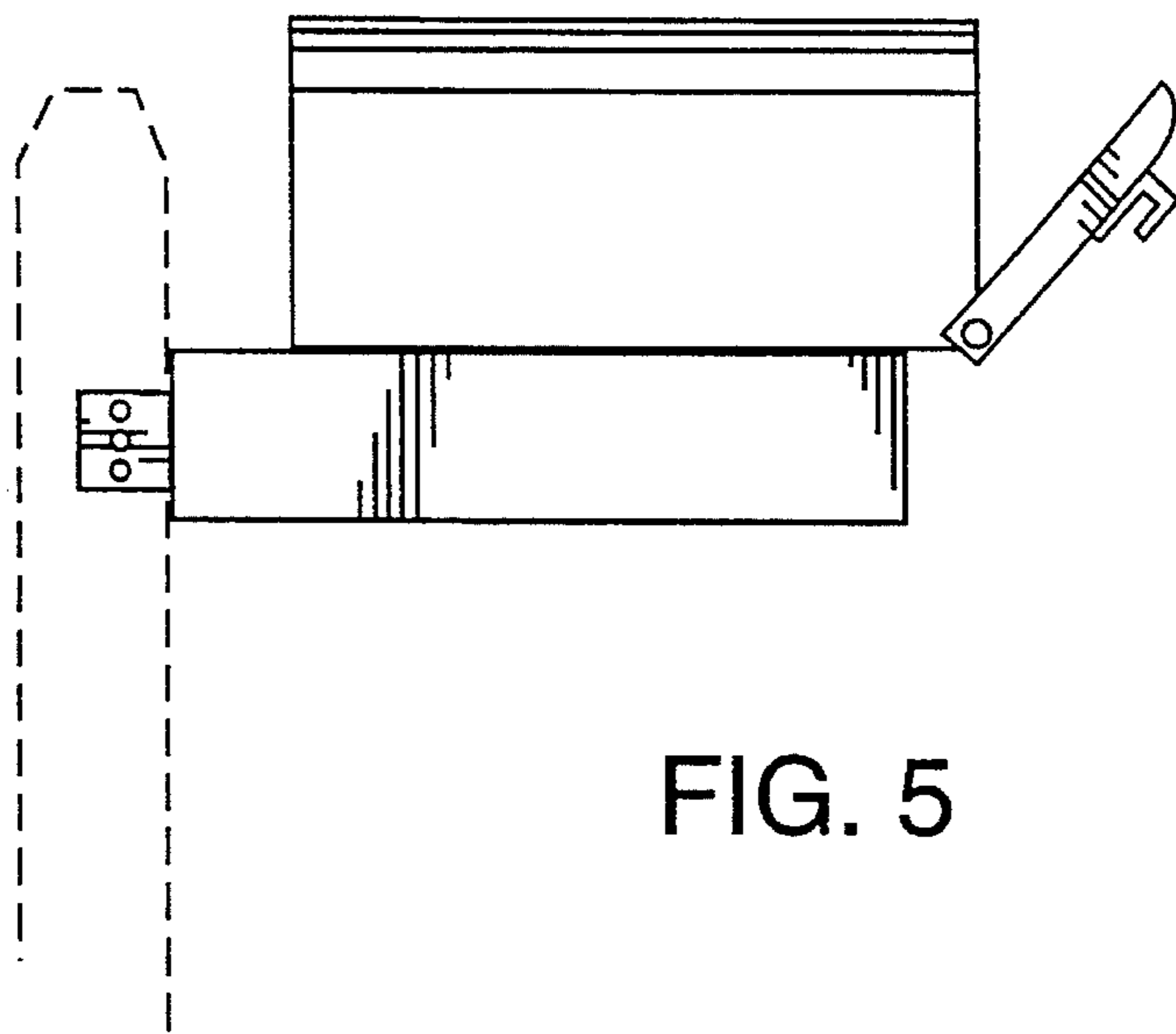


FIG. 6

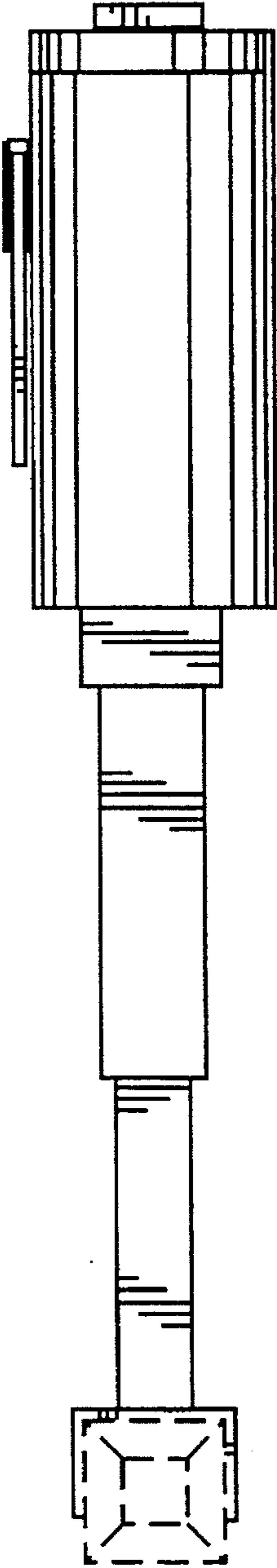


FIG. 7

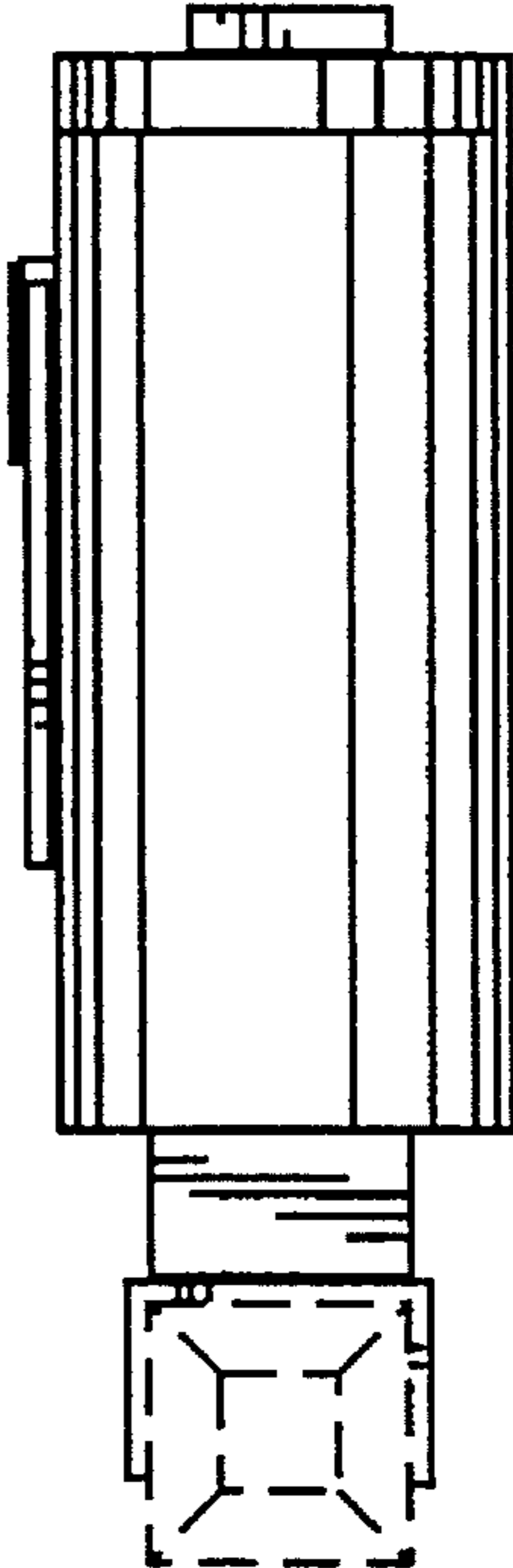


FIG. 8

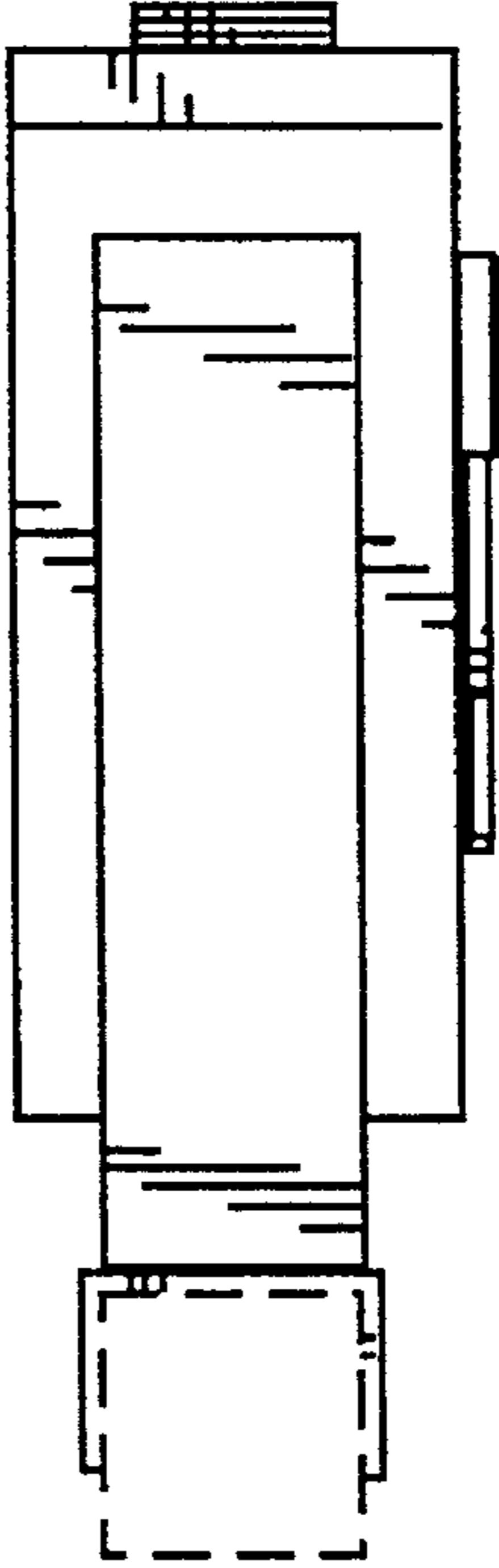


FIG. 10

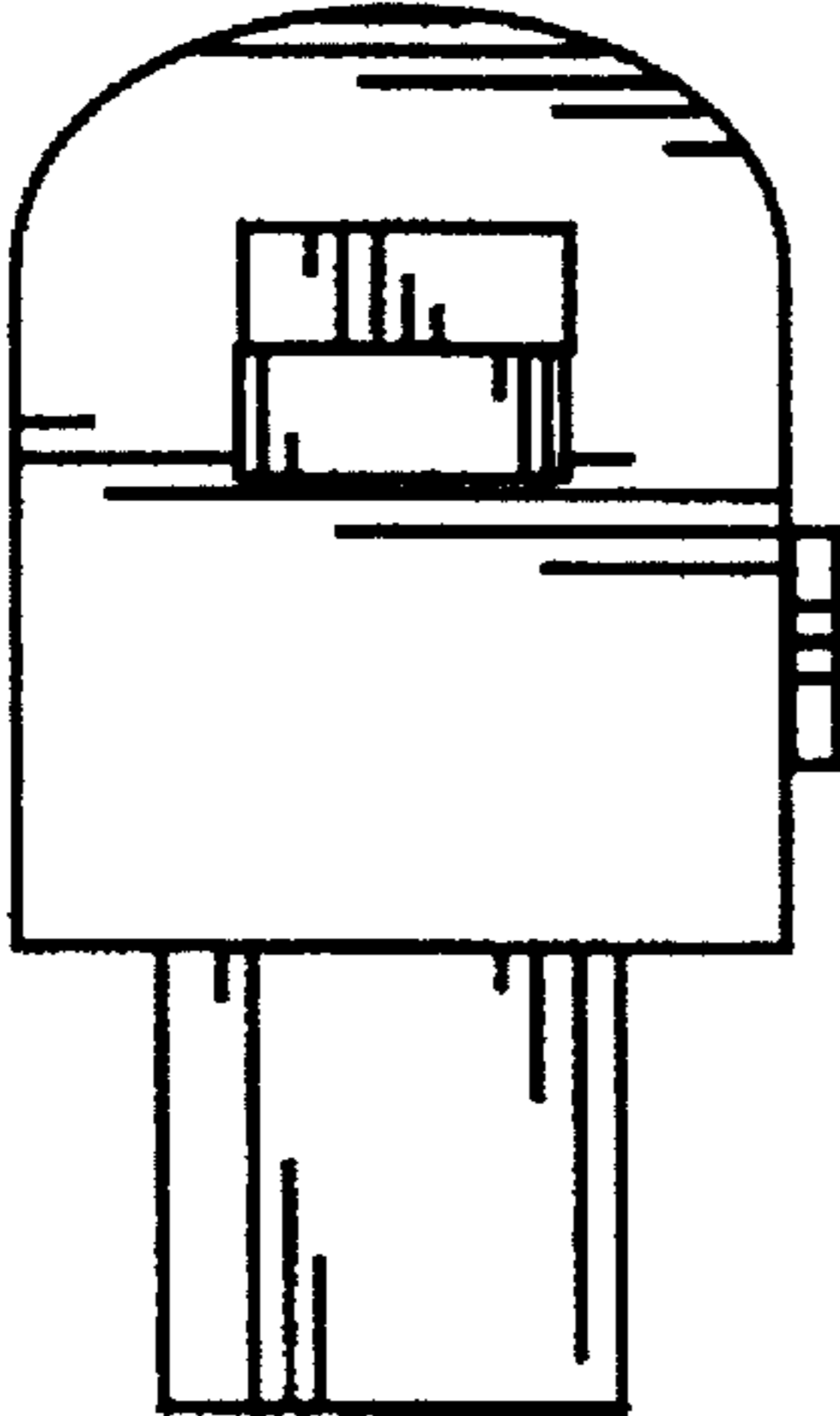


FIG. 9

