



US00D371882S

# United States Patent [19]

[11] Patent Number: **Des. 371,882**

**Kristoffersson**

[45] Date of Patent: **\*\*Jul. 16, 1996**

[54] **PALLET**

3,795,206	3/1974	Utz .....	108/51.1
4,597,338	7/1986	Kreeger .....	108/57.1
5,343,814	9/1994	Pigott et al. ....	108/51.7

[75] Inventor: **Karl-Gustaf Kristoffersson**,  
Örkelljunga, Sweden

*Primary Examiner*—James M. Gandy  
*Assistant Examiner*—Robin V. Taylor  
*Attorney, Agent, or Firm*—Watson Cole Stevens Davis

[73] Assignee: **Perstorp AB**, Perstorp, Sweden

[\*\*] Term: **14 Years**

[57] **CLAIM**

[21] Appl. No.: **40,643**

The ornamental design for a pallet, as shown and described.

[22] Filed: **Jun. 14, 1995**

**DESCRIPTION**

[30] **Foreign Application Priority Data**

FIG. 1 is a perspective view of my new design for a pallet showing the upper surface thereof;

Dec. 15, 1994 [SE] Sweden ..... 942544

FIG. 2 is a perspective view similar to FIG. 1 showing the under side thereof;

[52] U.S. Cl. .... **D34/38**

FIG. 3 is a side elevational view thereof, the other side being a mirror image;

[58] Field of Search ..... D34/38; 108/51.1,  
108/53.1, 53.3, 55.3, 57.1, 901

FIG. 4 is a top plan view;

[56] **References Cited**

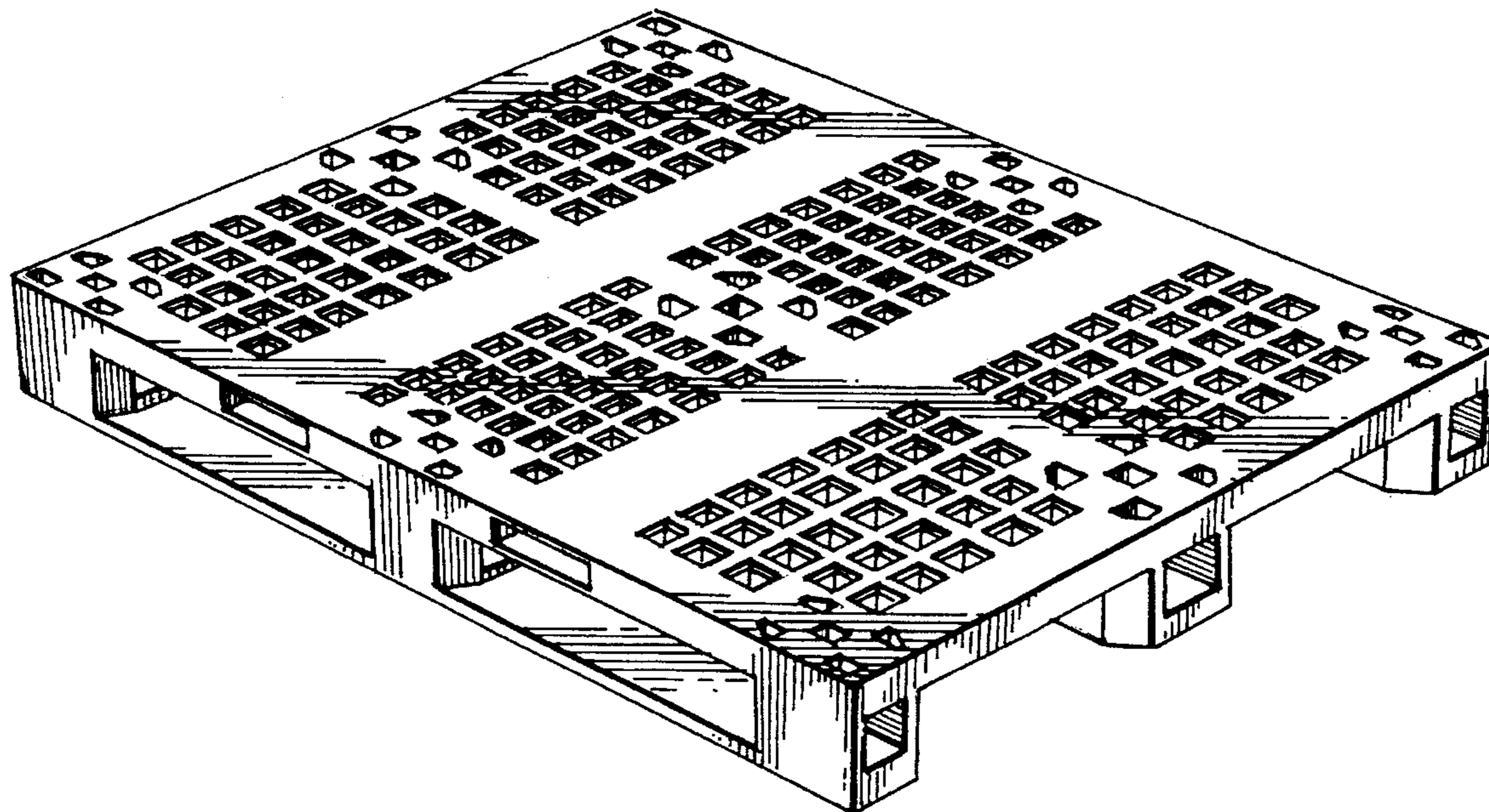
FIG. 5 is a bottom plan view; and,

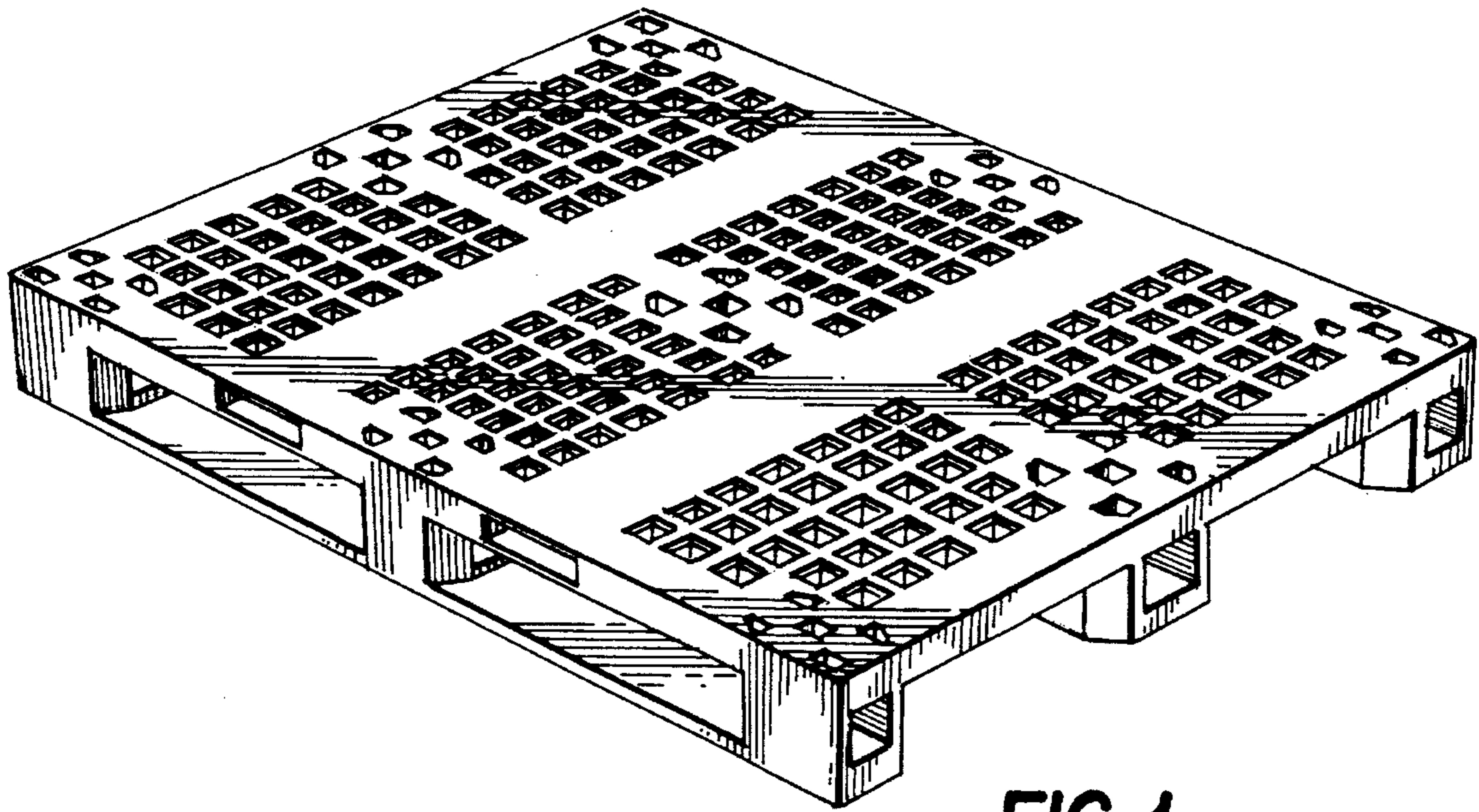
**U.S. PATENT DOCUMENTS**

FIG. 6 is an end elevational view thereof, the other end being a mirror image.

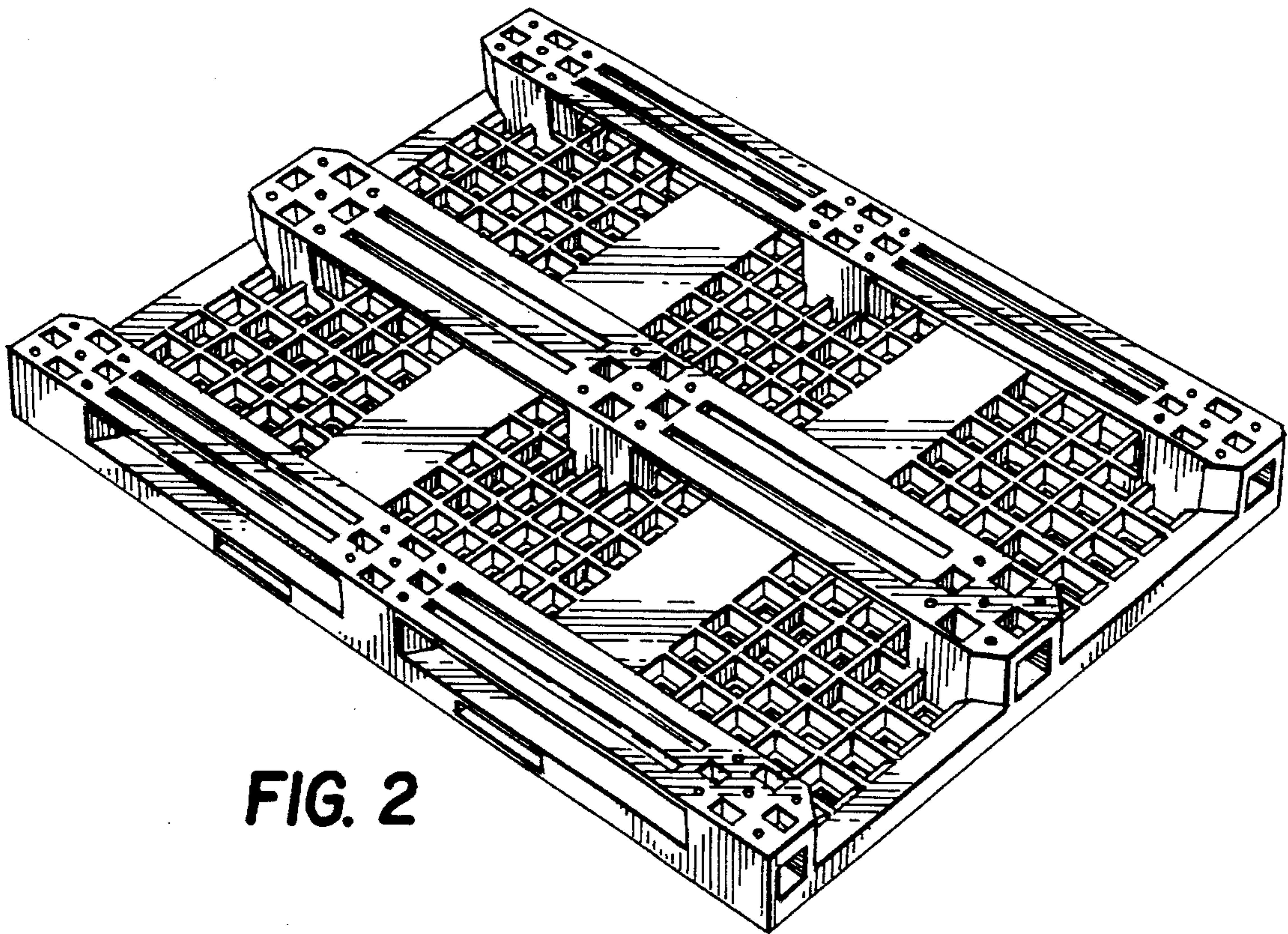
D. 258,948	4/1981	Stump .....	D34/38
3,750,596	8/1973	Box .....	108/53.1

**1 Claim, 4 Drawing Sheets**

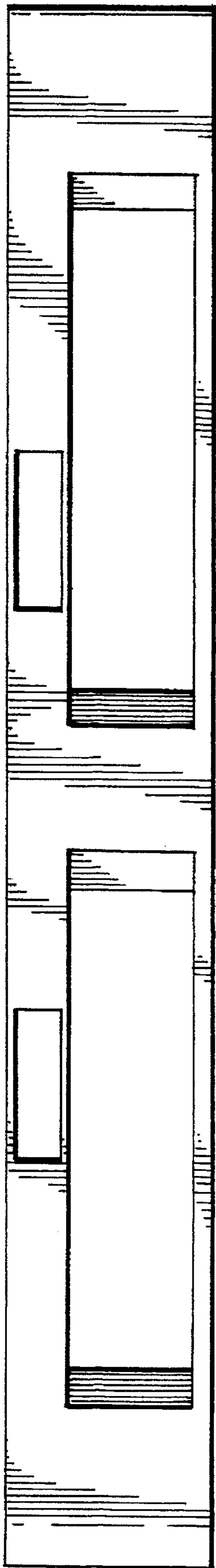




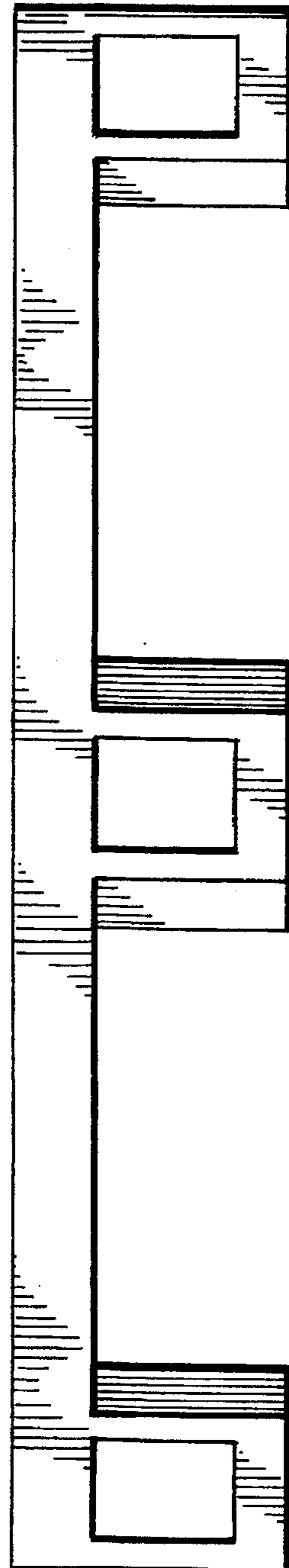
**FIG. 1**



**FIG. 2**



**FIG. 3**



**FIG. 6**

FIG. 4

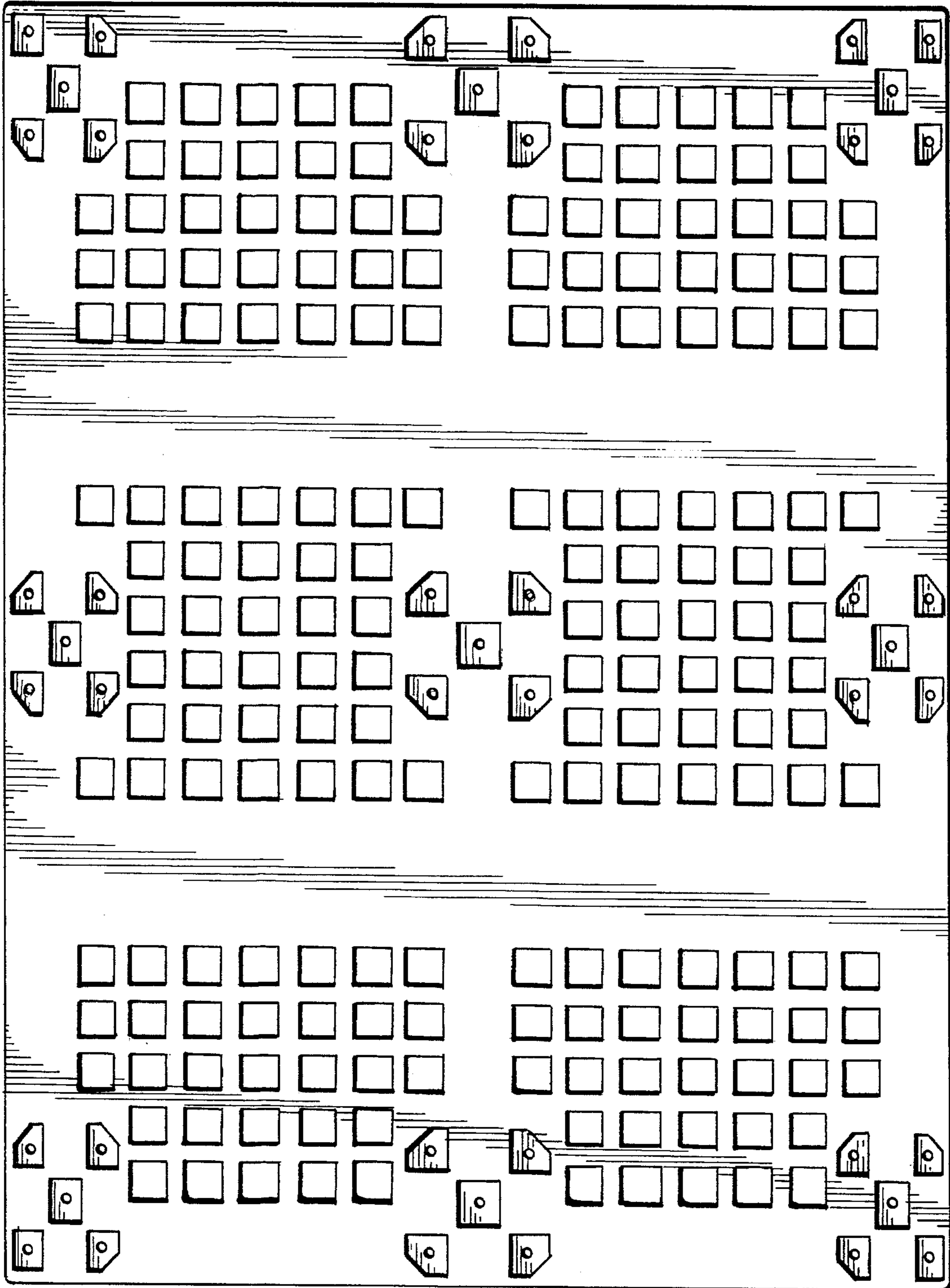


FIG. 5

