



US00D371881S

United States Patent [19]

Provot

[11] Patent Number: **Des. 371,881**

[45] Date of Patent: ****Jul. 16, 1996**

[54] **PALLET**

[75] Inventor: **Jean M. Provot**, Saint Avold, France

[73] Assignee: **Perstorp AB**, Perstorp, Sweden

[**] Term: **14 Years**

[21] Appl. No.: **34,633**

[22] Filed: **Feb. 9, 1995**

[30] Foreign Application Priority Data

Aug. 9, 1994 [SE] Sweden 941637

[52] U.S. Cl. **D34/38**

[58] Field of Search D34/38; 248/346;
108/51.1, 52.1, 53.1, 53.3, 54.1, 55.3, 56.1,
57.1, 901, 902

[56] References Cited

U.S. PATENT DOCUMENTS

D. 234,348 2/1975 Moses D34/38

D. 258,948 4/1981 Stamp D34/38

D. 296,599 7/1988 Bean D34/38
3,835,792 9/1974 Wharton 108/902
4,413,737 11/1983 Wind 108/53.1
5,404,829 4/1995 Shuert 108/51.1

Primary Examiner—A. Hugo Word
Assistant Examiner—Robin Taylor
Attorney, Agent, or Firm—Stevens, Davis, Miller & Mosher

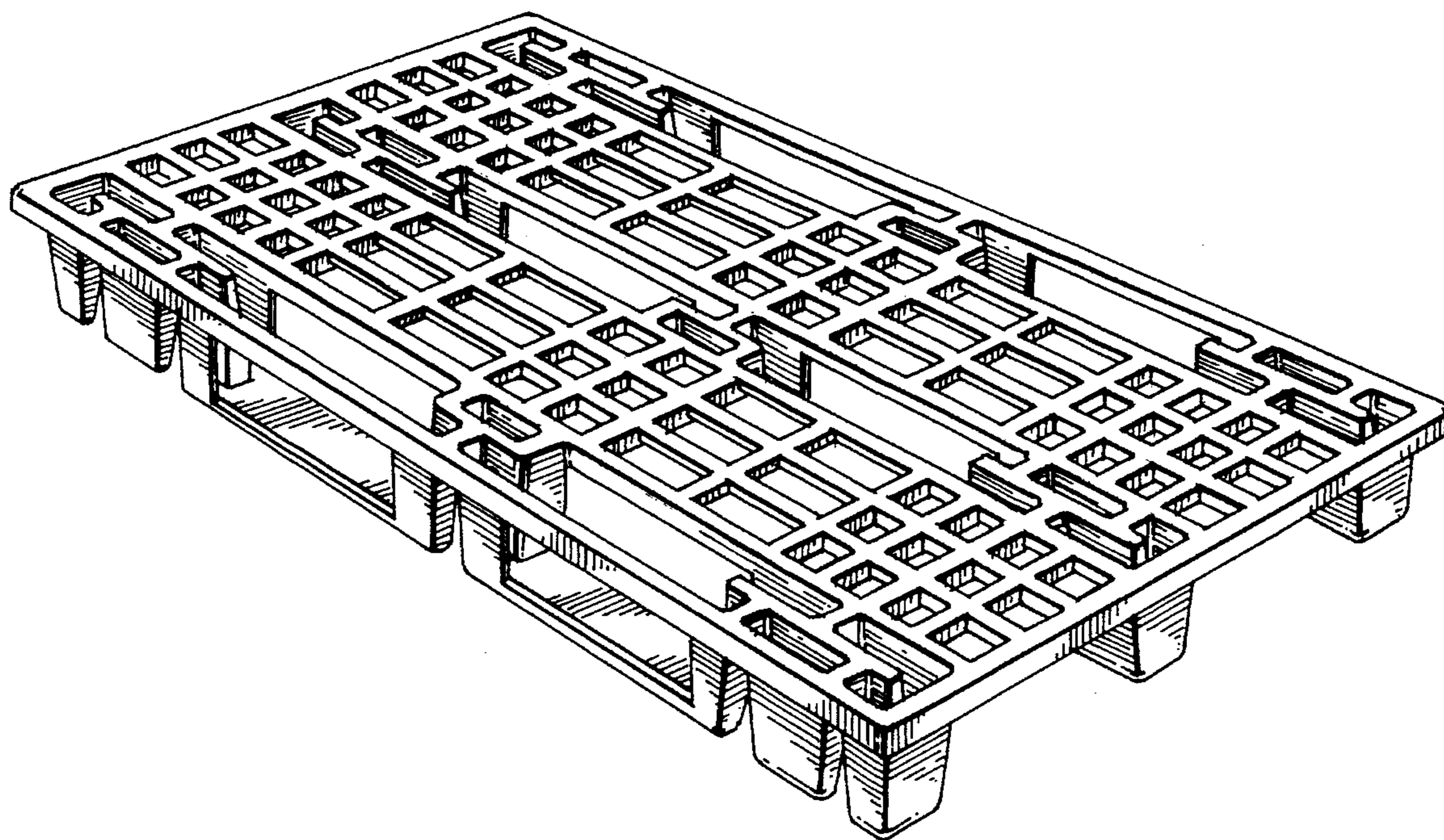
[57] CLAIM

The ornamental design for a pallet, as shown and described.

DESCRIPTION

FIG. 1 is a perspective view of my novel design for a pallet showing the front and left side; a perspective view showing the rear and right side is a mirror image thereof; FIG. 2 is an elevational view of one side thereof; the other side is a mirror image thereof; FIG. 3 is a top plan view thereof; FIG. 4 is a bottom plan view thereof; and, FIG. 5 is a front elevational view; the rear elevational view is a mirror image thereof.

1 Claim, 4 Drawing Sheets



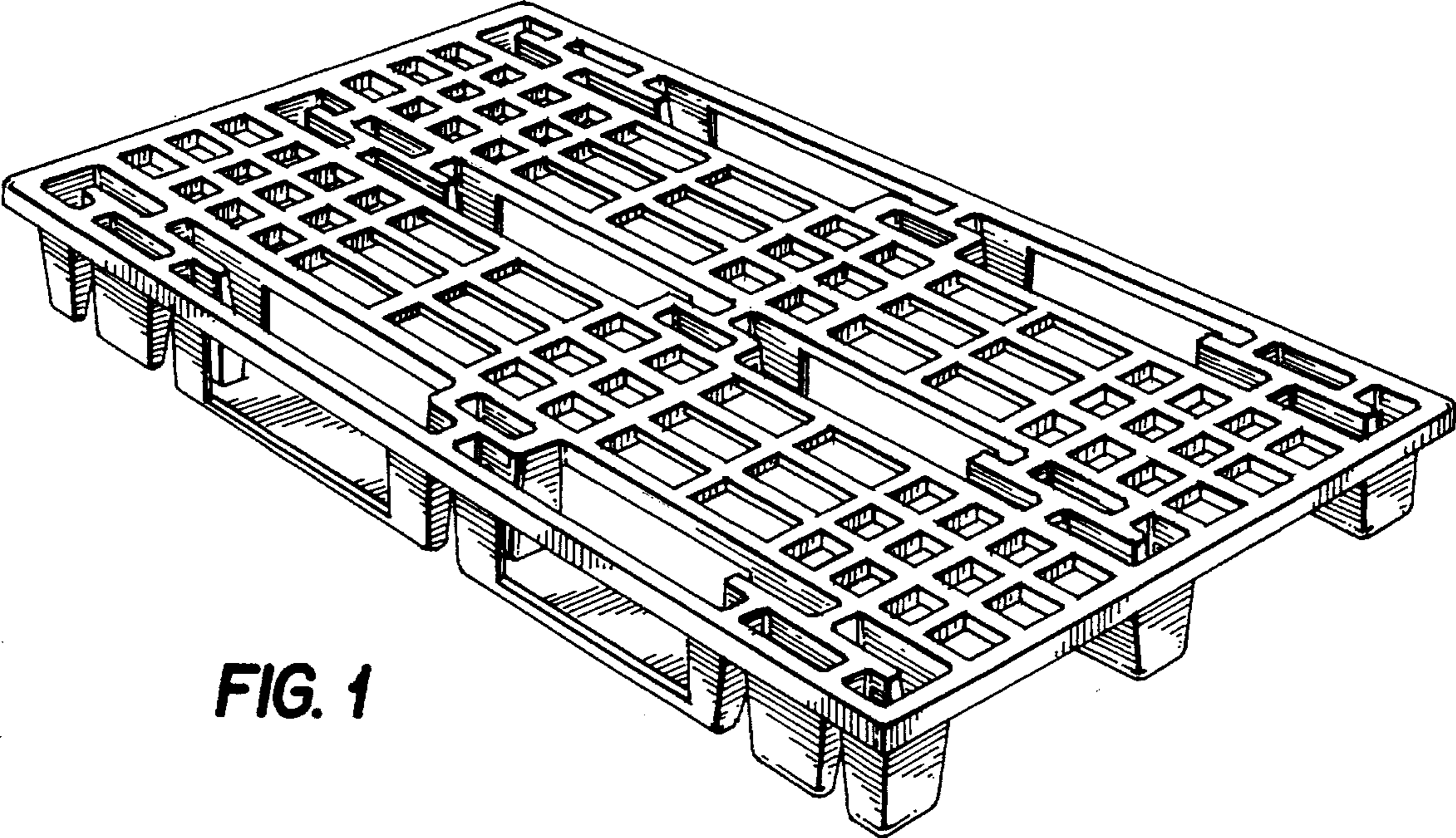


FIG. 1

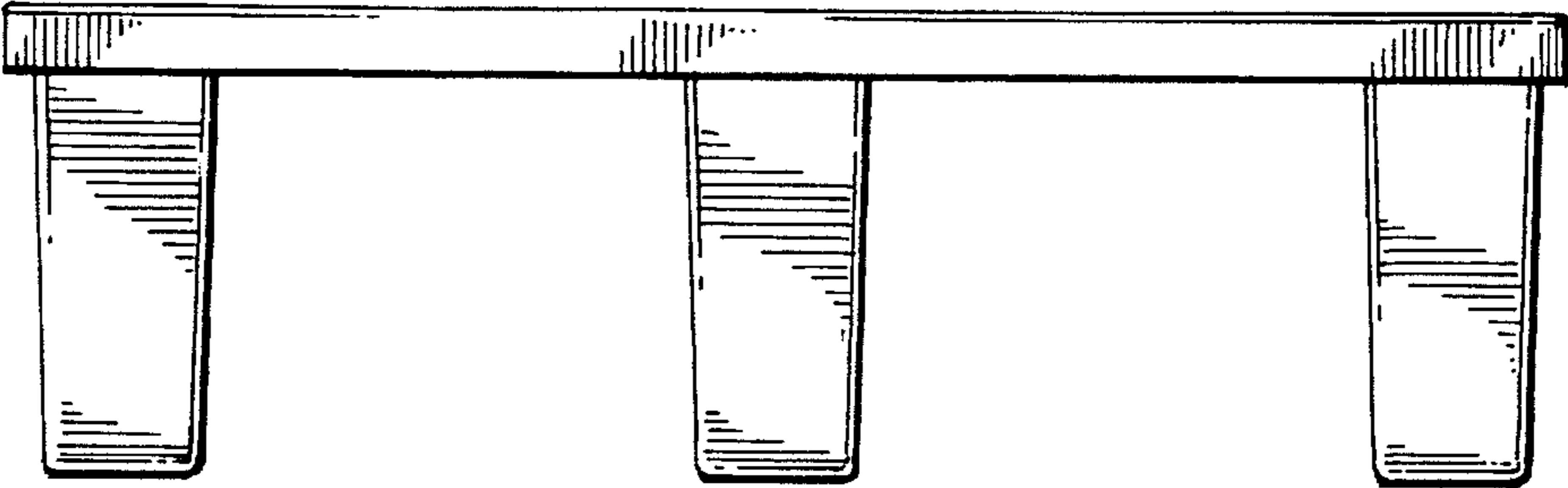


FIG. 2

FIG. 3

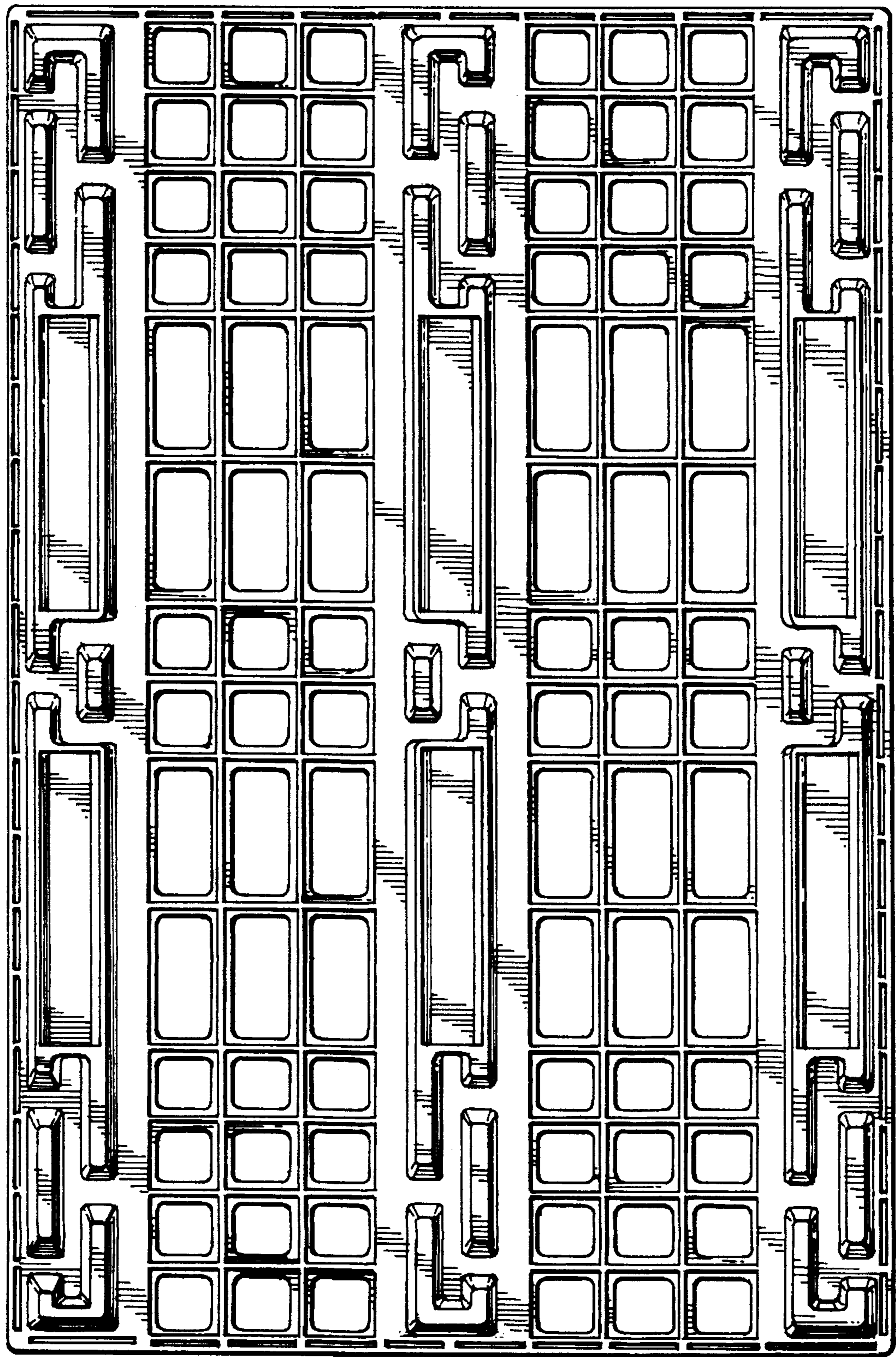
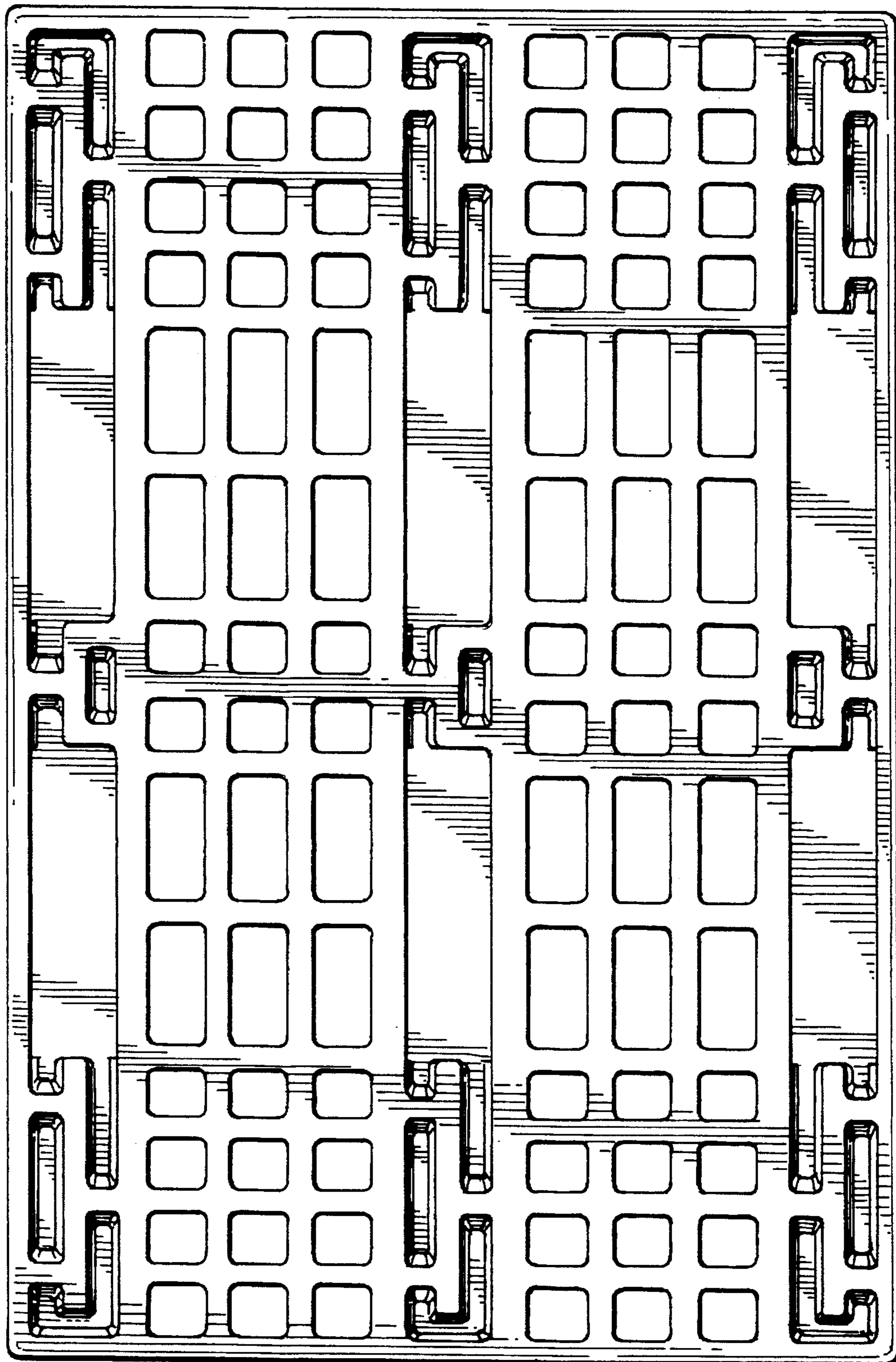


FIG. 4



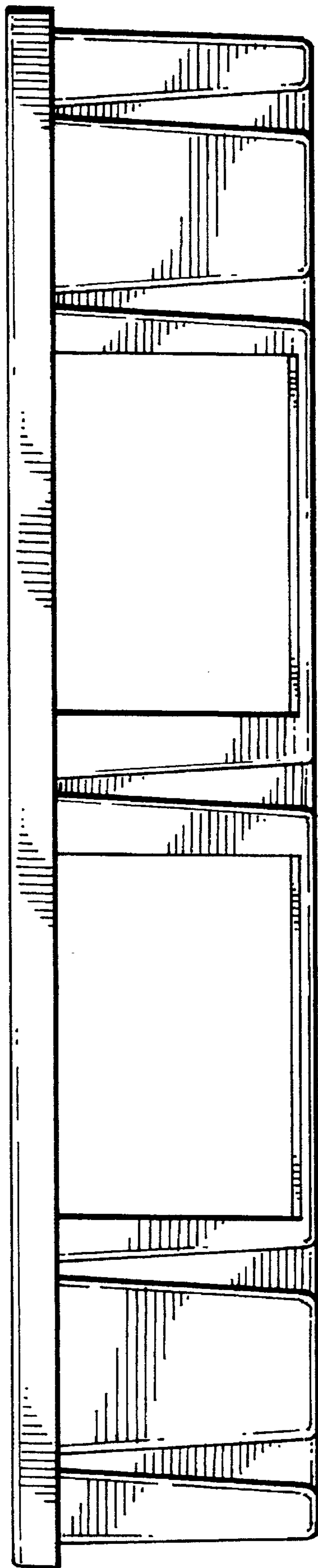


FIG. 5