



US00D371879S

United States Patent [19]

Linder

[11] Patent Number: **Des. 371,879**

[45] Date of Patent: ****Jul. 16, 1996**

[54] **PRINTER CART**

[75] Inventor: **Steven E. Linder**, Portland, Oreg.

[73] Assignee: **Anthro Corporation**, Tualatin, Oreg.

[**] Term: **14 Years**

[21] Appl. No.: **40,381**

[22] Filed: **Jun. 16, 1995**

[52] U.S. Cl. **D34/21; D6/474**

[58] Field of Search D21/12, 17, 20,
D21/21, 22, 23; D6/474, 479, 432, 422,
426, 428, 478, 487; 108/59, 106, 107; 211/13,
126, 133

[56] **References Cited**

U.S. PATENT DOCUMENTS

D. 90,621 1/1933 Kallstrom et al. D34/21

D 142,171 8/1945 Lion D34/21
D. 311,468 10/1990 Martin D6/487
D. 312,717 12/1990 Yau Kee D34/21
D. 330,651 11/1992 Battaglia D6/479

Primary Examiner—Kay H. Chin
Attorney, Agent, or Firm—Stoel Rives

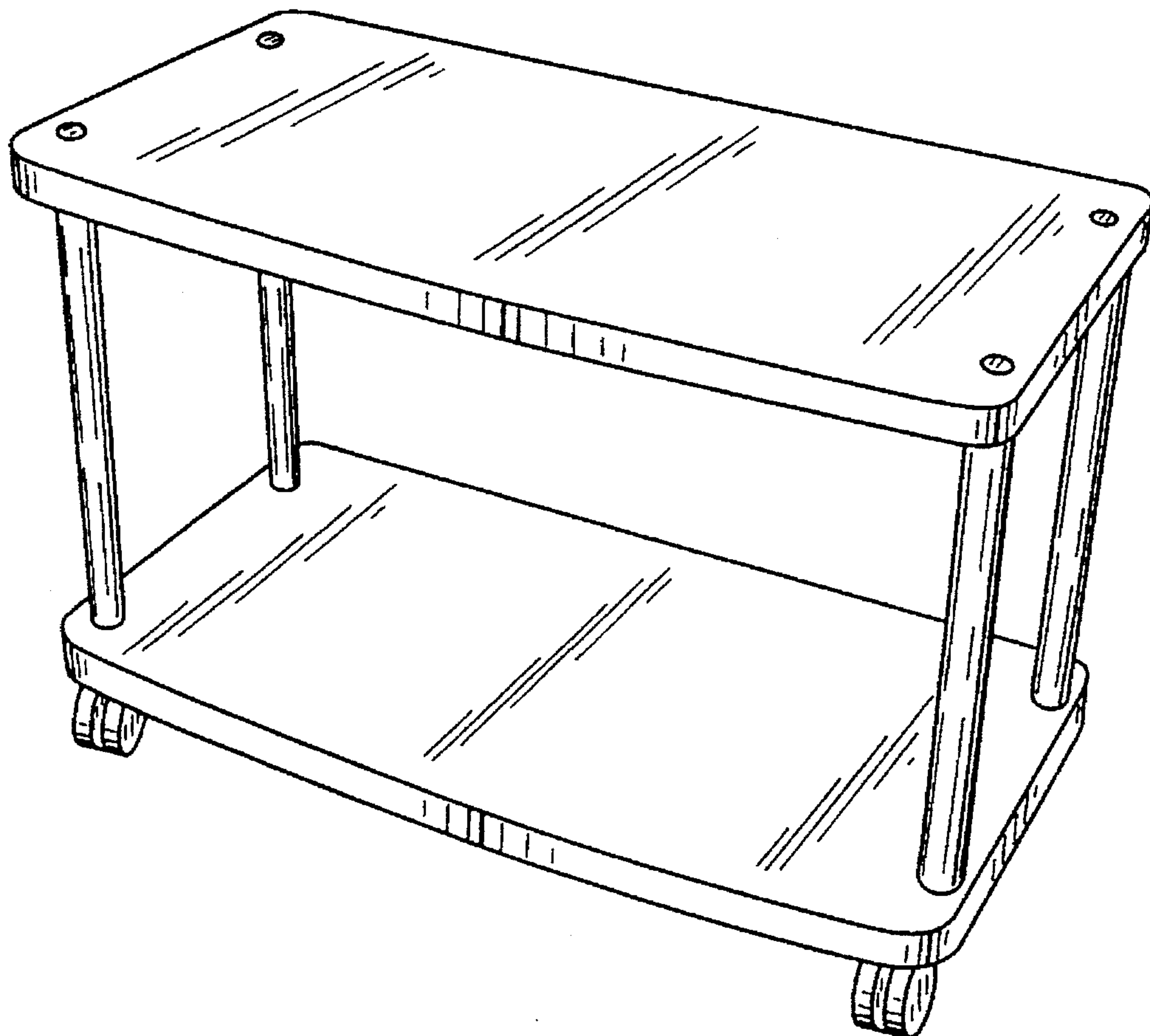
[57] **CLAIM**

The ornamental design for a printer cart, as shown and described.

DESCRIPTION

FIG. 1 is a front elevational view of the printer cart according to my new design;
FIG. 2 is a bottom, rear perspective view thereof;
FIG. 3 is a top, front perspective view thereof; and,
FIG. 4 is a left side elevational view thereof.

1 Claim, 1 Drawing Sheet



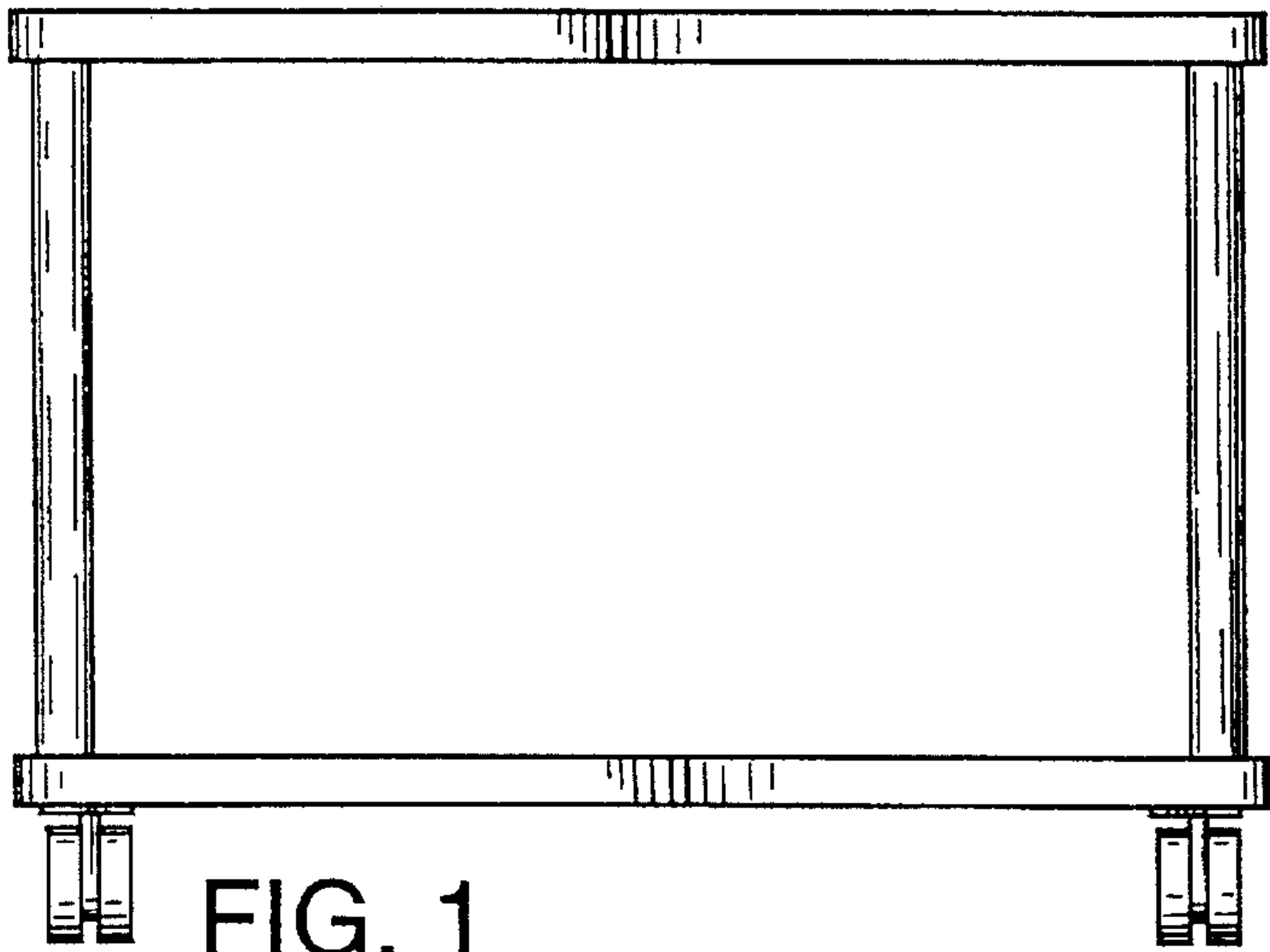


FIG. 1

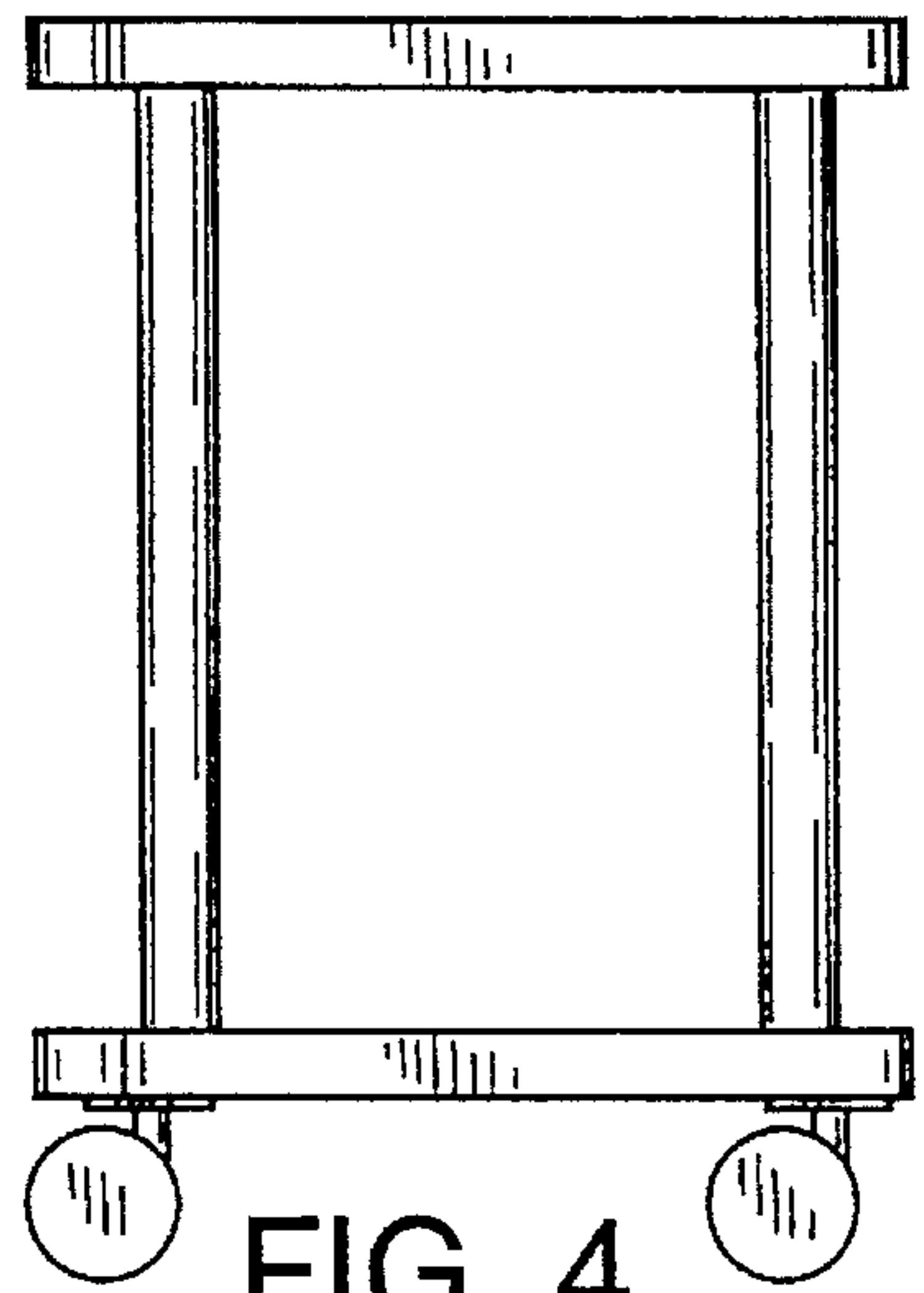


FIG. 4

FIG. 2

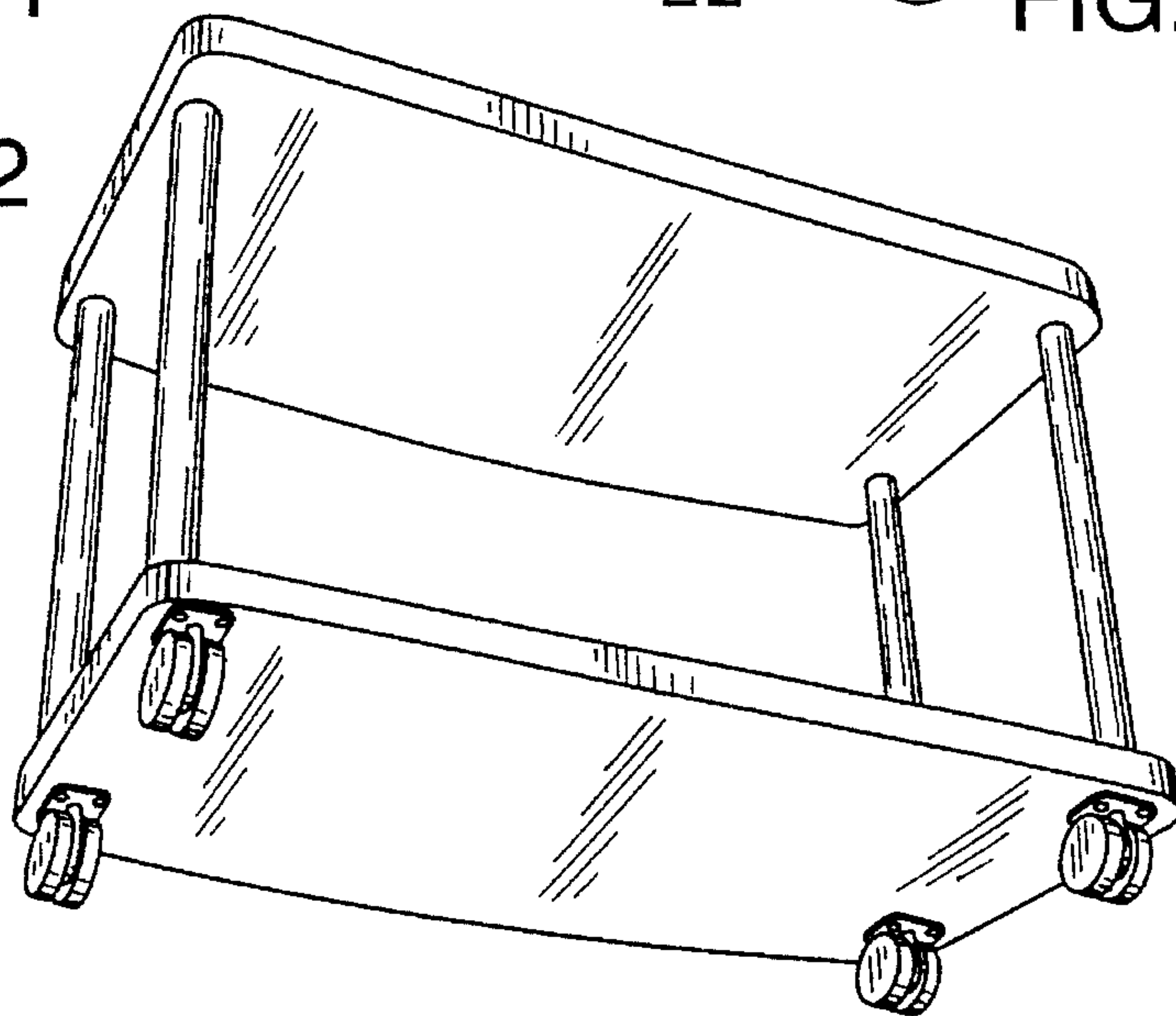


FIG. 3

