



US00D371877S

United States Patent [19]

[11] Patent Number: **Des. 371,877**

Wai

[45] Date of Patent: ****Jul. 16, 1996**

[54] **TRAVEL IRON**

[75] Inventor: **Choi L. Wai**, Hong Kong, Hong Kong

[73] Assignee: **Goodway Electrical Co. Ltd.**, Hong Kong, Hong Kong

[**] Term: **14 Years**

2025688 9/1992 United Kingdom .
 2025656 9/1992 United Kingdom .
 2027249 11/1992 United Kingdom .
 2030309 4/1993 United Kingdom .

[21] Appl. No.: **9,931**

[22] Filed: **Jun. 23, 1993**

[30] **Foreign Application Priority Data**

Dec. 31, 1992 [GB] United Kingdom 2028078

[52] **U.S. Cl.** **D32/69**

[58] **Field of Search** D32/68, 69, 71,
 D32/72, 73; 219/245, 246, 247, 254; 38/77.1,
 77.5, 74, 77.8, 77.7, 77.9, 79

OTHER PUBLICATIONS

U.S. Design Patent Application Nos. 29/000,335, 29/000,343, filed Oct. 9, 1992.
 U.S. Design Patent Application No. 29/008,615, filed May 20, 1993.
 U.S. Design Patent Application No. 29/000,342, filed Oct. 9, 1992 (now abandoned).

Primary Examiner—A. Hugo Word
Assistant Examiner—Cynthia E. Ramirez
Attorney, Agent, or Firm—Klarquist Sparkman Campbell Leigh & Whinston

[56] References Cited

U.S. PATENT DOCUMENTS

D. 283,934 5/1986 Tsuji D32/69
 D. 292,536 10/1987 Tsuji D32/69
 D. 300,479 3/1989 Paulin D32/69
 2,871,589 2/1959 Schwancke 38/77.7

FOREIGN PATENT DOCUMENTS

9207456.1 8/1992 Germany .
 1040790 3/1987 United Kingdom .
 1057762 3/1989 United Kingdom .
 2014222 4/1991 United Kingdom .
 2016112 7/1991 United Kingdom .
 2015874 7/1991 United Kingdom .
 2019384 12/1991 United Kingdom .
 2019383 12/1991 United Kingdom .
 2023828 6/1992 United Kingdom .
 2025444 8/1992 United Kingdom .

[57] CLAIM

The ornamental design for a travel iron, as shown and described.

DESCRIPTION

FIG. 1 shows a plan view;
 FIG. 2 shows a plan view with part in alternative position;
 FIG. 3 shows a front view with part in alternative position;
 FIG. 4 shows a side view;
 FIG. 5 shows a another side view;
 FIG. 6 shows a rear view with part in alternative position;
 FIG. 7 shows a front view;
 FIG. 8 shows a rear view;
 FIG. 9 shows an underside plan view;
 FIG. 10 shows an underneath plan view of alternative embodiment which is the same as the first embodiment except for slight hole pattern revision; and,
 FIG. 11 shows a front, top perspective view.

1 Claim, 6 Drawing Sheets

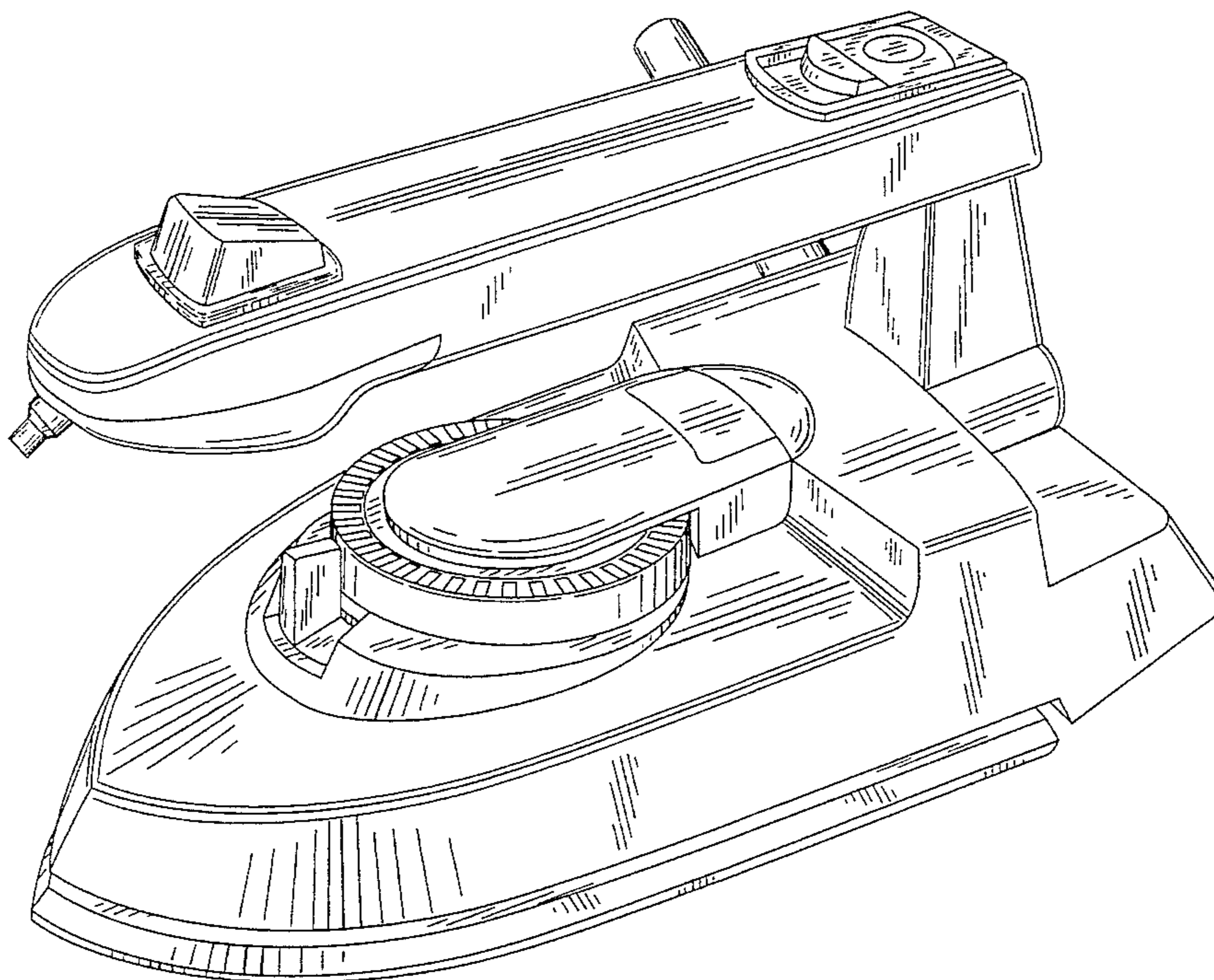


FIG 1

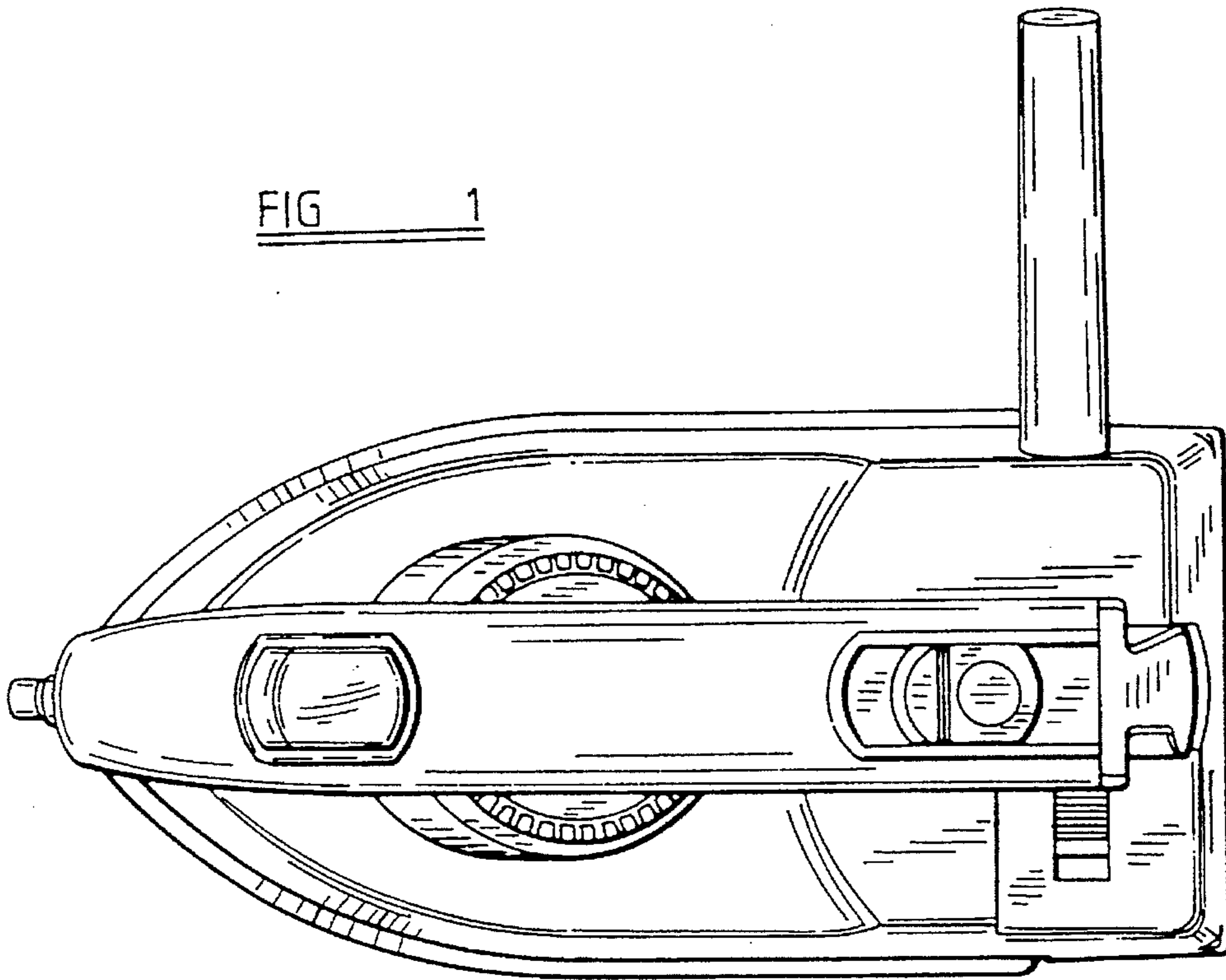
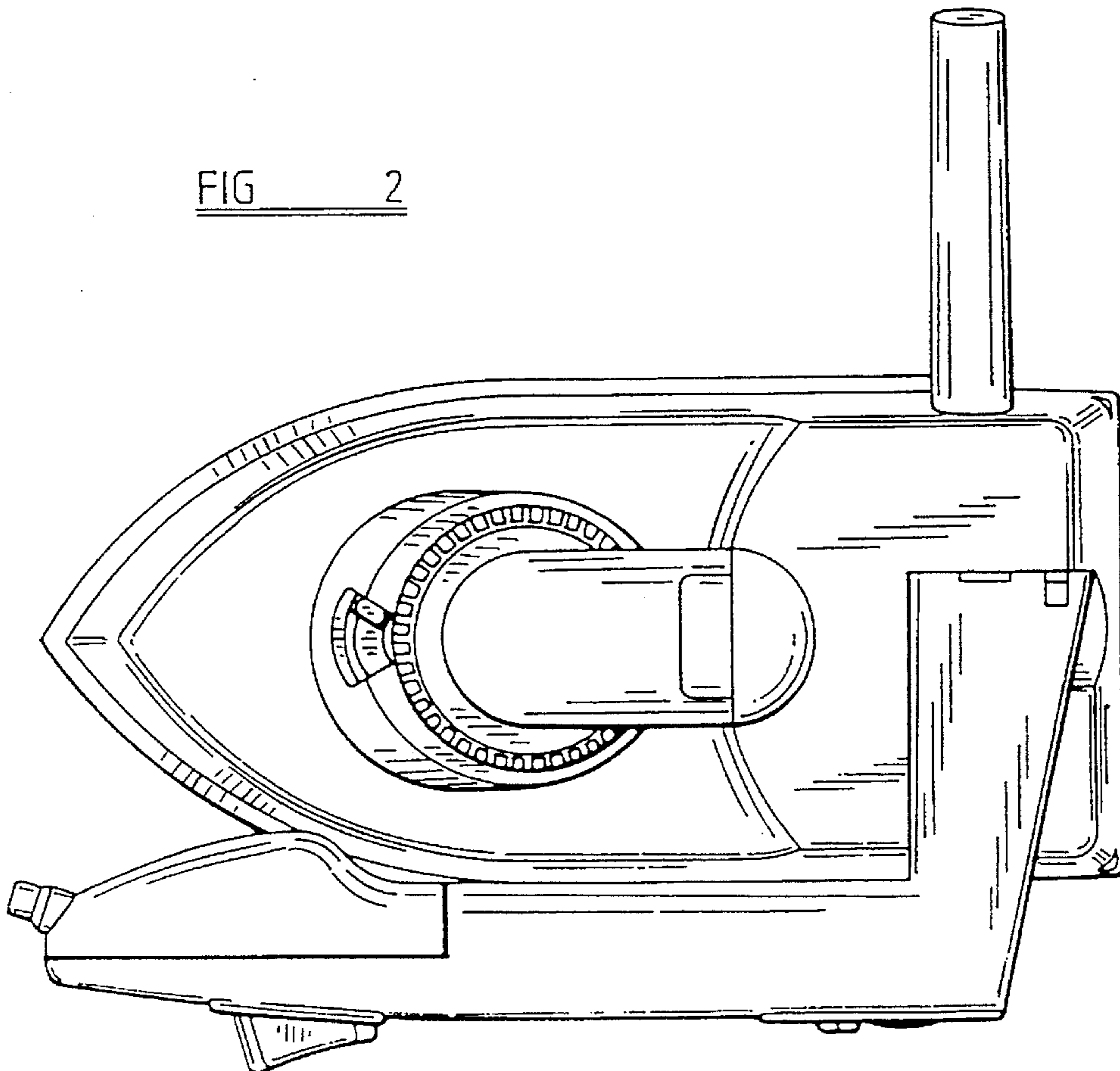


FIG 2



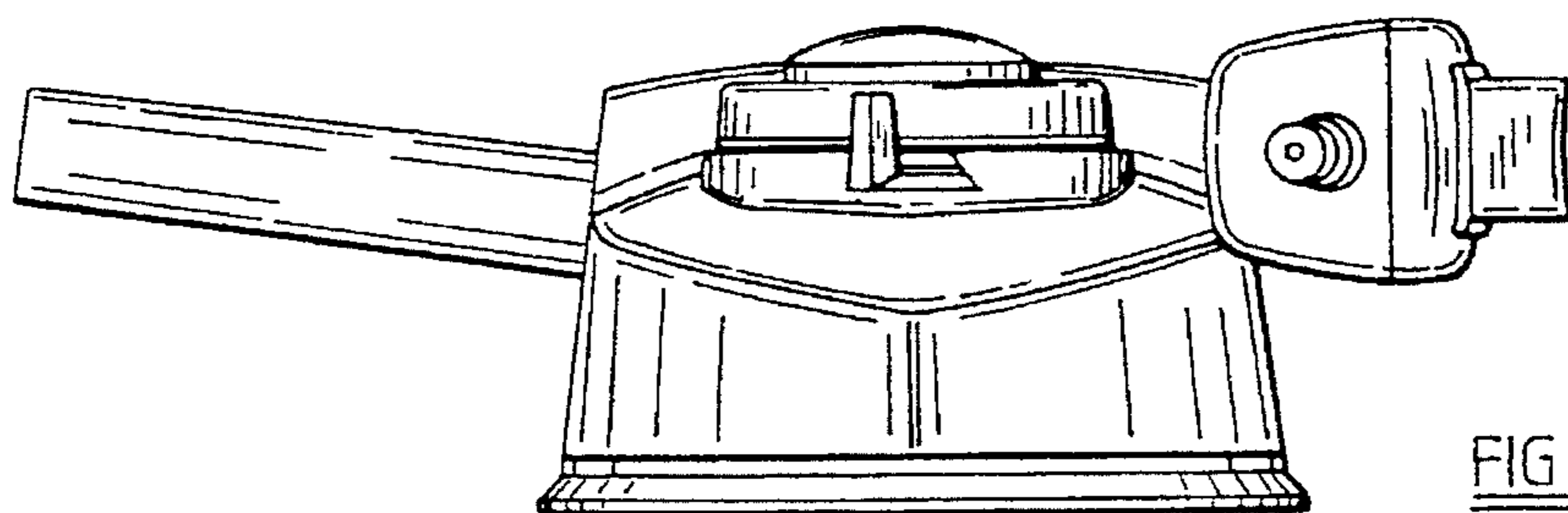


FIG 3

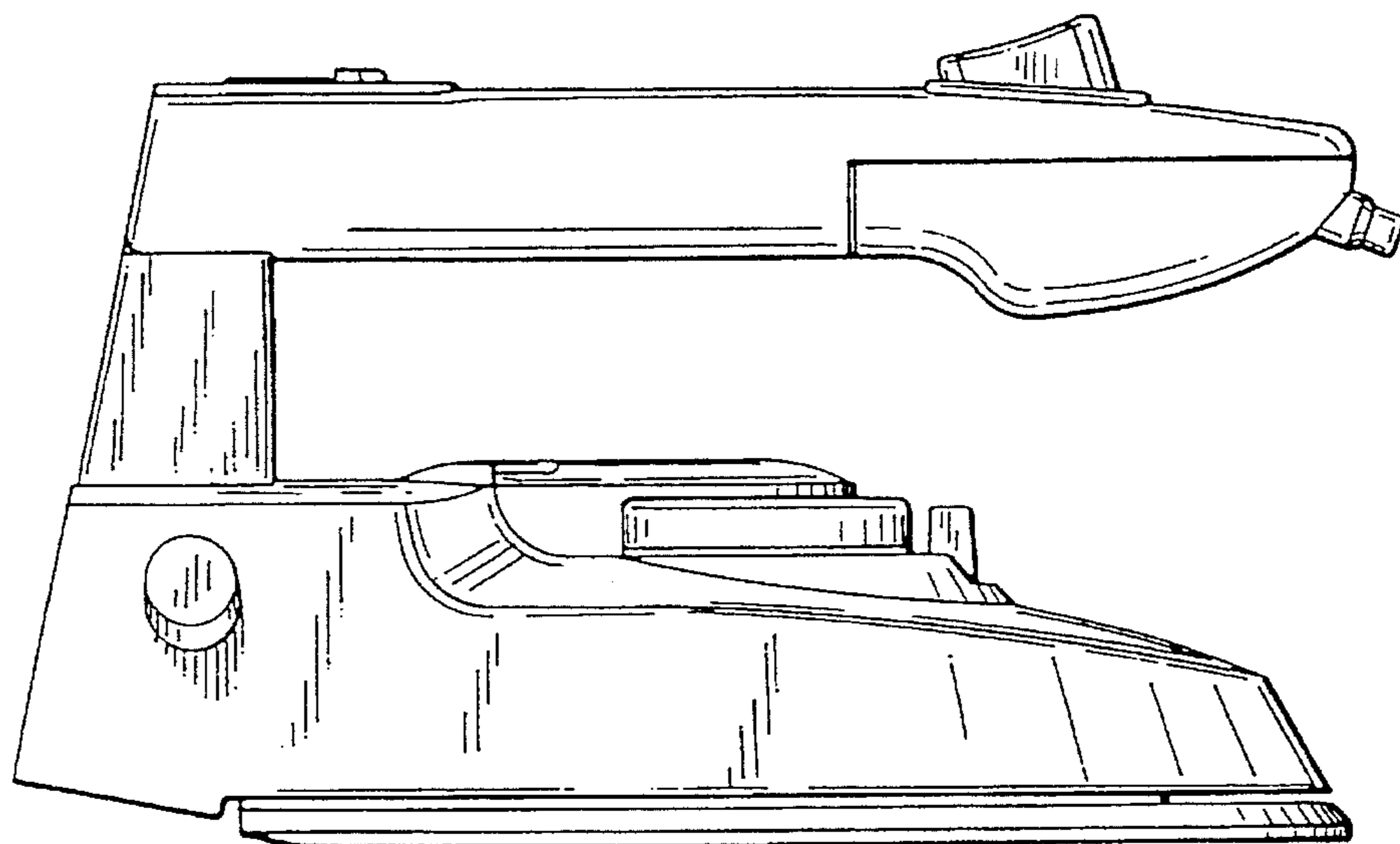


FIG 4

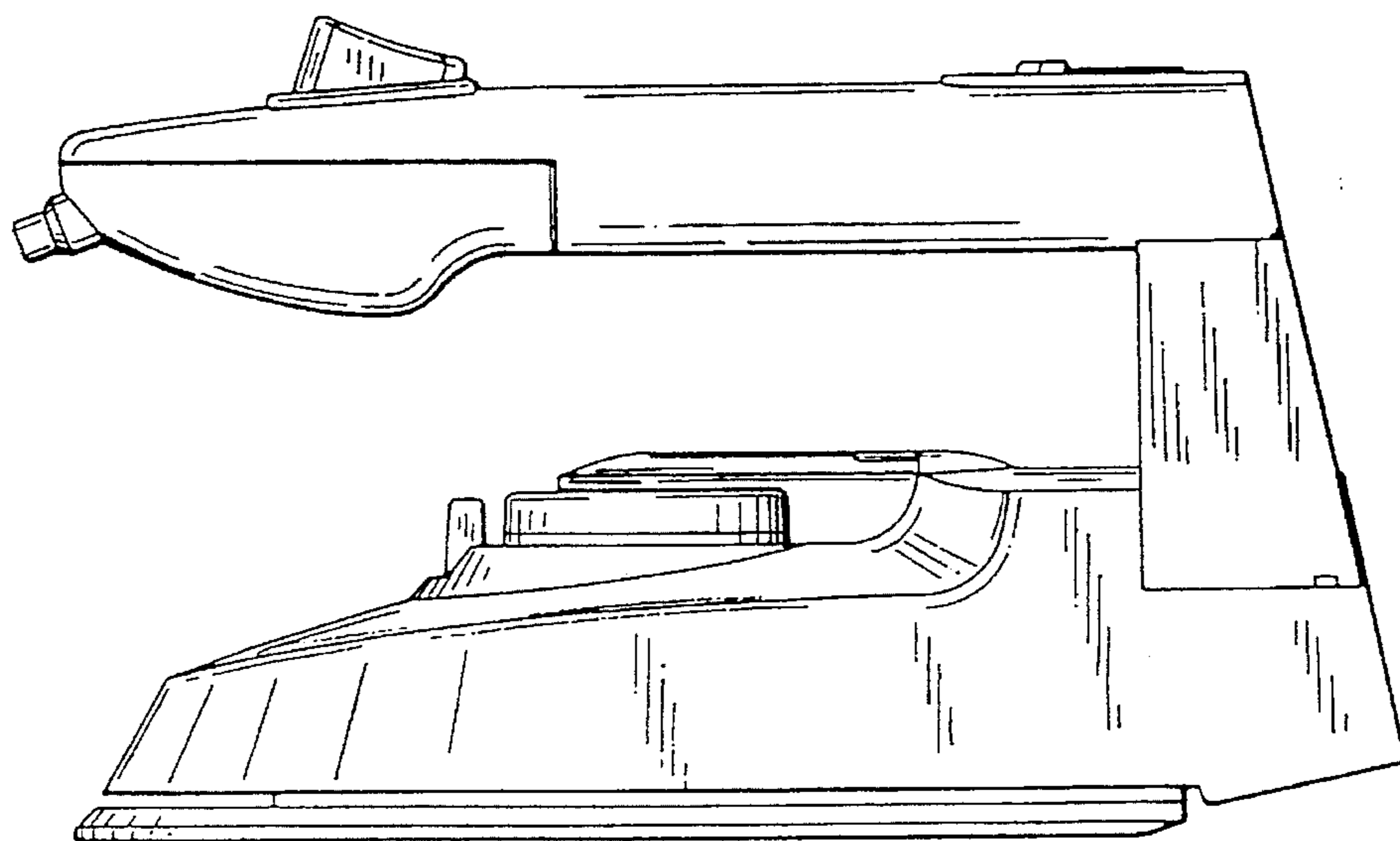


FIG 5

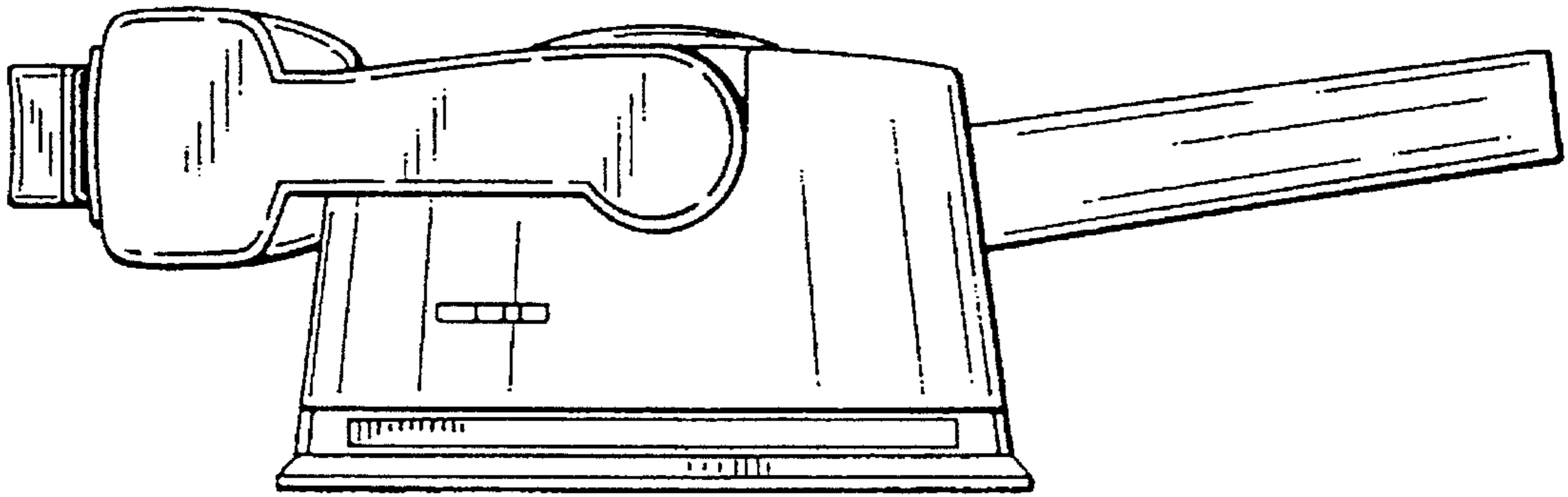


FIG 6

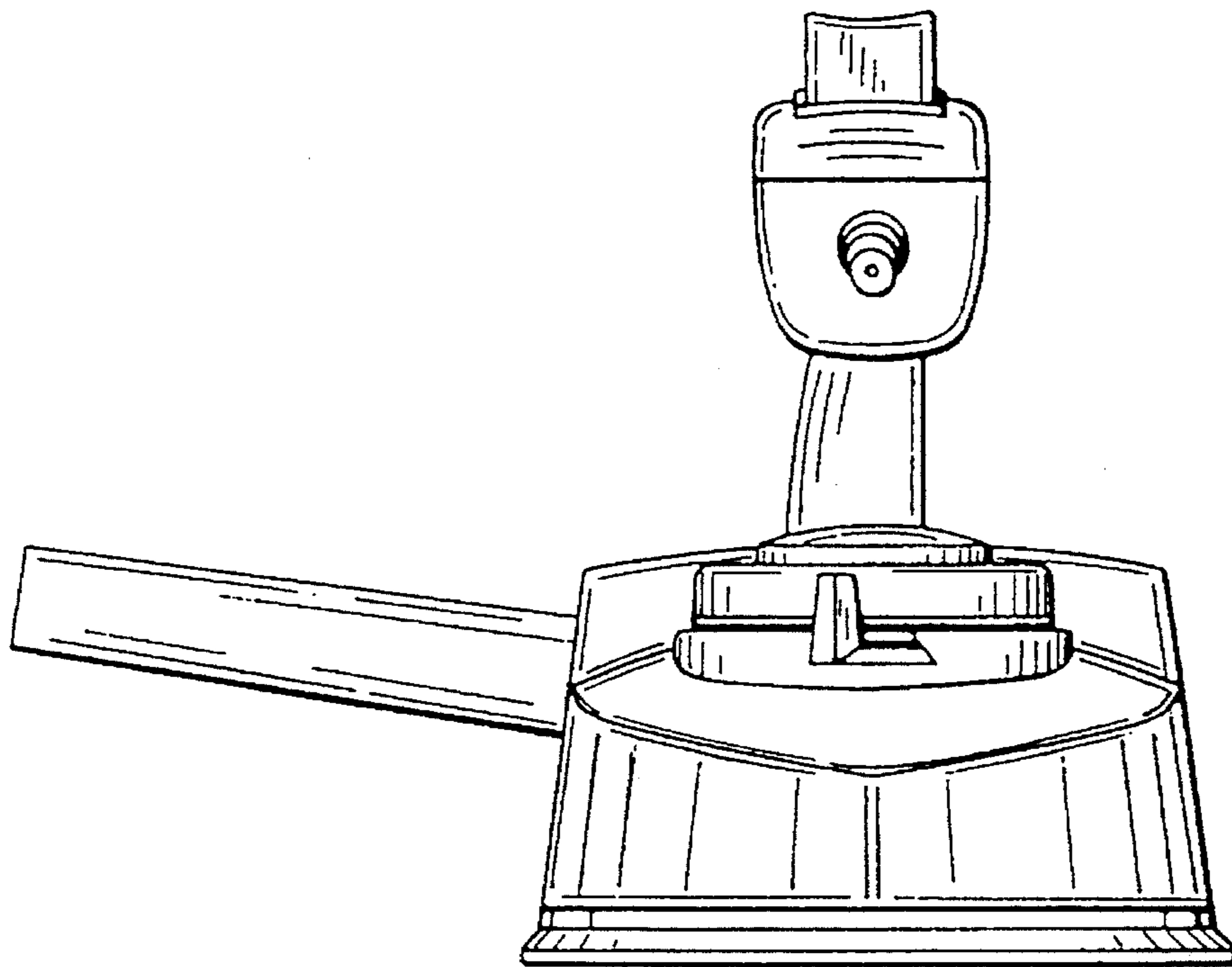


FIG 7

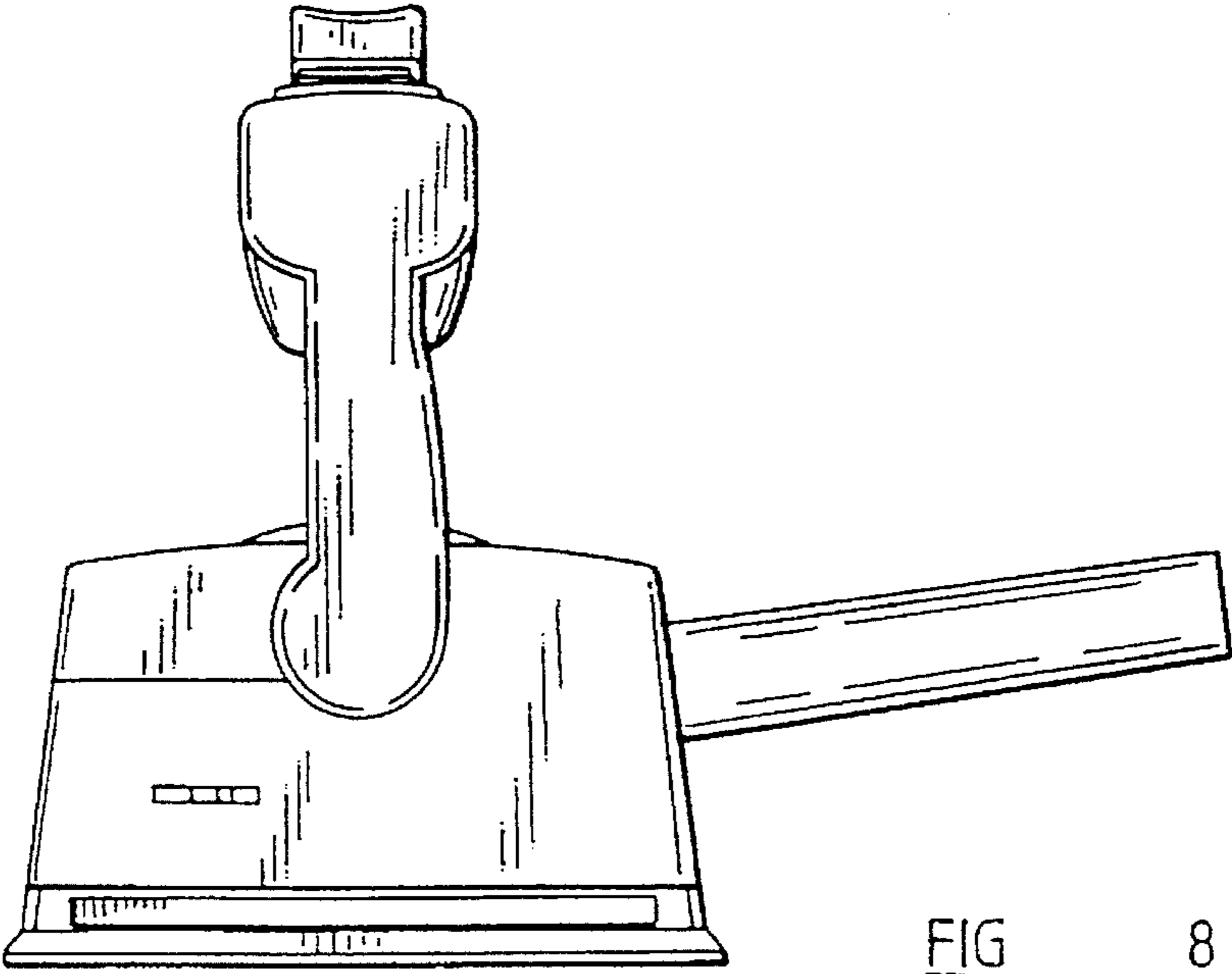


FIG 8

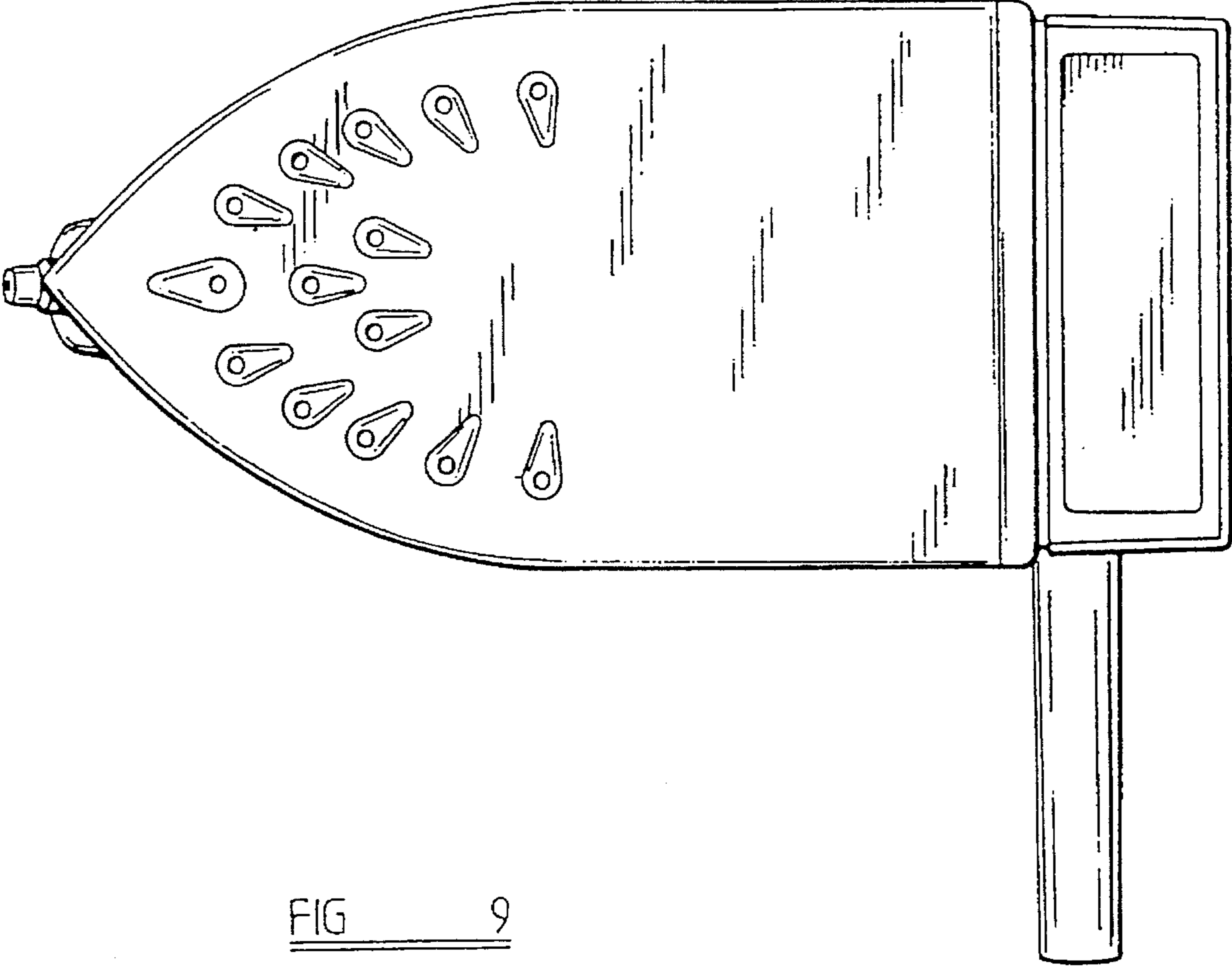


FIG 9

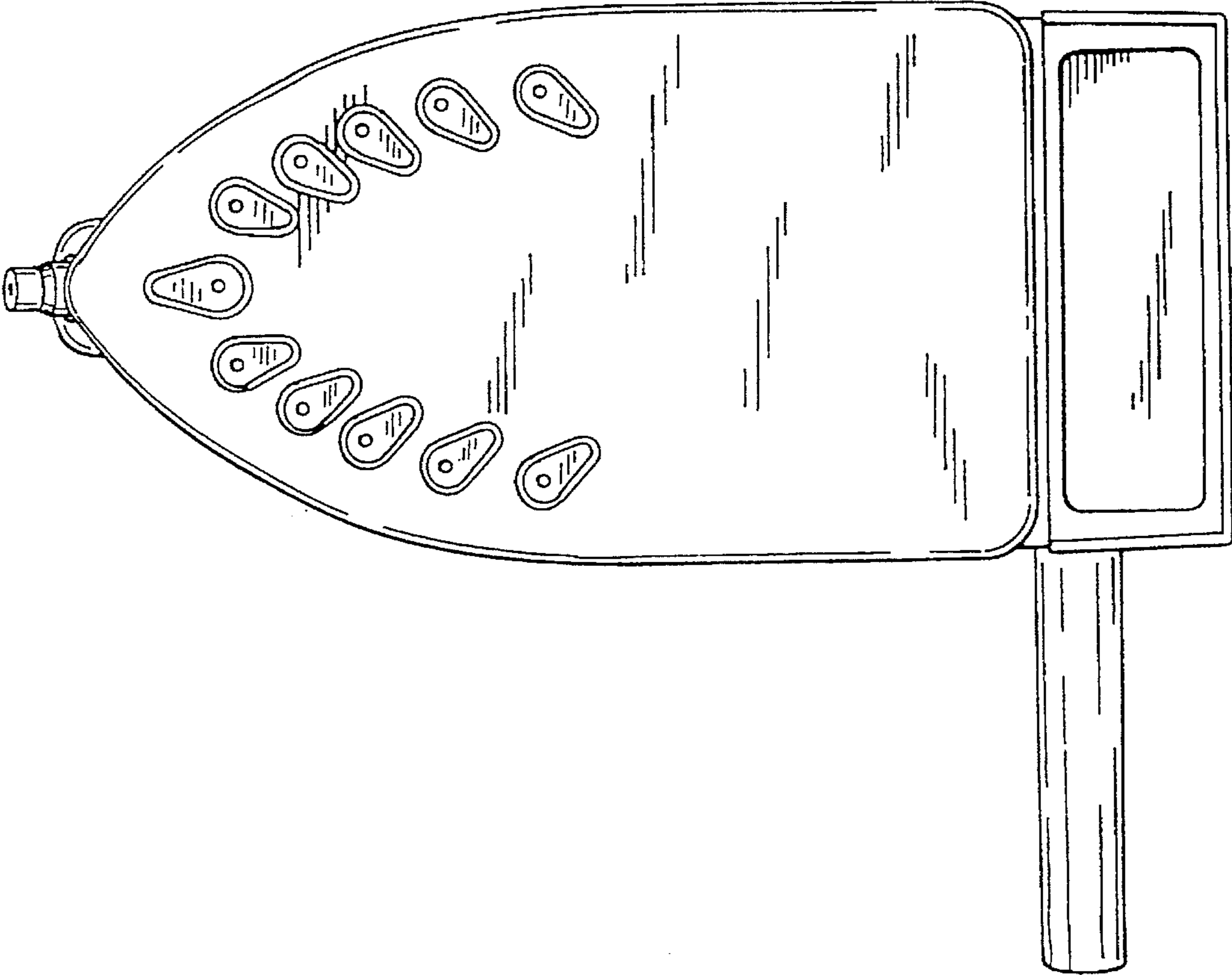


FIG 10

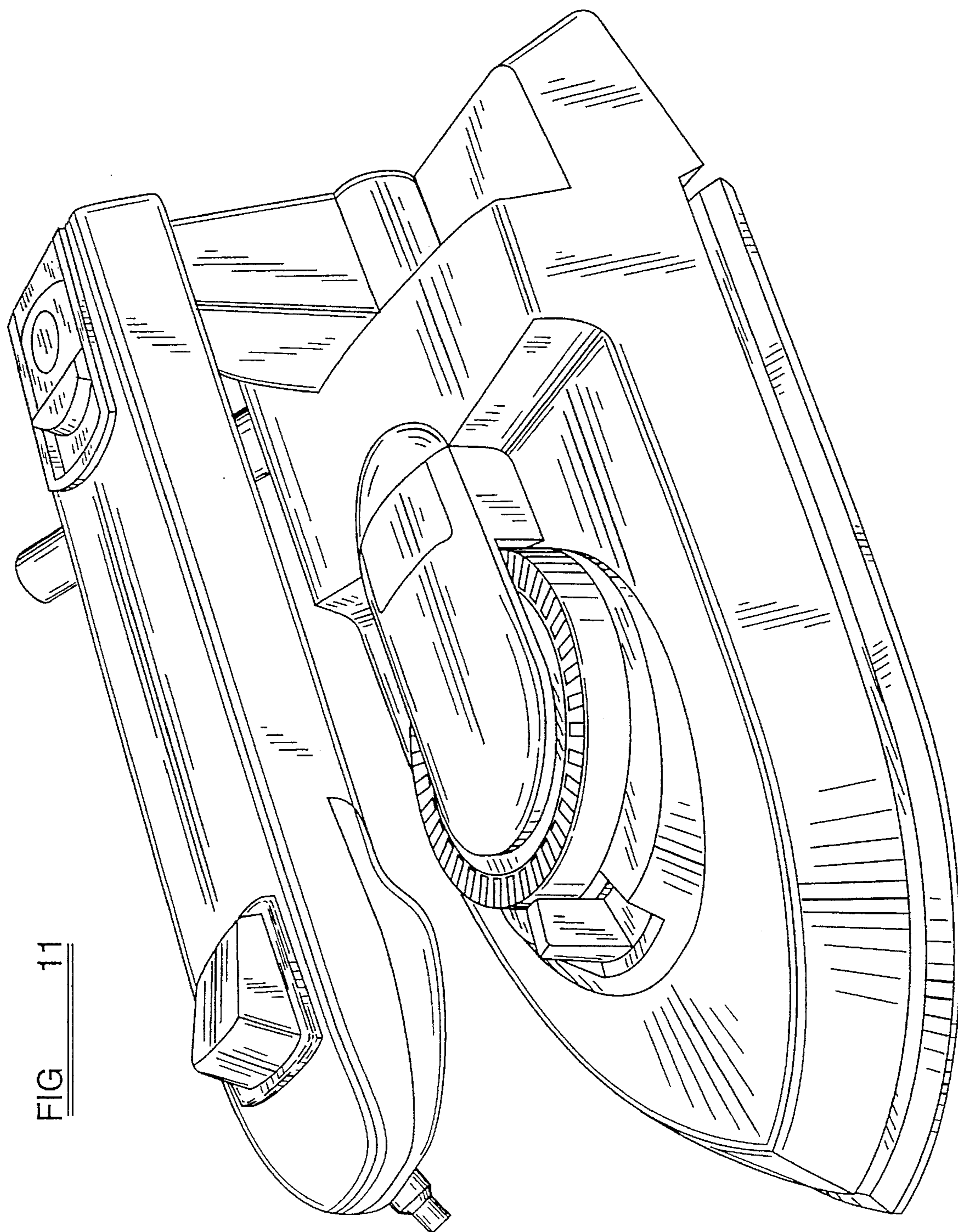


FIG 11