



US00D371876S

United States Patent [19]

[11] Patent Number: **Des. 371,876**

Albert et al.

[45] Date of Patent: ****Jul. 16, 1996**

[54] PAINTING TRAY

D. 332,512 1/1993 Bernard D32/53.1

[76] Inventors: **Louis Albert**, 15 Ashworth St.,
Manchester, Conn. 06040; **Lance
Albert**, 400 Lake St., Bolton, Conn.
06043

Primary Examiner—Brian N. Vinson
Assistant Examiner—Robin V. Taylor

[**] Term: **14 Years**

[57] **CLAIM**

The ornamental design for a painting tray, as shown and described.

[21] Appl. No.: **16,188**

DESCRIPTION

[22] Filed: **Dec. 9, 1993**

[52] U.S. Cl. **D32/53.1**

[58] Field of Search D32/53, 53.1,
D32/54; 15/248.2, 257.05, 257.06; 206/518,
557; 220/570; 401/118, 119, 121

FIG. 1 is a top plan view of a painting tray showing our new design;

FIG. 2 is a side view thereof; the opposite side being a mirror image;

FIG. 3 is a perspective view thereof;

FIG. 4 is a sectional view taken through line 4—4 of FIG. 1;

FIG. 5 is a sectional view taken through line 5—5 of FIG. 1; and,

FIG. 6 is a bottom perspective view thereof.

[56] **References Cited**

U.S. PATENT DOCUMENTS

D. 280,855 10/1985 Smith D32/53.1
D. 301,785 6/1989 Goetz D32/53.1
D. 302,614 8/1989 Beatty D32/53.1

1 Claim, 3 Drawing Sheets

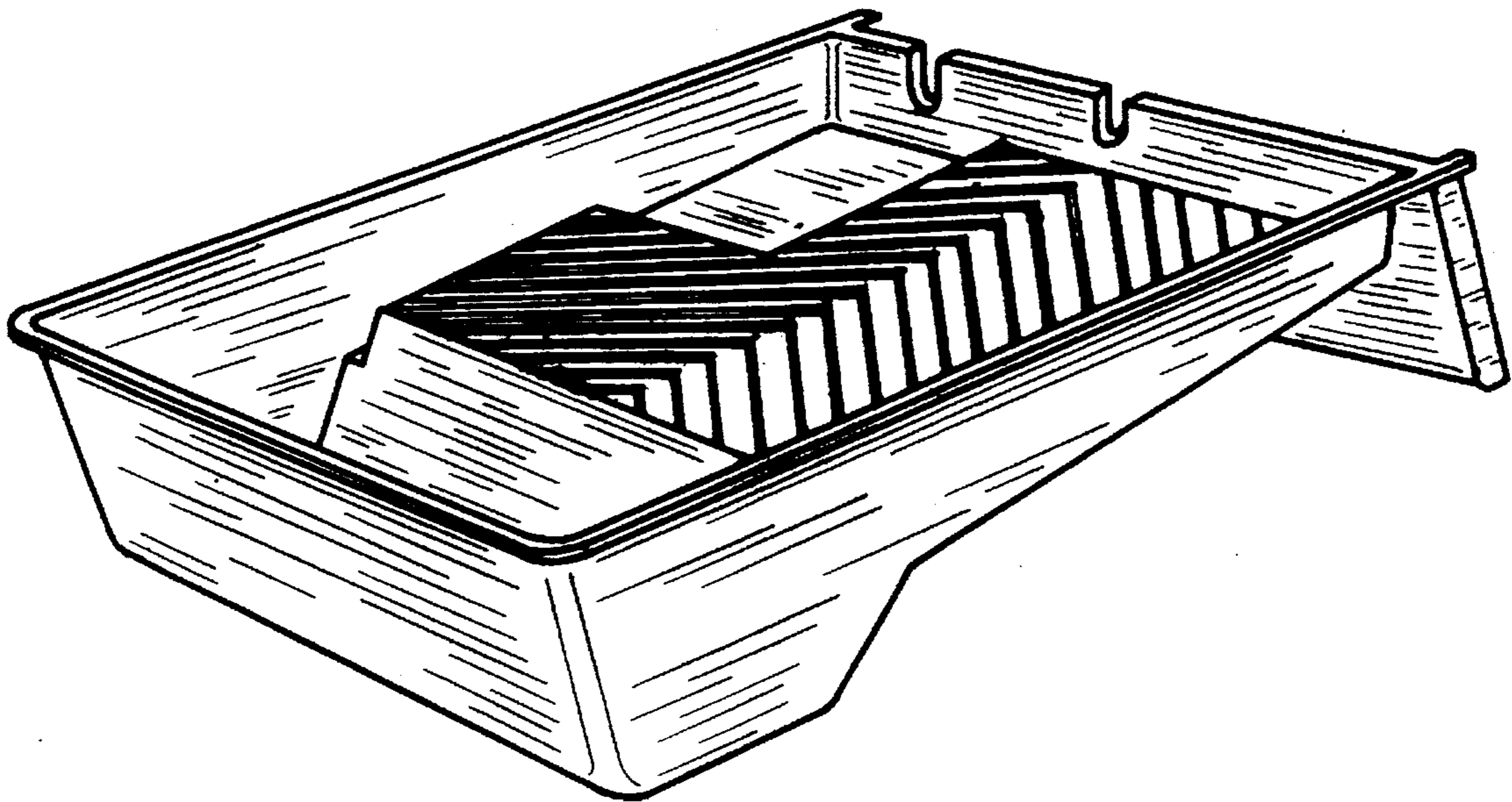


Fig. 1

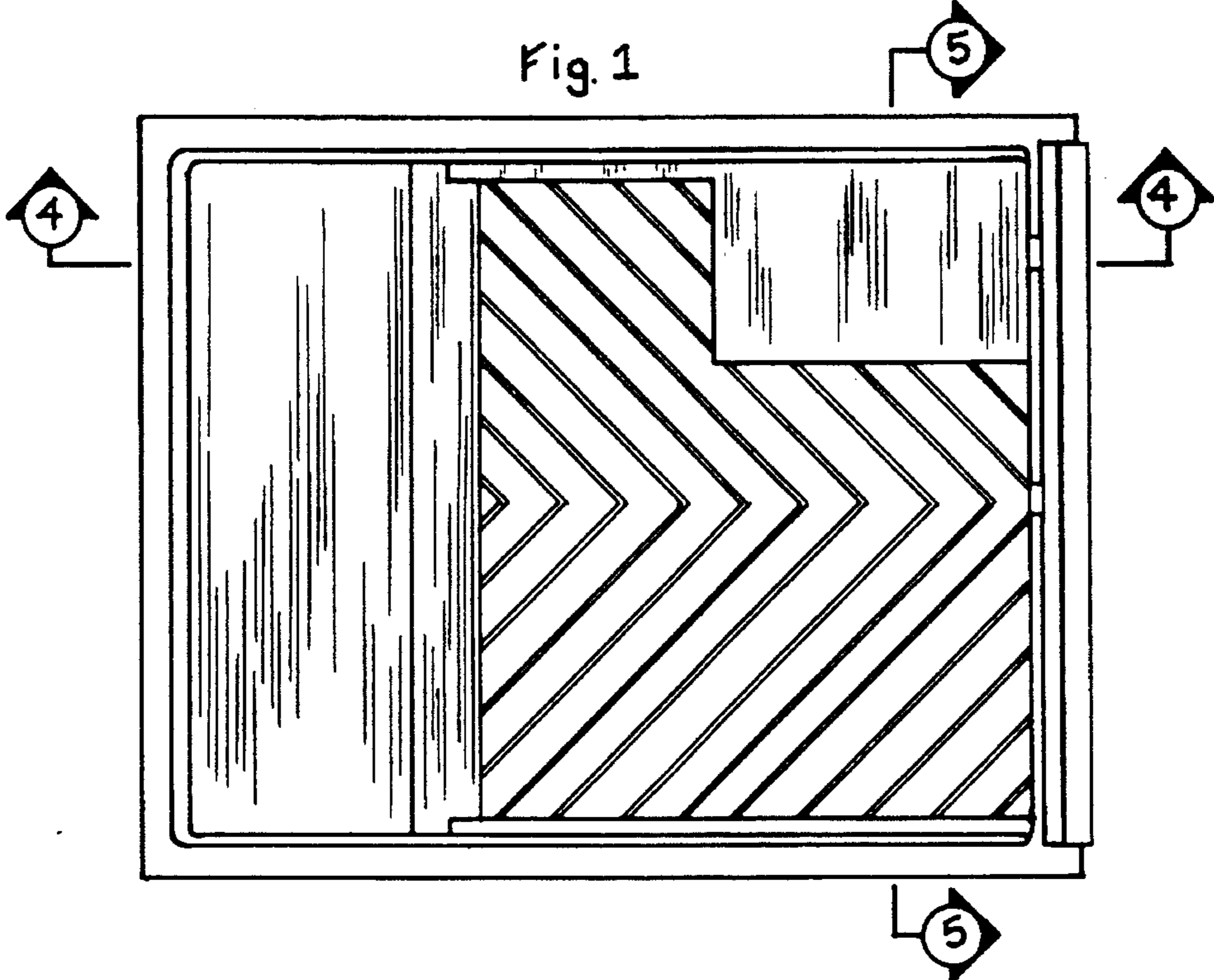


Fig. 2

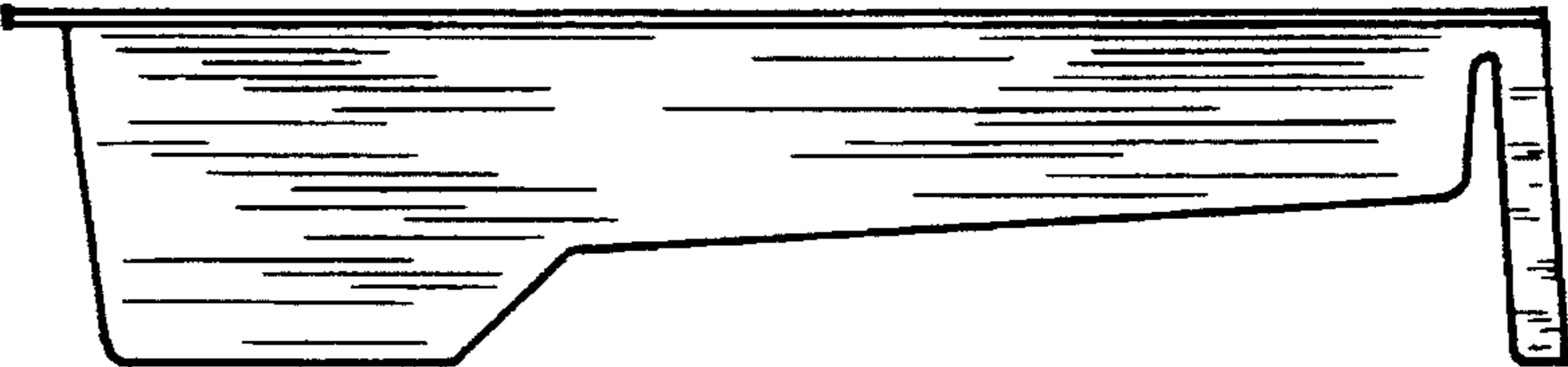


Fig. 3

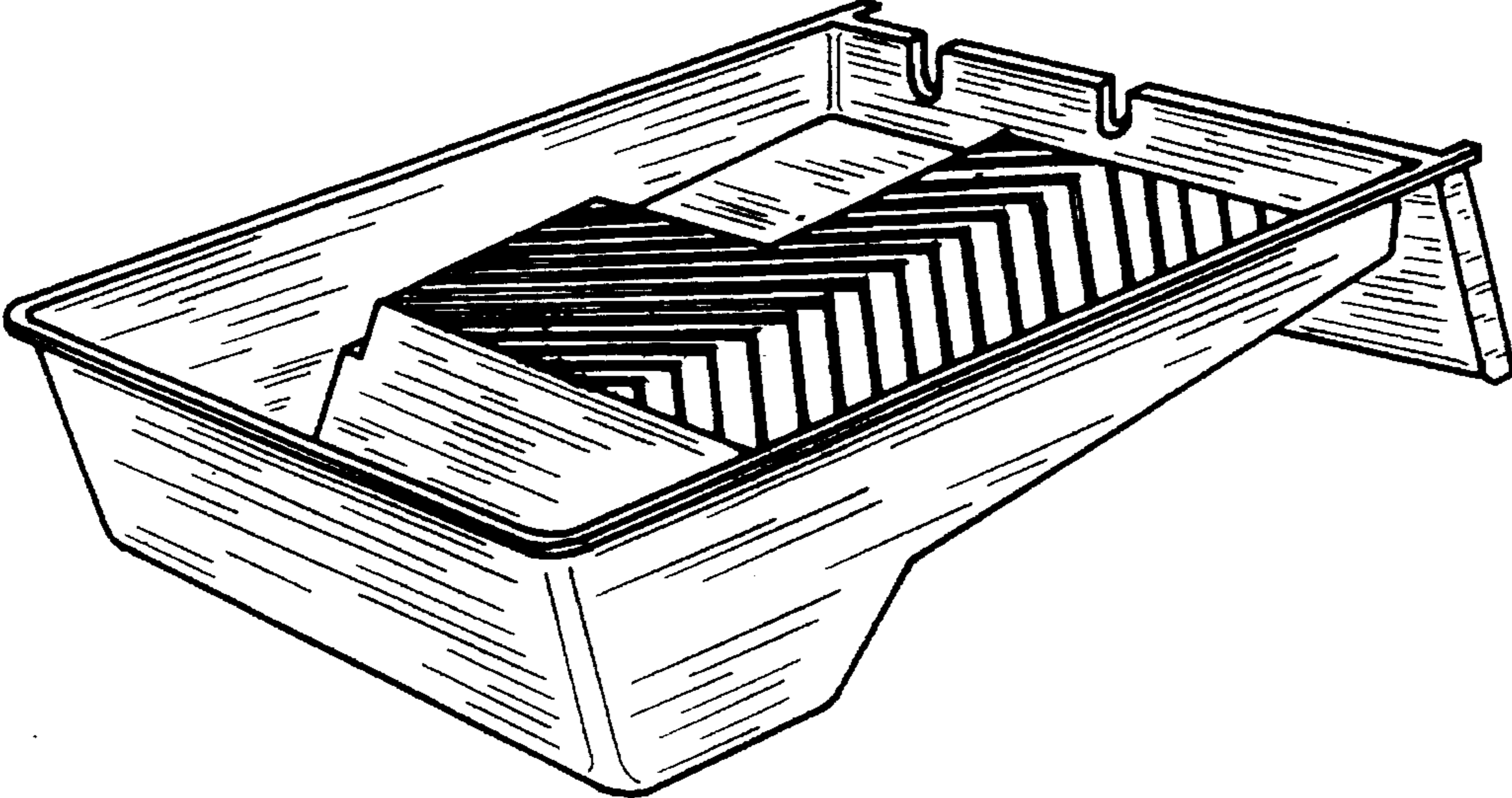


Fig. 4

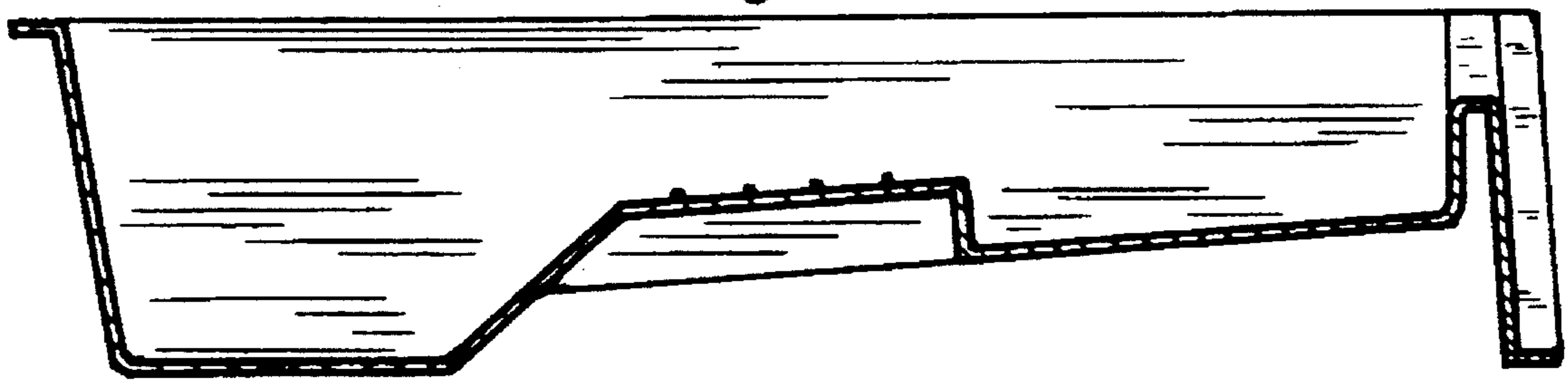


Fig. 5

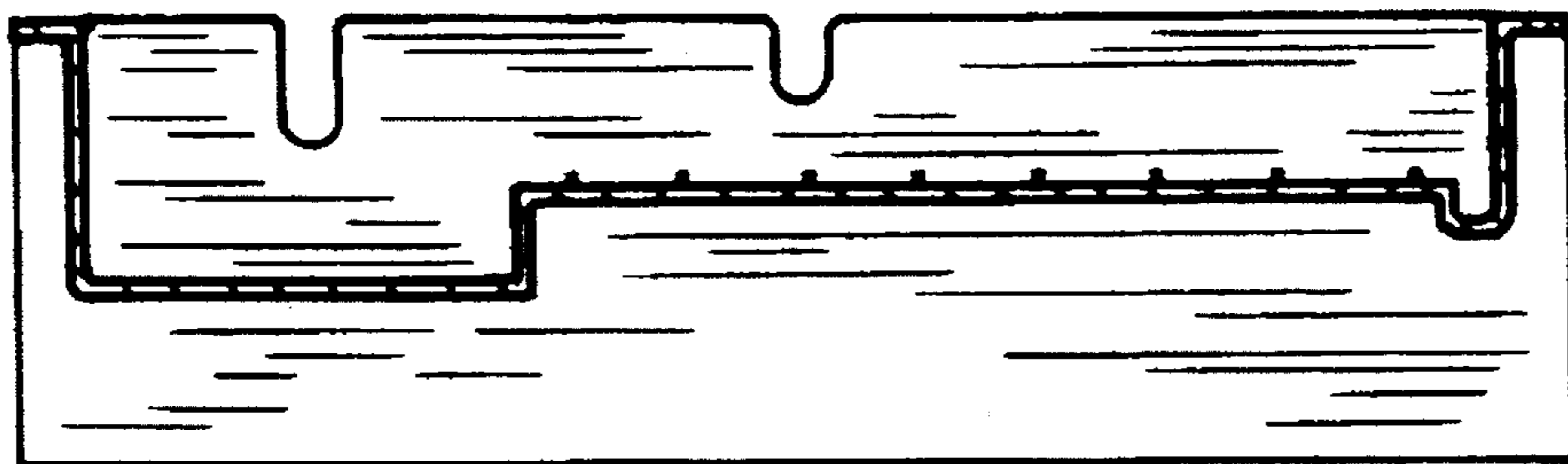


Fig. 6

