



US00D371875S

# United States Patent [19]

[11] Patent Number: **Des. 371,875**

Parker et al.

[45] Date of Patent: **\*\*Jul. 16, 1996**

- [54] **SWEeper HOUSING**
- [75] Inventors: **Timothy S. Parker**, Grand Rapids;  
**John J. Jailor**, Rockford; **Giovanni Pino**, Grand Rapids, all of Mich.
- [73] Assignee: **Bissell Inc.**, Grand Rapids, Mich.
- [\*\*] Term: **14 Years**
- [21] Appl. No.: **31,329**
- [22] Filed: **Nov. 22, 1994**

- 4,007,508 2/1977 Ooyachi .
- 4,102,000 7/1978 Liebscher et al. .
- 4,207,641 6/1980 Liebscher et al. .
- 4,263,689 4/1981 Liebscher et al. .
- 4,484,371 11/1984 Pätzold et al. .
- 4,498,207 2/1985 Rosendall ..... 15/44.1
- 4,646,380 3/1987 Kobayashi et al. .
- 4,878,261 11/1989 Rosendall .

### FOREIGN PATENT DOCUMENTS

- 2377905 1/1978 France .
- 1282257 11/1968 Germany .
- 2135869 9/1984 United Kingdom .

### Related U.S. Application Data

- [63] Continuation of Ser. No. 28,012, Sep. 2, 1994.
- [52] **U.S. Cl.** ..... **D32/38**
- [58] **Field of Search** ..... D32/38, 35, 39,  
D32/15, 17, 21, 22, 24, 18, 19, 31, 32,  
33; 15/41.1, 42, 43, 44, 45, 46, 47, 48,  
48.1, 48.2

### OTHER PUBLICATIONS

Promotional Material regarding "Rubermid Lobby Dustpan," undated, published by Rubbermaid Commercial Products, Inc.

*Primary Examiner*—A. Hugo Word  
*Assistant Examiner*—Cynthia Ramirez  
*Attorney, Agent, or Firm*—Varnum, Riddering, Schmidt & Howlett

### [56] References Cited

#### U.S. PATENT DOCUMENTS

- D. 91,705 3/1934 Cummings ..... 15/41.1 X
- D. 173,907 1/1955 Lambert ..... D32/22
- D. 210,241 2/1968 Andeson ..... D32/38
- D. 249,349 9/1978 Wareham ..... D32/32
- D. 256,878 9/1980 Kubota et al. .
- D. 262,708 1/1982 Essex ..... D32/21
- D. 269,558 6/1983 Essex ..... D32/22
- D. 285,735 9/1986 Hanyu .
- D. 293,142 12/1987 Boice .
- D. 317,067 5/1991 Kuroda .
- D. 321,961 11/1991 Ishii et al. .
- D. 342,812 12/1993 Reath ..... D32/31 X
- D. 346,470 4/1994 Zahuranec et al. .... D32/38
- D. 349,793 8/1994 Zahuranec et al. .... D32/38
- D. 352,809 11/1994 Reath ..... D32/31
- 2,206,429 7/1940 Redfeam .
- 2,235,432 3/1941 Kenyon .
- 2,371,918 3/1945 Rubin .
- 2,502,403 3/1950 Kircher .
- 2,611,913 9/1952 Buquor .
- 2,689,367 9/1954 Parker .
- 3,268,936 8/1966 Fukubu .
- 3,772,726 11/1973 Kupperman et al. .

### [57] CLAIM

The ornamental design for a sweeper housing, as shown and described.

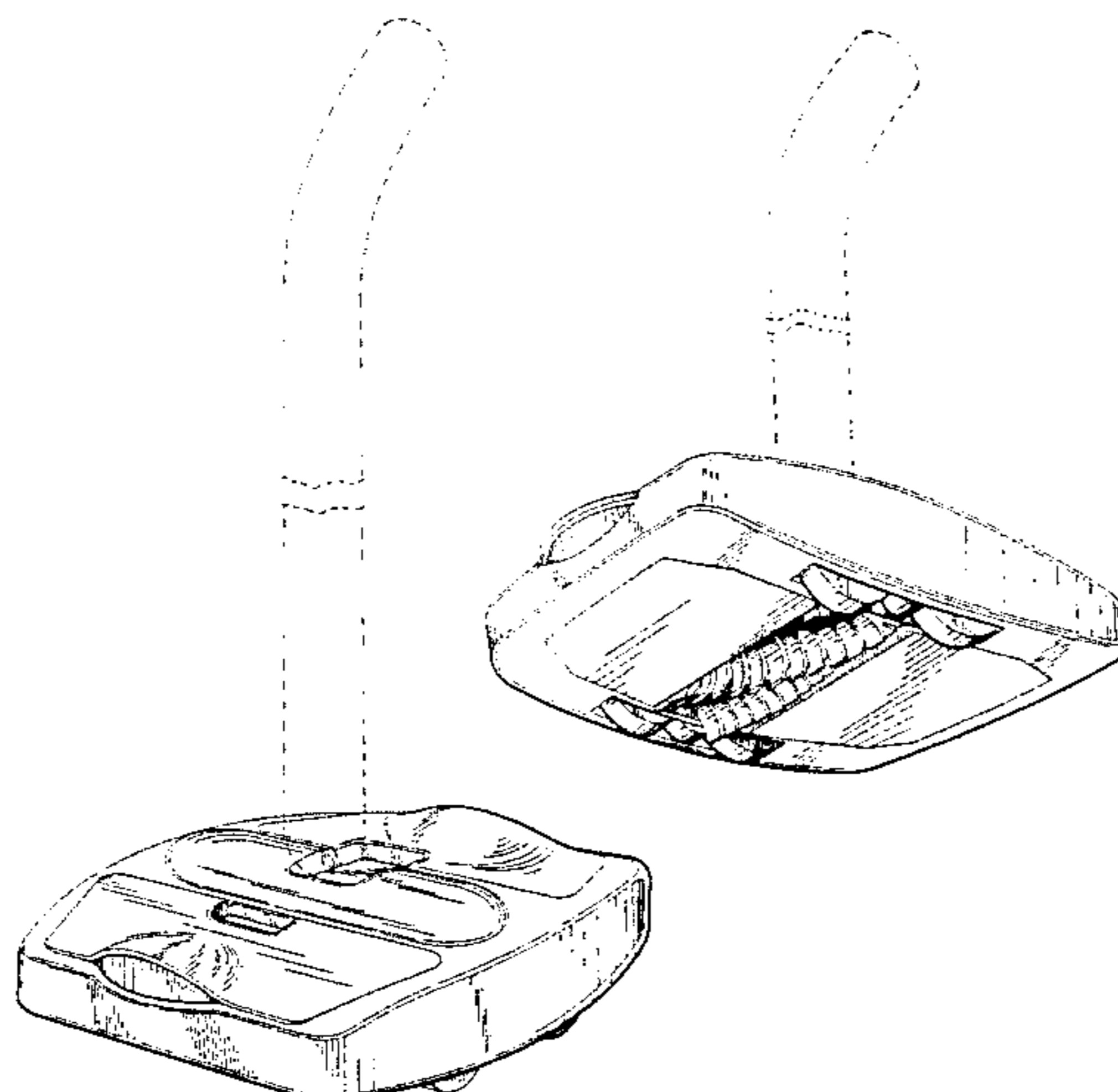
### DESCRIPTION

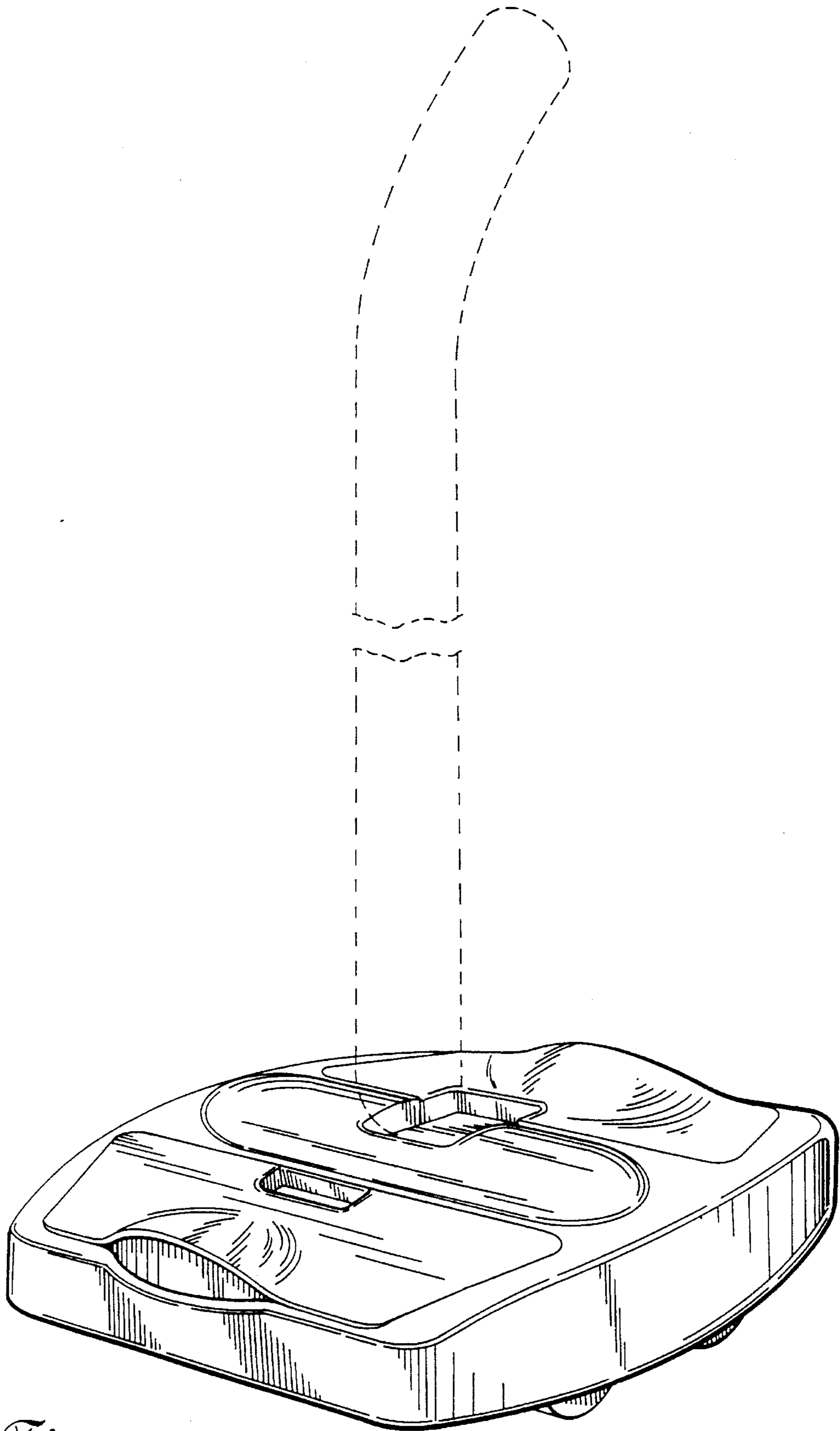
FIG. 1 is a perspective view of a sweeper housing which embodies our design;  
 FIG. 2 is a front elevational view thereof;  
 FIG. 3 is a rear elevational view;  
 FIG. 4 is a left side elevational view thereof, the right side elevational view thereof being a mirror image thereof;  
 FIG. 5 is a top plan view thereof;  
 FIG. 6 is a bottom plan view thereof; and,  
 FIG. 7 is a bottom perspective view thereof.

The broken line showing of the handle in FIGS. 1-4 is for illustrative purposes only and forms no part of the claimed design.

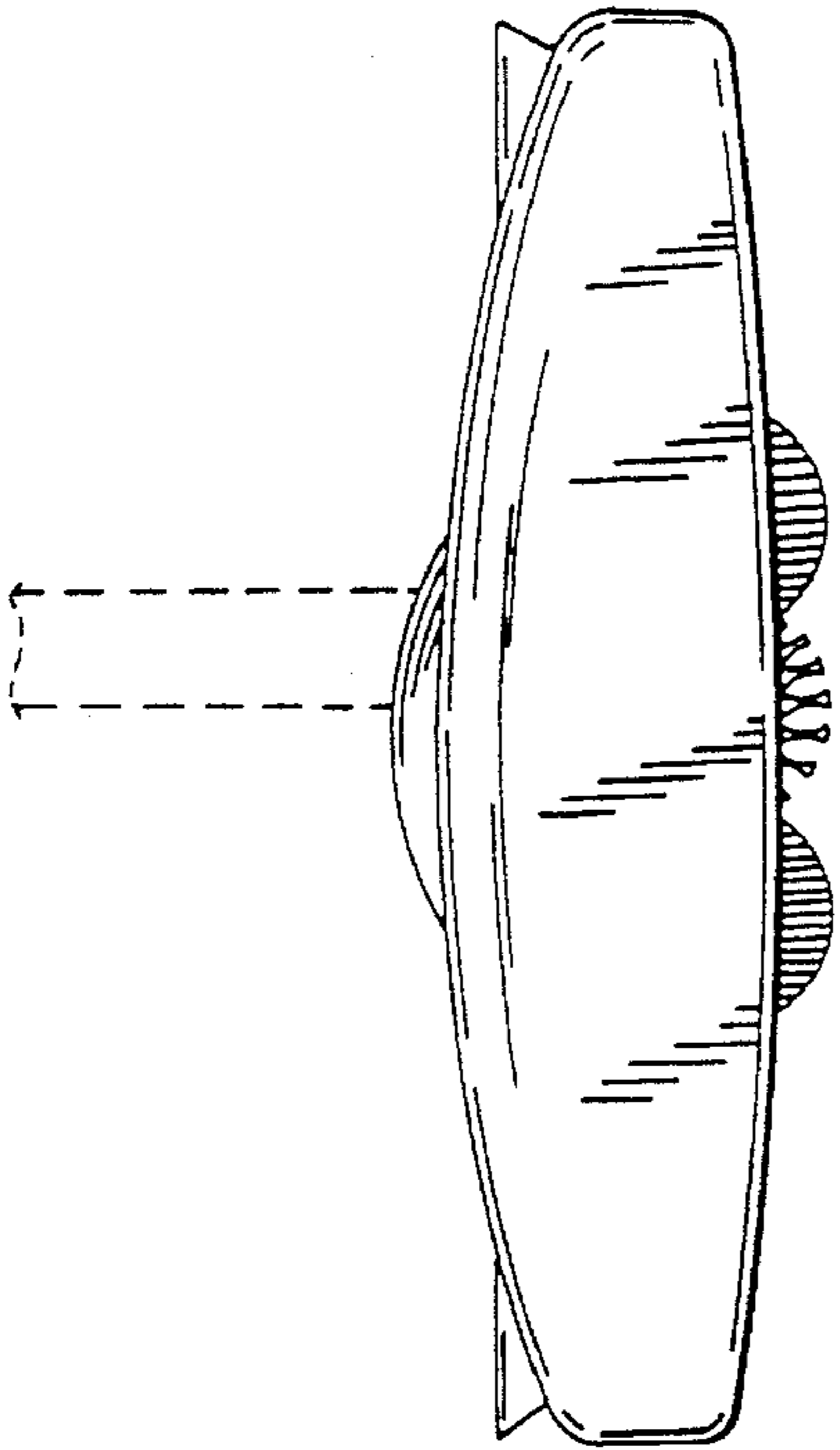
The broken line showing of the handle in FIGS. 1-4 and 7 is for illustrative purposes only and forms no part of the claimed design.

1 Claim, 4 Drawing Sheets

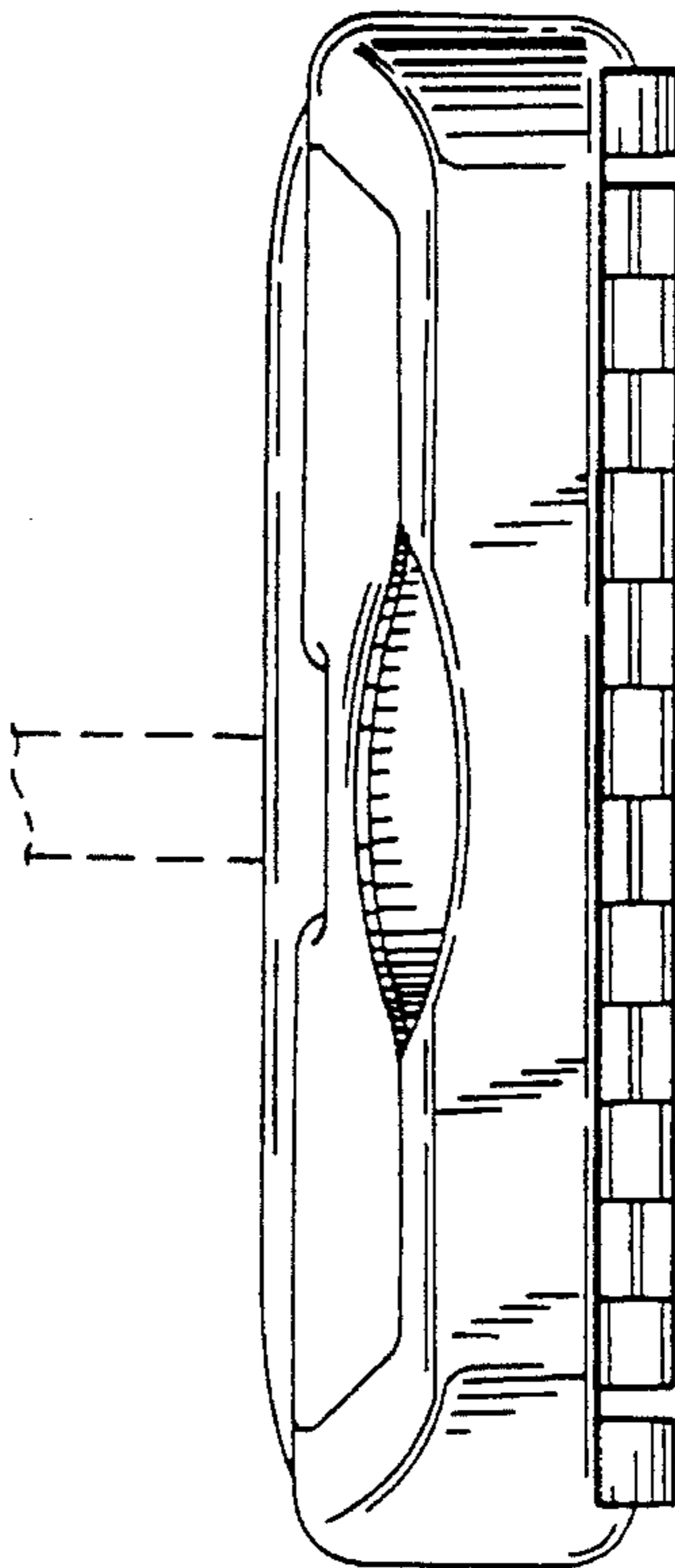




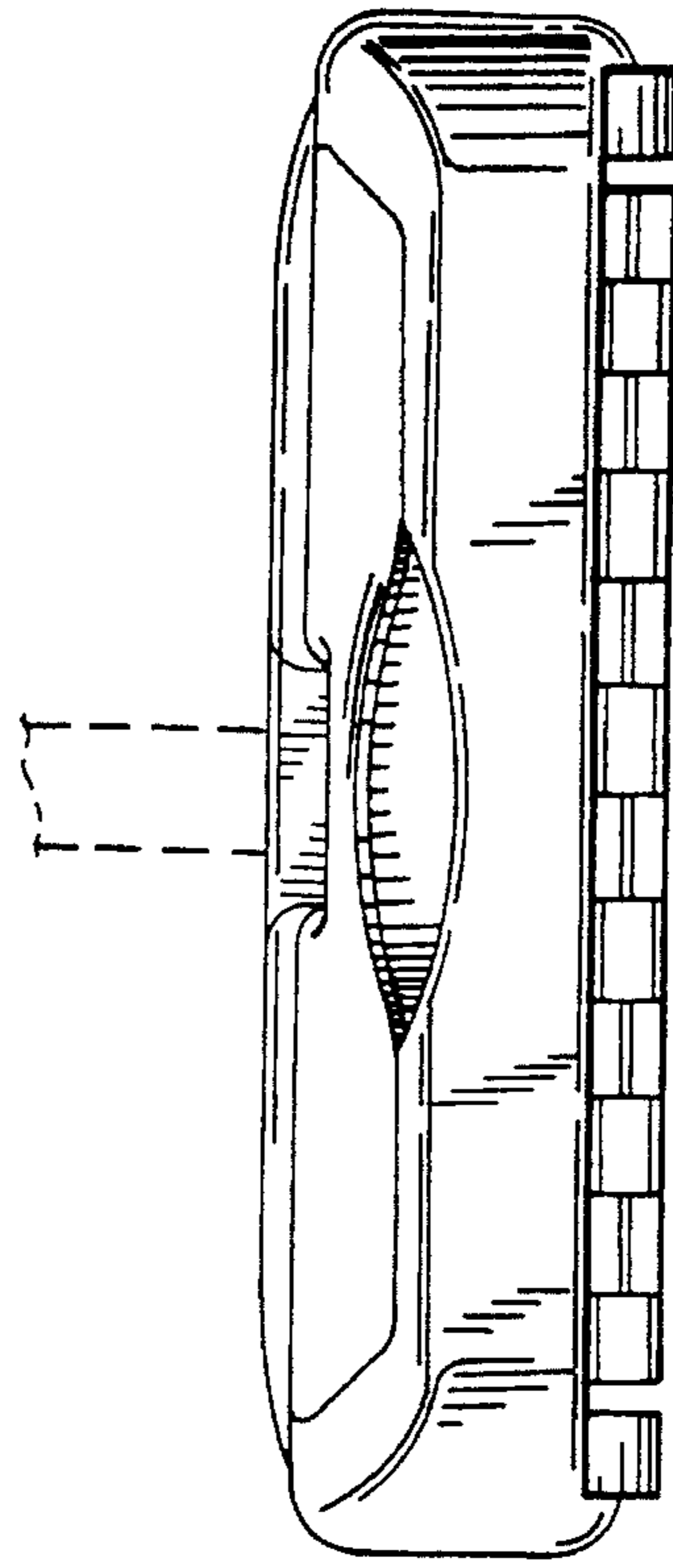
*Fig. 1*



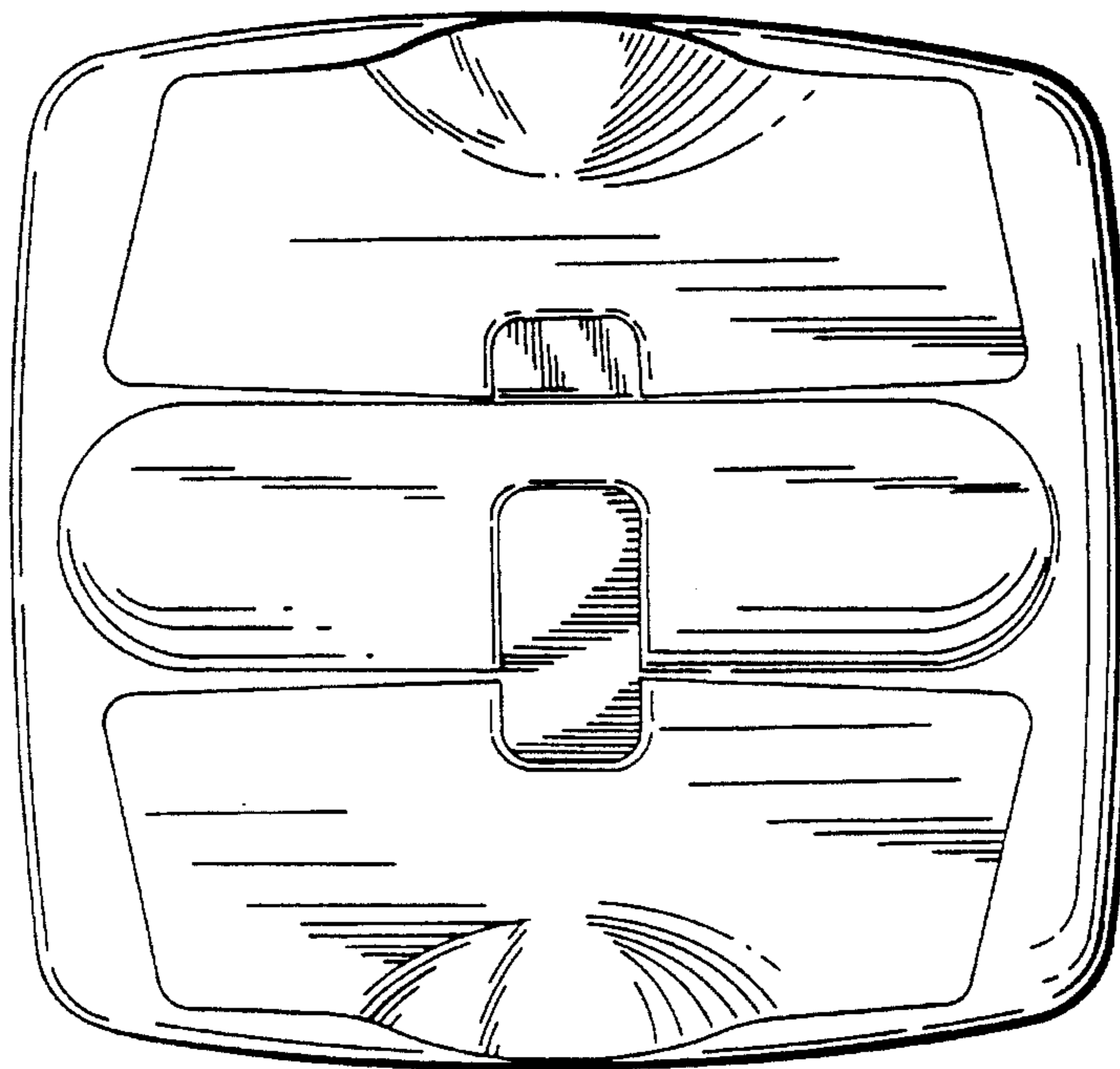
*Fig. 4*



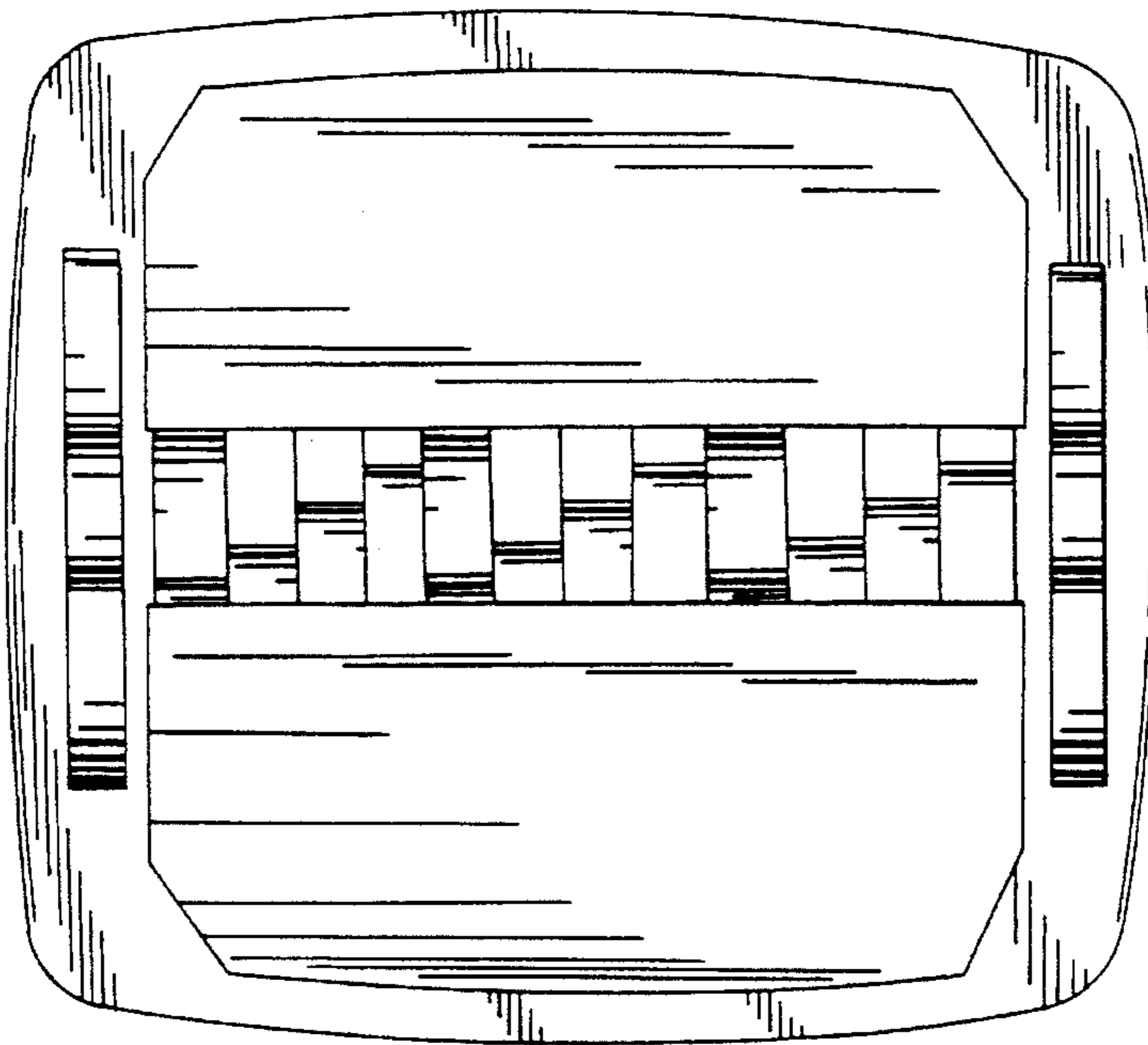
*Fig. 2*



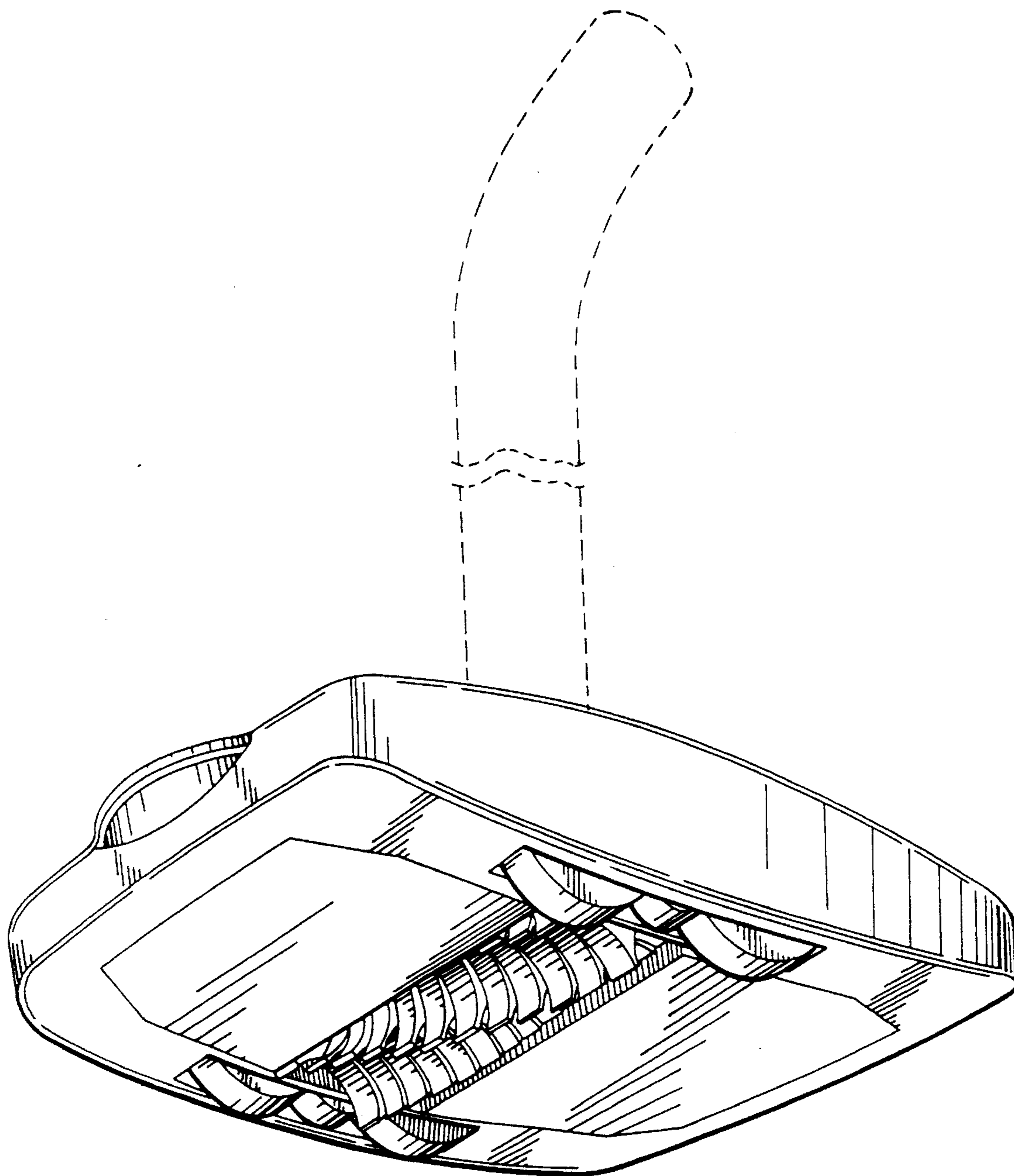
*Fig. 3*



*Fig. 5*



*Fig. 6*



*Fig. 7*