



US00D371874S

**United States Patent** [19]  
**Miller**

[11] **Patent Number: Des. 371,874**  
[45] **Date of Patent: \*\*Jul. 16, 1996**

[54] **COMBINED PORTABLE ABRASIVE  
CONDITIONING AND CLEANING MACHINE**

[75] Inventor: **David B. Miller**, Advance, N.C.

[73] Assignee: **Ingersoll-Rand Company**, Woodcliff  
Lake, N.J.

[\*\*] Term: **14 Years**

[21] Appl. No.: **37,619**

[22] Filed: **Apr. 17, 1995**

**Related U.S. Application Data**

[62] Division of Ser. No. 13,878, Oct. 5, 1993.

[52] **U.S. Cl.** ..... **D32/1**

[58] **Field of Search** ..... **D32/1, 15, 16;**  
**15/3.5; 451/75, 87, 88, 89, 92, 99, 100**

[56] **References Cited**

**U.S. PATENT DOCUMENTS**

D. 196,958	11/1963	Goodrich	.....	D32/1
D. 239,048	3/1976	Hewett	.....	D32/1
D. 349,790	8/1994	Hoover	.....	D32/15
D. 361,177	8/1995	Hoover	.....	D32/15
1,987,649	1/1935	Wertz	.....	D32/1
3,432,969	3/1969	Byttebier	.....	451/99
3,611,639	10/1971	Ashworth	.....	451/100
4,951,428	8/1990	Stromdahl	.....	451/99
4,993,200	2/1991	Morioka et al.	.....	451/99
5,099,619	3/1992	Rose	.....	451/99
5,212,911	5/1993	Benson	.....	451/100
5,269,424	12/1993	Lyras	.....	451/88
5,433,653	7/1995	Friess	.....	451/99
5,439,411	8/1995	Griffin	.....	451/92

**FOREIGN PATENT DOCUMENTS**

2724318	11/1978	Germany	.....	451/100
1274878	12/1986	Japan	.....	451/92
42139082	11/1984	United Kingdom	.....	15/3.5
2139082	11/1984	United Kingdom	.....	15/3.5

**OTHER PUBLICATIONS**

Alpha 20R, IPEC Advanced Systems, Inc., Nov. 1992.  
ECS C1,C2,C4,C8, Environmental Containment Systems,  
Inc., Nov. 1992.  
Mars Model CRS-25, Clemco Industries Corp; Nov. 1992.  
BME Machine, Blast Master Equipment, Inc.; Nov. 1992.  
Total Blasting and Vacuum Recovery Systems, Key Houston  
Division, Bulletin 109; Nov. 1992.

*Primary Examiner*—Cathy Anne MacCormac  
*Attorney, Agent, or Firm*—Michael M. Gnibus

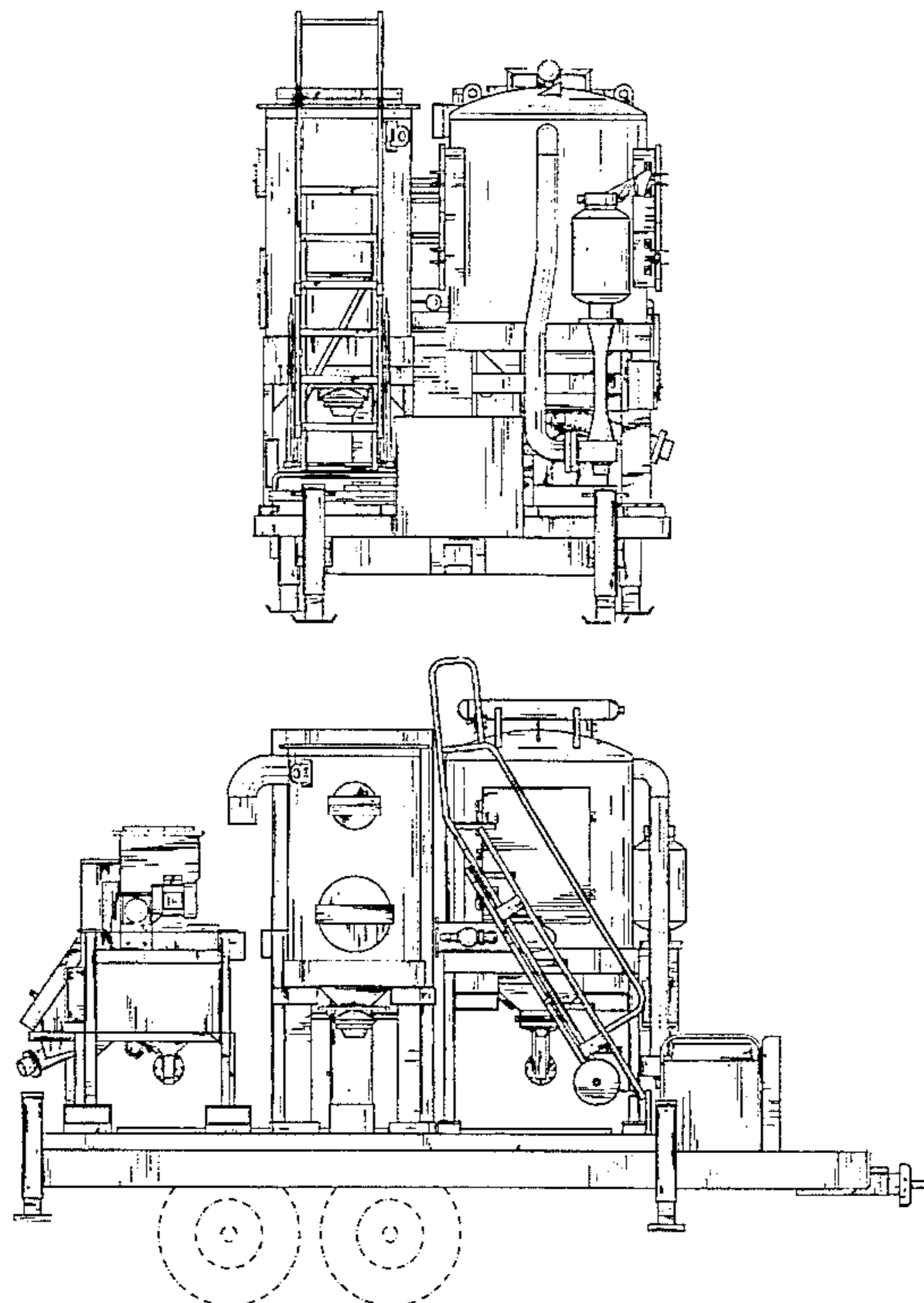
[57] **CLAIM**

The ornamental design for a combined portable abrasive  
conditioning and cleaning machine, as shown and described.

**DESCRIPTION**

FIG. 1 is a front elevational view of a combined portable  
abrasive conditioning and cleaning machine; showing my  
new design;  
FIG. 2 is a rear side view thereof;  
FIG. 3 is a left view thereof;  
FIG. 4 is a right view thereof;  
FIG. 5 is a top view thereof; and,  
FIG. 6 is a bottom view thereof.  
The broken lines are for purposes of illustration and form no  
part of the claimed design.

**1 Claim, 5 Drawing Sheets**



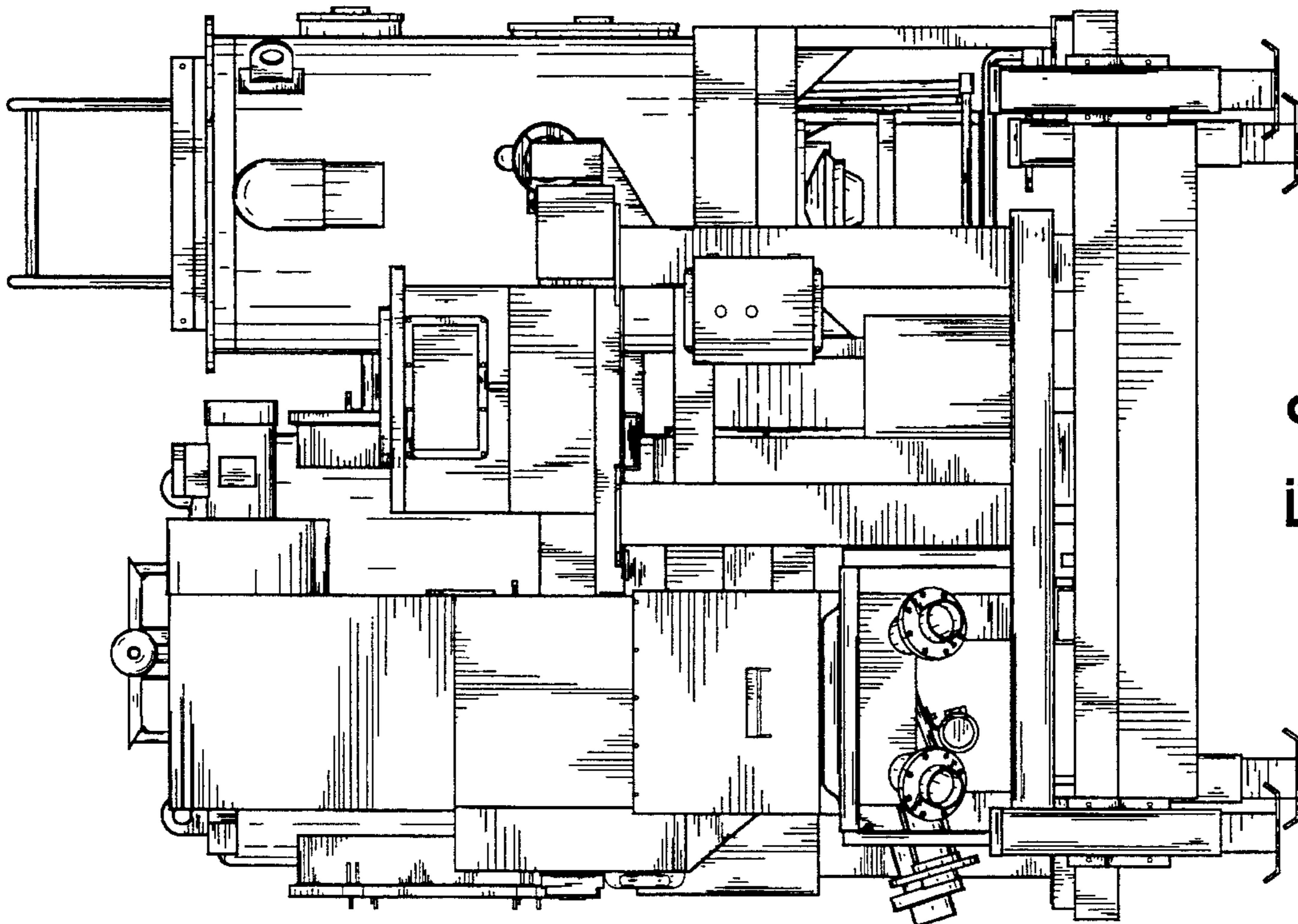


Fig.2

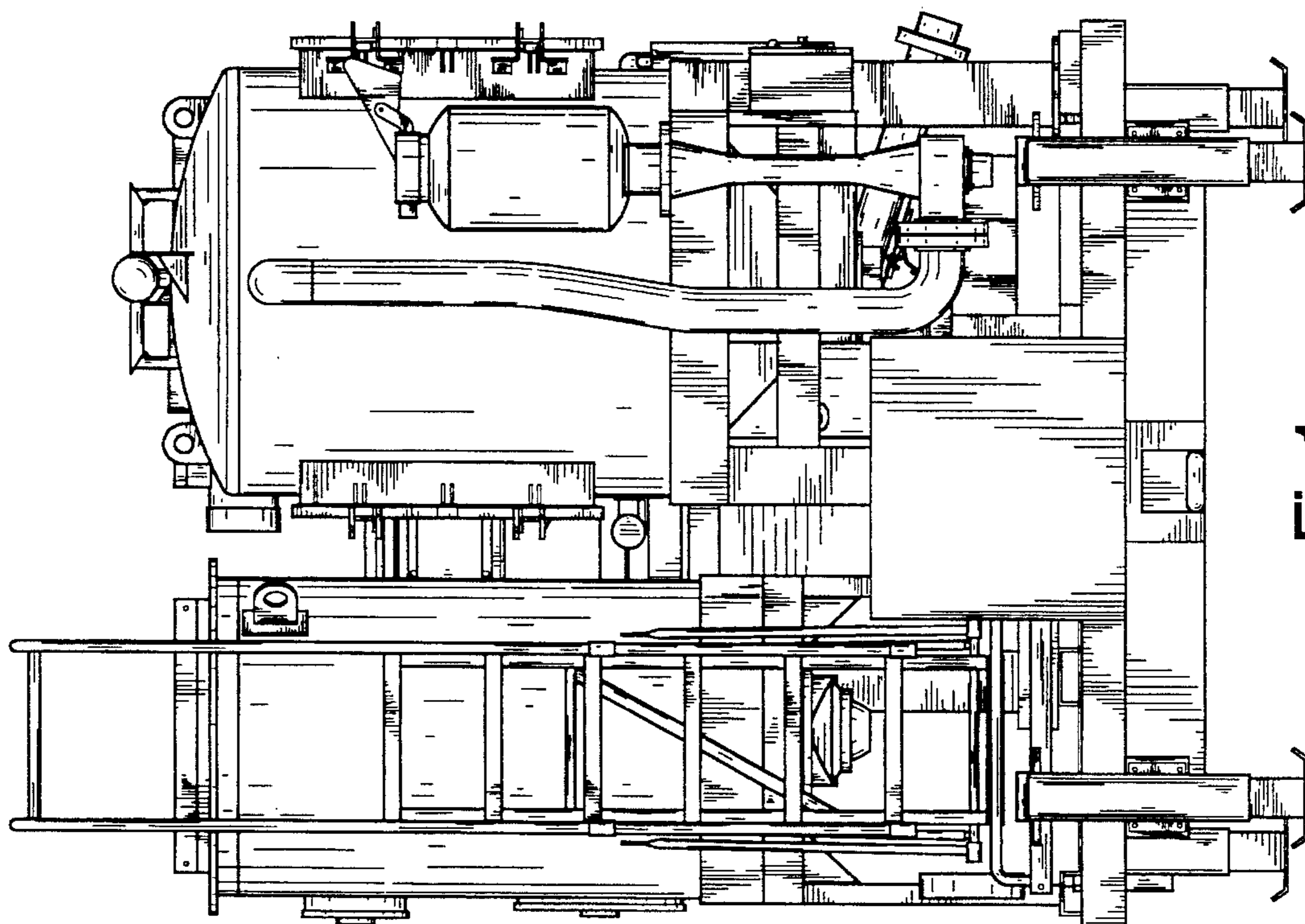


Fig.1

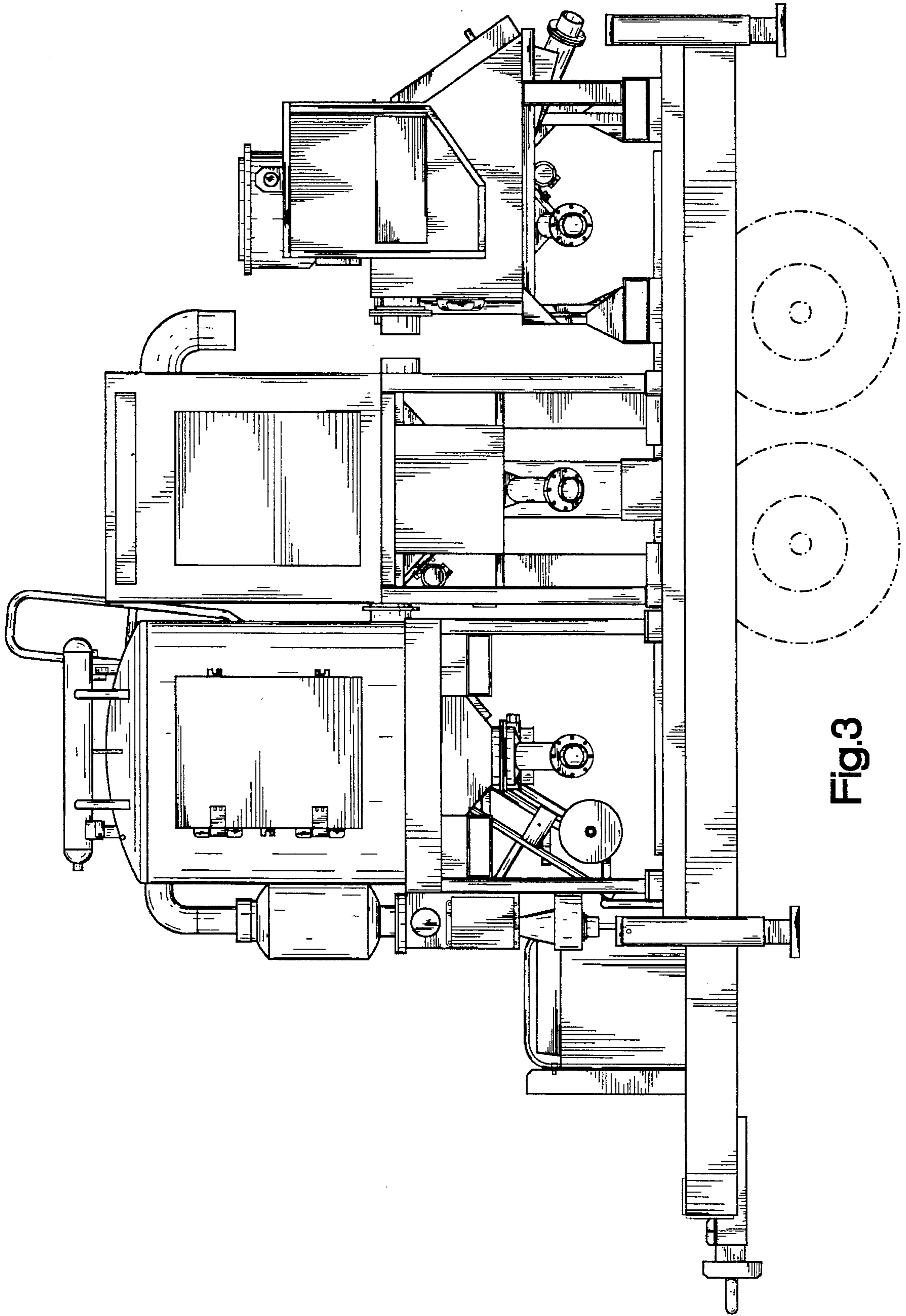


Fig.3



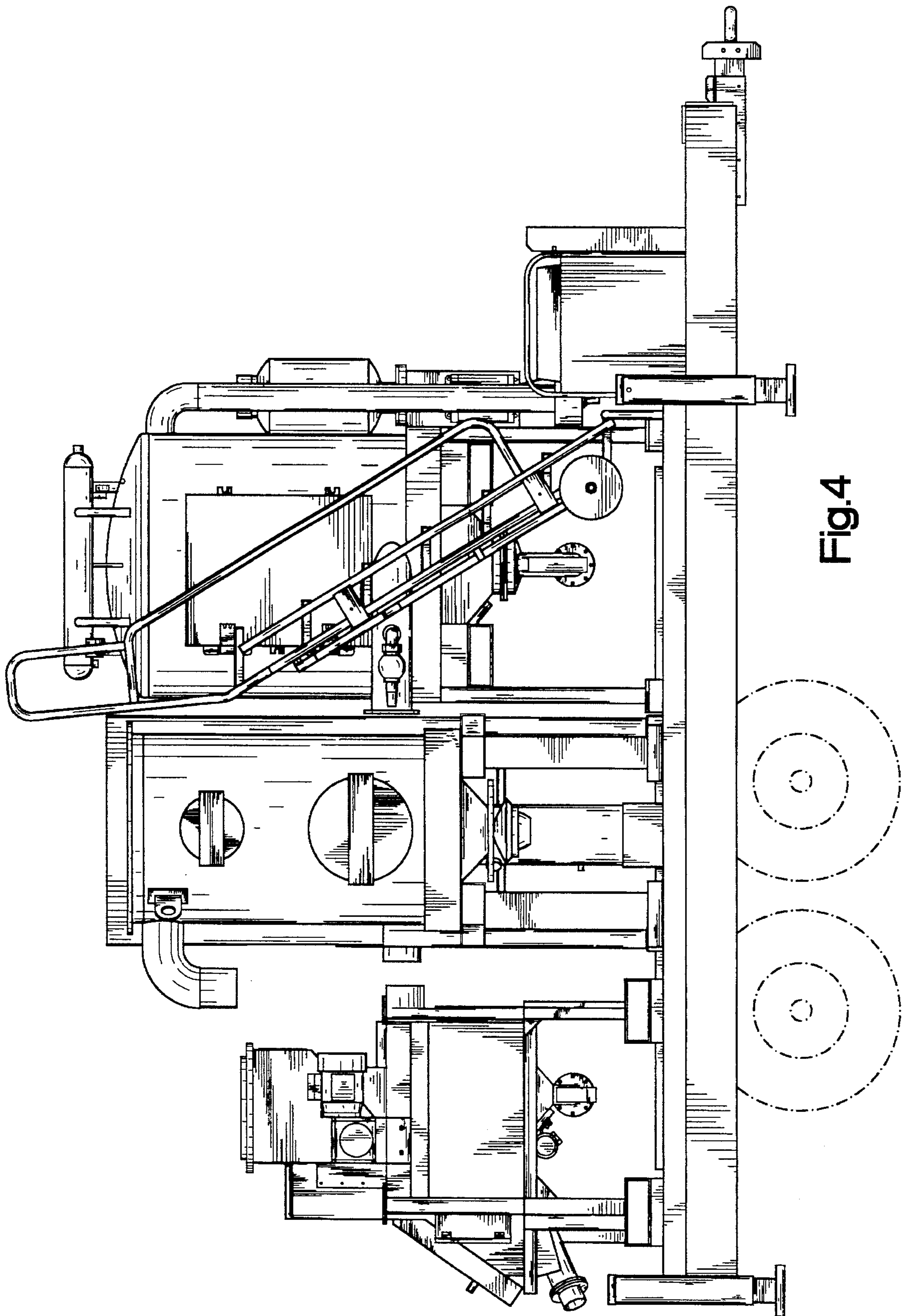


Fig.4

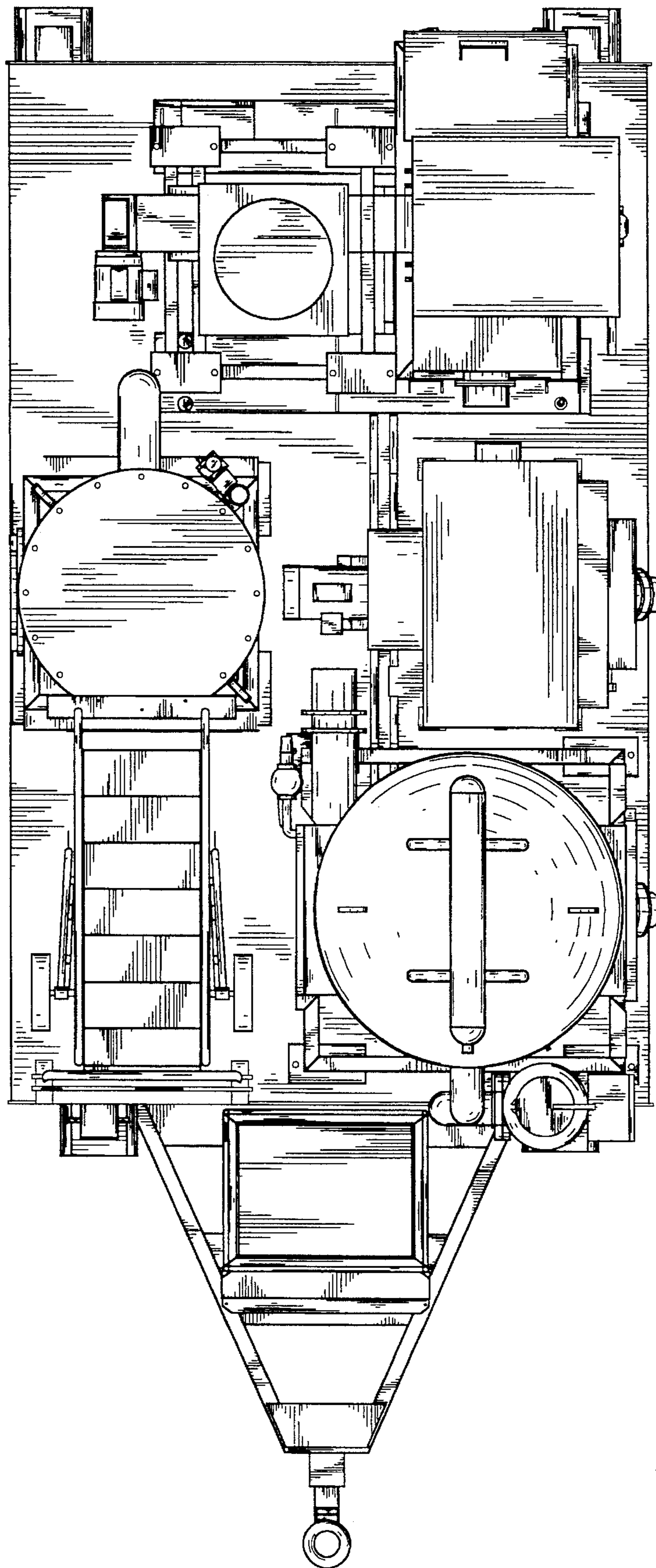


Fig.5

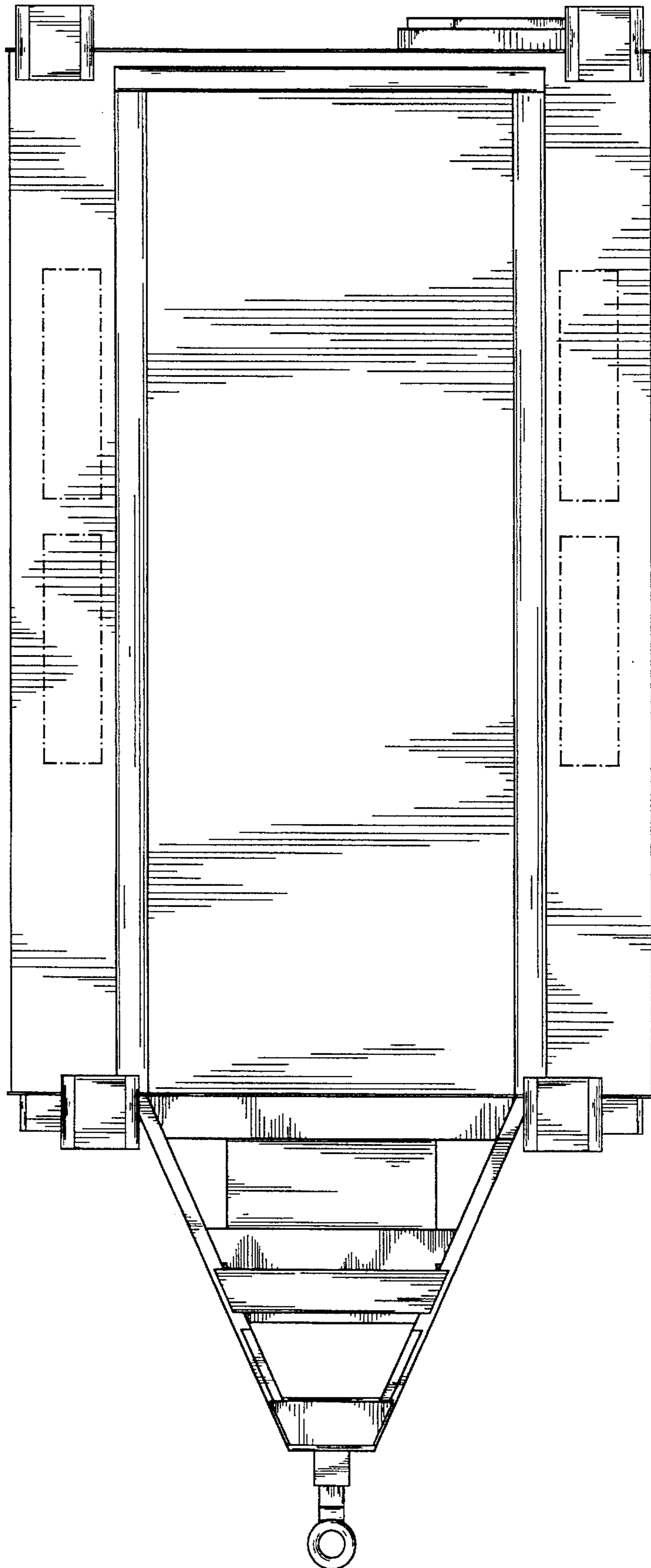


Fig.6