



US00D371871S

# United States Patent [19]

Allamby

[11] Patent Number: **Des. 371,871**

[45] Date of Patent: **\*\*Jul. 16, 1996**

[54] **ANIMAL RESTRAINER**  
[75] Inventor: **David E. Allamby**, Leeds, England  
[73] Assignee: **Shepherds Mate Products Limited**,  
Leeds, England

D. 241,256 8/1976 Hodges ..... D30/158  
D. 269,556 6/1983 Studley et al. .... D30/154  
3,120,836 2/1964 Brauning ..... 119/756  
4,570,577 2/1986 Bellinger ..... 119/756 X  
5,329,882 7/1994 Hunt ..... 119/757

[\*\*] Term: **14 Years**

### FOREIGN PATENT DOCUMENTS

376982 1/1978 U.S.S.R. .... 119/756

[21] Appl. No.: **39,881**

*Primary Examiner*—Martie Thompson  
*Attorney, Agent, or Firm*—Oliff & Berridge

[22] Filed: **Jun. 6, 1995**

### [57] CLAIM

### [30] Foreign Application Priority Data

The ornamental design for an animal restrainer, as shown.

Dec. 21, 1994 [GB] United Kingdom ..... 2044023

### DESCRIPTION

[52] U.S. Cl. .... **D30/151**

[58] Field of Search ..... D30/151, 152,  
D30/154, 199, 158; 119/756, 757, 814,  
815

FIG. 1 is a view from one side of the article the subject of my invention;

FIG. 2 is a view from the opposite side to FIG. 1;

FIG. 3 is a front view of the said article;

FIG. 4 is a back view of the said article;

FIG. 5 is a plan view of the article; and,

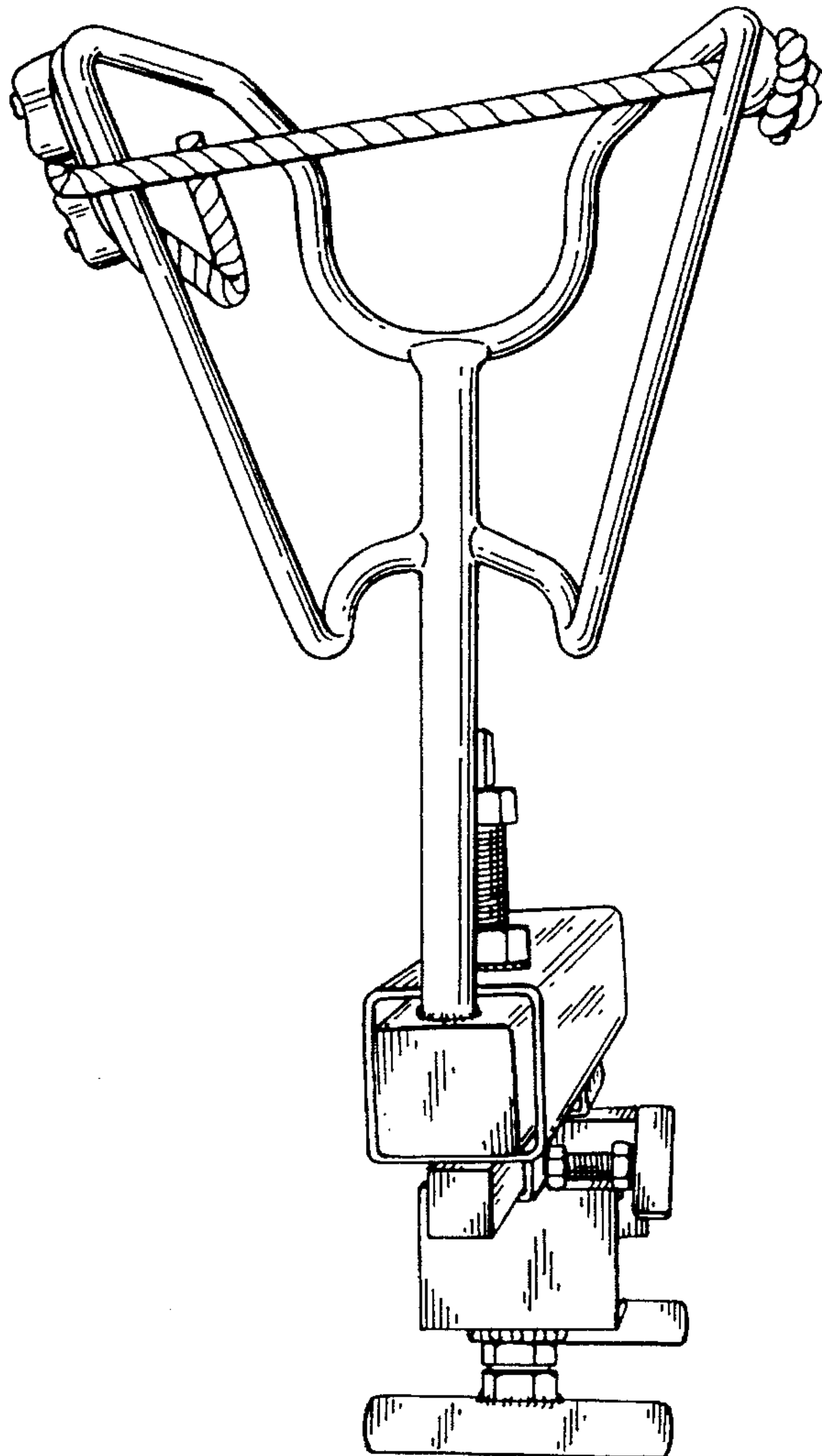
FIG. 6 is an underplan view of the article.

### [56] References Cited

#### U.S. PATENT DOCUMENTS

D. 139,673 12/1944 Bilek ..... D30/151

**1 Claim, 6 Drawing Sheets**



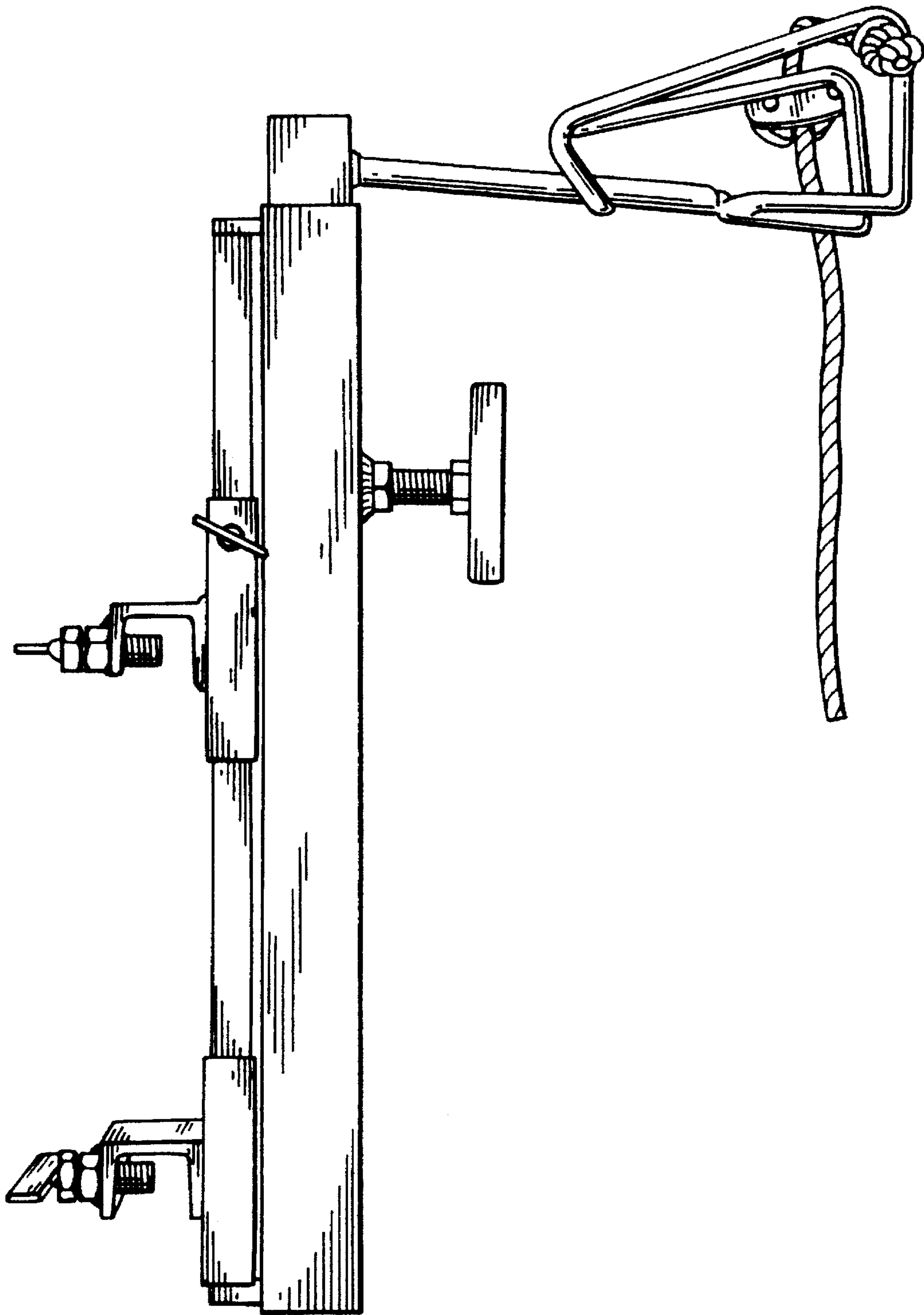


Fig. 1

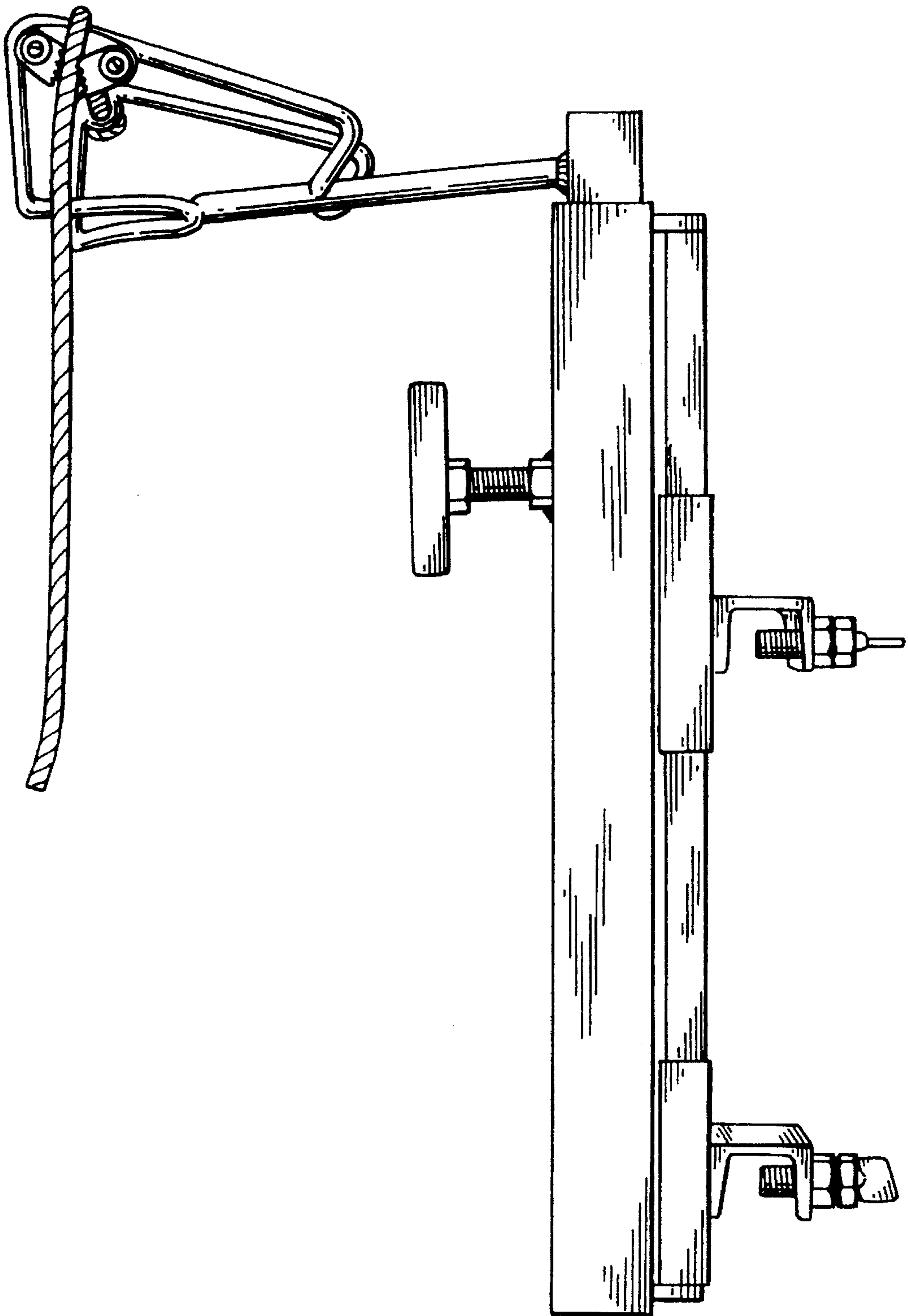


Fig. 2

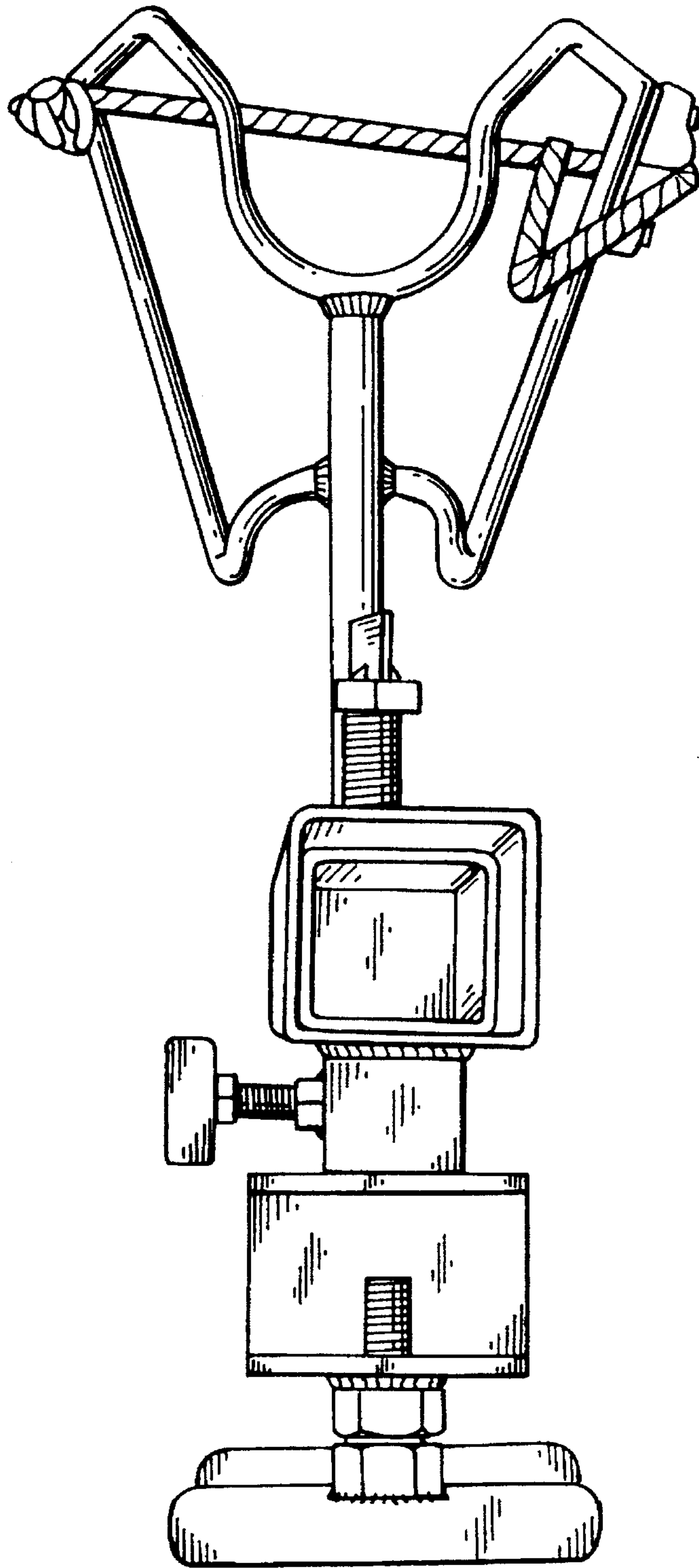


Fig. 3

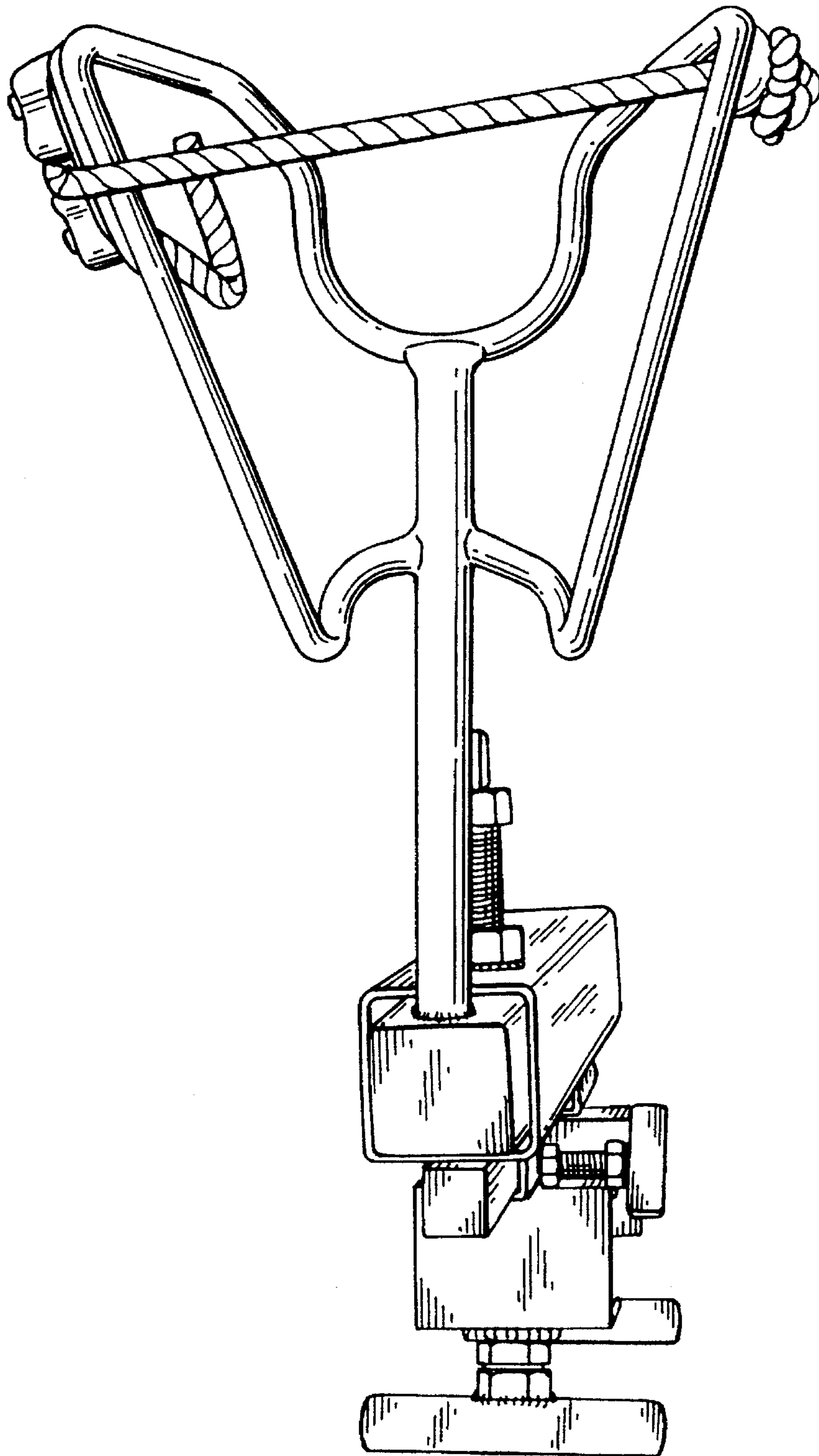


Fig. 4



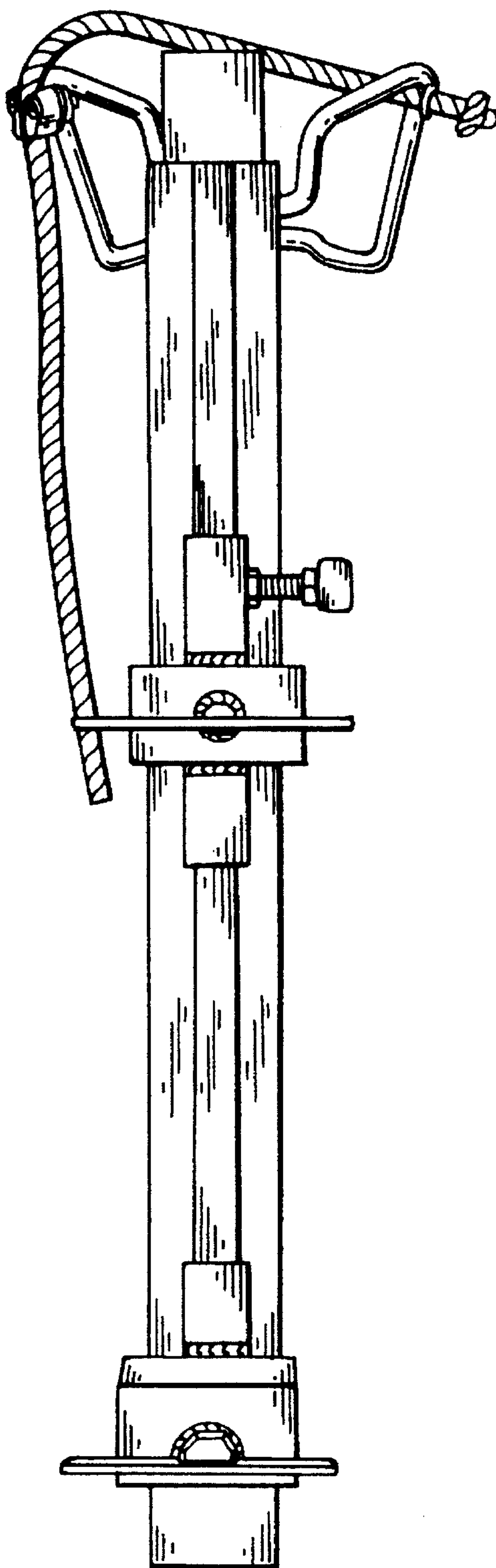


Fig. 5

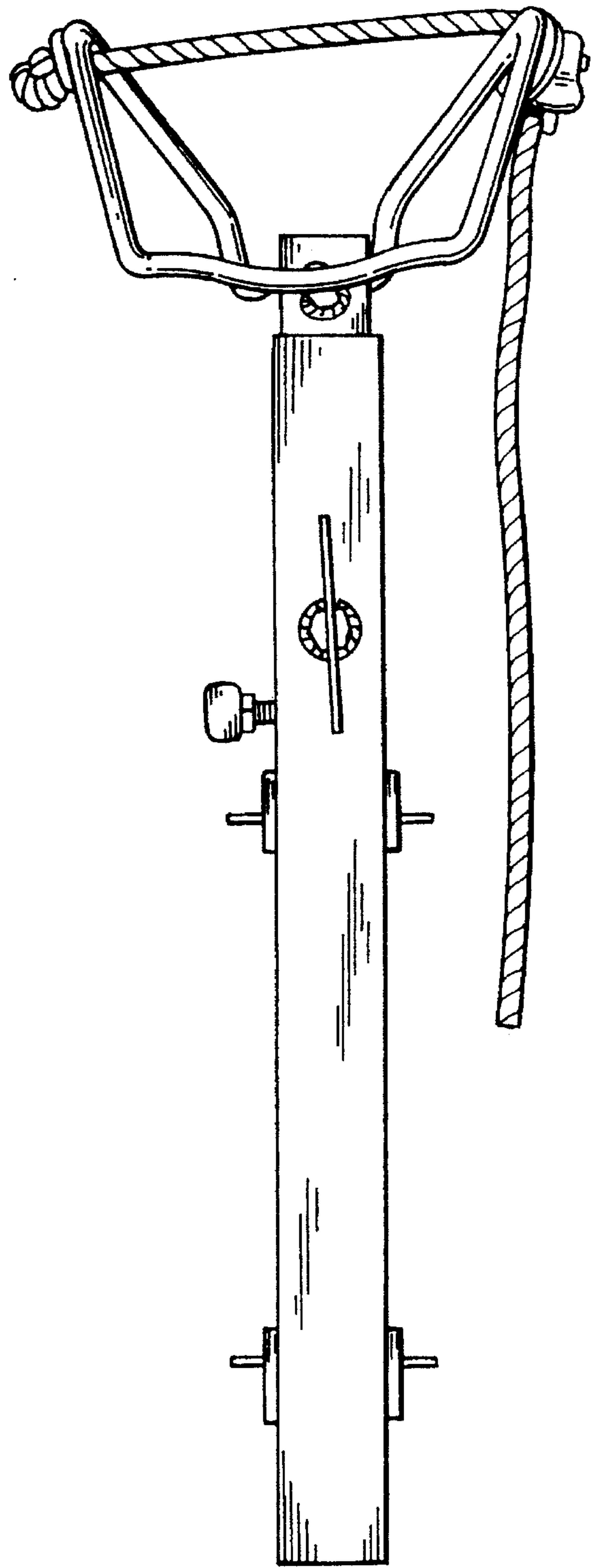


Fig. 6