

United States Patent [19]  
Sylvester

[11] Patent Number: Des. 371,870  
[45] Date of Patent: \*\*Jul. 16, 1996

[54] SADDLE RACK  
[76] Inventor: Barry W. Sylvester, 101 S. 1st St.,  
Suite 400, Burbank, Calif. 91502-1938  
[\*\*] Term: 14 Years  
[21] Appl. No.: 32,320  
[22] Filed: Dec. 15, 1994  
[52] U.S. Cl. .... D30/143; D30/134  
[58] Field of Search ..... D30/134, 135,  
D30/143; 211/13, 86, 87, 104; 248/224

3,476,255 11/1969 Ciancio ..... 211/13  
4,432,459 2/1984 Coldren ..... 211/13

Primary Examiner—Martie Thompson  
Attorney, Agent, or Firm—Wagner & Middlebrook

[57] CLAIM

The ornamental design for a saddle rack, as shown and described.

DESCRIPTION

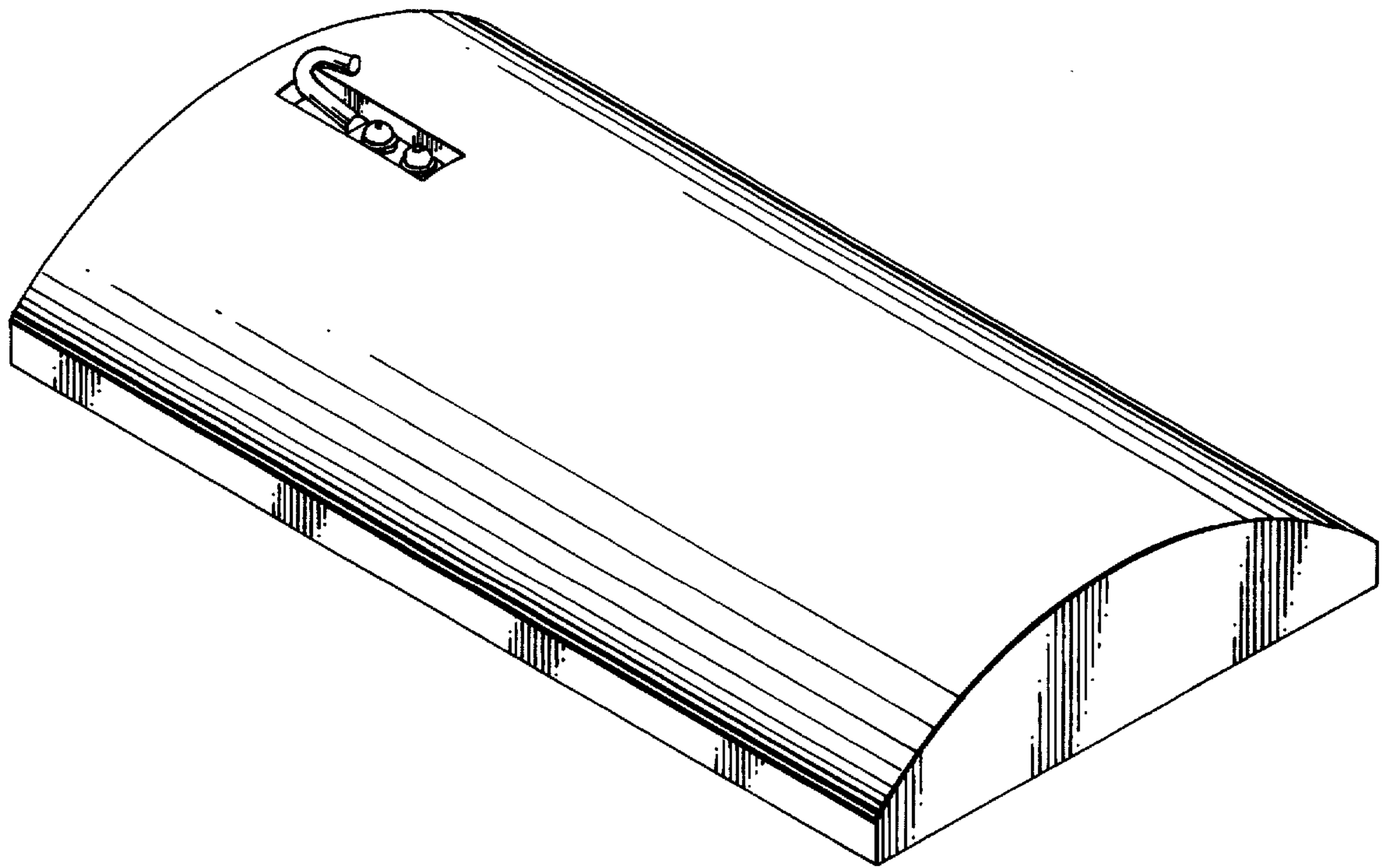
FIG. 1 is a perspective view of a saddle rack of this invention;  
FIG. 2 is a rear elevational view thereof;  
FIG. 3 is a front elevational view thereof;  
FIG. 4 is a top plan view thereof;  
FIG. 5 is a right side elevational view thereof, the left side elevational view being a mirror image thereof; and,  
FIG. 6 is a bottom plan view thereof.

[56] References Cited

U.S. PATENT DOCUMENTS

D. 277,989	3/1985	Wakat	.....	D30/143
D. 294,753	3/1988	Otterbein	.....	D30/143
D. 311,834	11/1990	Grey	.....	D30/135 X
D. 343,041	1/1994	McElhaney	.....	D30/143
2,760,746	8/1956	Botolfsen	.....	211/13 X

1 Claim, 3 Drawing Sheets



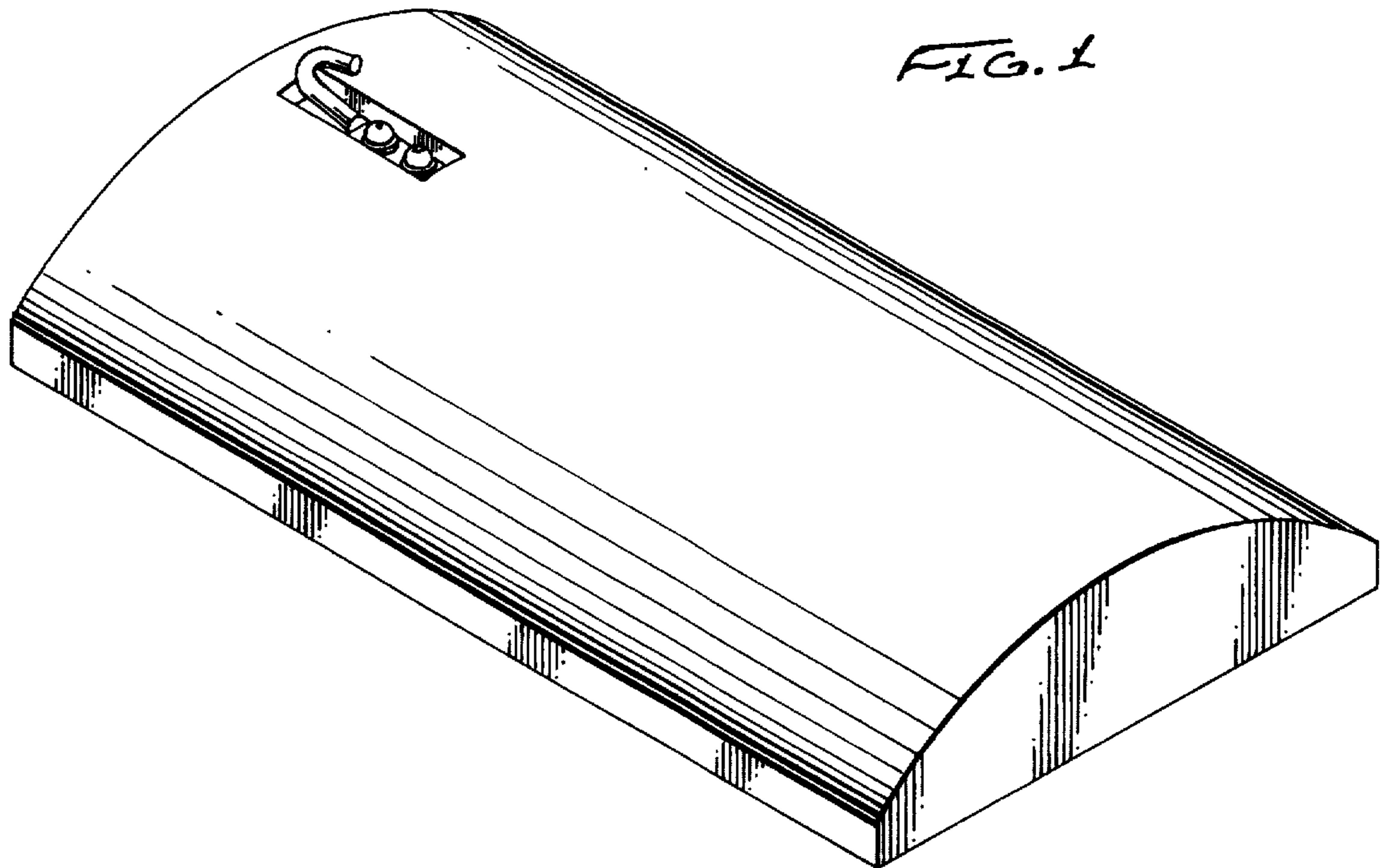


FIG. 2

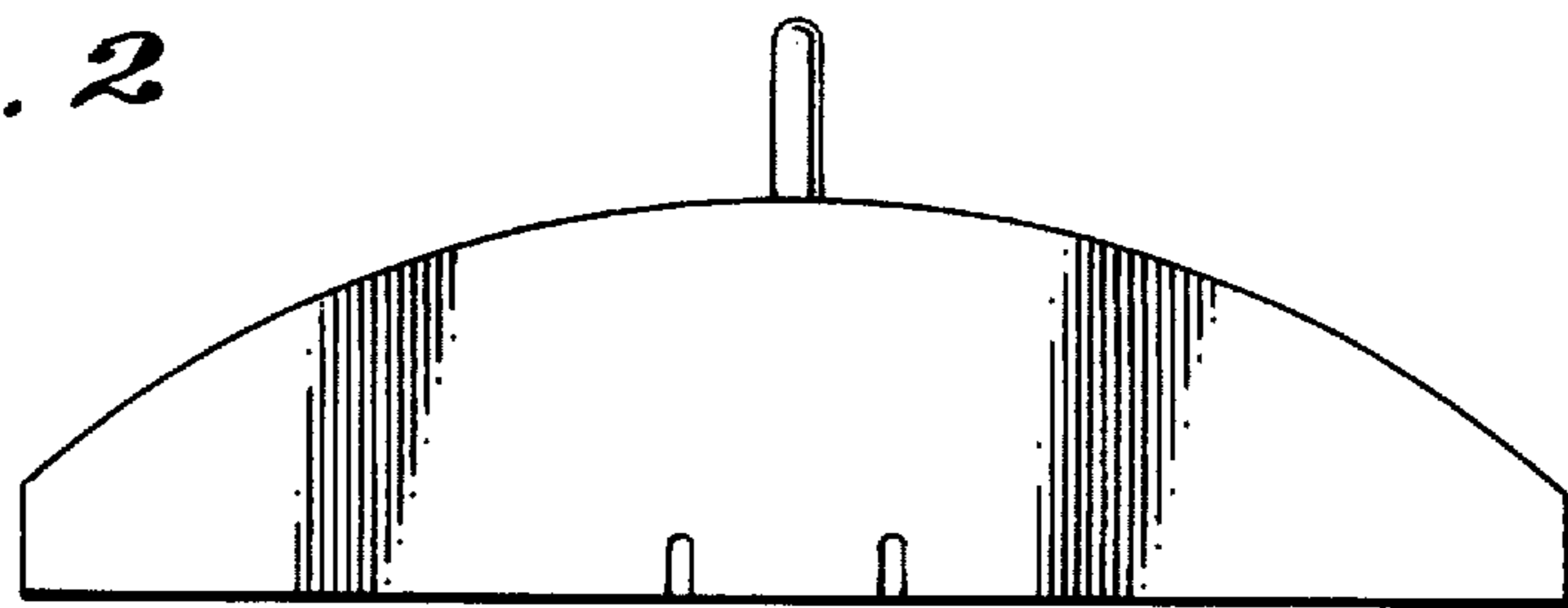
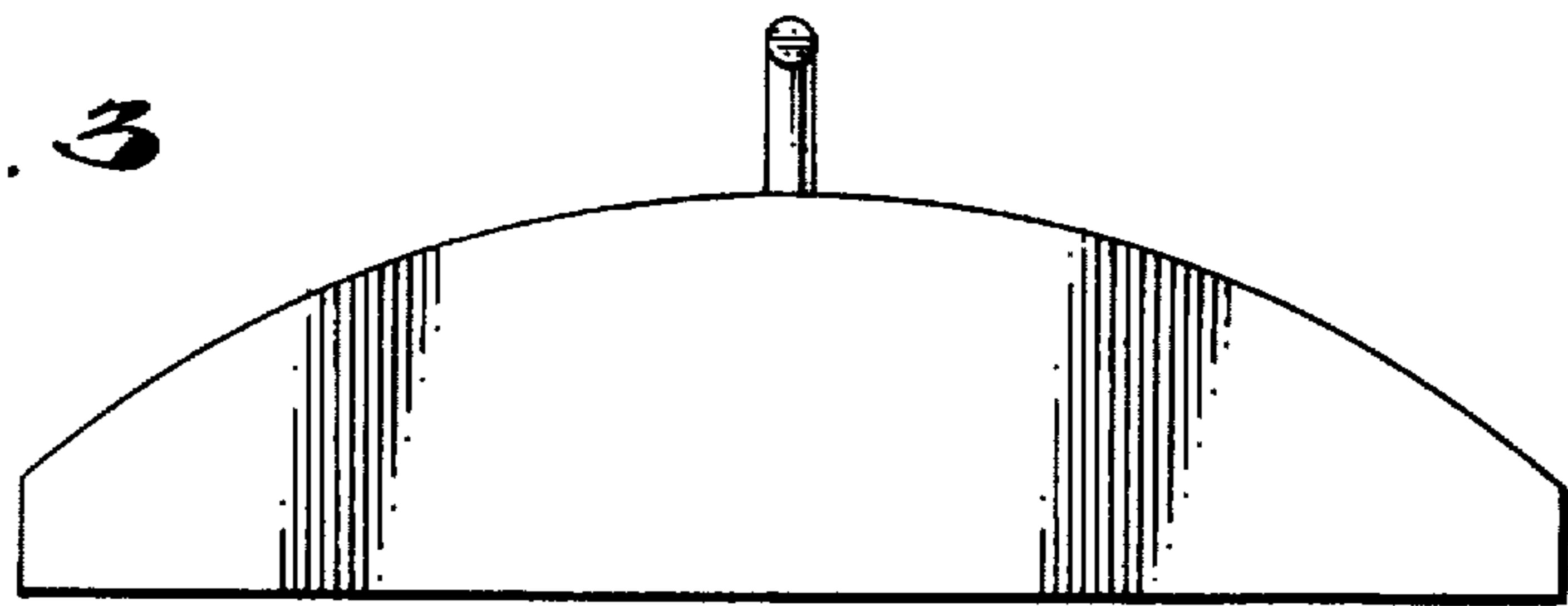


FIG. 3



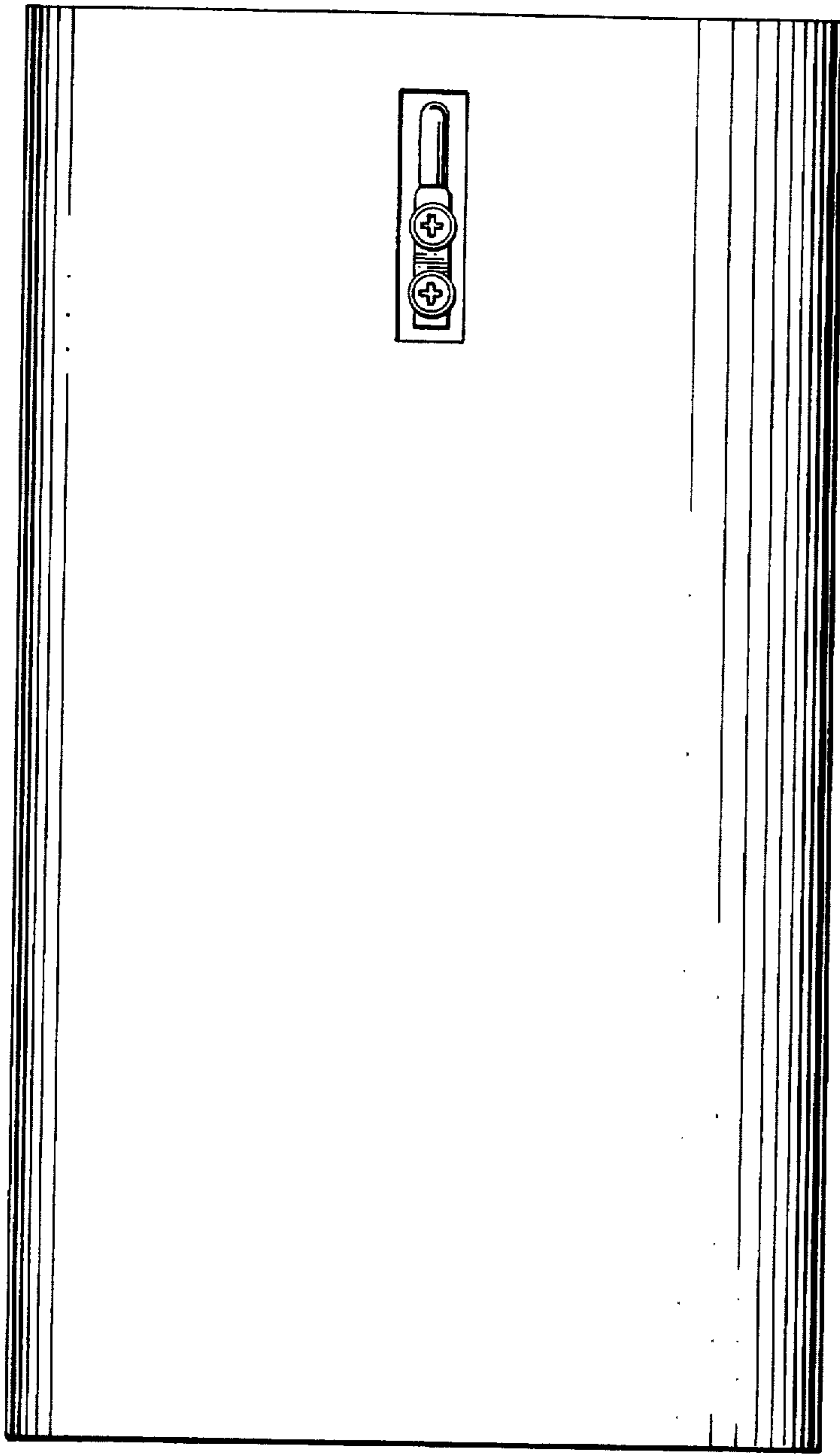


FIG. 9

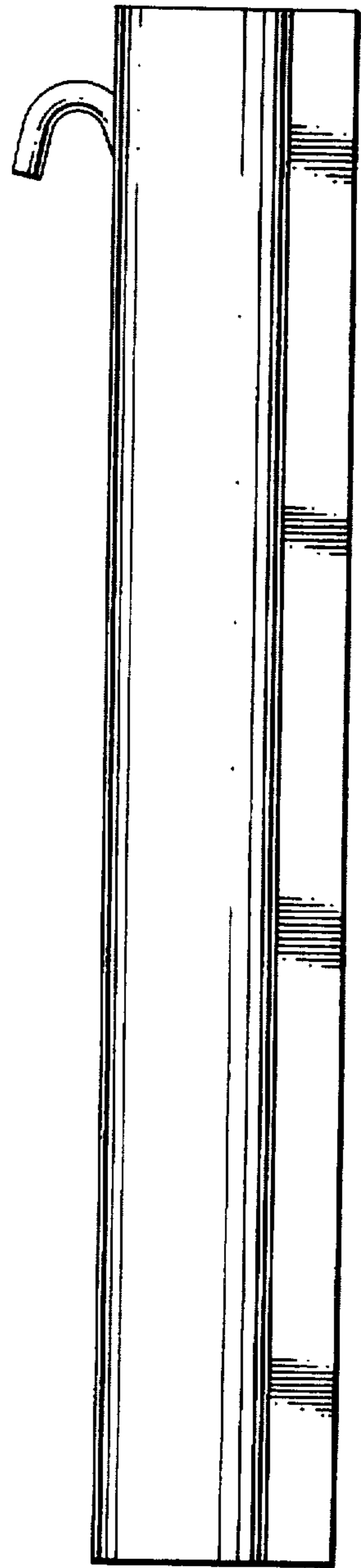


FIG. 5

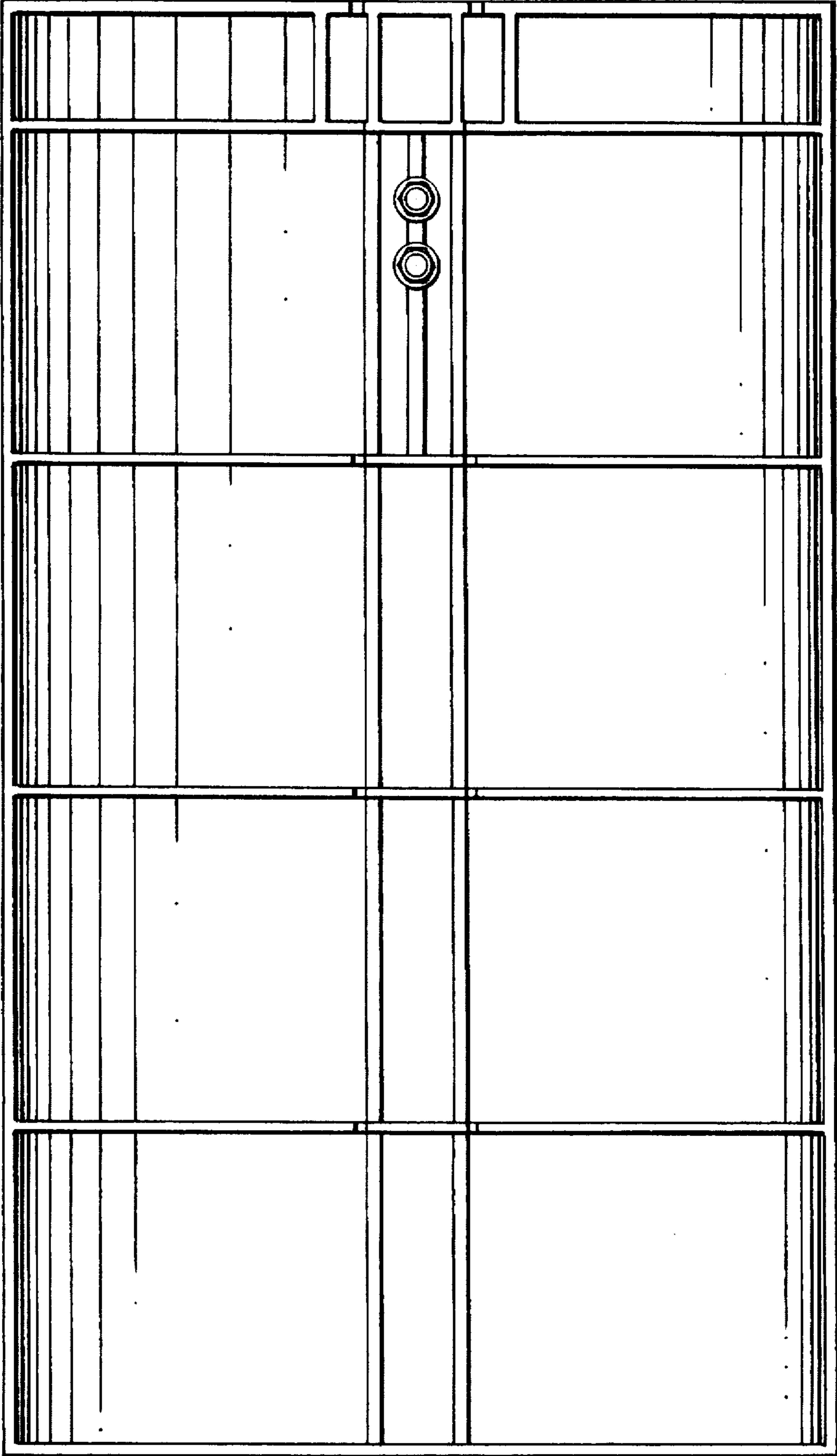


FIG. 6