



US00D371868S

United States Patent [19]

Losi, II

[11] Patent Number: **Des. 371,868**

[45] Date of Patent: ****Jul. 16, 1996**

[54] SAFETY HELMET

[75] Inventor: **Raymond H. Losi, II**, Westlake Village, Calif.

[73] Assignee: **Variflex, Inc.**, Moorpark, Calif.

[**] Term: **14 Years**

[21] Appl. No.: **40,338**

[22] Filed: **Jun. 15, 1995**

[52] U.S. Cl. **D29/102**

[58] Field of Search D29/102-107;
2/410, 411, 412, 423-425, 414

D. 348,752	7/1994	Ho .	
D. 351,684	10/1994	Jeng	D29/102
D. 352,802	11/1994	Jeng	D29/102
D. 352,803	11/1994	Sasaki et al.	D29/102
D. 362,084	9/1995	Egger	D29/102

OTHER PUBLICATIONS

Bicycling, Jul. 1988, p. 89, "Vetta Corsalite helmet—right side of page".

Primary Examiner—Ruth McInroy
Attorney, Agent, or Firm—Kelly, Bauersfeld & Lowry

[57] CLAIM

The ornamental design for a safety helmet, as shown.

DESCRIPTION

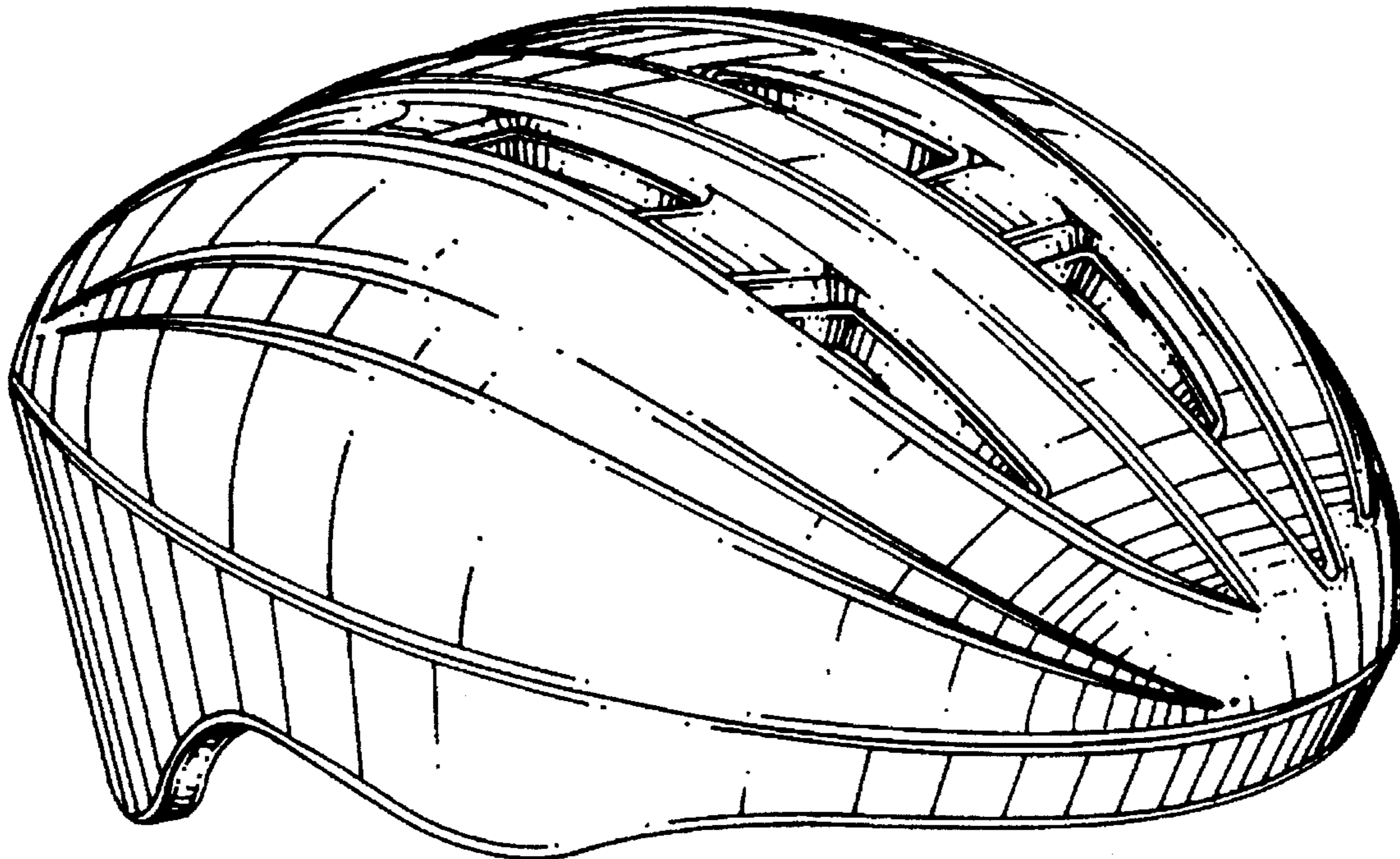
FIG. 1 is a top, front and right side perspective view of a safety helmet showing my new design;
FIG. 2 is a left side elevational view thereof;
FIG. 3 is a top plan view thereof;
FIG. 4 is a bottom plan view thereof;
FIG. 5 is a front elevational view thereof; and,
FIG. 6 is a rear elevational view thereof.

1 Claim, 1 Drawing Sheet

[56] References Cited

U.S. PATENT DOCUMENTS

D. 299,978	2/1989	Chiarella .	
D. 303,851	10/1989	Gentes .	
D. 310,893	9/1990	Broersma .	
D. 319,112	8/1991	Broersma .	
D. 326,001	5/1992	Chiarella .	
D. 339,427	9/1993	Gentes .	
D. 340,544	10/1993	Kamata .	
D. 347,300	5/1994	Gentes	D29/102
D. 348,545	7/1994	Egger	D29/102



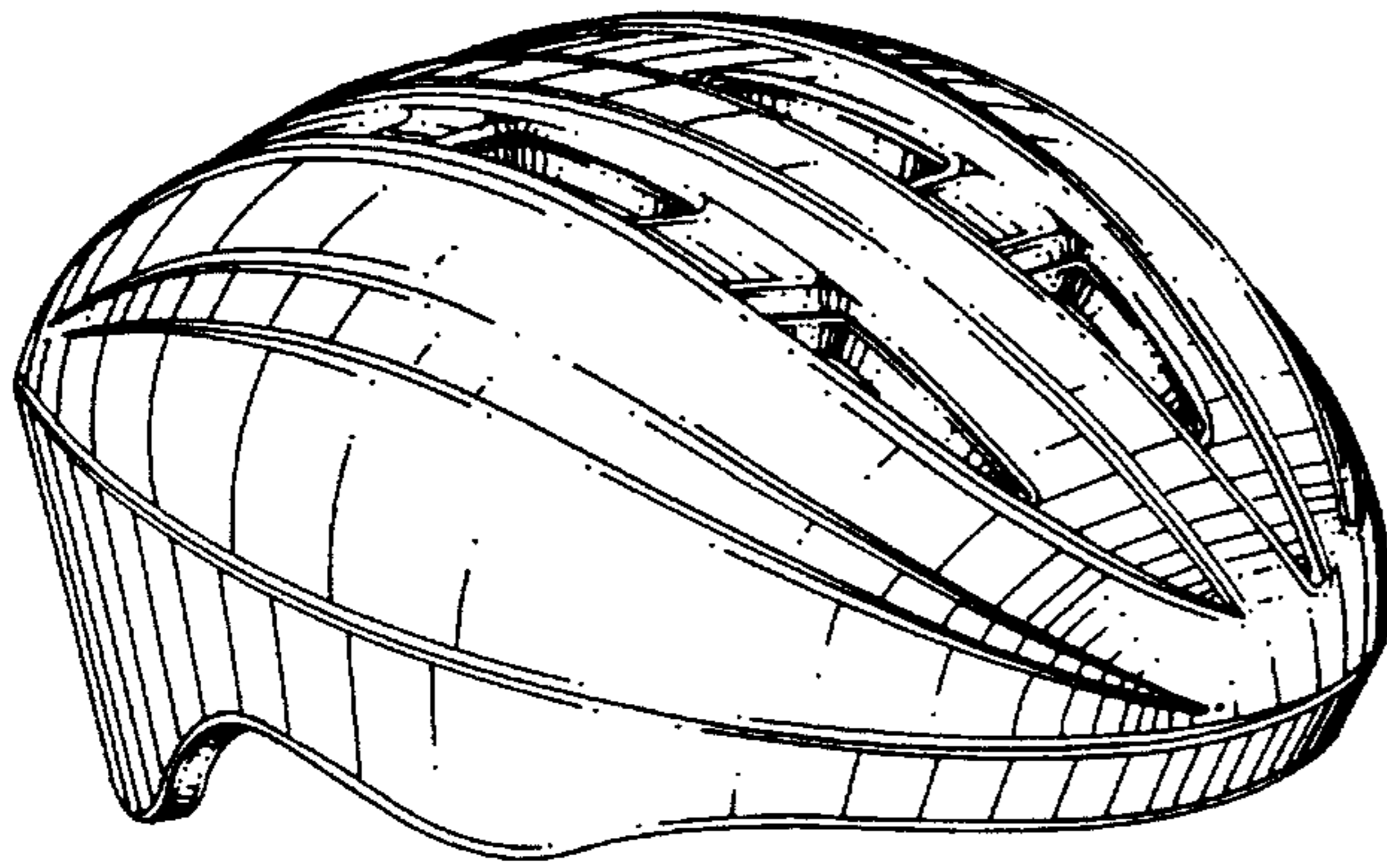


FIG. 1

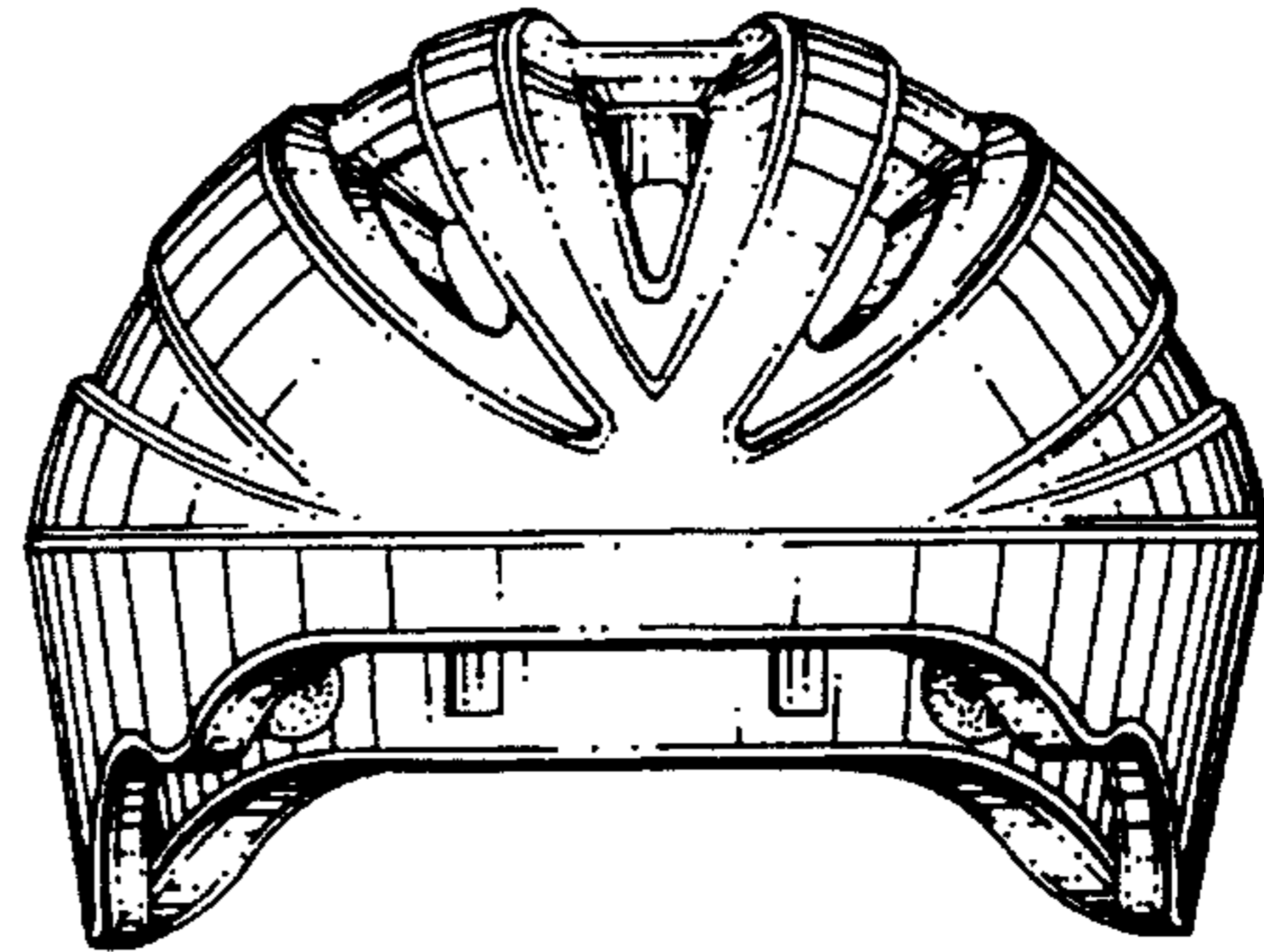


FIG. 5

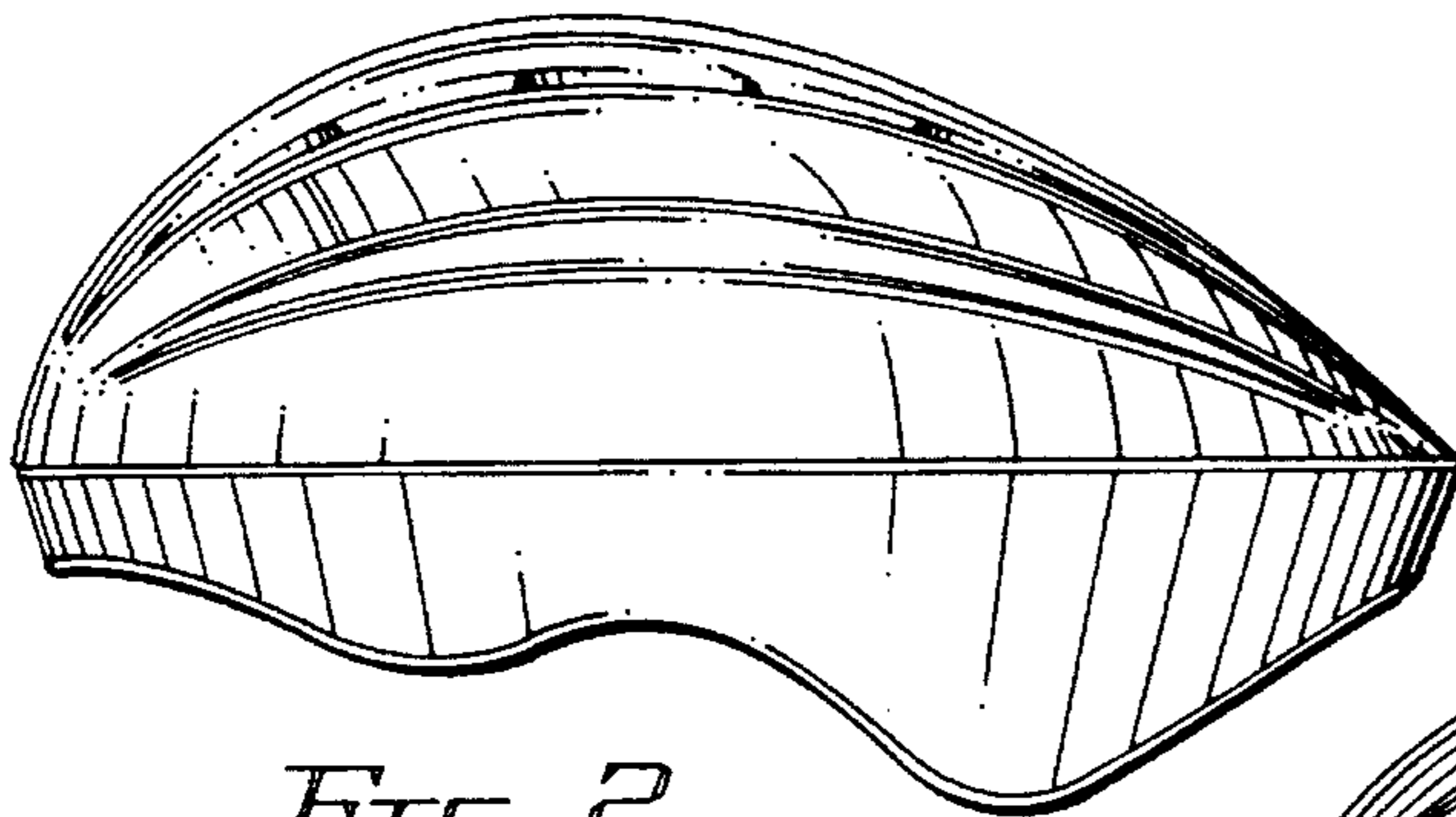


FIG. 2

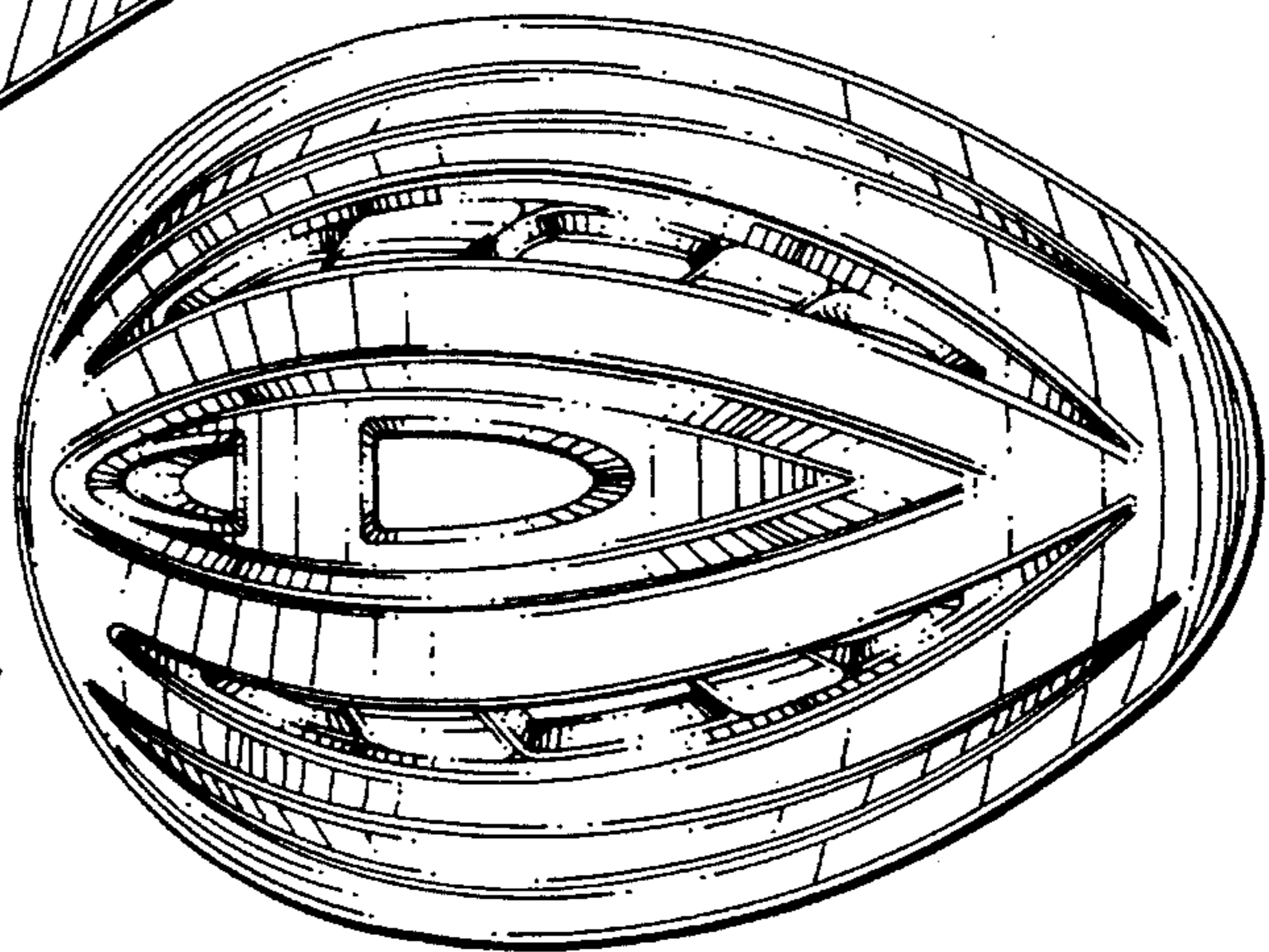


FIG. 3

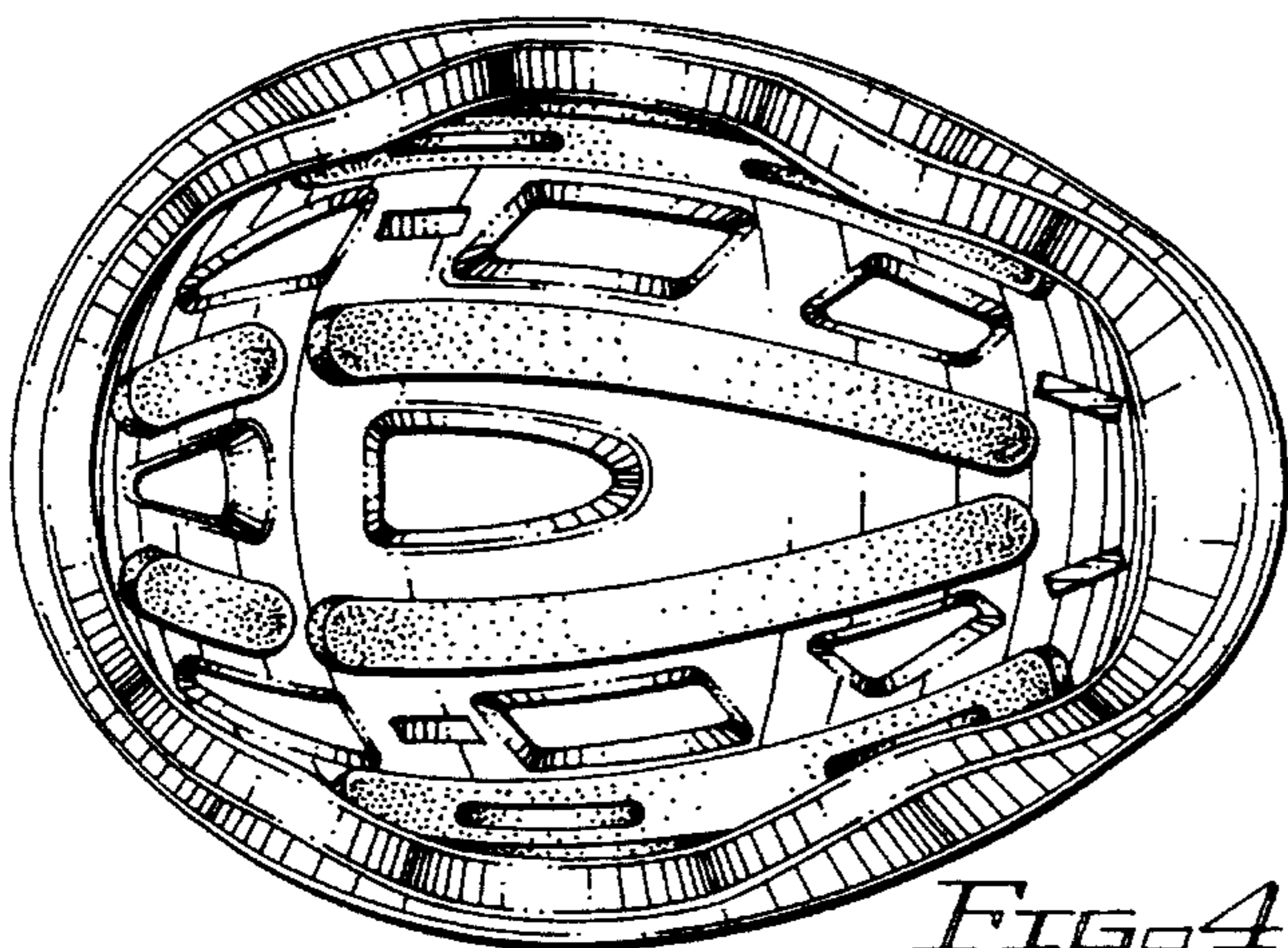


FIG. 4

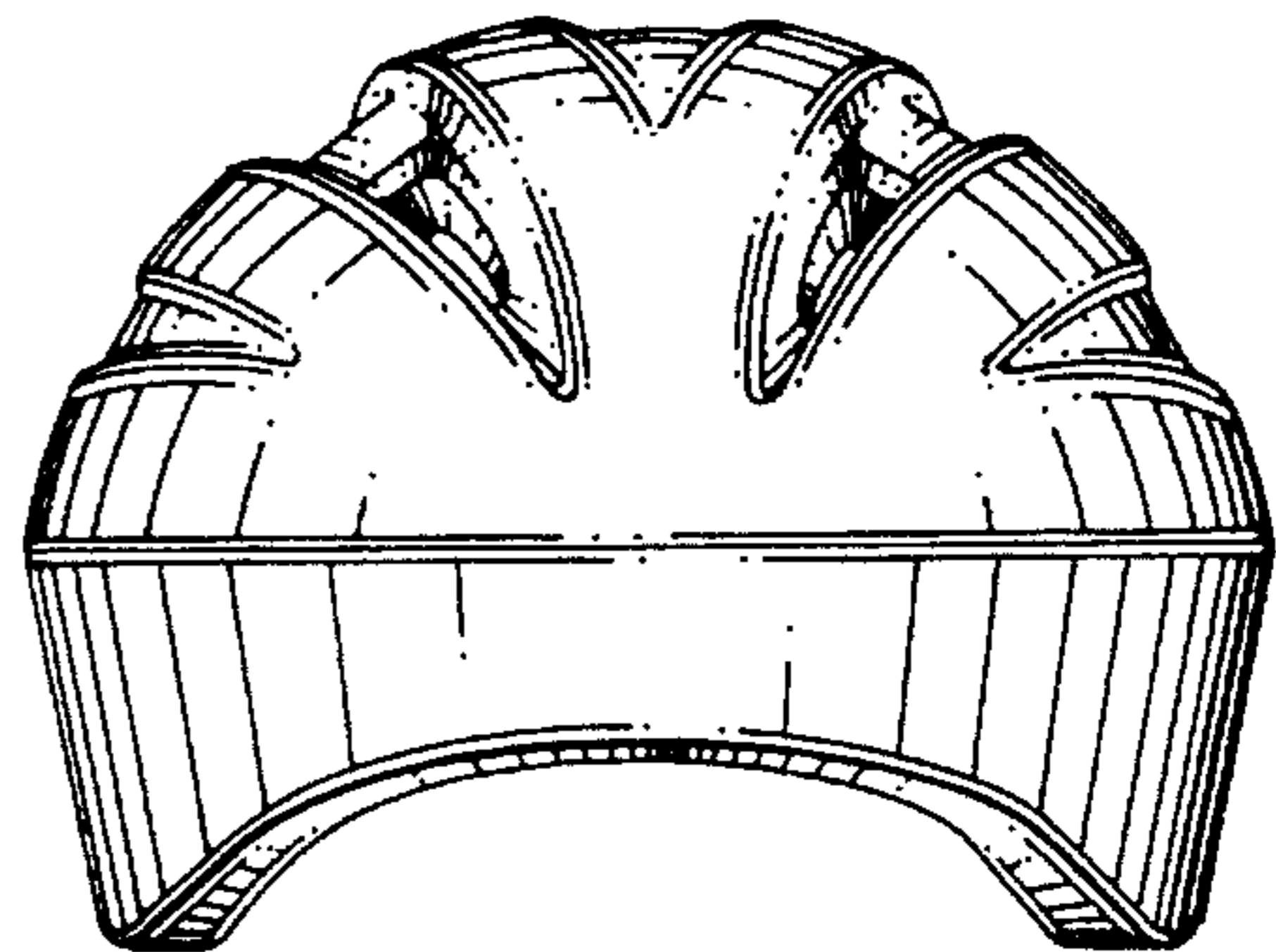


FIG. 6