



US00D371862S

United States Patent [19]

[11] **Patent Number: Des. 371,862**

Lee

[45] **Date of Patent: **Jul. 16, 1996**

[54] **WALL FIXTURE MOUNTING BASE**

Attorney, Agent, or Firm—Bacon & Thomas

[76] Inventor: **Ying-Jue Lee**, No. 3, Lane 1, Szu Wei Road, Wuku Hsiang, Taipei Hsien, Taiwan

[57] **CLAIM**

The ornamental design for a wall fixture mounting base, as shown and described.

[**] Term: **14 Years**

DESCRIPTION

[21] Appl. No.: **41,669**

FIG. 1 is a perspective view of a wall fixture mounting base showing my design;

[22] Filed: **Jul. 21, 1995**

FIG. 2 is a front elevational view thereof;

[52] U.S. Cl. **D26/142; D8/352**

FIG. 3 is a rear elevational view thereof;

[58] Field of Search **D26/142, 143, D26/145, 152, 72, 80, 85, 87, 92; 362/147, 432; D8/352**

FIG. 4 is a left side elevational view thereof;

FIG. 5 is a right side elevational view thereof;

FIG. 6 is a top plan view thereof;

[56] **References Cited**

FIG. 7 is a bottom plan view thereof; and,

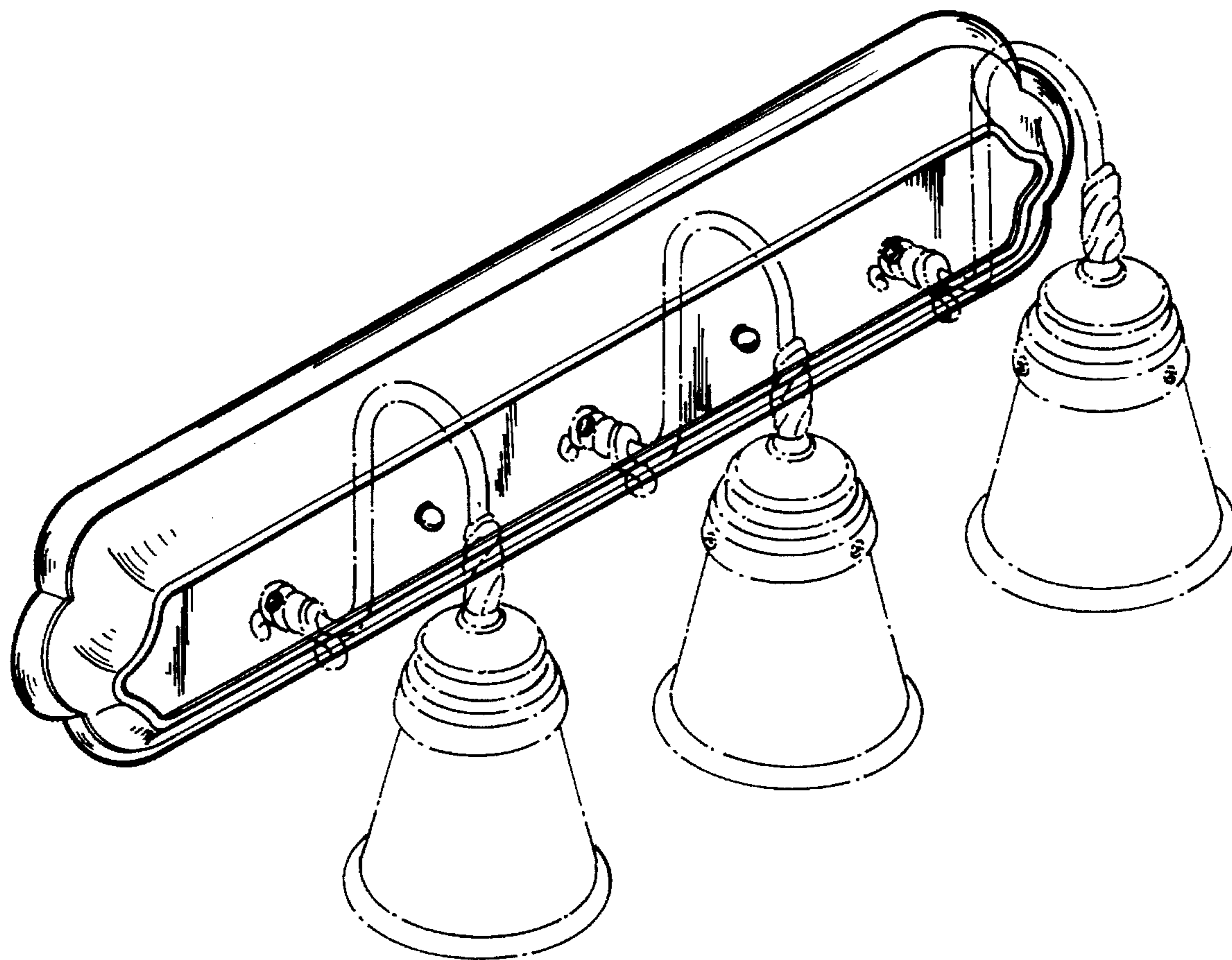
U.S. PATENT DOCUMENTS

FIG. 8 is a perspective view showing the wall fixture mounting base and three lamp holders shown in dotted line, for illustrative purpose only.

- D. 50,498 3/1917 Barrows et al. D26/142
- D. 356,384 3/1995 Pickett D26/92

Primary Examiner—Susan J. Lucas

1 Claim, 4 Drawing Sheets



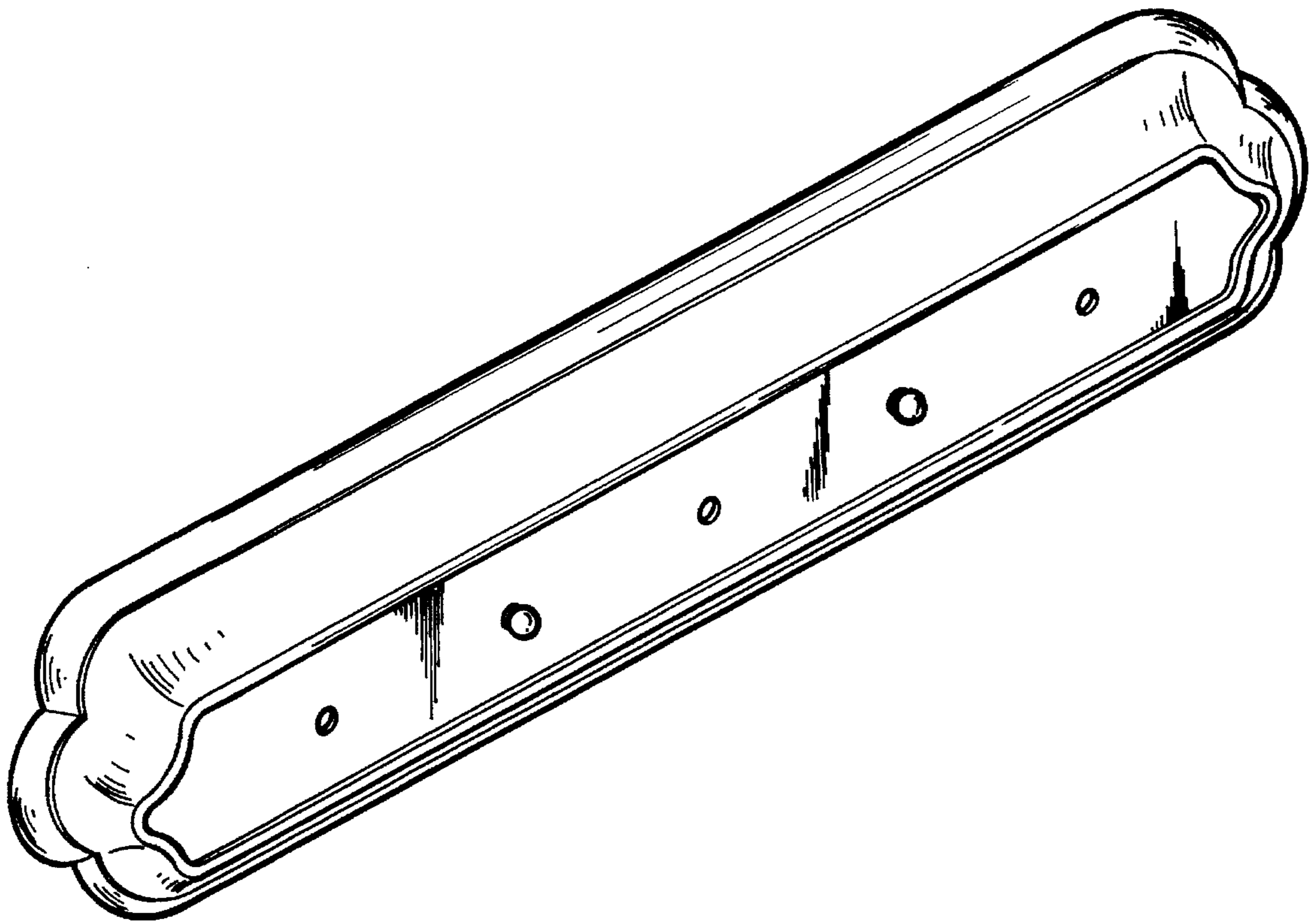


FIG. 1

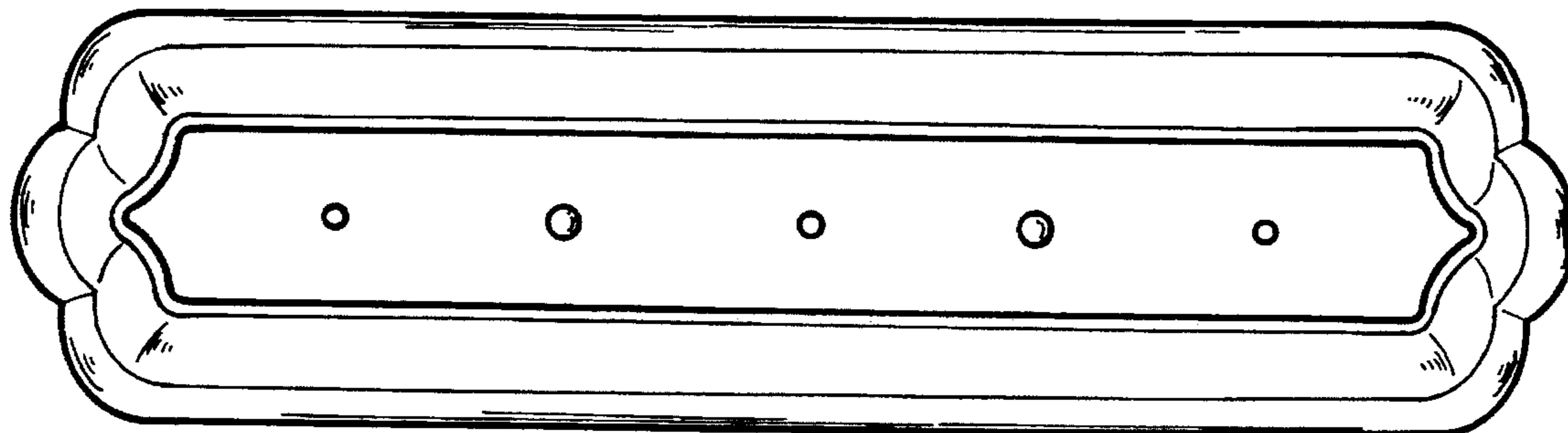


FIG. 2

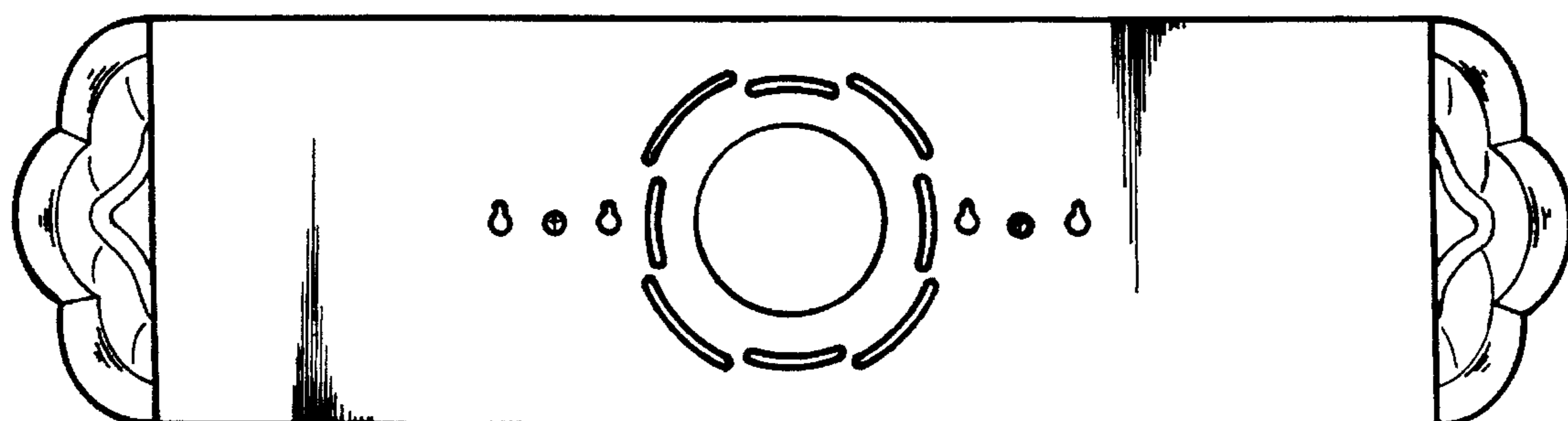


FIG. 3

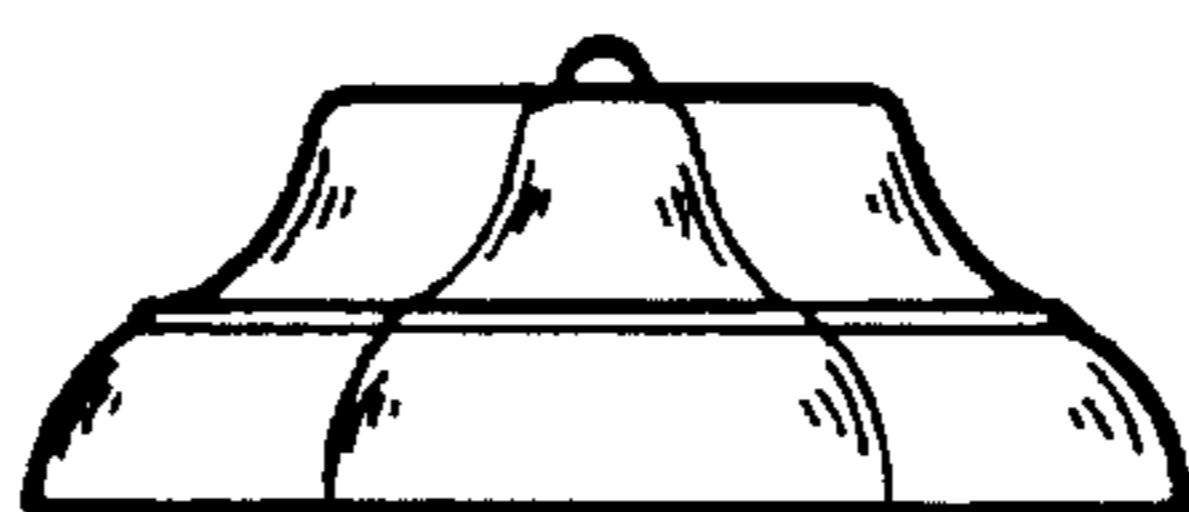


FIG. 4

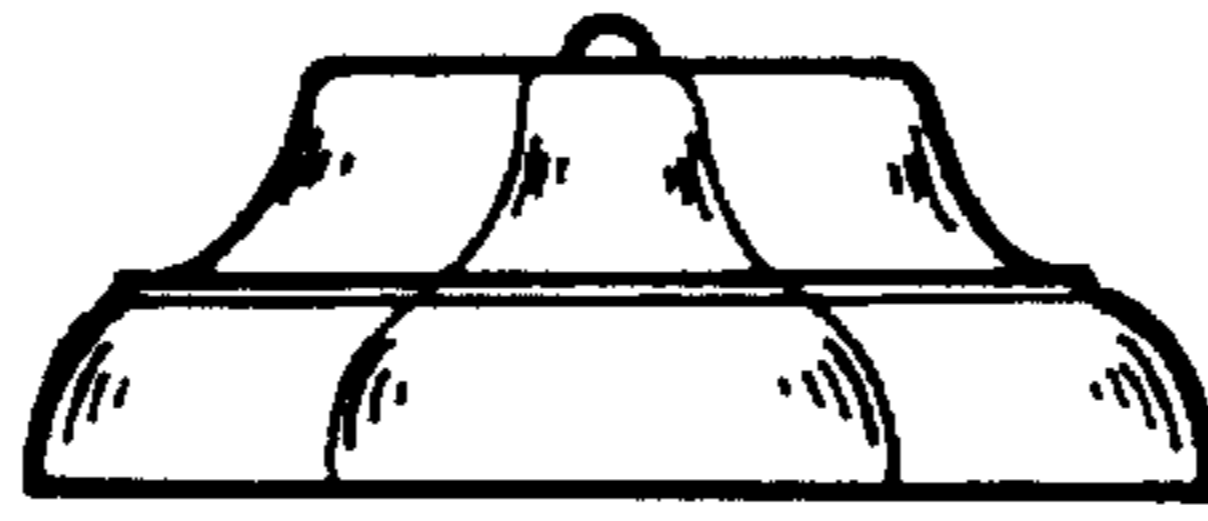


FIG. 5

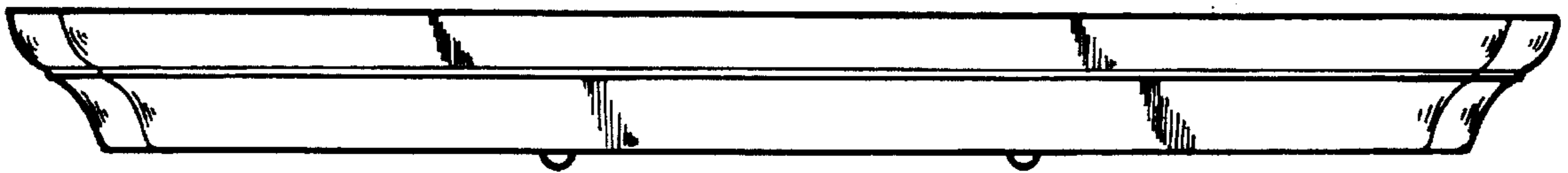


FIG. 6

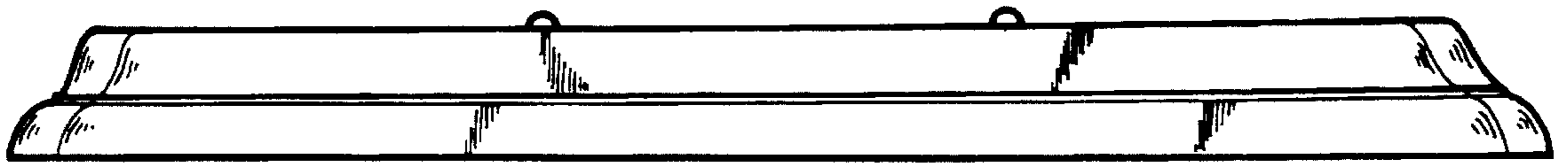


FIG. 7

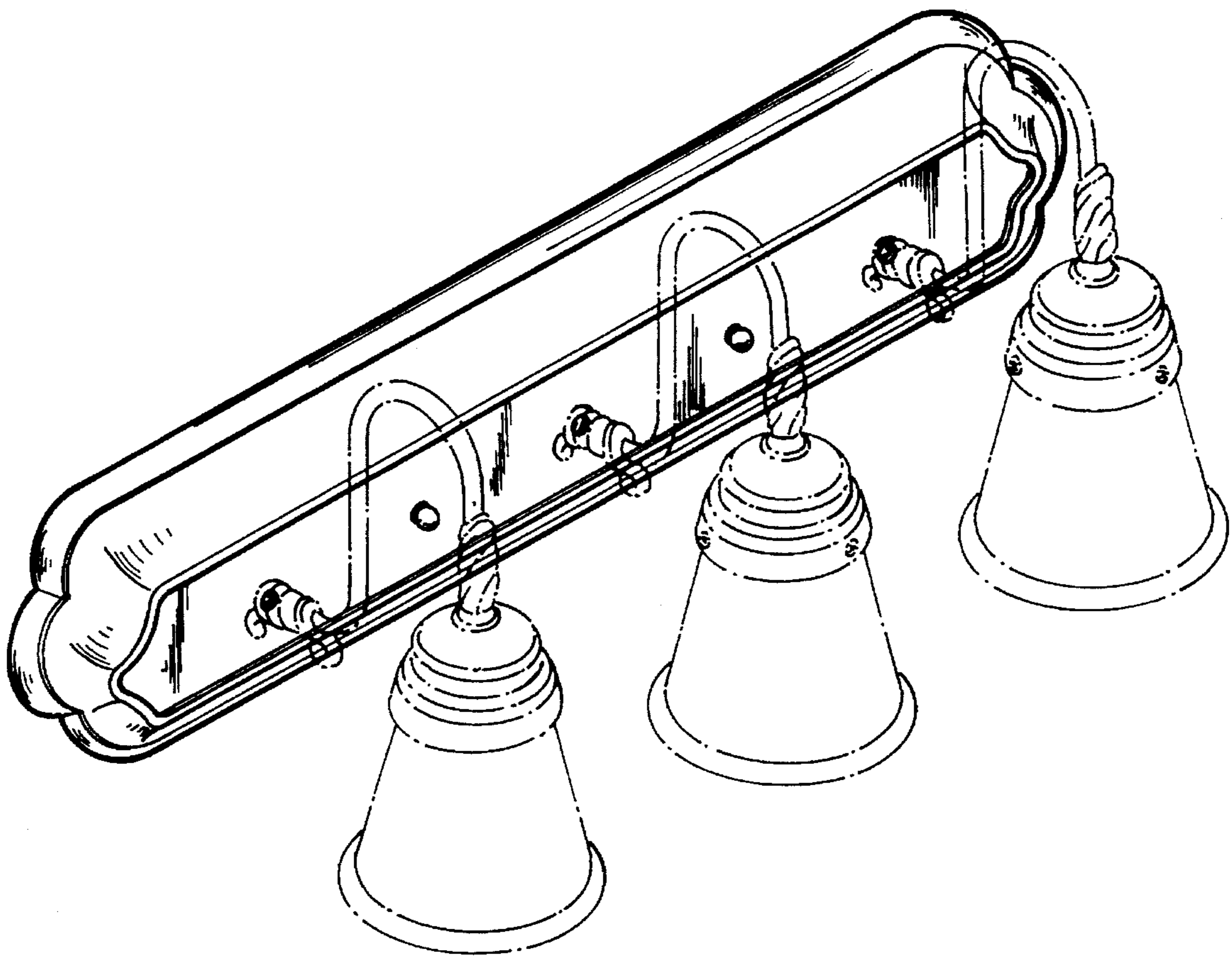


FIG. 8