



US00D371861S

United States Patent [19]

Stamm

[11] Patent Number: **Des. 371,861**

[45] Date of Patent: ****Jul. 16, 1996**

[54] MOUNTING BRACKET

[75] Inventor: **Martin L. Stamm**, Gastonia, N.C.

[73] Assignee: **Specialty Lighting, Inc.**, Shelby, N.C.

[**] Term: **14 Years**

[21] Appl. No.: **40,615**

[22] Filed: **Jun. 22, 1995**

[52] U.S. Cl. **D26/140; D8/354**

[58] Field of Search **D8/354, 349, 373, D8/380; 248/221.1, 221.2, 220.3, 250, 235; D26/138, 140**

[56] **References Cited**

U.S. PATENT DOCUMENTS

D. 240,502	7/1976	Daniels	D8/380
D. 309,707	8/1990	Barnes	D8/381
3,985,325	10/1976	Ginsburg et al.	248/304 X
4,830,323	5/1989	Harley	248/250

Primary Examiner—Holly H. Baynham
Attorney, Agent, or Firm—Fitzpatrick, Cella, Harper & Scinto

[57] **CLAIM**

The ornamental design for a mounting bracket, as shown and described.

DESCRIPTION

FIG. 1 is a perspective environmental view of a mounting bracket showing my new design;
FIG. 2 is an enlarged perspective view thereof;
FIG. 3 is an exploded perspective view thereof;
FIG. 4 is a front view thereof;
FIG. 5 is a top view thereof;
FIG. 6 is a rear view thereof;
FIG. 7 is a bottom view thereof;
FIG. 8 is a bottom view of the clip portion in the upper part of FIG. 3; and,
FIG. 9 is a rear view of the clip portion of my new design.
The clip portion of the claimed design is shown separately in FIGS. 8 and 9 for clarity of illustration.
The broken line showing of a lamp and a partial seat is for illustrative purposes only and forms no part of the claimed design.

1 Claim, 3 Drawing Sheets

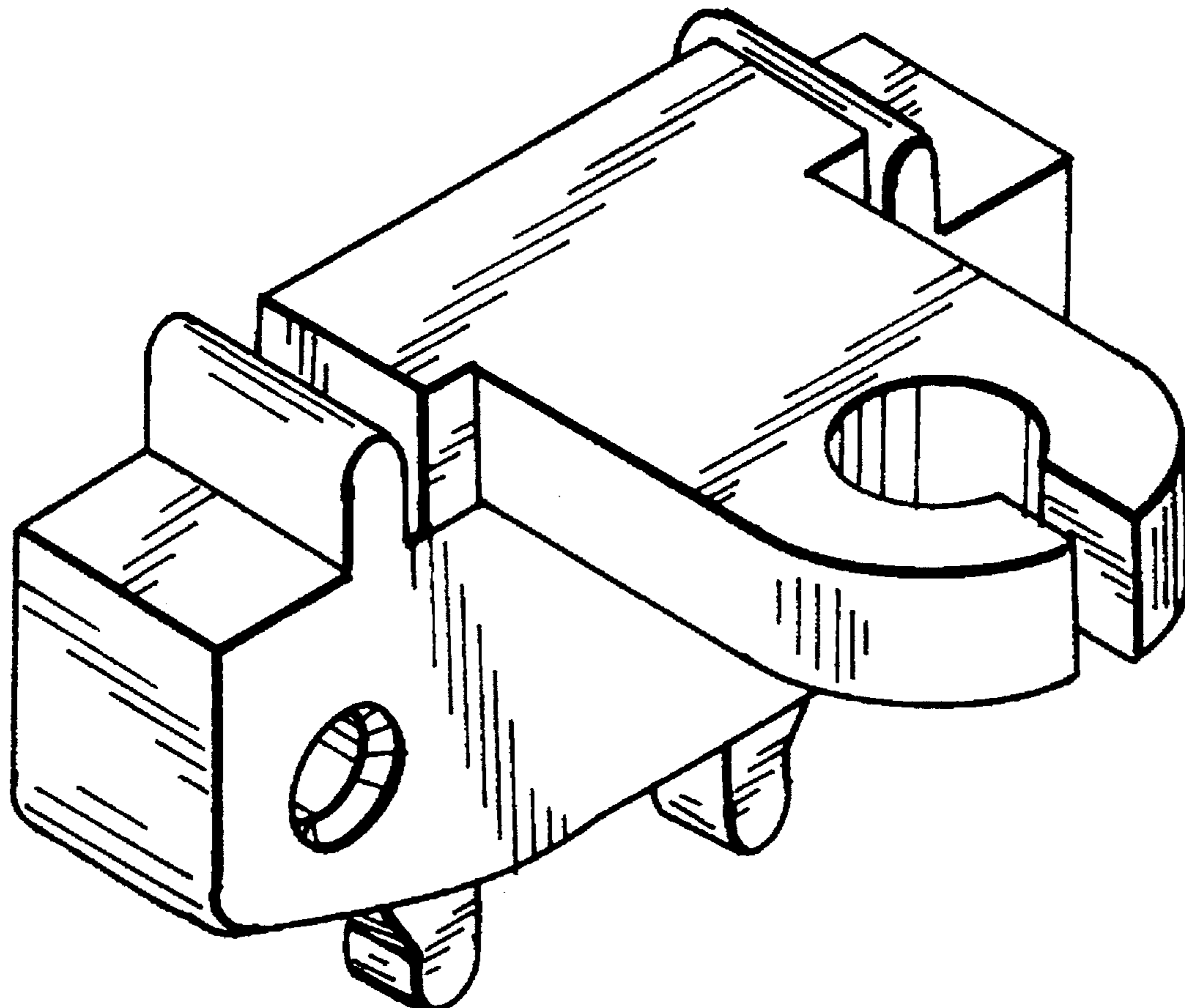


FIG. 1

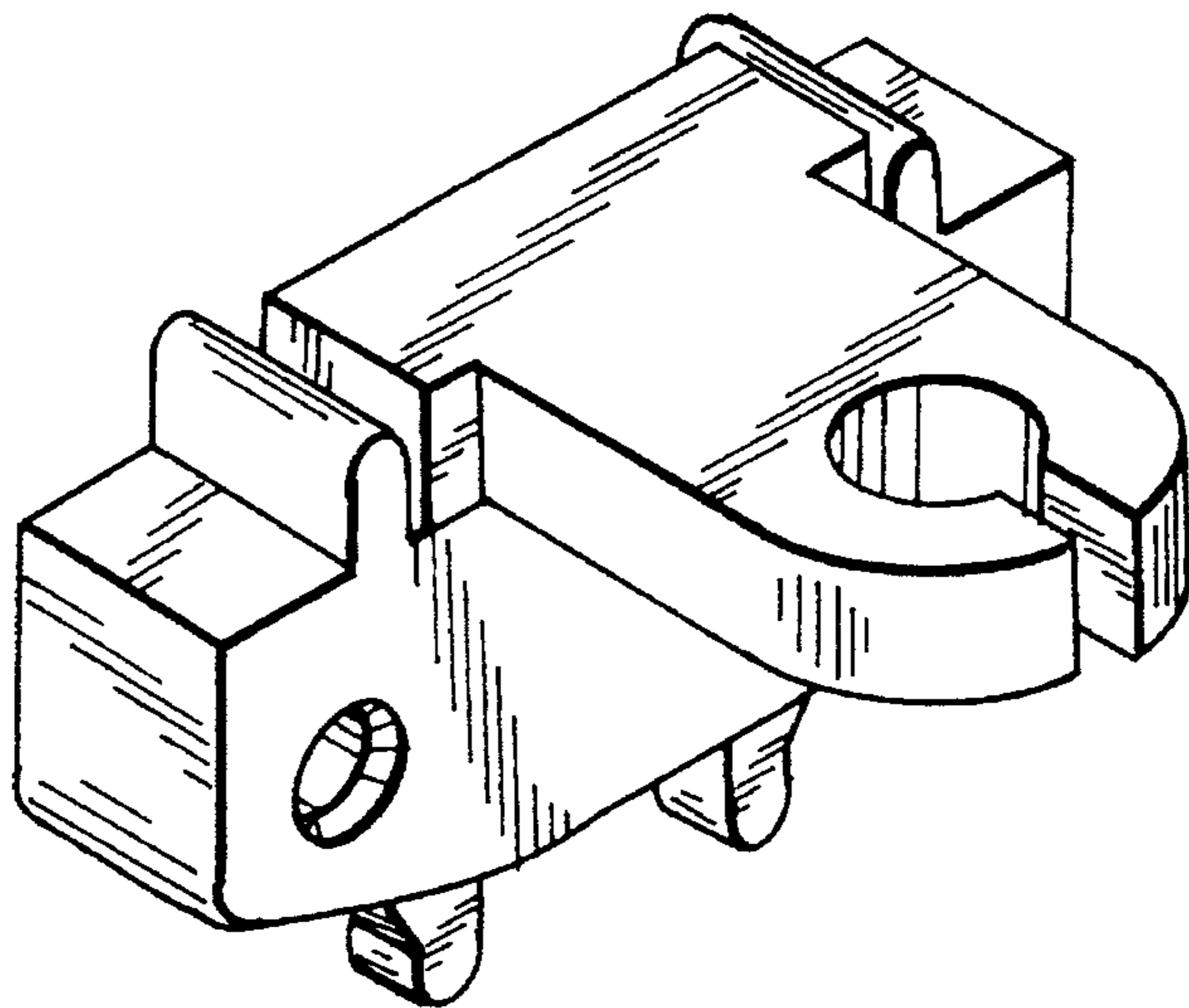
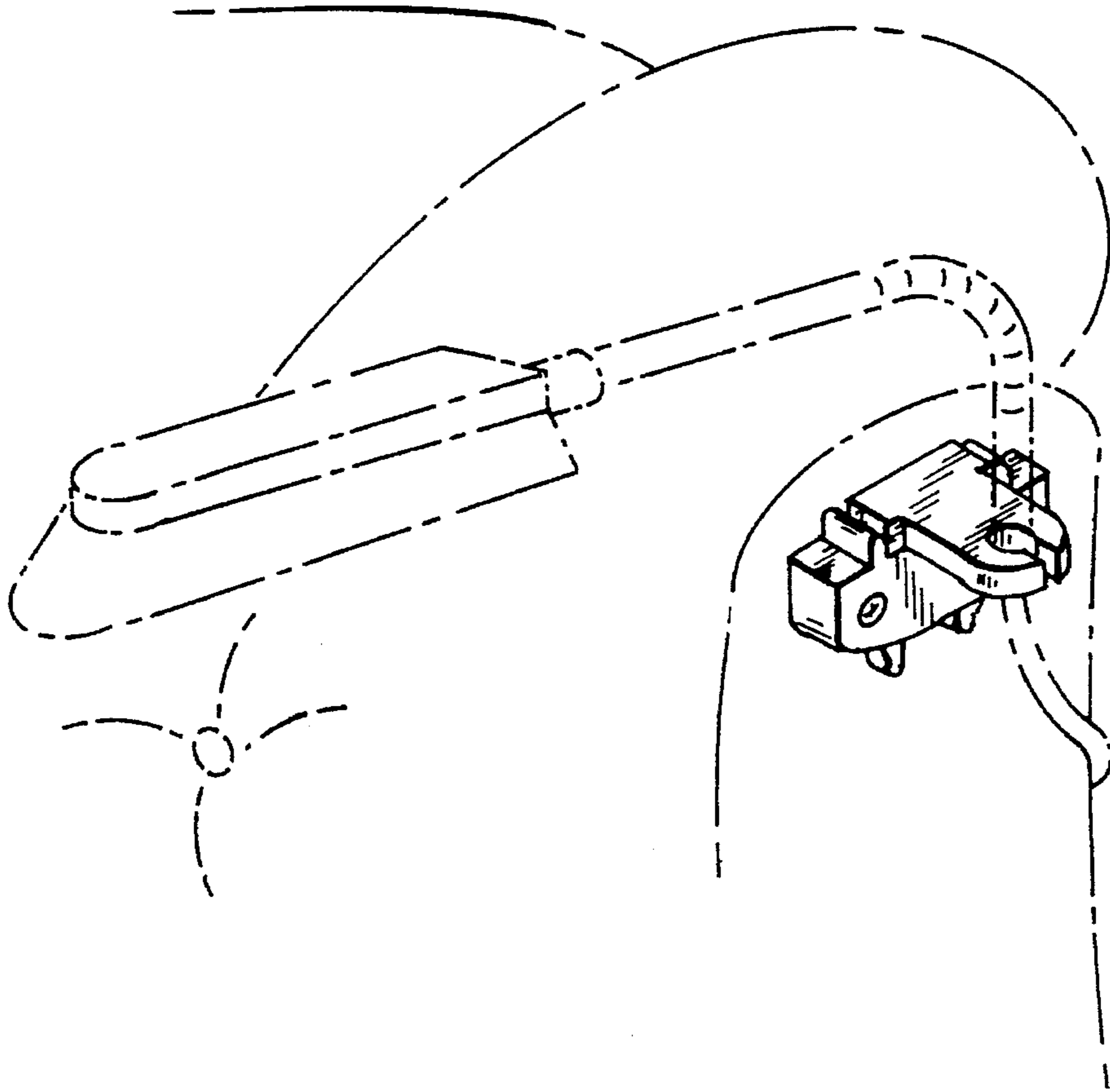


FIG. 2

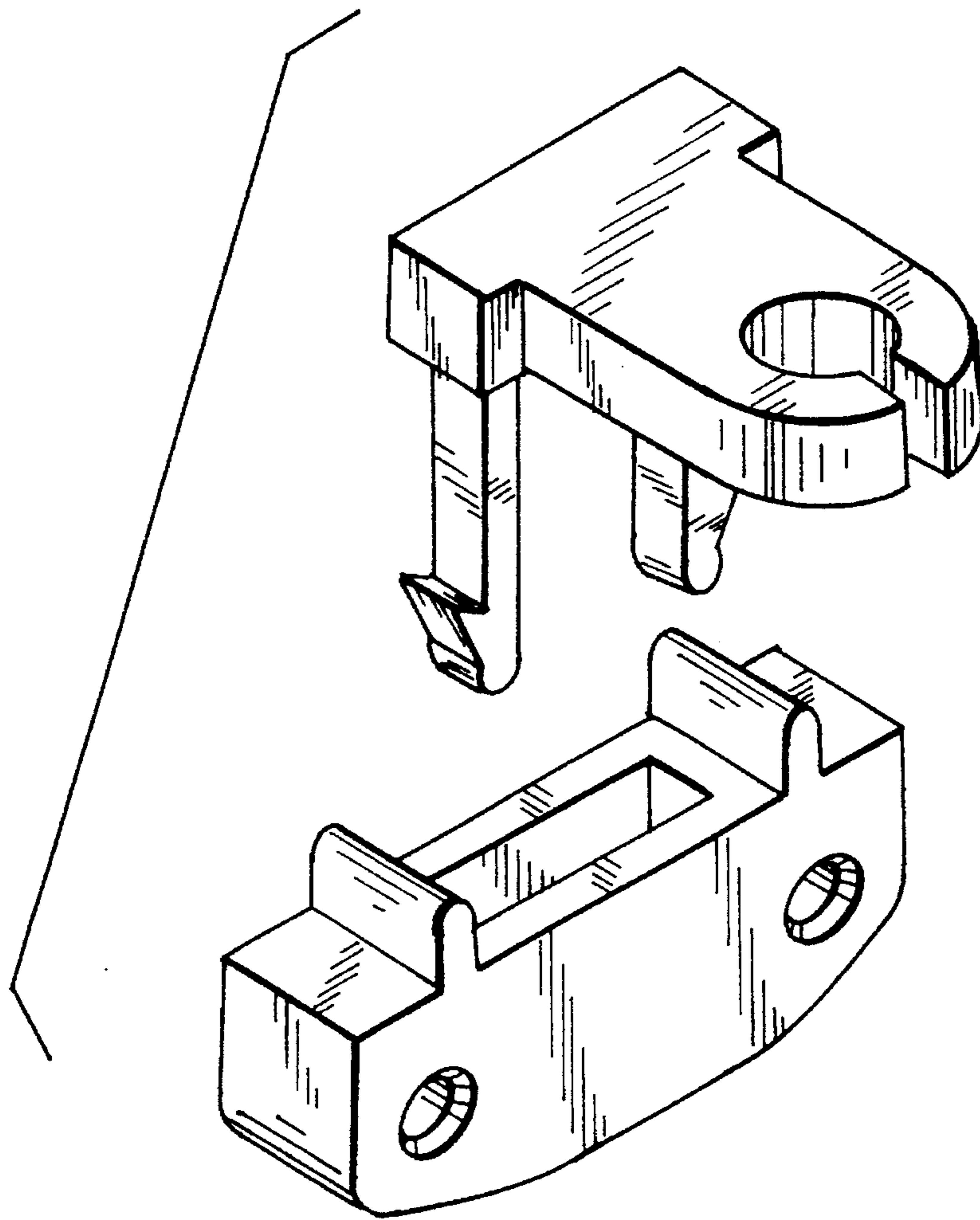


FIG. 3

FIG. 5

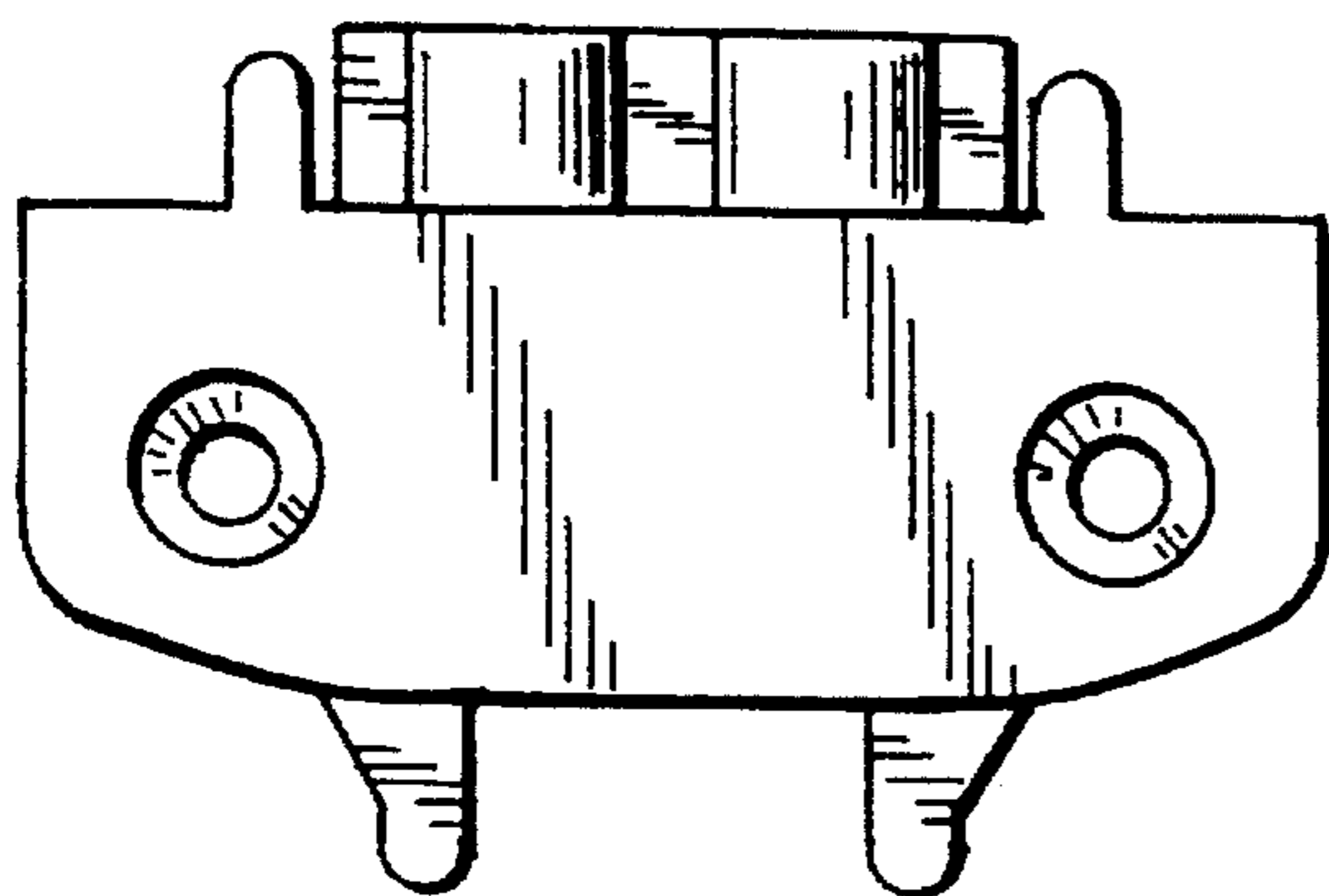
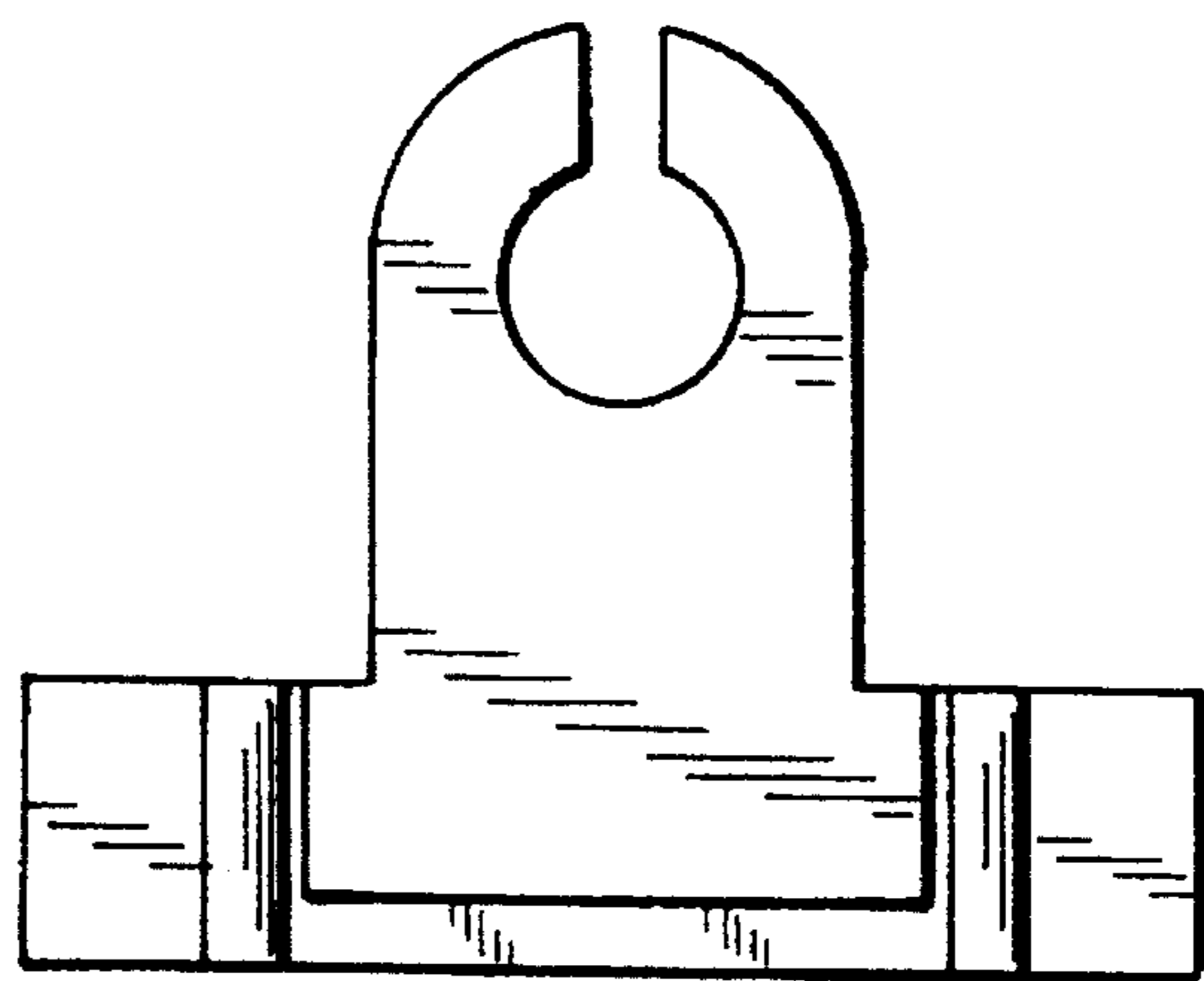


FIG. 4



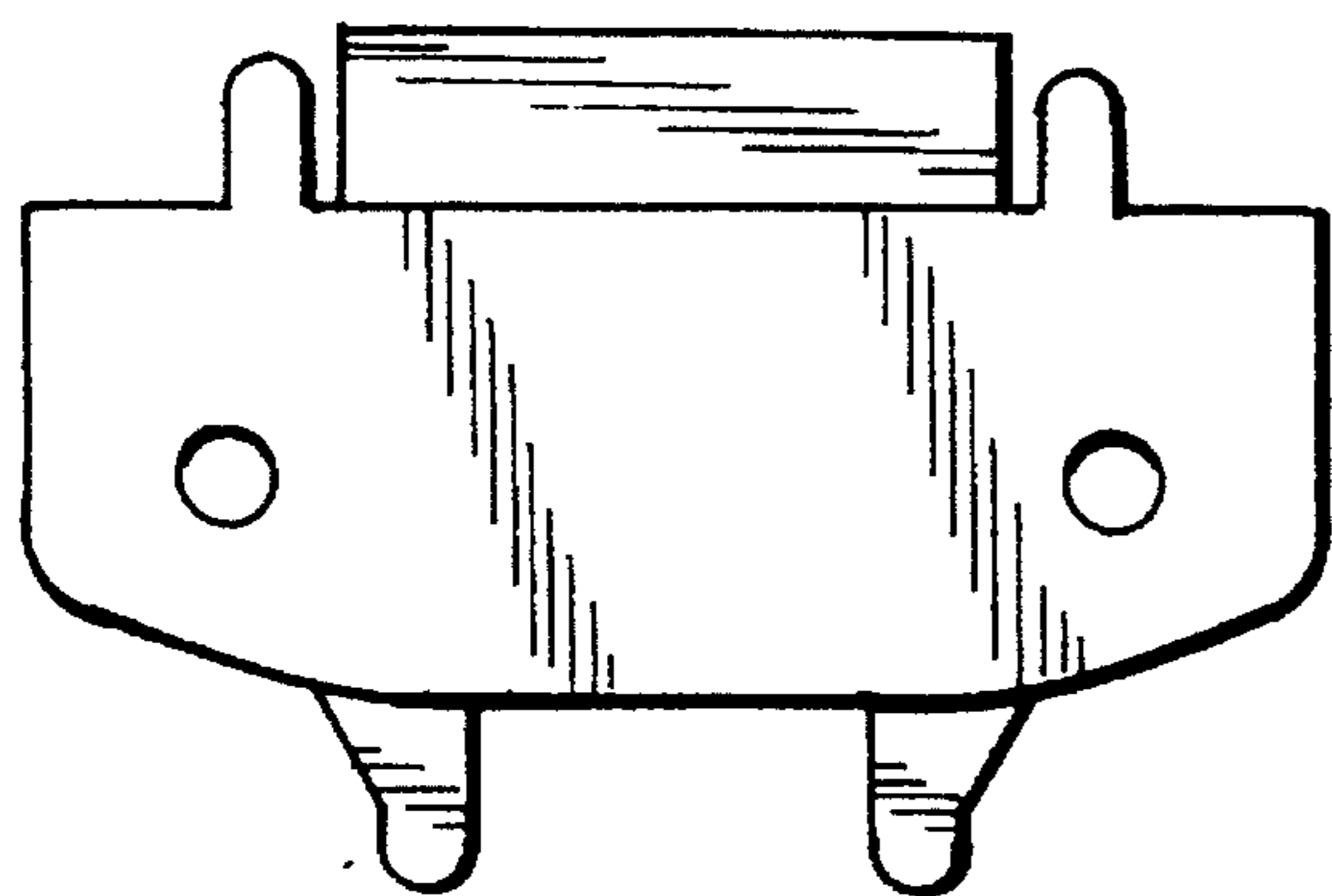


FIG. 6

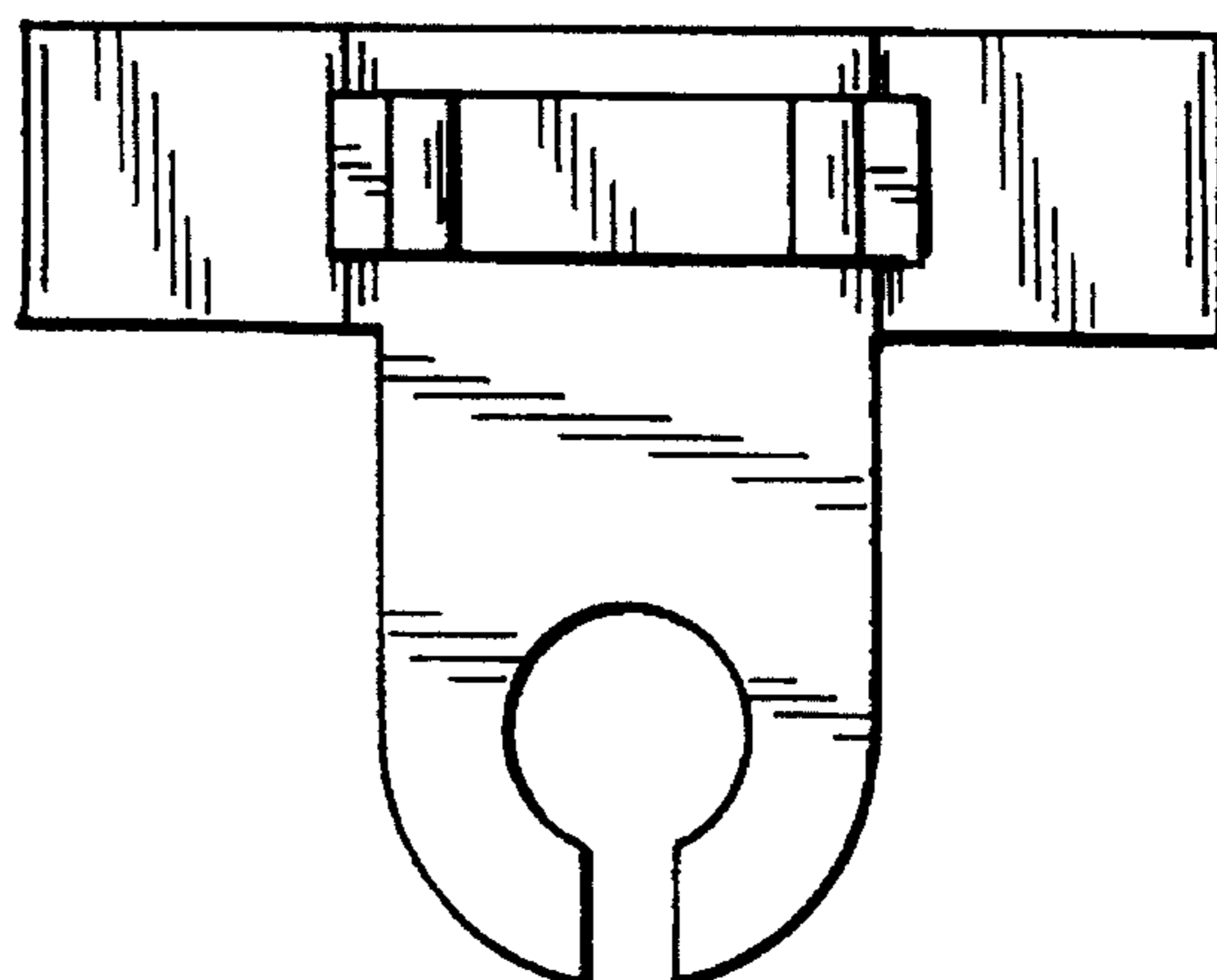


FIG. 7

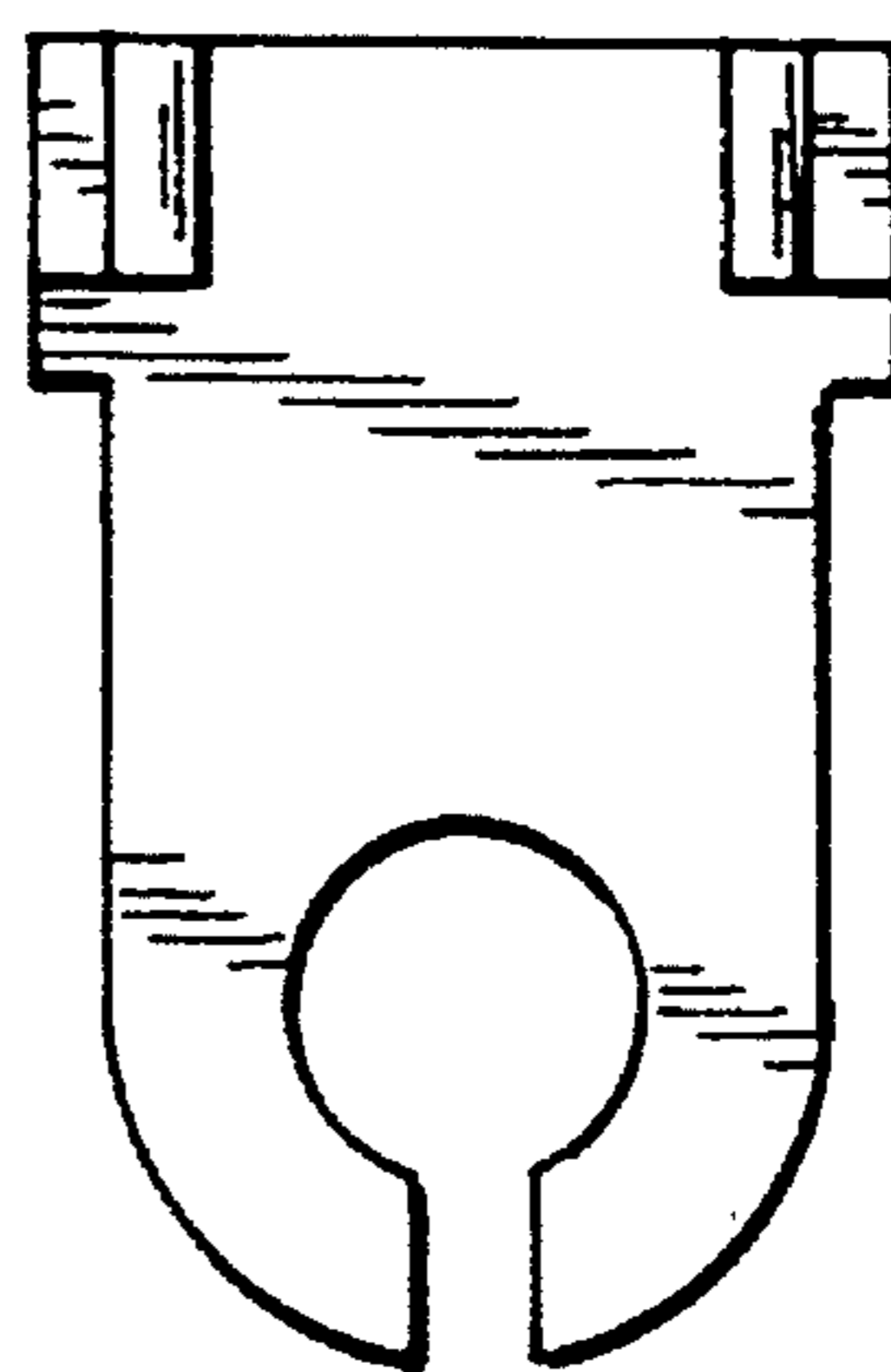


FIG. 8

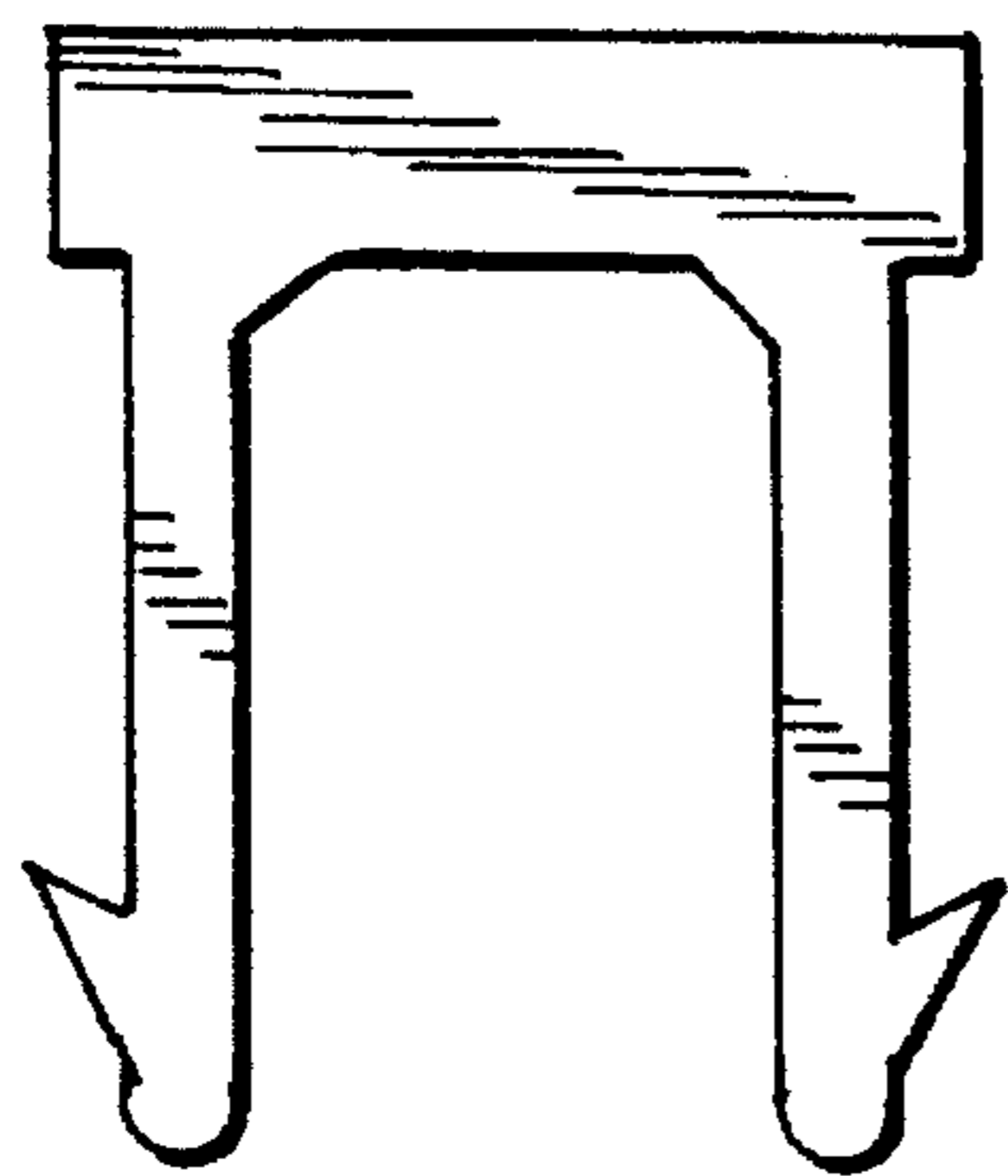


FIG. 9