



US00D371855S

United States Patent [19]

Heun

[11] Patent Number: **Des. 371,855**

[45] Date of Patent: ****Jul. 16, 1996**

[54] FLEXIBLE FLASHLIGHT

[75] Inventor: **Ping H. Heun**, Kowloon, Hong Kong

[73] Assignee: **GSL Rechargeable Products, Ltd.**,
Kowloon, Hong Kong

[**] Term: **14 Years**

[21] Appl. No.: **37,402**

[22] Filed: **Apr. 11, 1995**

[52] U.S. Cl. **D26/43**

[58] Field of Search D26/37, 43, 44,
D26/46, 49, 60, 62; 362/157, 158, 184,
188, 189, 191, 198, 199, 200, 202, 362,
396

[56] References Cited

U.S. PATENT DOCUMENTS

D. 147,258	8/1947	Becker	D26/43
D. 166,073	3/1952	Dunkelberger	D26/43
D. 314,246	1/1991	Bache	D26/62
D. 328,146	7/1992	Sinsteden	D26/49
3,111,277	11/1963	Grimsley	D26/43 X

FOREIGN PATENT DOCUMENTS

685931 8/1986 Japan D26/43

Primary Examiner—A. Hugo Word
Assistant Examiner—Lavone D. Tabor
Attorney, Agent, or Firm—Longacre & White

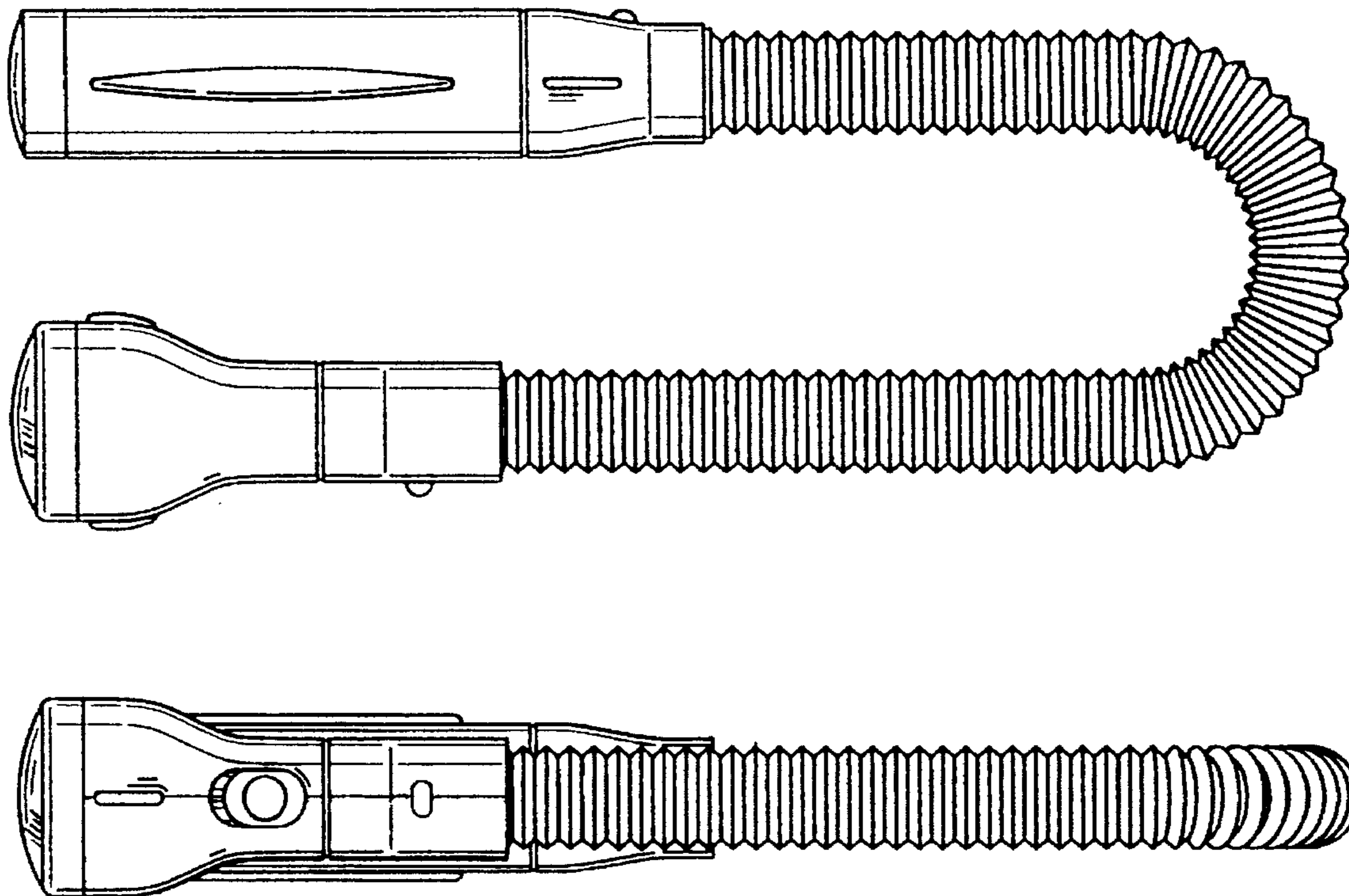
[57] CLAIM

The ornamental design for a flexible flashlight, as shown and described.

DESCRIPTION

FIG. 1 is a front view of the flexible flashlight showing my new design;
FIG. 2 is a left-side view of the flexible flashlight as shown in FIG. 1;
FIG. 3 is a right-side view of the flexible flashlight as shown in FIG. 1;
FIG. 4 is a back view of the flexible flashlight as shown in FIG. 1;
FIG. 5 is a top view of the flexible flashlight as shown in FIG. 1; and,
FIG. 6 is a front view of the flexible flashlight as shown in FIG. 1, and shown in an extended and pivoted position.

1 Claim, 2 Drawing Sheets



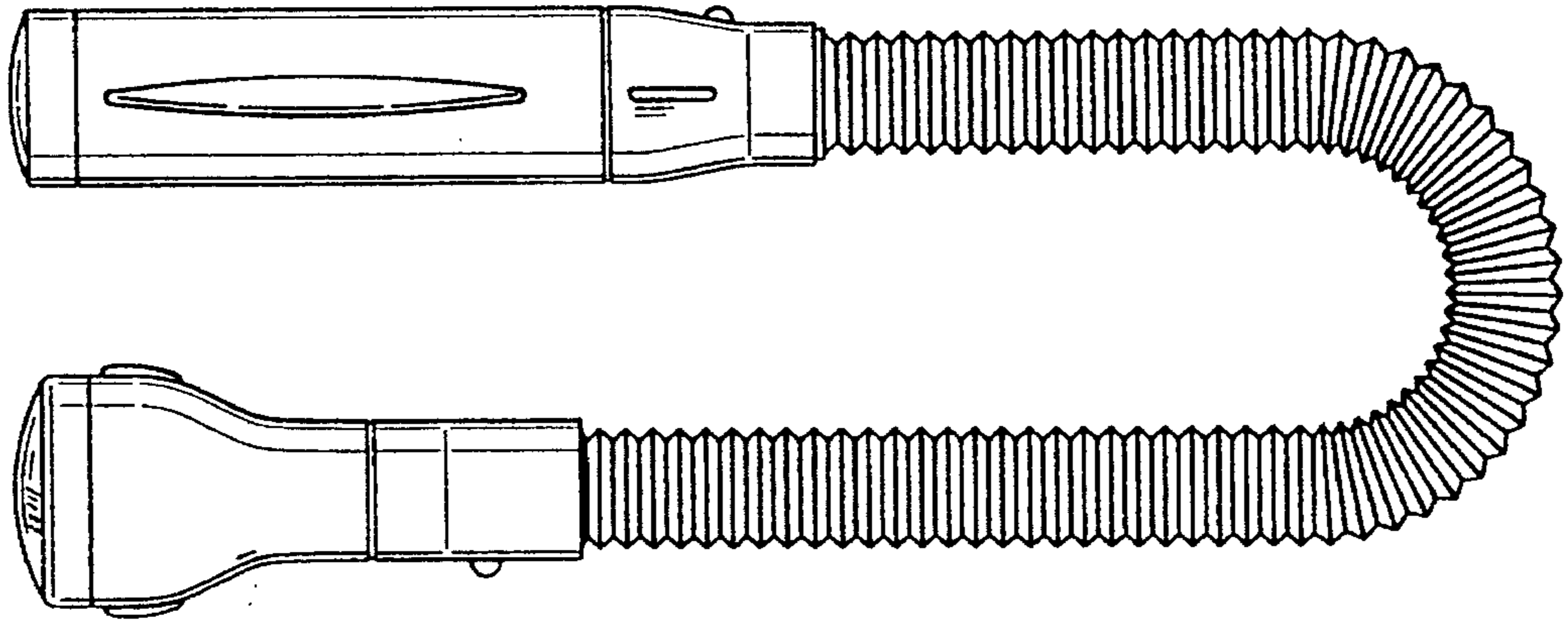


FIG. 1

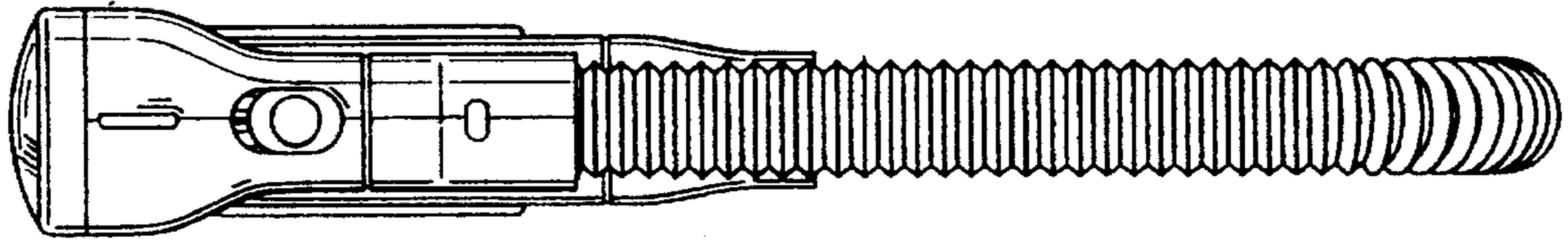


FIG. 2

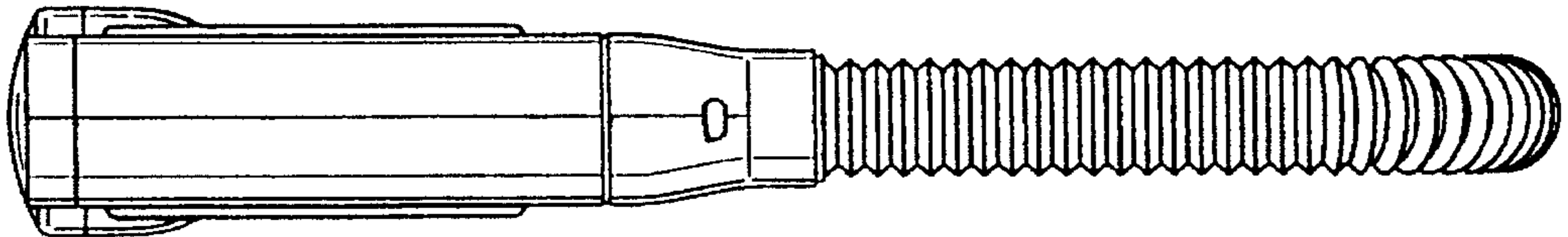


FIG. 3

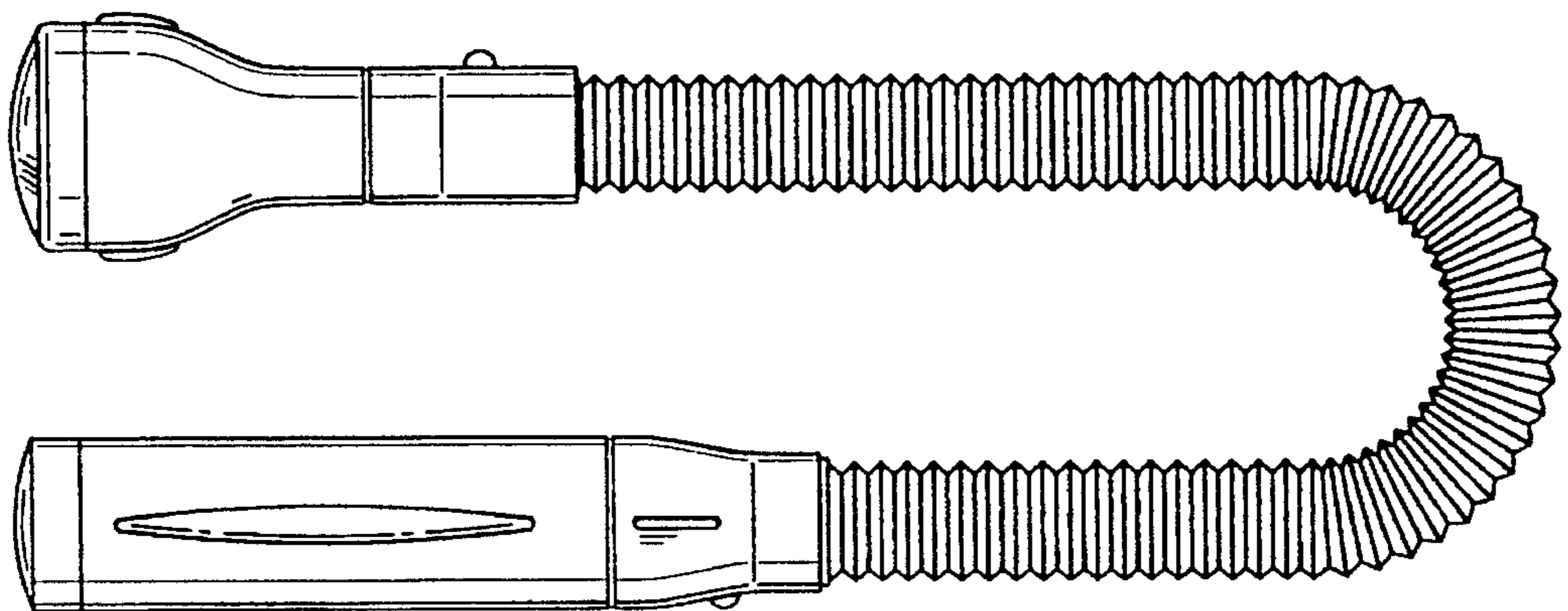


FIG. 4

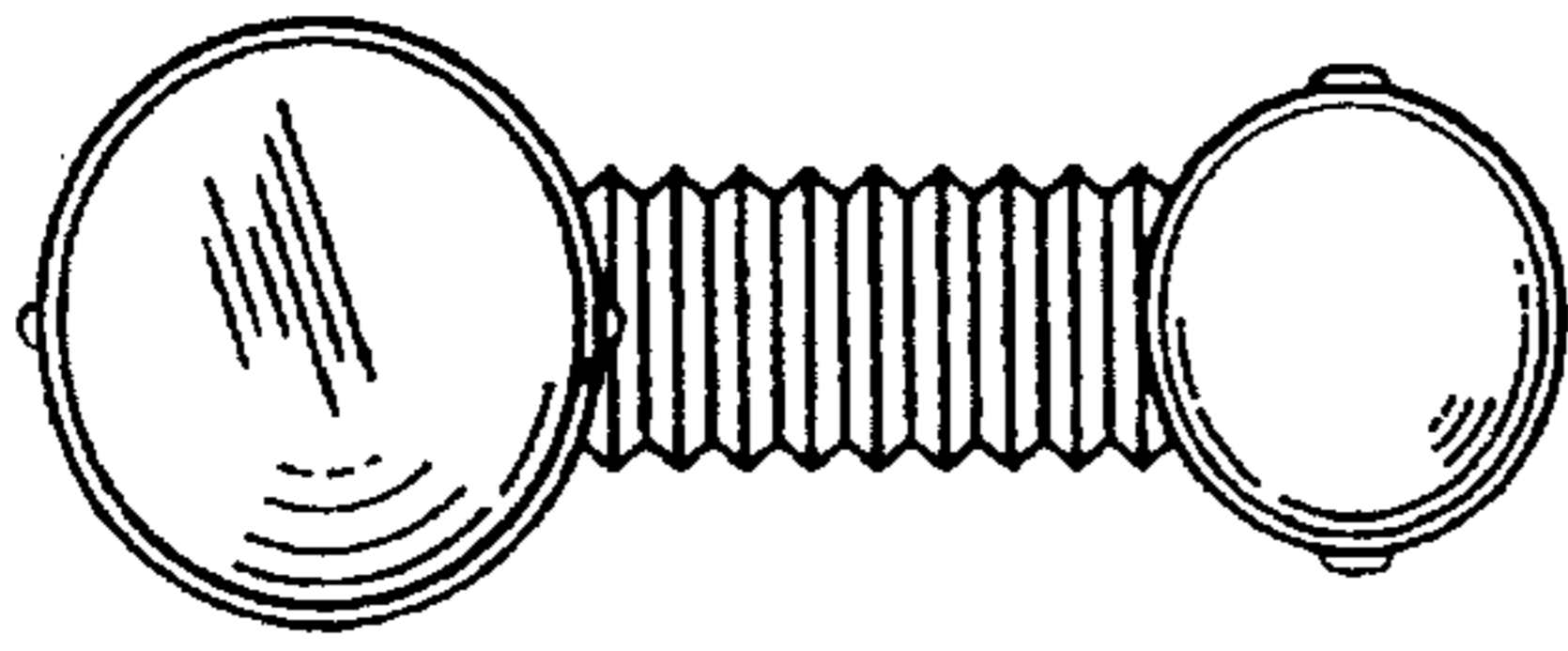


FIG. 5

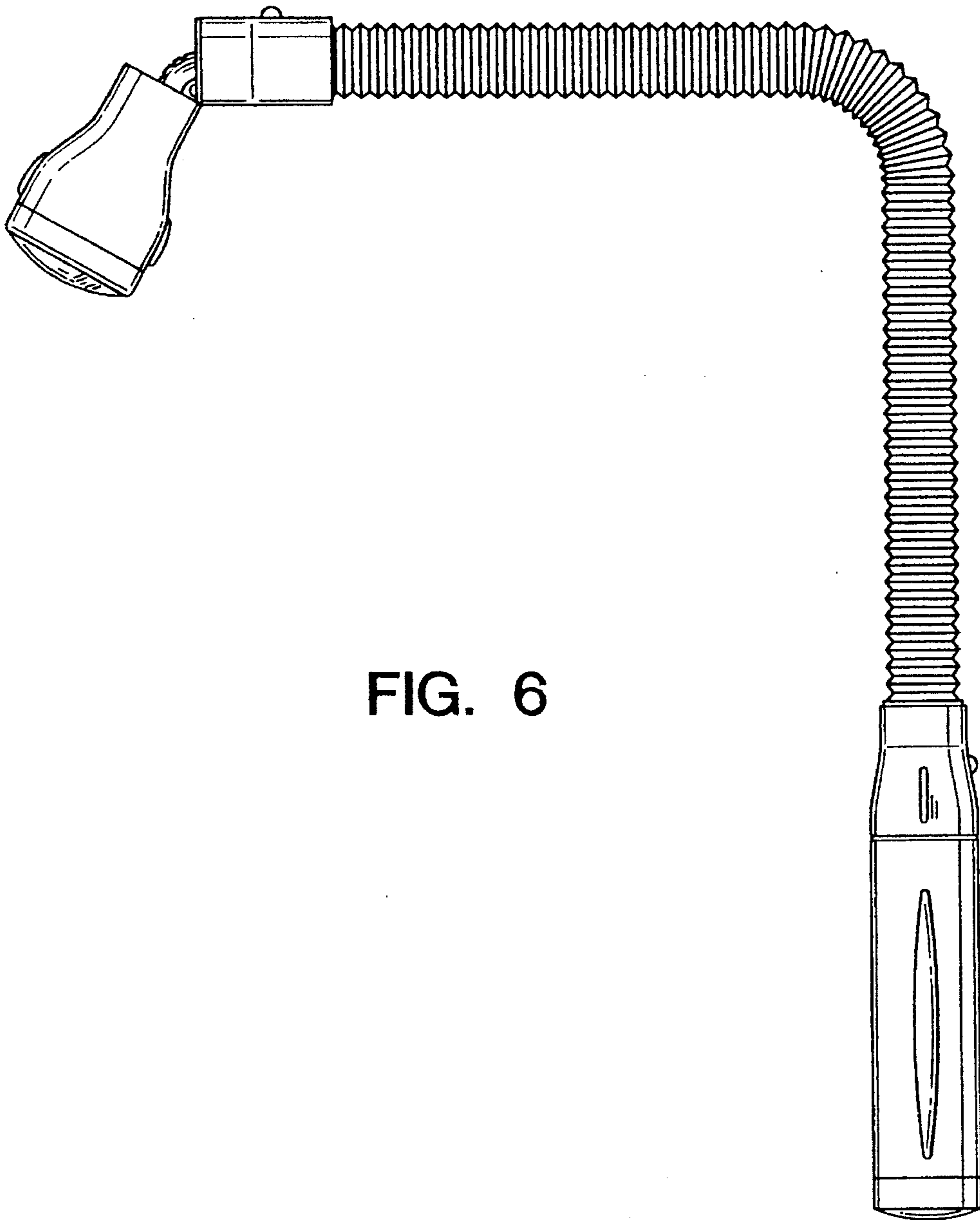


FIG. 6