



US00D371854S

United States Patent [19]

Douglas et al.

[11] Patent Number: Des. 371,854

[45] Date of Patent: **Jul. 16, 1996

[54] LADDER RUNG

4,869,342 9/1989 Borst 182/90

[75] Inventors: Patrick Douglas; Don Jursich, both of Chicago; Kenneth R. Fenne, Glen Ellyn, all of Ill.

FOREIGN PATENT DOCUMENTS

2059544 6/1972 Germany .
751948 7/1980 U.S.S.R. .

[73] Assignee: BRK Brands, Inc., Aurora, Ill.

OTHER PUBLICATIONS

[**] Term: 14 Years

MLM Machine and Metal Products, RES-Q-LADDER Merchandising Ideas, undated, 1 page.

[21] Appl. No.: 27,078

MLM Machine and Metal Products, RES-Q-LADDER Merchandising brochure, undated, 2 pages.

[22] Filed: Aug. 12, 1994

MLM Machine and Metal Products, RES-Q-LADDER Advertising brochure, undated, 4 pages.

[52] U.S. Cl. D25/69

MLM Machine and Metal Products, Comparison of 2-Story Fire Escape Ladders, presumed published in or about 1993, 1 page.

[58] Field of Search D25/64, 69; 182/90, 182/121, 164, 198, 228

[56] References Cited

U.S. PATENT DOCUMENTS

D. 304,376	10/1989	Robertson	D25/69
190,342	5/1877	Lake	.	
1,196,419	8/1916	Banyovits	.	
1,301,734	4/1919	Patterson	.	
1,816,702	7/1931	Small	.	
1,859,984	5/1932	Reese	.	
2,223,980	12/1940	Zent	228/40
2,887,261	5/1959	McGuire	228/40
3,075,612	1/1963	Gould	182/196
3,307,654	3/1967	Green et al.	182/198
3,315,762	4/1967	Torrey	182/198
3,385,399	5/1968	Burt	182/70
3,696,888	10/1972	Brandenberger	182/35
3,727,724	4/1973	Gilbert et al.	182/198
3,834,492	9/1974	Ronk	182/196
3,858,683	1/1975	Rachocki	182/156
3,907,064	9/1975	Svalberg et al.	182/70
3,946,834	3/1976	Shafer et al.	192/164
4,143,741	3/1979	Souza et al.	182/198
4,157,130	6/1979	Aberer	182/198
4,243,121	1/1981	Kiss et al.	182/196
4,434,871	3/1984	Niedworok	182/196
4,531,612	7/1985	Sandor	182/196
4,655,318	4/1987	Bowen	182/228 X
4,709,783	12/1987	Tomioka et al.	182/8
4,778,032	10/1988	Takahashi	182/90
4,867,275	9/1989	Islava et al.	182/198

[57] CLAIM

The ornamental design for a ladder rung, as shown and described.

DESCRIPTION

FIG. 1 is a perspective view of the ladder rung; FIG. 2 is a front elevational view of the ladder rung; FIG. 3 is a top plan view of the ladder rung; FIG. 4 is a rear elevational view of the ladder rung; and, FIG. 5 is a side elevational view of the ladder rung, the opposite side being a mirror image thereof. The bottom of the disclosed ladder rung is unadorned and does not form part of the respective designs.

1 Claim, 3 Drawing Sheets

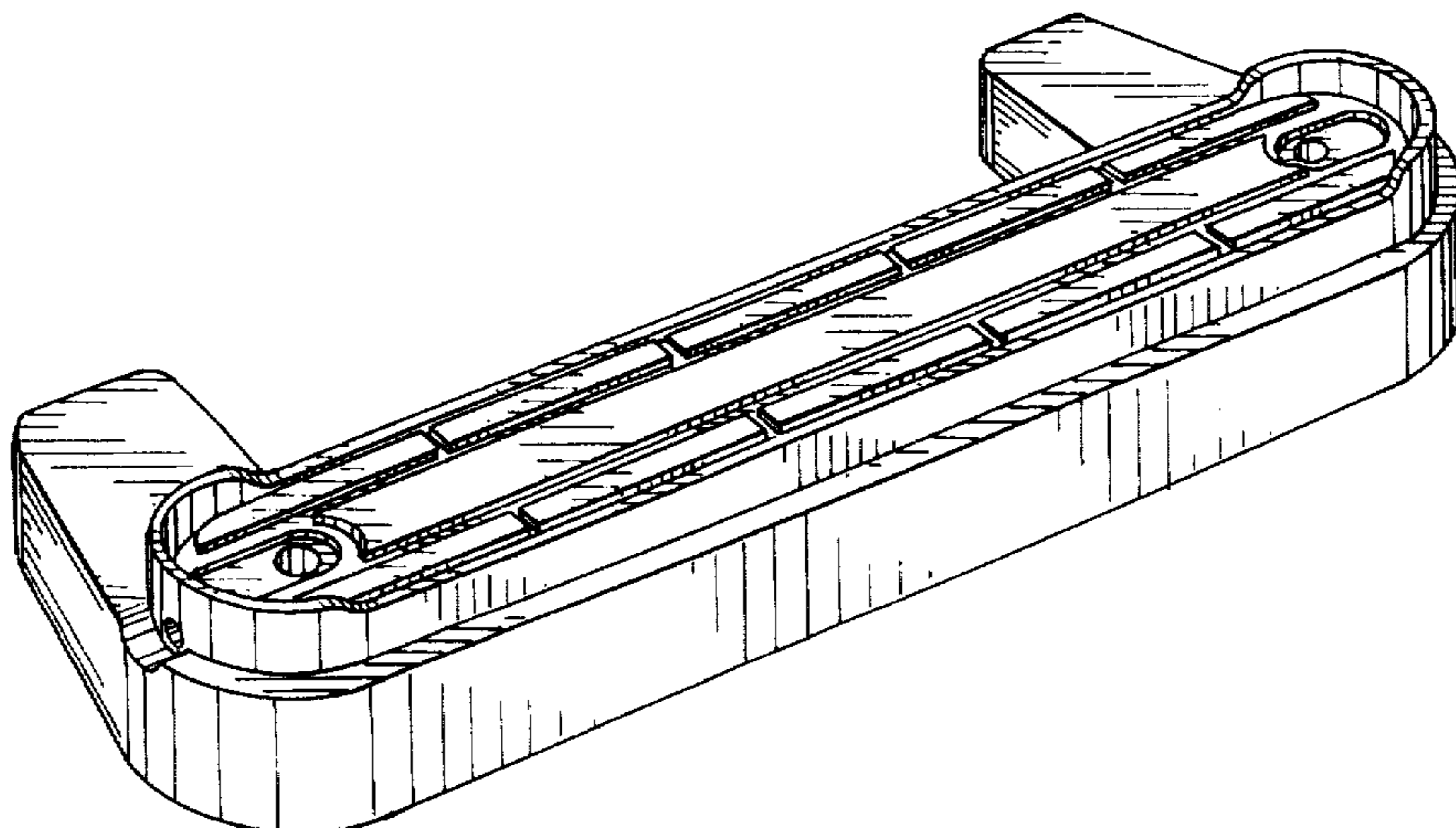


Fig. 1

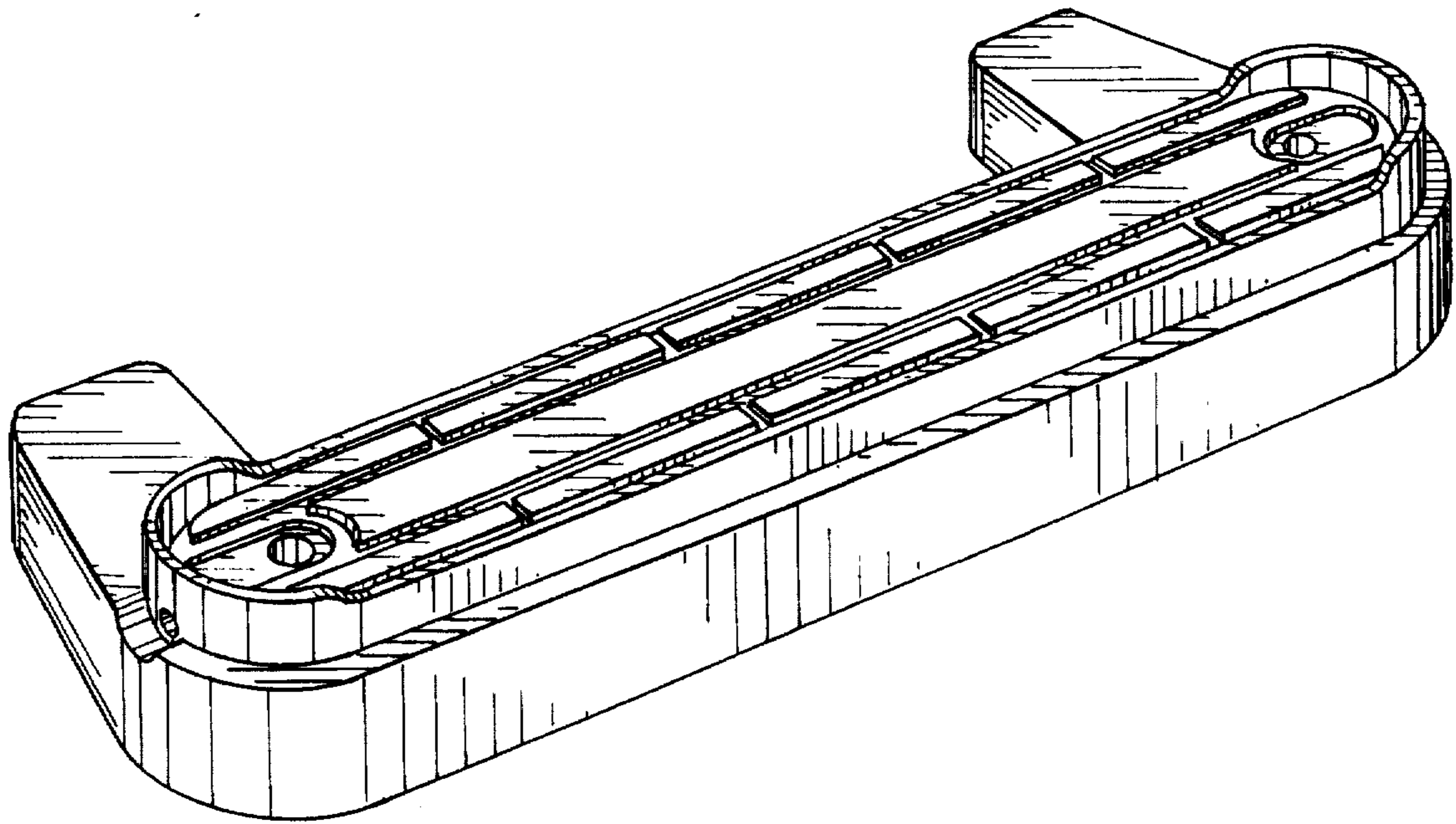


Fig. 2

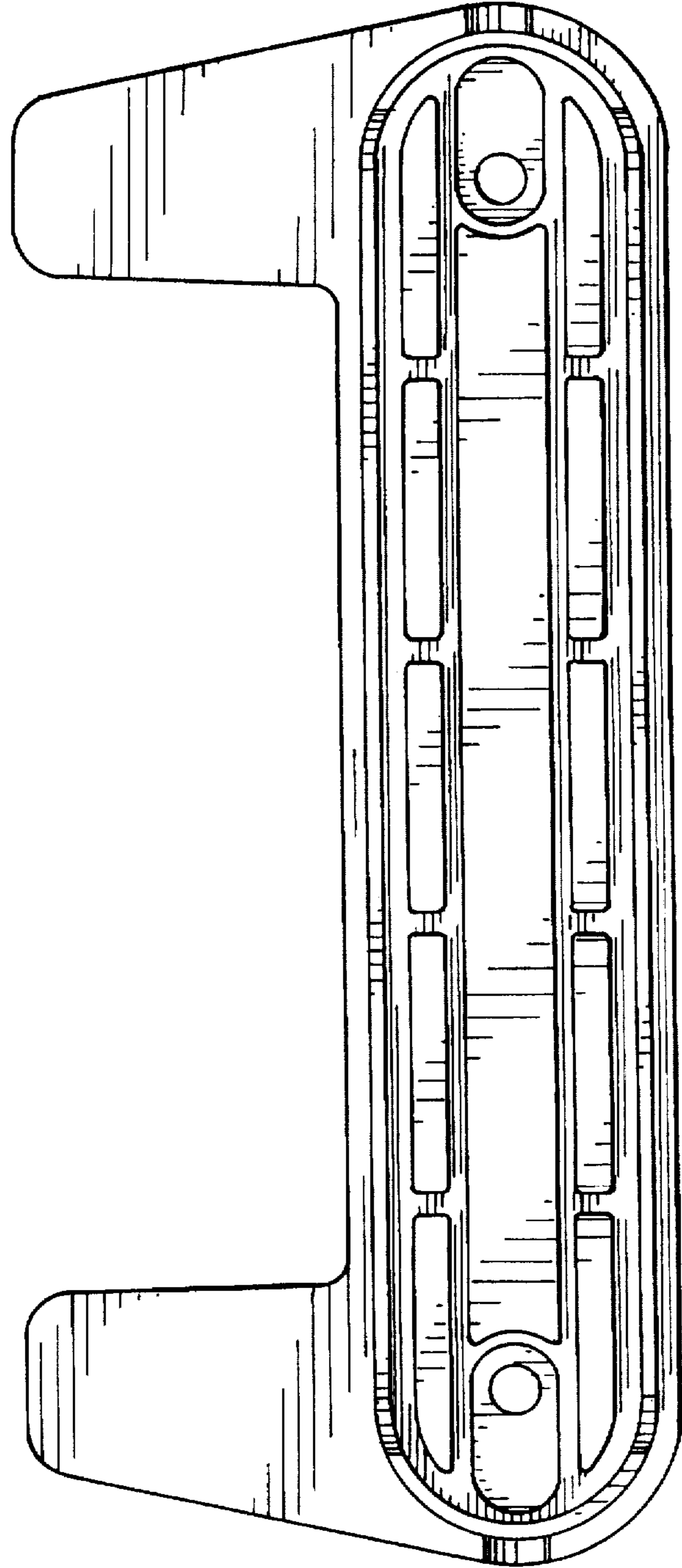
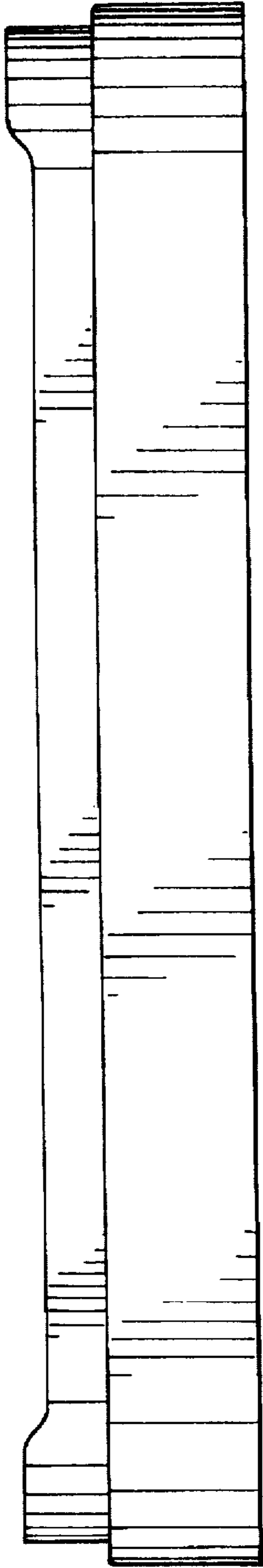


Fig. 3

Fig. 4

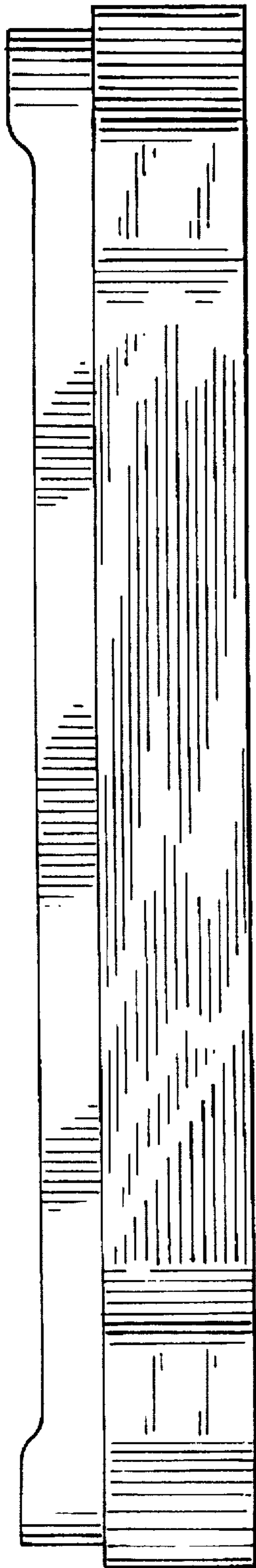


Fig. 5

