



US00D371851S

United States Patent [19]

[11] Patent Number: **Des. 371,851**

DeRosa

[45] Date of Patent: ****Jul. 16, 1996**

[54] COMBINED STERILIZER AND STORAGE TUBE FOR MEDICAL INSTRUMENTS

[76] Inventor: **Eolo DeRosa**, 22 Paton St., Shrewsbury, Mass. 01545

[**] Term: **14 Years**

[21] Appl. No.: **35,700**

[22] Filed: **Mar. 6, 1995**

[52] U.S. Cl. **D24/217**

[58] Field of Search D24/217; 422/292, 422/293, 297, 300, 294, 299, 301, 302

[56] References Cited

U.S. PATENT DOCUMENTS

D. 140,141	1/1945	Glatthar et al.	D83/1
D. 212,087	8/1968	Fishman	D16/2
D. 329,094	9/1992	Houman	D24/217
D. 335,925	5/1993	Newman	D24/128
1,785,232	12/1930	Sims .	
1,993,329	3/1935	Johnson	221/110
2,219,417	10/1940	Furr	21/86
2,457,500	12/1948	Scandura	21/87
2,943,745	7/1960	Bjornson	211/60
3,099,355	7/1963	Kane	211/75
3,321,068	5/1967	Beach	422/300 X
3,387,810	6/1968	Sakier	248/108
3,424,421	1/1969	Kalbow et al.	248/312
3,446,572	5/1969	Souza	21/83
4,327,060	4/1982	Nisii	422/300
4,496,522	1/1985	McConnell	422/300
4,748,007	5/1988	Gaudion et al.	422/300
4,754,877	7/1988	Johansson et al.	206/364

4,763,678	8/1988	Ott	134/171
4,995,509	2/1991	Kornfeind	206/209
5,225,160	7/1993	Sanford et al.	422/28
5,288,467	2/1994	Biermaier	422/293 X

OTHER PUBLICATIONS

Laryngoscope 102 Magazine, Jun. 1992, Aztec Medical Products, Inc. advertising for ENDOCADDY.

Primary Examiner—Louis S. Zarfes

Assistant Examiner—I. Simmons

Attorney, Agent, or Firm—Barlow & Barlow, Ltd.

[57] CLAIM

The ornamental design for a combined sterilizer and storage tube for medical instruments, as shown and described.

DESCRIPTION

FIG. 1 is a perspective view of a combined sterilizer and storage tube for medical instruments according to the present invention;

FIG. 2 is a top view thereof;

FIG. 3 is a bottom view thereof;

FIG. 4 is a right side view thereof;

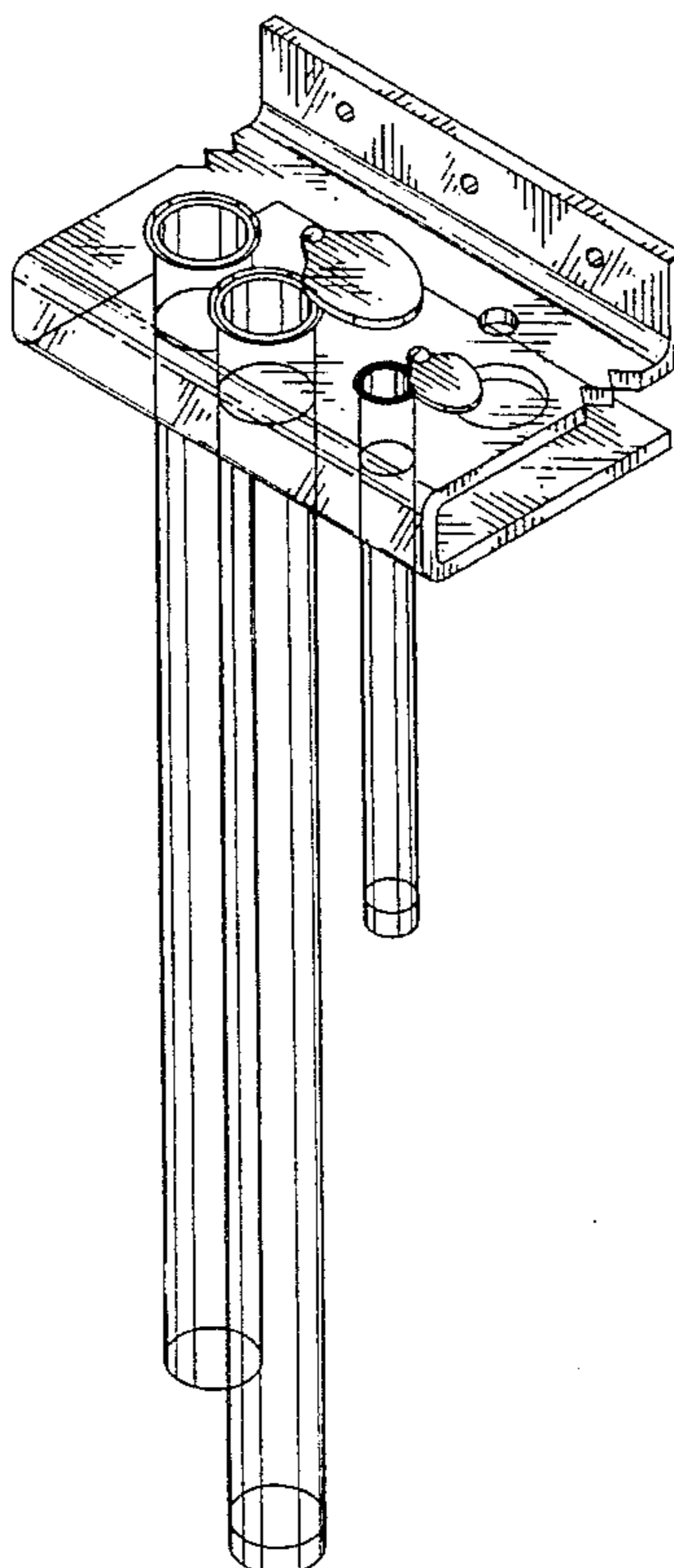
FIG. 5 is a left side view thereof;

FIG. 6 is a front view thereof;

FIG. 7 is a rear view thereof; and,

FIG. 8 is a perspective view of the combined sterilizer and storage tube for medical instruments in a mounted condition, the dotted lines represent a medical instrument, support wall and screw fasteners, which are not part of Applicant's invention.

1 Claim, 4 Drawing Sheets



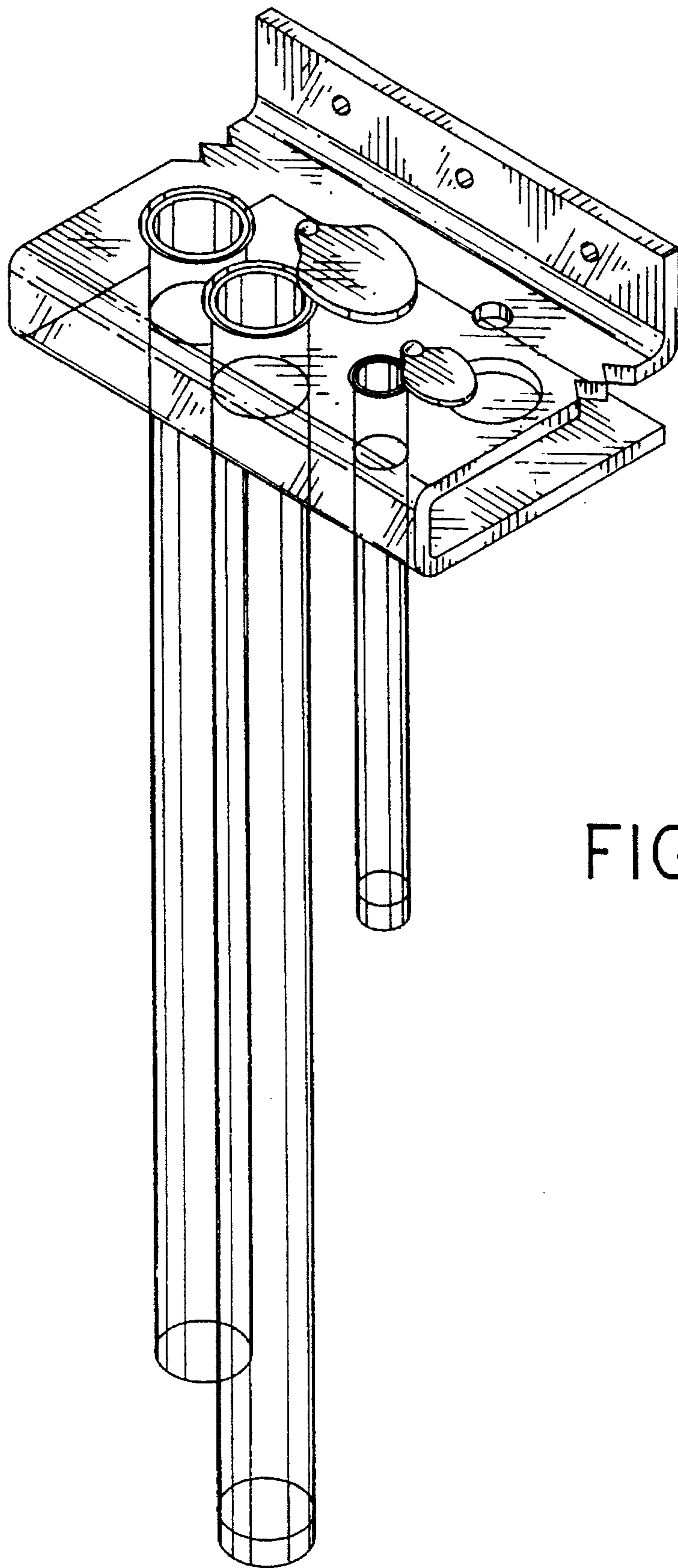


FIG. 1

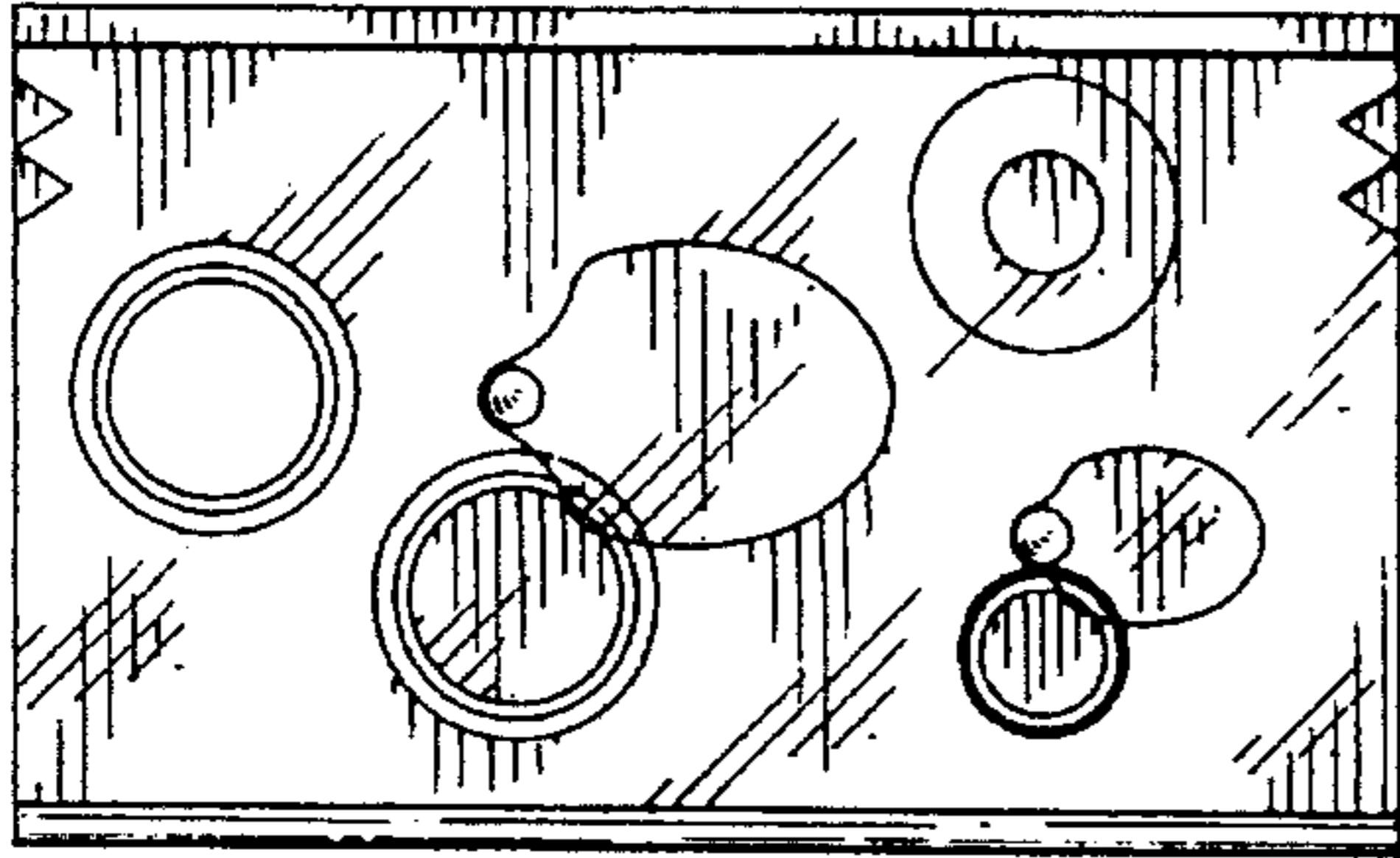


FIG. 2

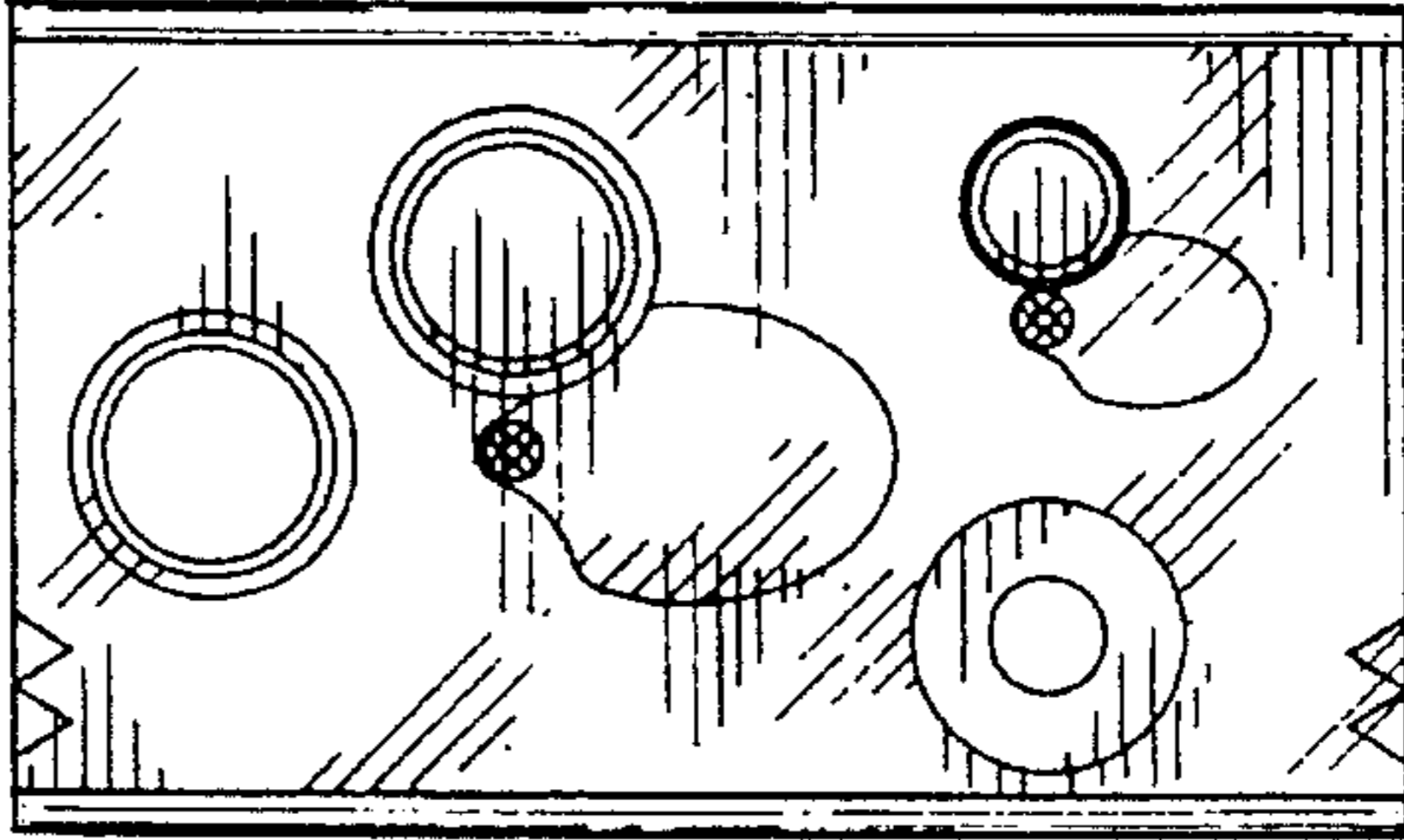


FIG. 3

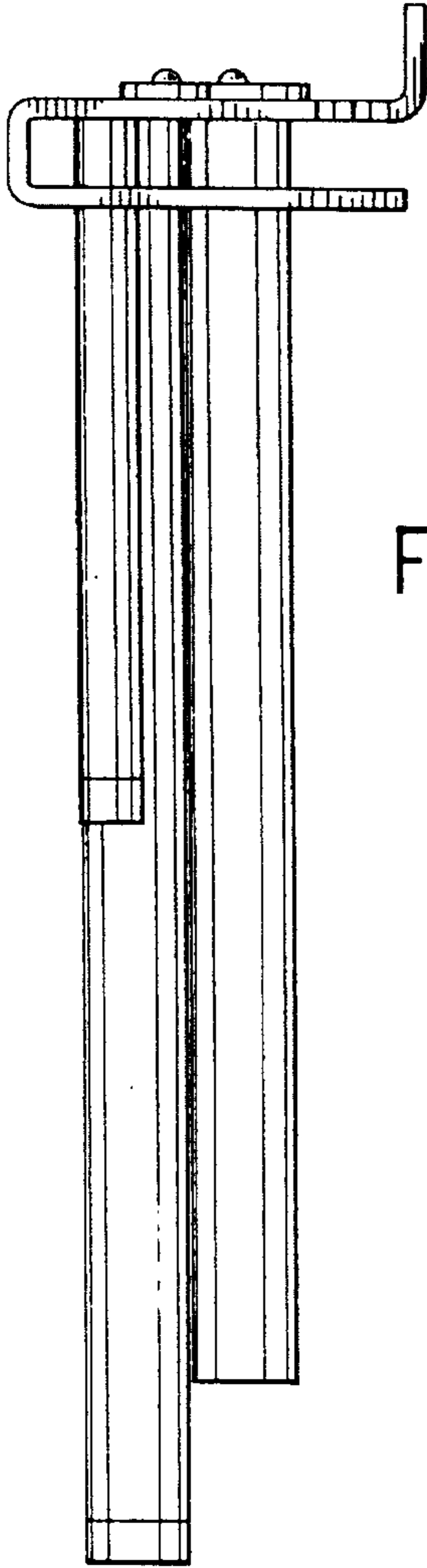


FIG. 4

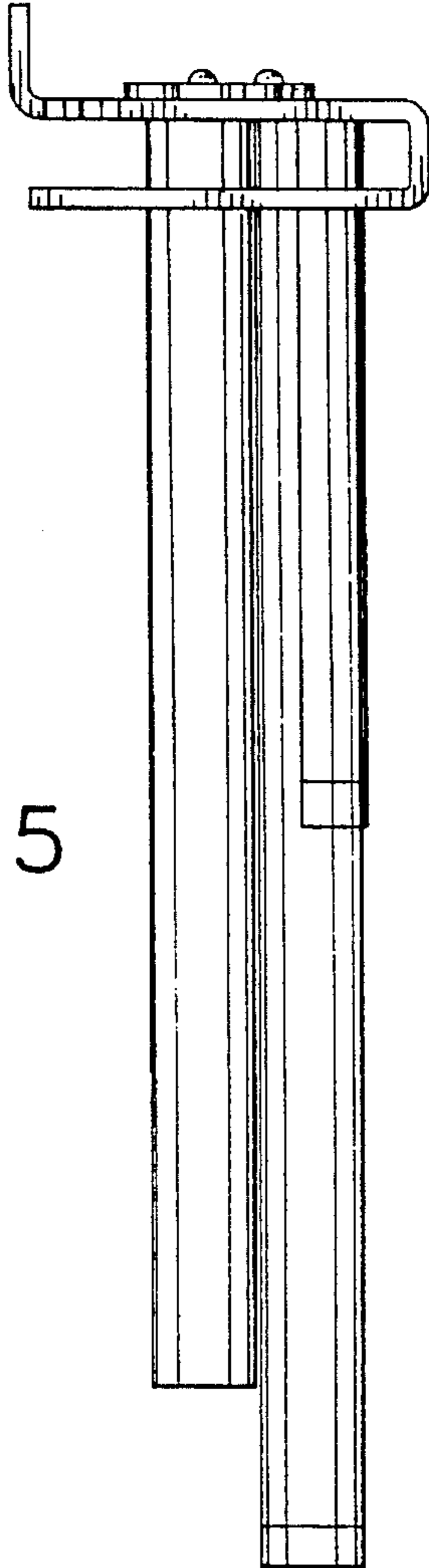


FIG. 5

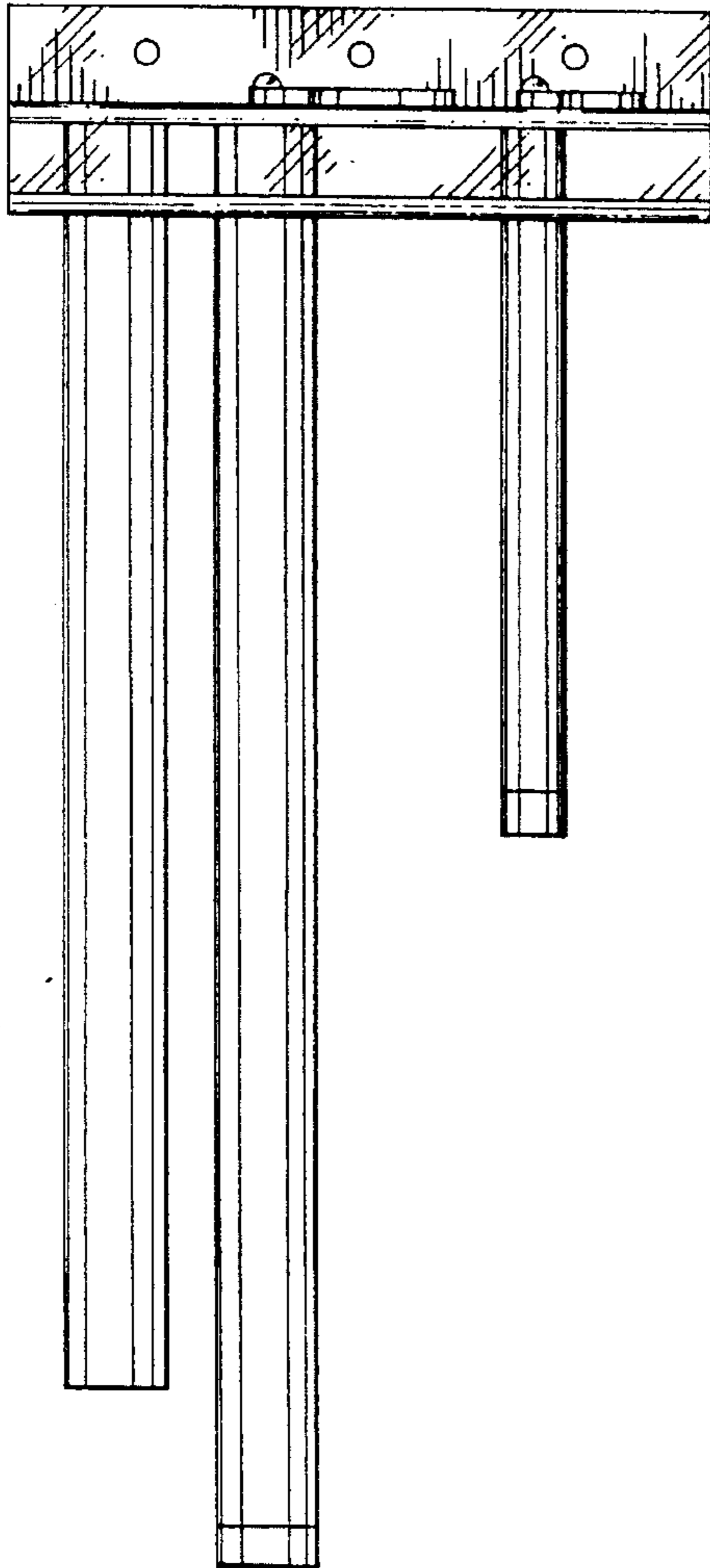


FIG. 6

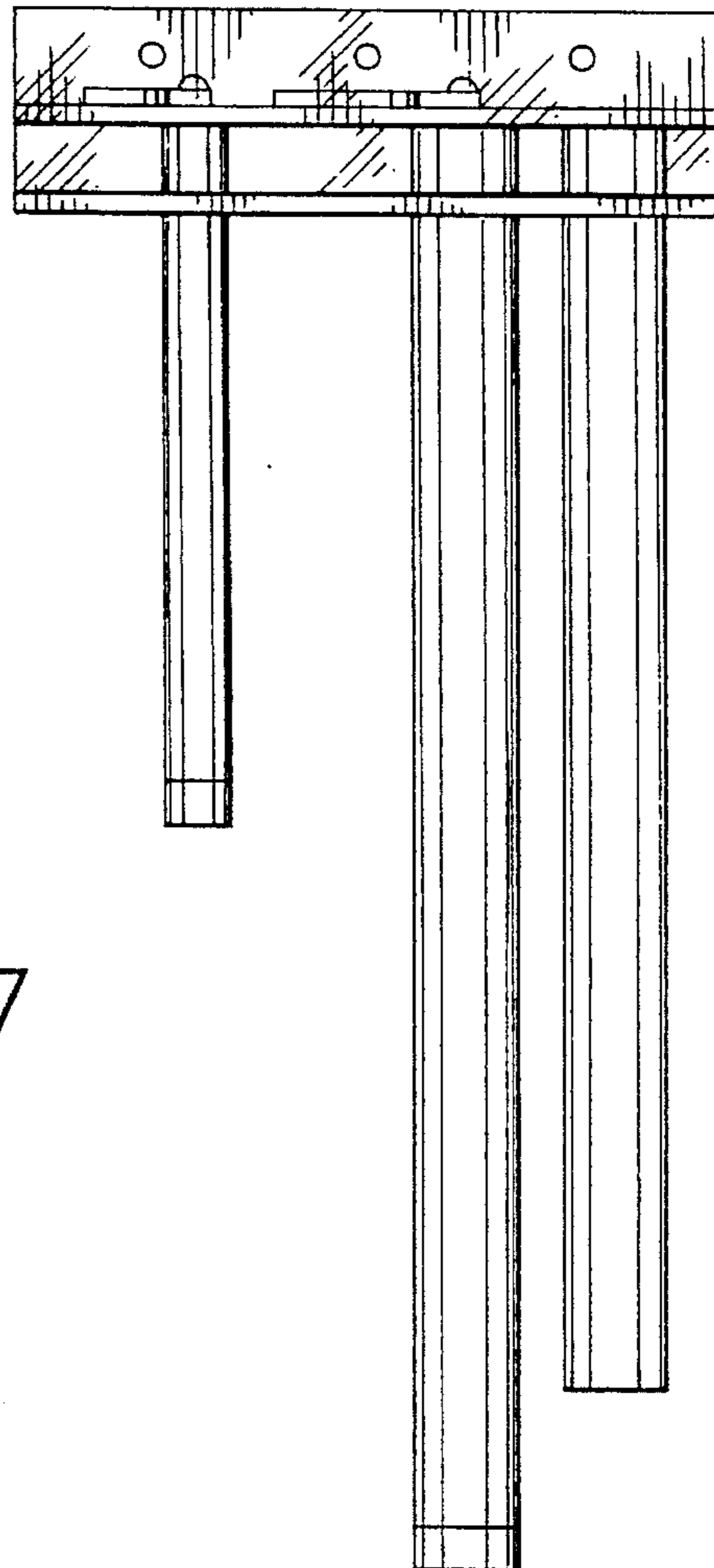


FIG. 7

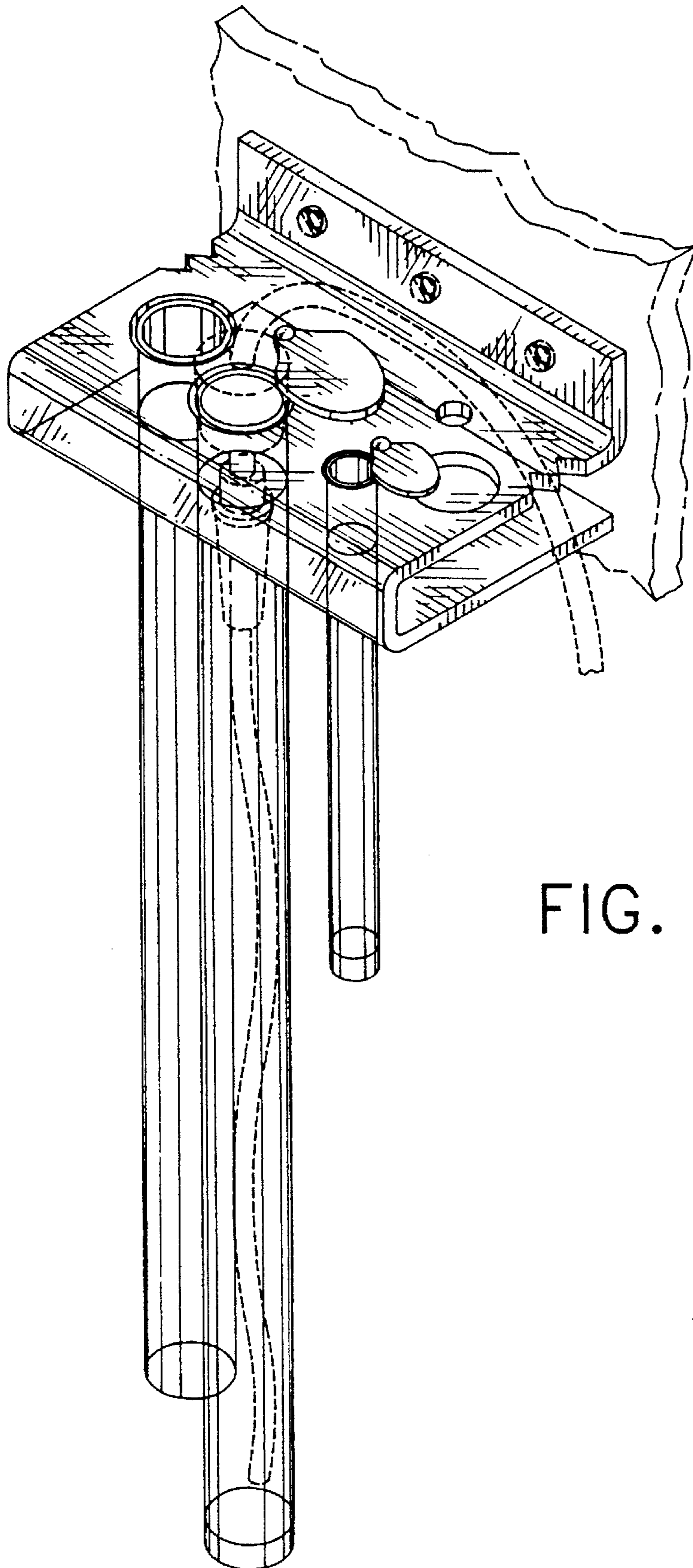


FIG. 8