



US00D371849S

United States Patent [19]
Thom

[11] **Patent Number: Des. 371,849**

[45] **Date of Patent: **Jul. 16, 1996**

[54] **COMBINED BABY BOTTLE AND CAP**

5,269,426 12/1993 Morano 215/11.6

[75] Inventor: **Paul Thom**, Montclair, N.J.

Primary Examiner—Stella Reid

Attorney, Agent, or Firm—Ohlandt, Greenley, Ruggiero & Perle

[73] Assignee: **Playtex Products, Inc.**, Westport, Conn.

[57] **CLAIM**

[**] Term: **14 Years**

The ornamental design for a combined baby bottle and cap, as shown and described.

[21] Appl. No.: **35,442**

[22] Filed: **Feb. 27, 1995**

[52] **U.S. Cl.** **D24/197**

[58] **Field of Search** D24/197; 215/11.1–11.6

DESCRIPTION

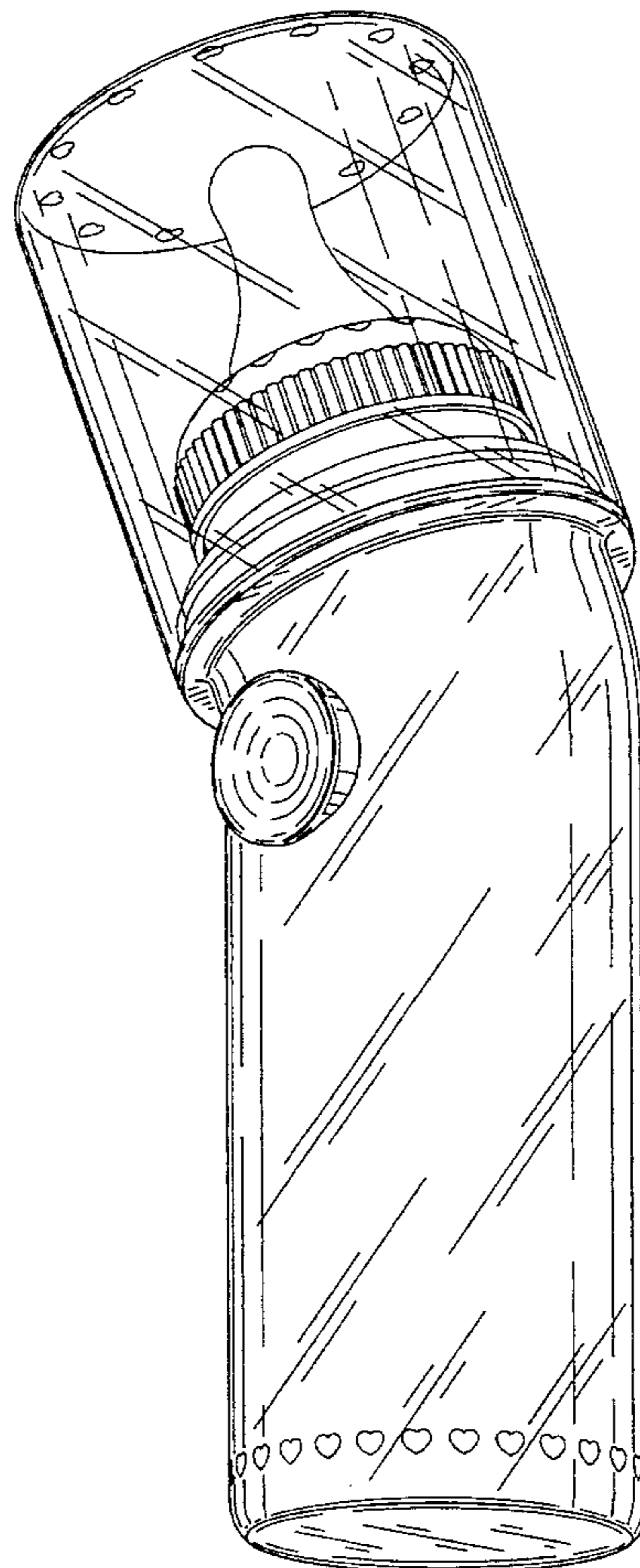
FIG. 1 is a perspective view of a baby bottle, showing my new design with the cap attached;
FIG. 2 is a perspective view thereof, opposite that shown in FIG. 1, with the cap removed;
FIG. 3 is a side elevational view thereof, with the cap attached, the opposite side elevational view being identical;
FIG. 4 is a top plan view of FIGS. 1 and 6;
FIG. 5 is a bottom plan view FIGS. 1 and 6;
FIG. 6 is a perspective view of a second embodiment of a smaller version of the baby bottle in FIG. 1, showing my new design with the cap attached;
FIG. 7 is a side elevational view thereof, with the cap removed; and,
FIG. 8 is a side elevational view thereof, with the cap removed, the opposite side elevational view being identical.

[56] **References Cited**

U.S. PATENT DOCUMENTS

D. 136,976	1/1944	Ostrin .	
D. 138,925	9/1944	Ostrin et al. .	
D. 226,688	4/1973	Thornton et al.	D83/8
D. 249,076	8/1978	Meeker et al.	D30/14
D. 309,781	8/1990	Sharon et al.	D24/47
D. 316,754	5/1991	Lau	D24/47
2,514,744	7/1950	Cipyak	215/11.1
3,145,867	8/1964	Roberts et al.	215/11
4,676,387	6/1987	Stephenson et al.	215/11
4,832,213	5/1989	Sharon et al.	215/11.1
4,867,325	9/1989	Dransfield	215/11.2
5,069,351	12/1991	Gunderson	D24/197 X

1 Claim, 7 Drawing Sheets



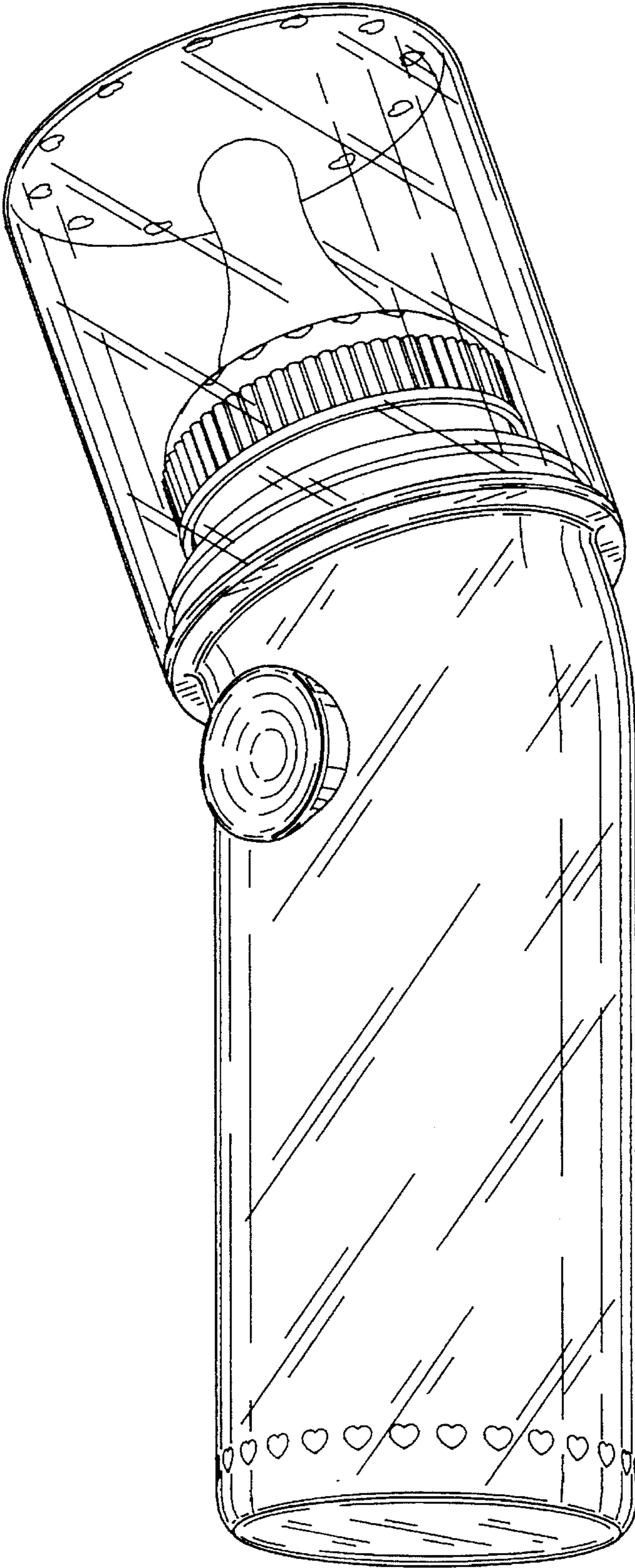
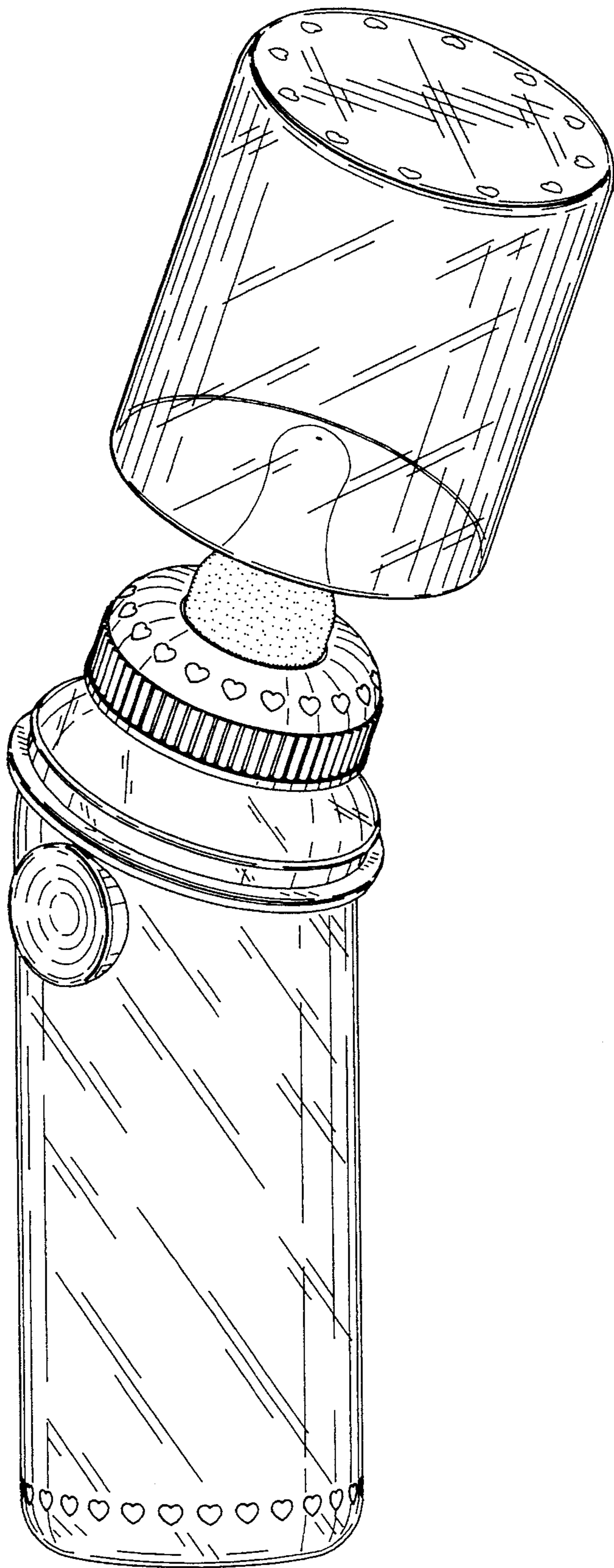


FIG. 1

FIG. 2



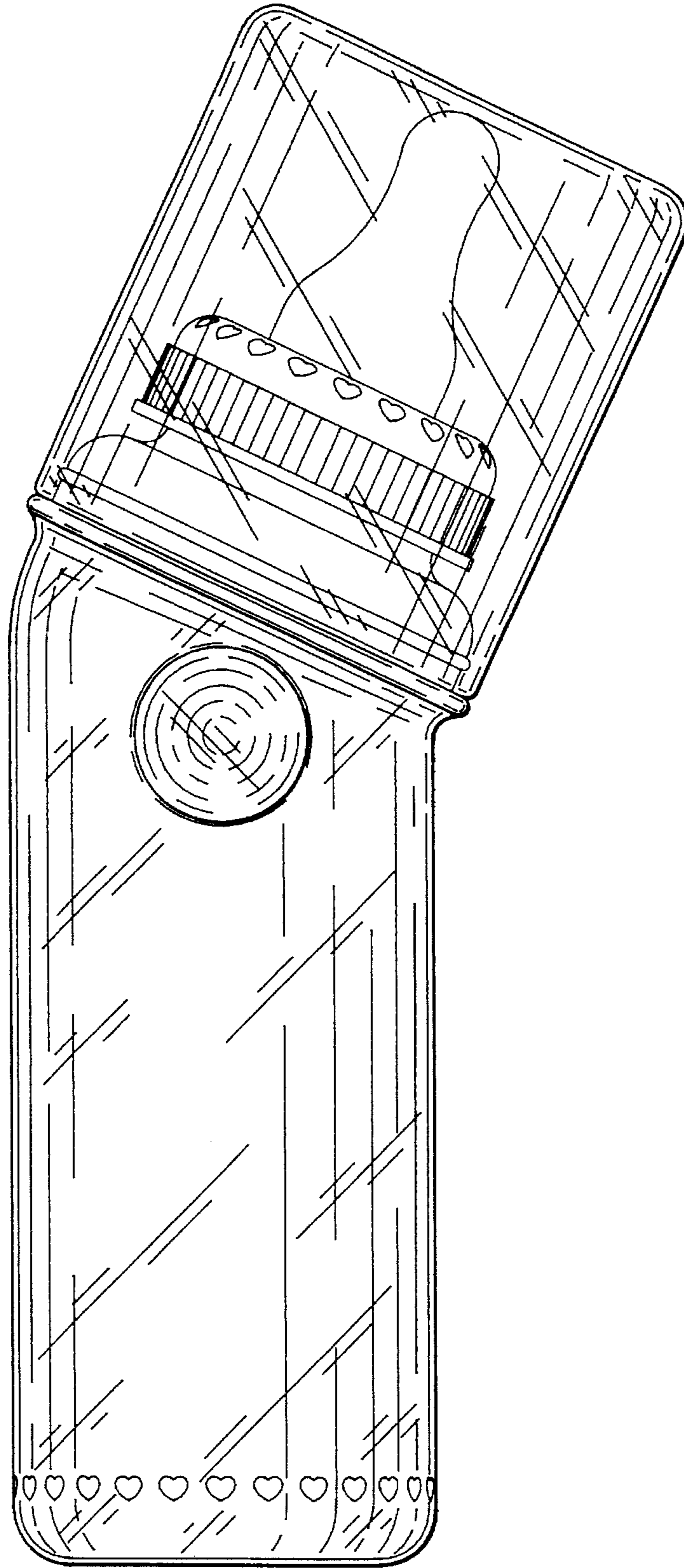


FIG. 3

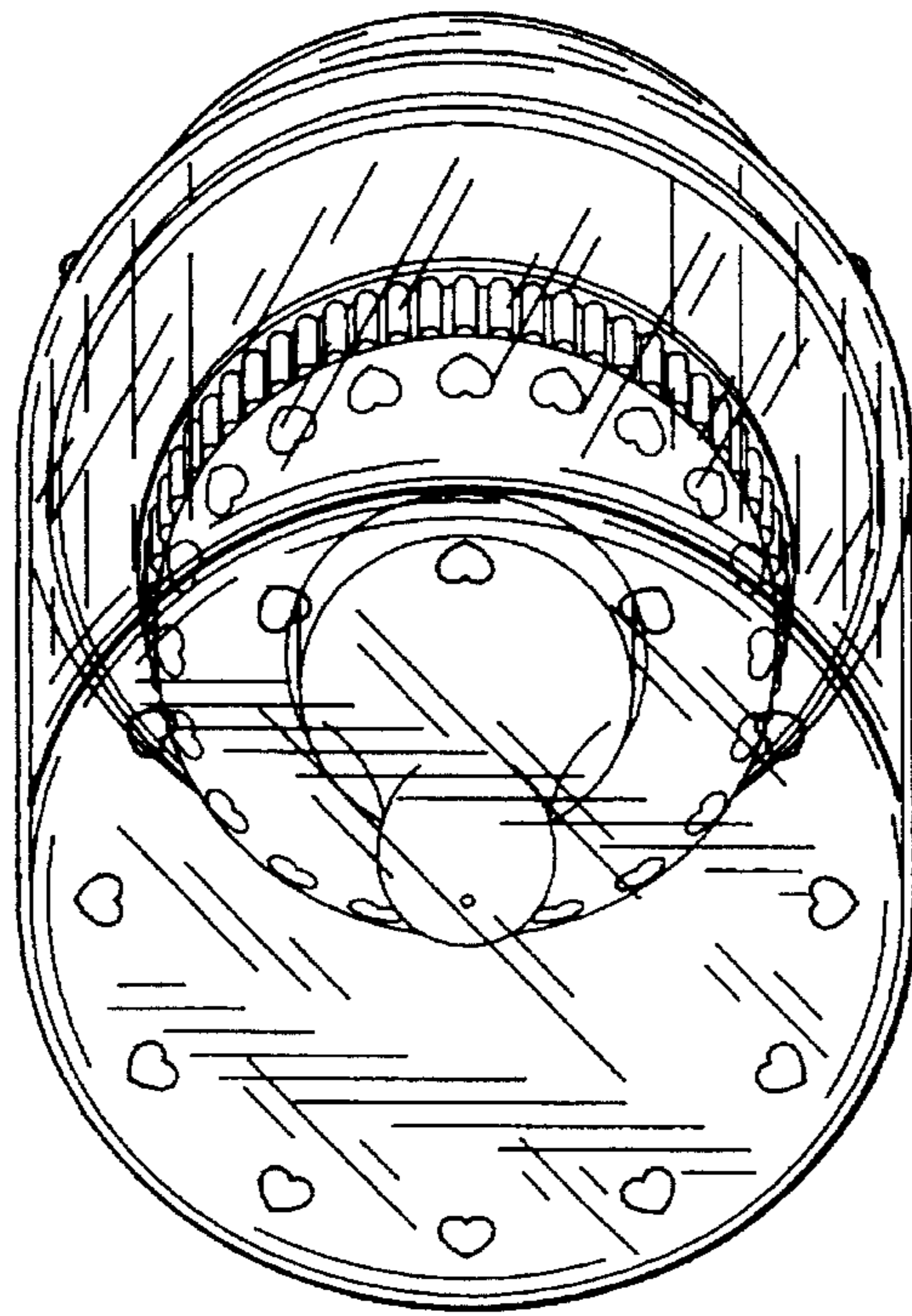


FIG. 4

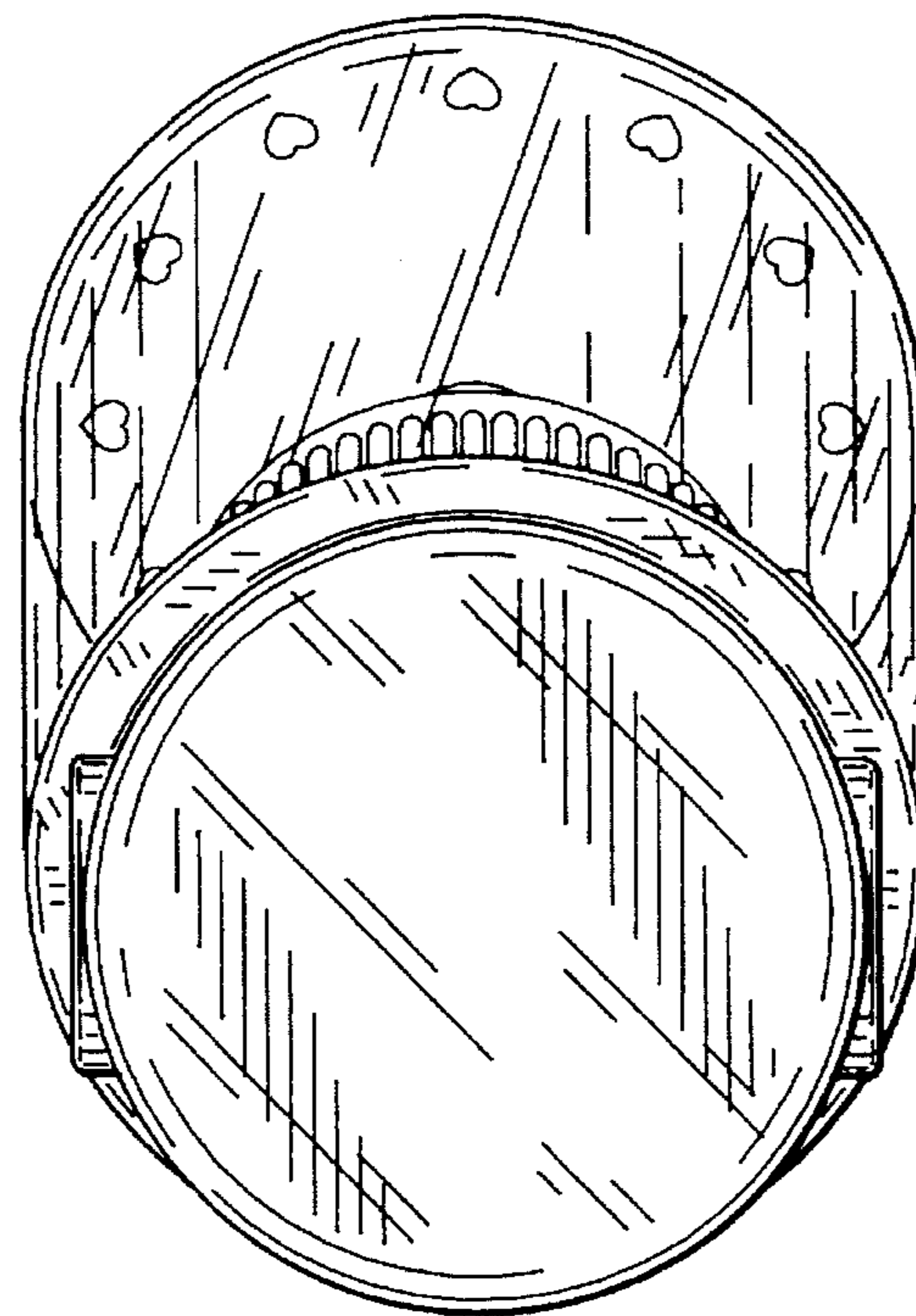


FIG. 5

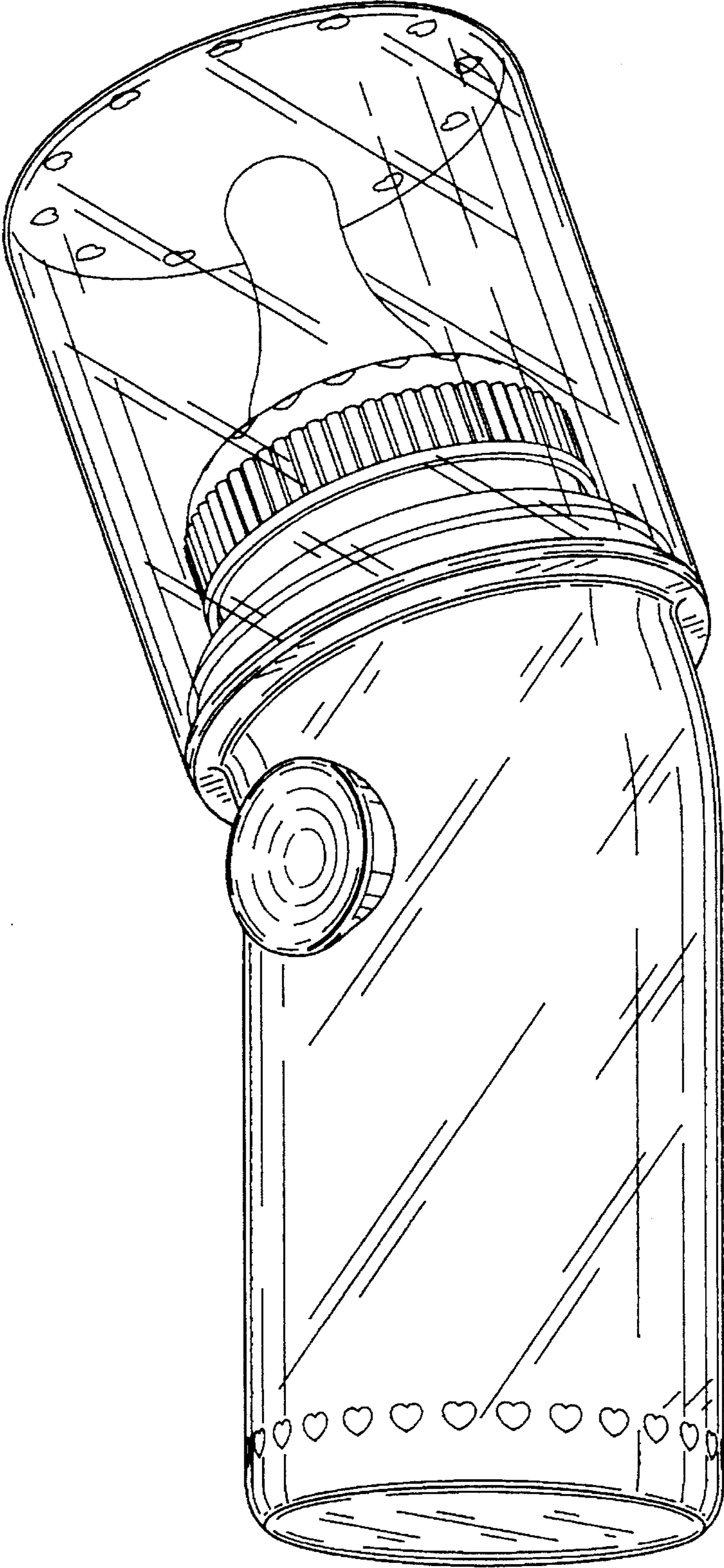


FIG. 6

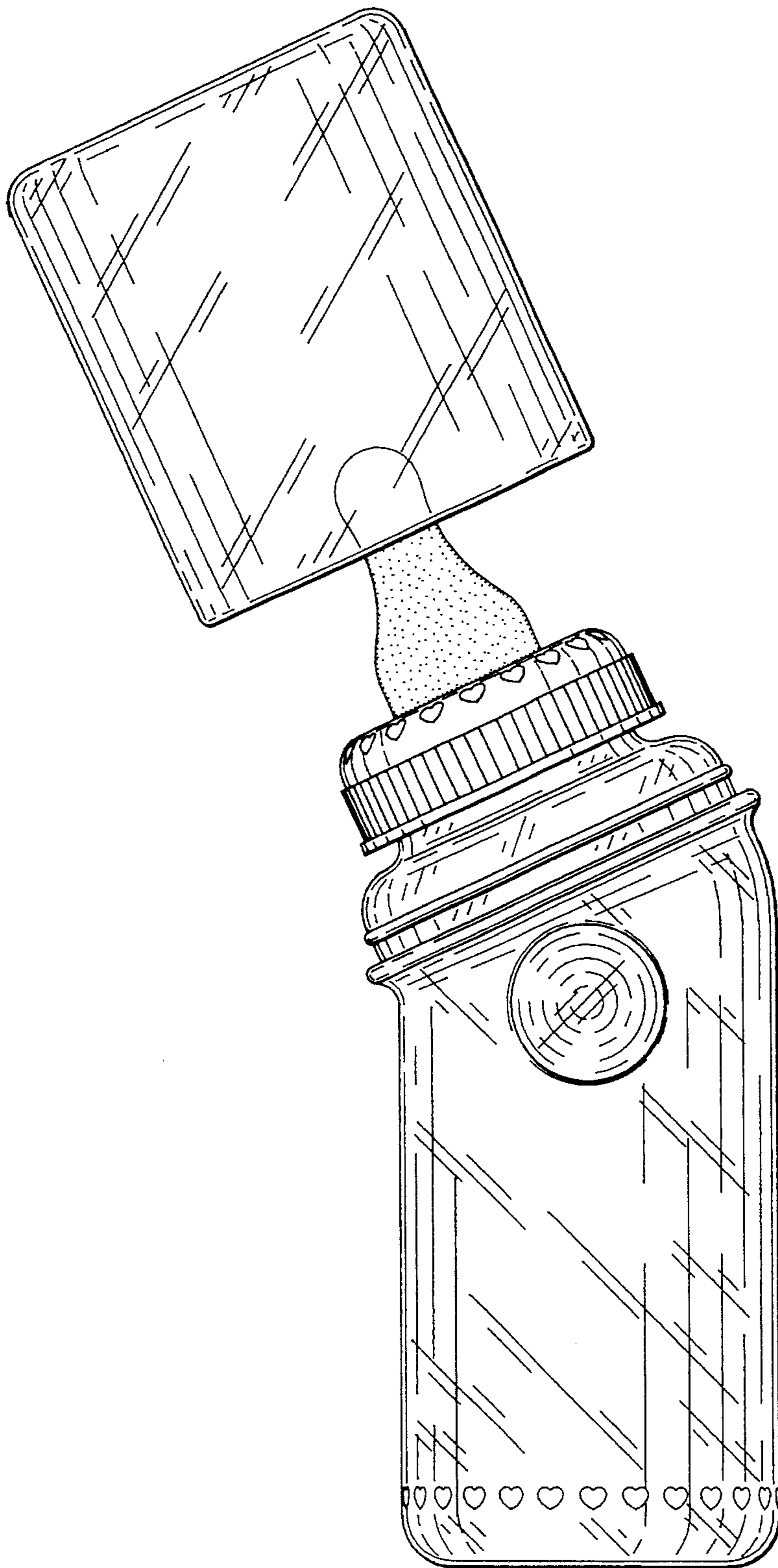


FIG. 7

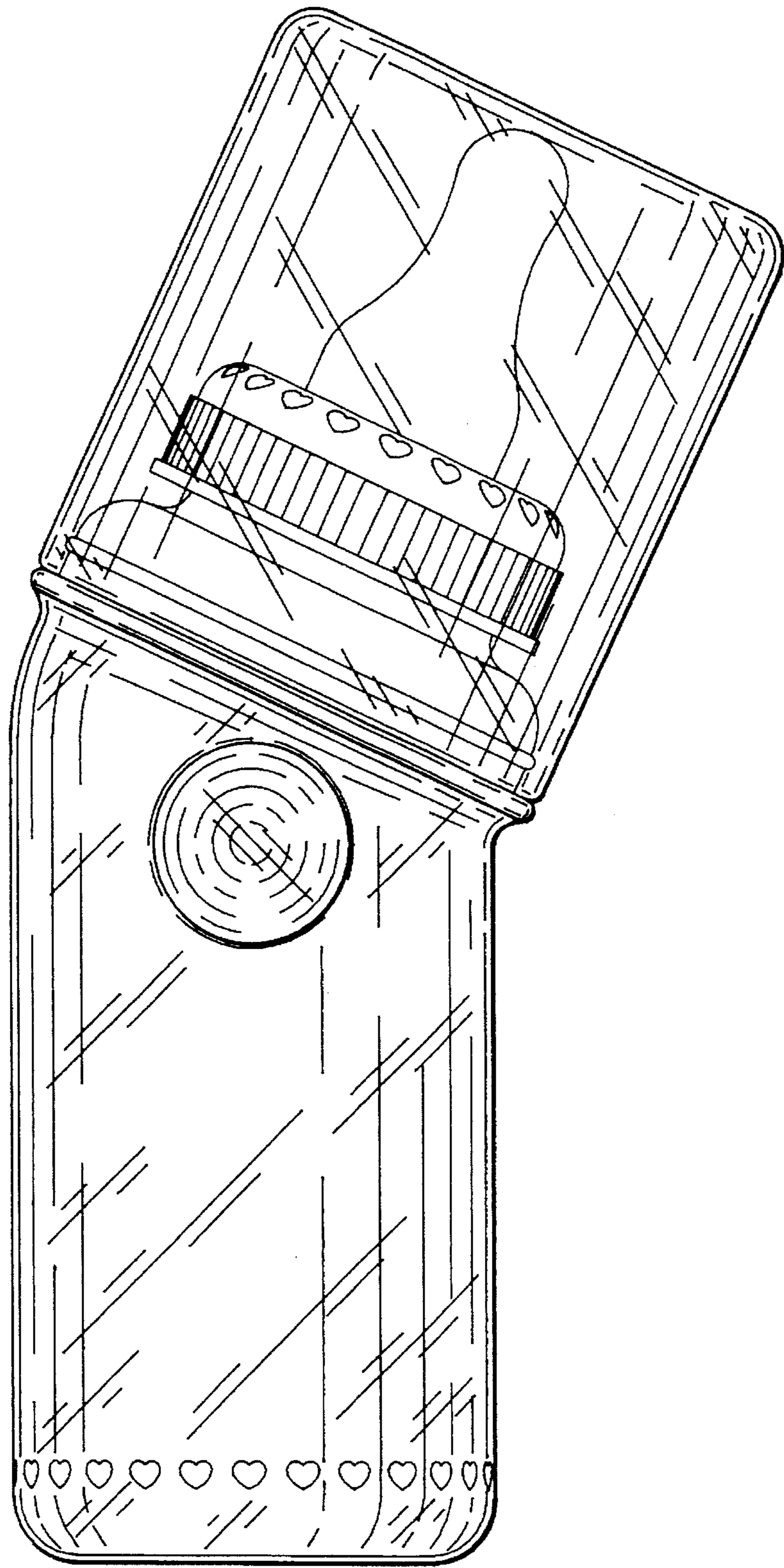


FIG. 8