



US00D371843S

# United States Patent [19]

Whitby et al.

[11] Patent Number: **Des. 371,843**

[45] Date of Patent: **\*\*Jul. 16, 1996**

[54] **X-RAY FILM PROCESSOR**

[75] Inventors: **Laura R. Whitby**, Rochester; **Richard K. Neace**, Hilton, both of N.Y.

[73] Assignee: **Eastman Kodak Company**, Rochester, N.Y.

[\*\*] Term: **14 Years**

[21] Appl. No.: **35,684**

[22] Filed: **Mar. 3, 1995**

[52] U.S. Cl. .... **D24/158**

[58] Field of Search ..... D24/158; 354/331, 354/328, 299; 378/185, 183, 182; D16/247

[56] **References Cited**

**U.S. PATENT DOCUMENTS**

- D. 236,158 7/1975 Hope ..... D61/1 Q
- D. 272,360 1/1984 Schlagheck et al. .... D16/34
- D. 272,744 2/1984 Schlagheck et al. .... D16/34
- D. 273,872 5/1984 Schlagheck et al. .... D16/34

- D. 312,690 12/1990 Reibl ..... D24/2
- D. 340,520 10/1993 Reibl ..... D24/158
- 4,239,366 12/1980 Vackier et al. .... 354/310

*Primary Examiner*—Stella Reid  
*Attorney, Agent, or Firm*—Charles E. Snee, III

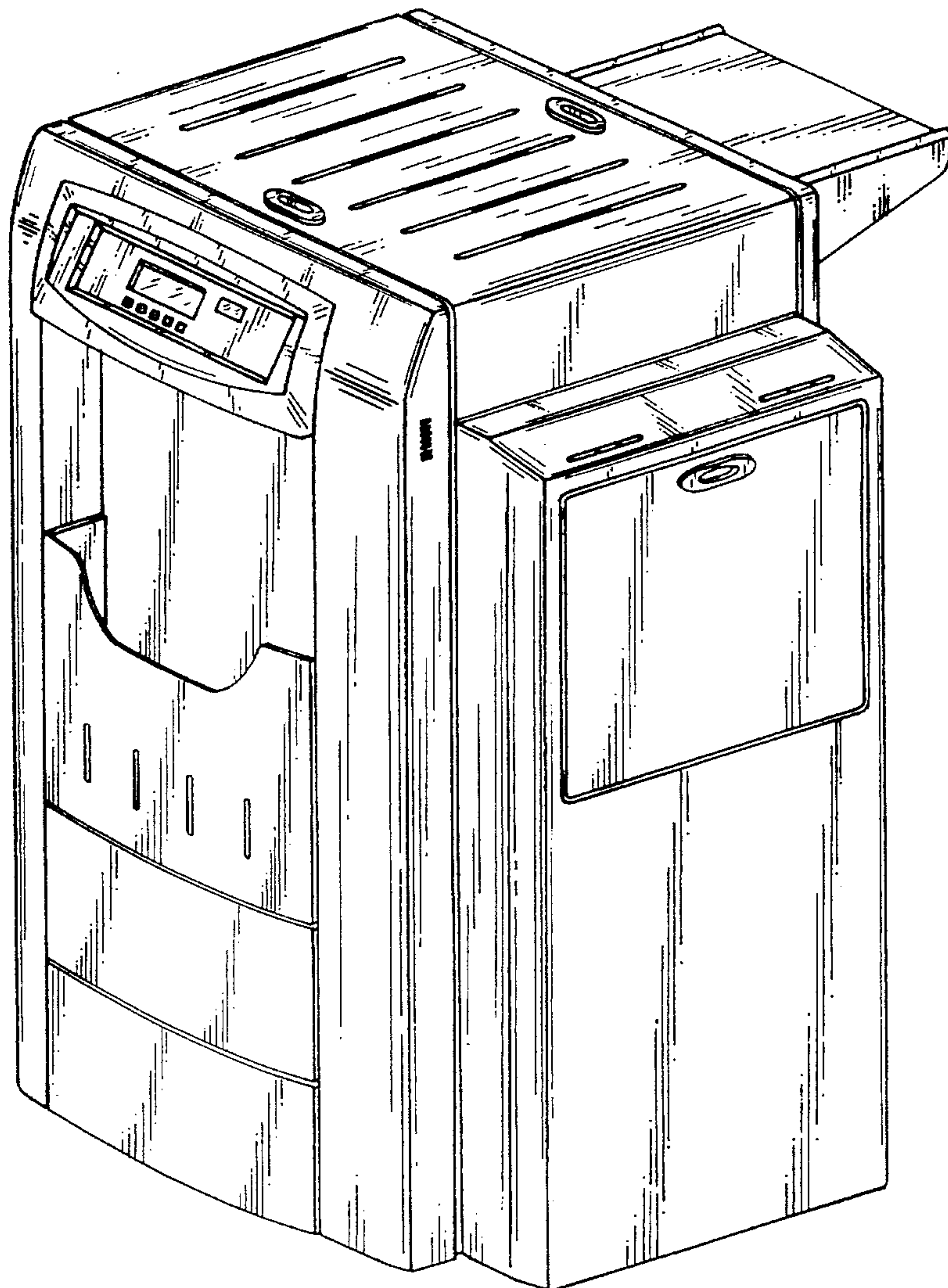
[57] **CLAIM**

The ornamental design for an X-ray film processor, as shown and described.

**DESCRIPTION**

FIG. 1 shows a perspective view of an X-ray film processor embodying our new design;  
 FIG. 2 shows a front view of our new design;  
 FIG. 3 shows a side view as seen from left of FIG. 2;  
 FIG. 4 shows a side view as seen from the right of FIG. 2;  
 FIG. 5 shows a rear view of our design;  
 FIG. 6 shows a top view of our design; and,  
 FIG. 7 shows a bottom view of our design.

**1 Claim, 6 Drawing Sheets**



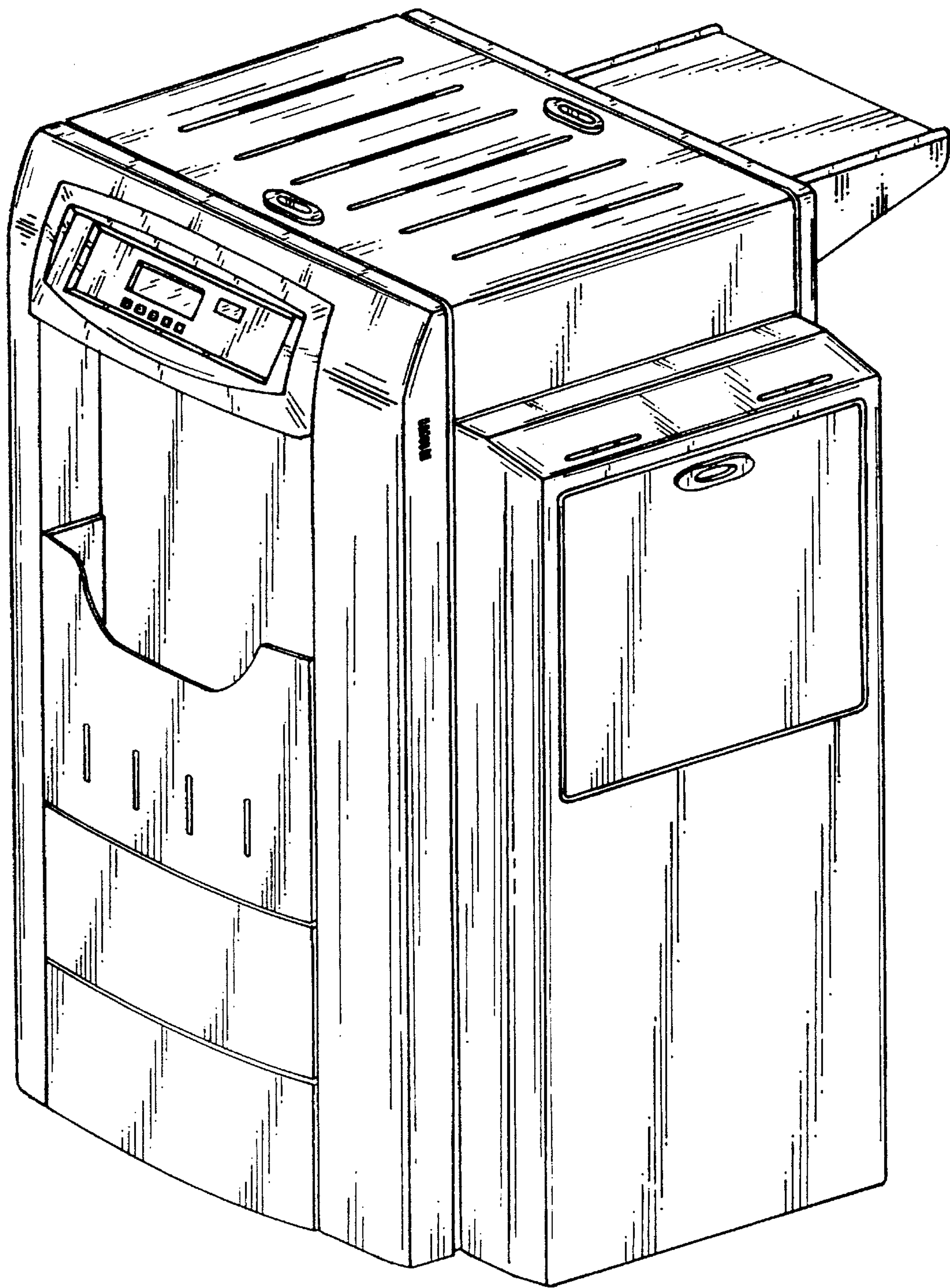


FIG. 1

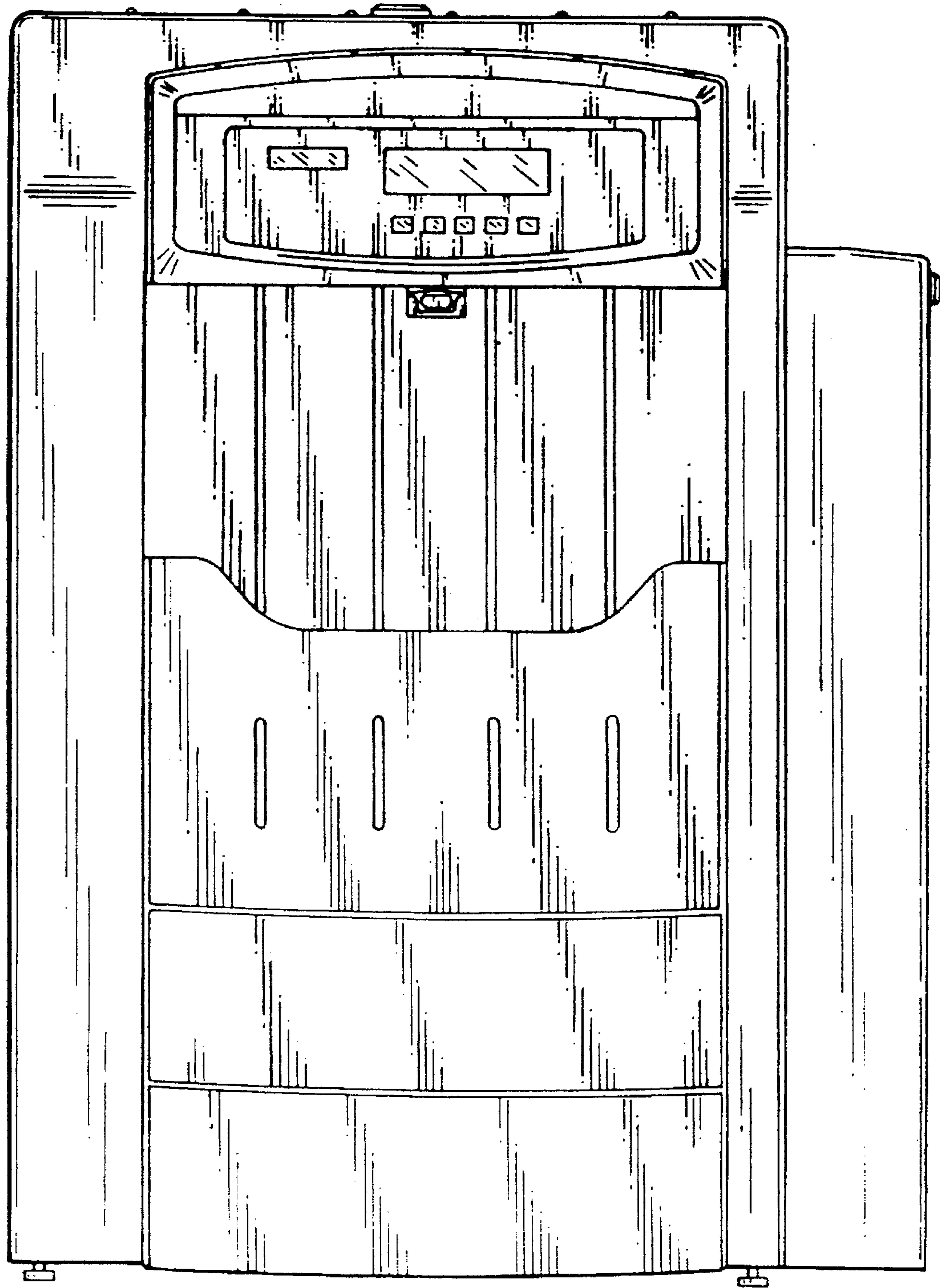


FIG. 2



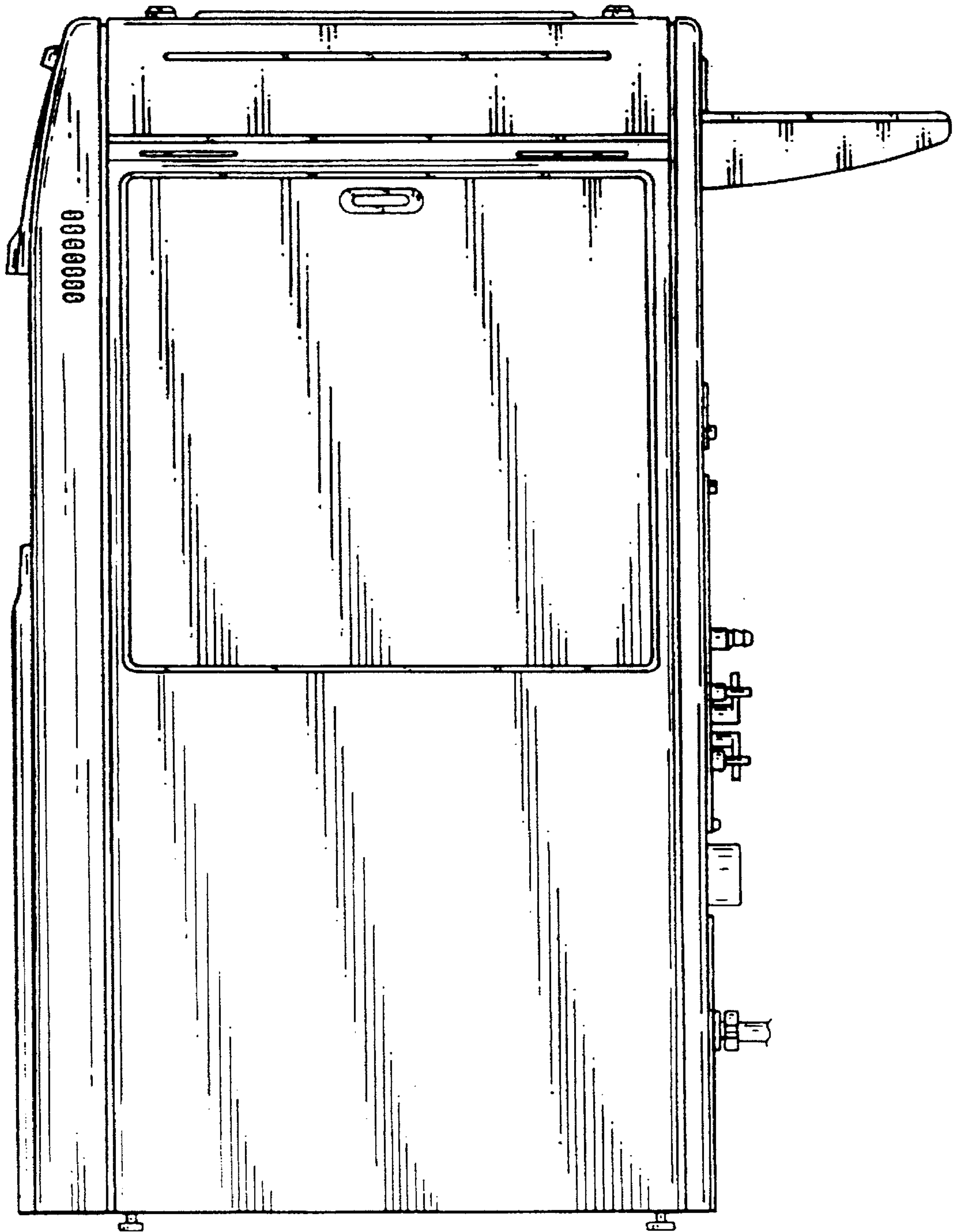


FIG. 3

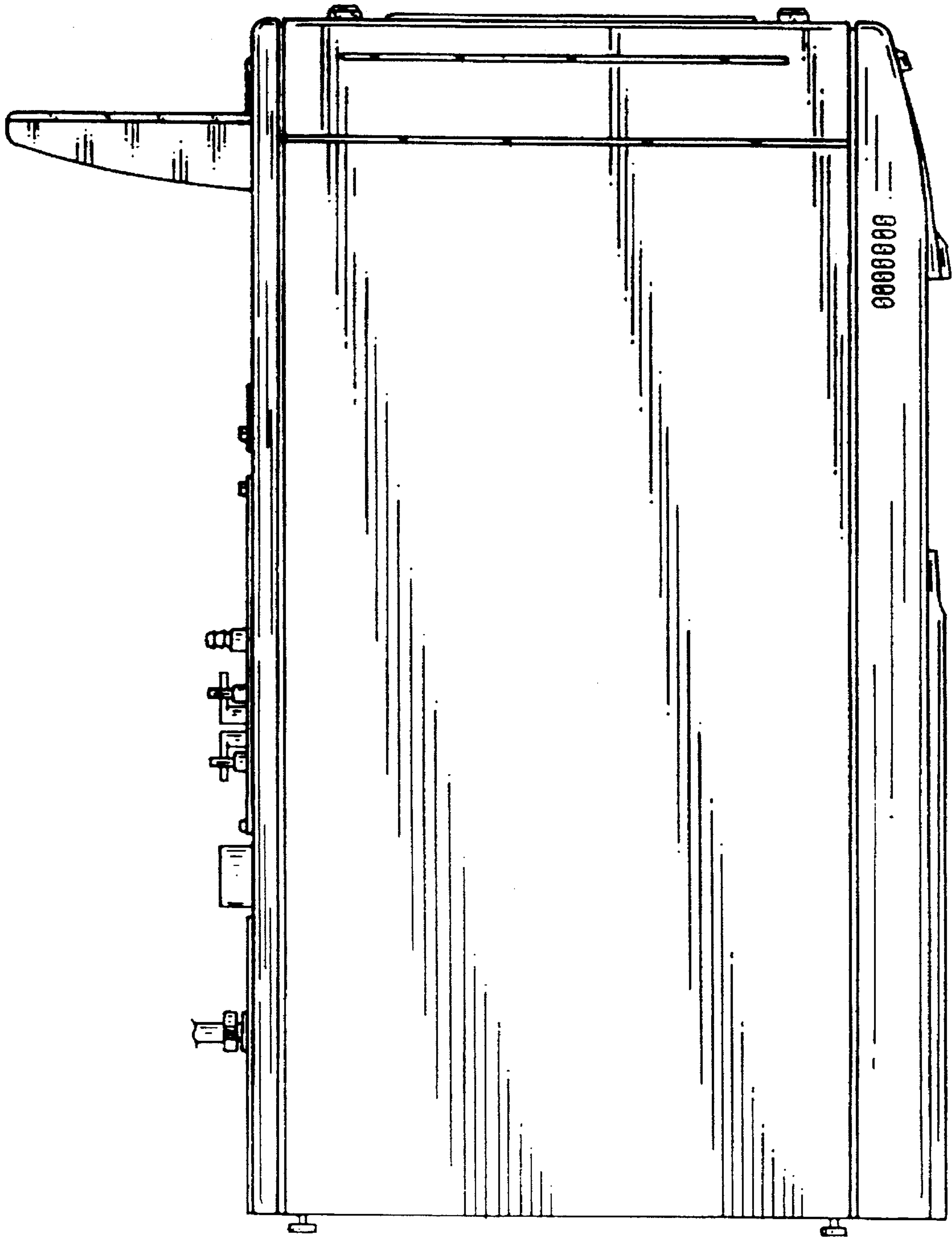


FIG. 4

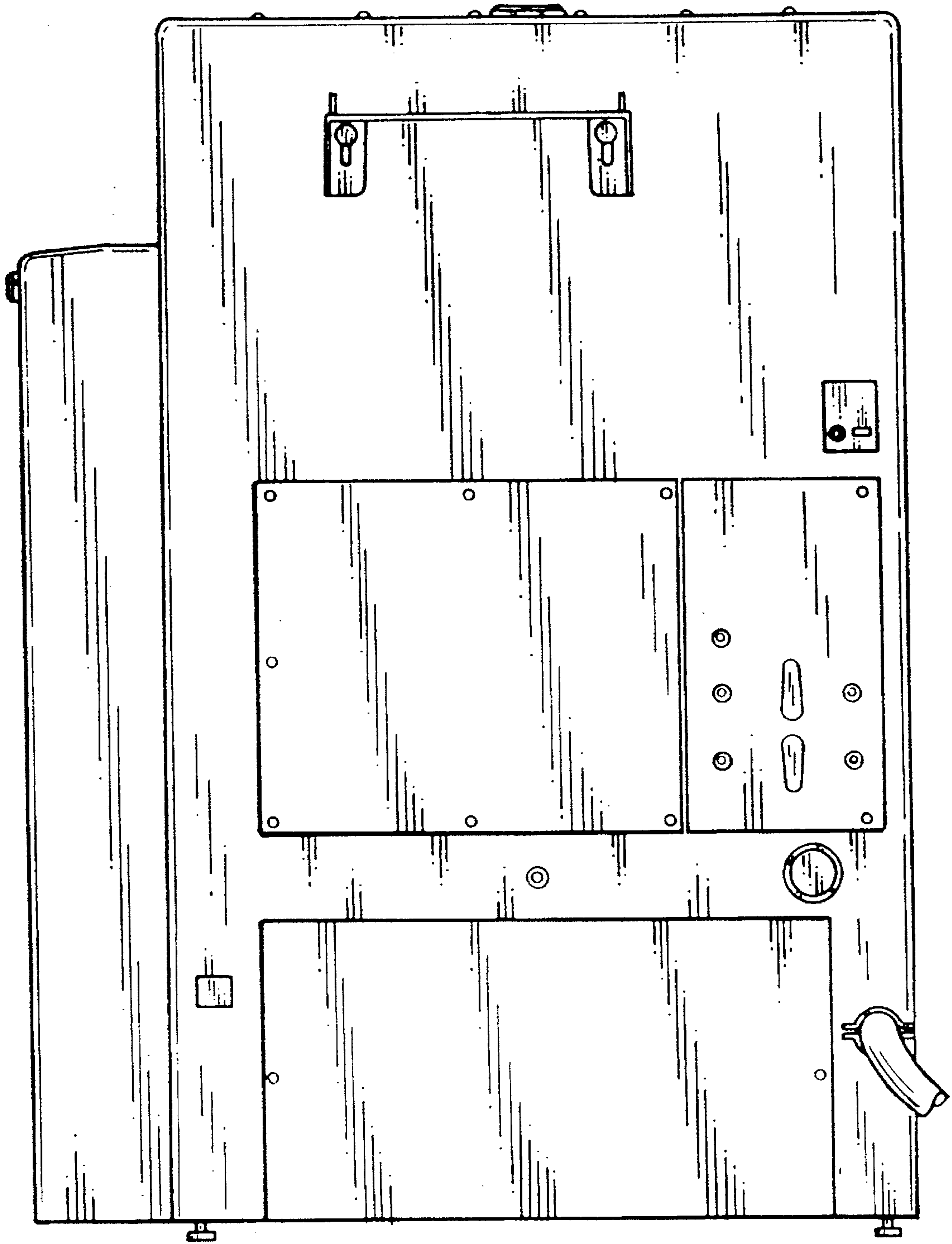


FIG. 5

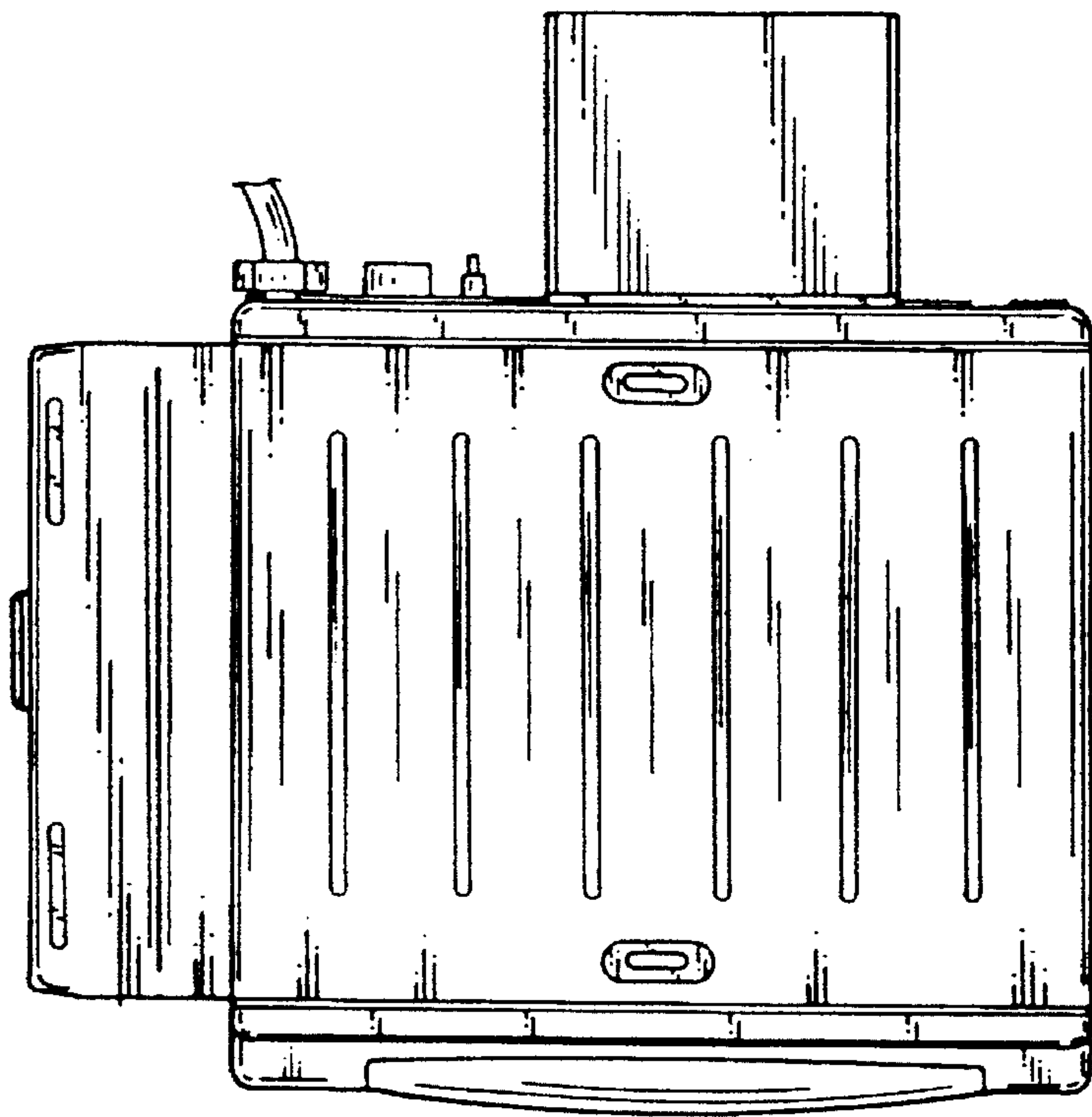


FIG. 6

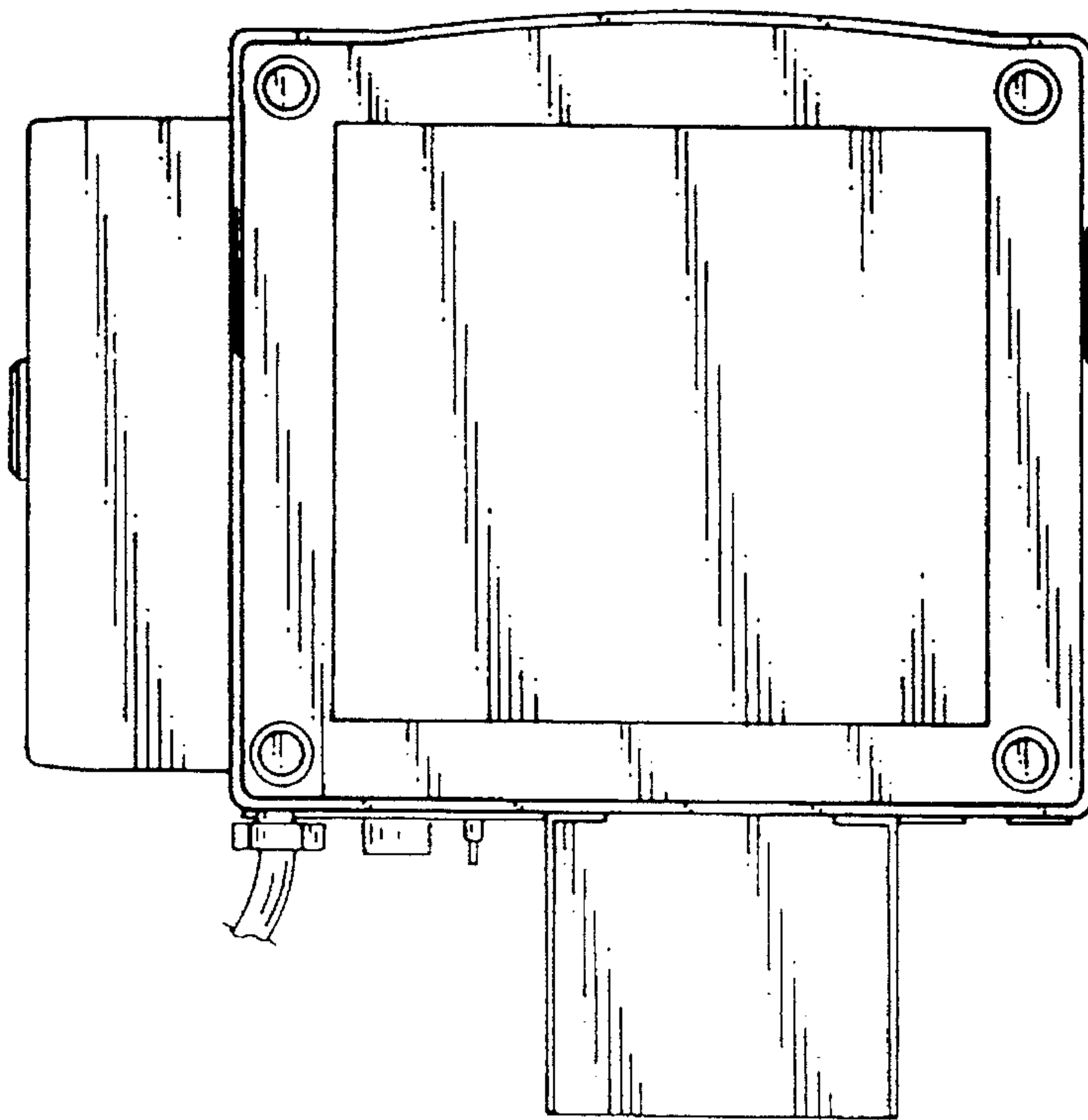


FIG. 7