



US00D371842S

United States Patent [19] Pilsworth

[11] **Patent Number: Des. 371,842**

[45] **Date of Patent: **Jul. 16, 1996**

[54] **URINAL**

[75] **Inventor: John Pilsworth, Ramsbottom, England**

[73] **Assignee: Vernacare Limited, Bolton, England**

[**] **Term: 14 Years**

[21] **Appl. No.: 28,236**

[22] **Filed: Sep. 9, 1994**

[30] Foreign Application Priority Data

Apr. 14, 1994 [GB] United Kingdom 2038385

[52] **U.S. Cl. D24/122; D9/527**

[58] **Field of Search 4/144.1, 144.2,
4/144.3, 301; 604/349, 346, 347; D24/122,
121, 112**

[56] References Cited

U.S. PATENT DOCUMENTS

D. 348,315 6/1994 Hanifi et al. D24/122
5,343,570 9/1994 Arpaia et al. 4/144.1

OTHER PUBLICATIONS

Leaflet Entitled "The last thing they need is lifting", by Vernacare Limited.

Leaflet Entitled "Disposable products and ancillaries—Technical Data"; The Vernacare System; By Vernacare Limited; Mar. 1993.

Primary Examiner—Alan P. Douglas
Assistant Examiner—Linda Brooks
Attorney, Agent, or Firm—Christie, Parker & Hale

[57] CLAIM

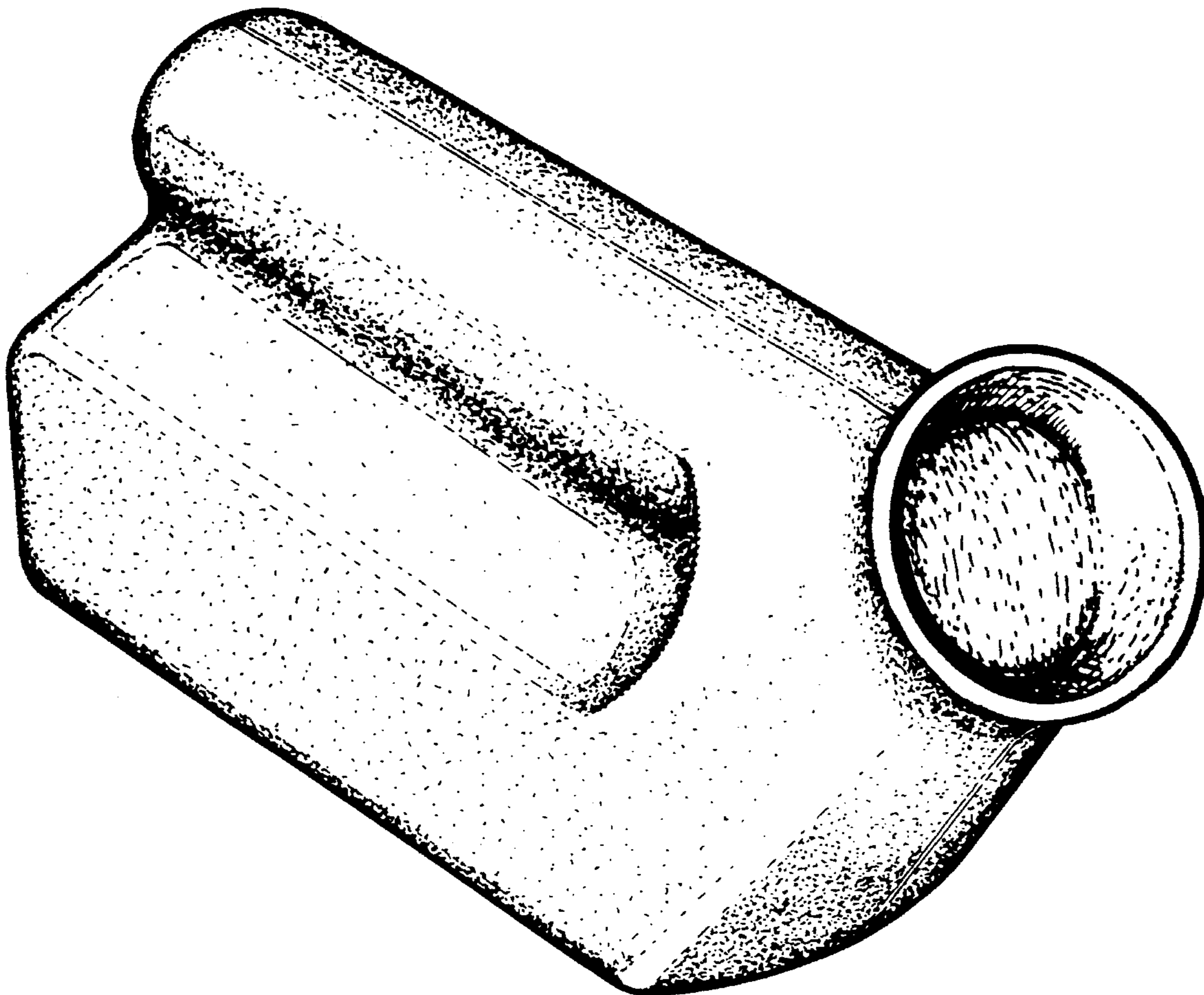
The ornamental design for a urinal, as shown and described.

DESCRIPTION

FIG. 1 is a perspective view from the front, one side and above; and,

FIG. 2 is a perspective view from the rear, the other side and below.

1 Claim, 1 Drawing Sheet



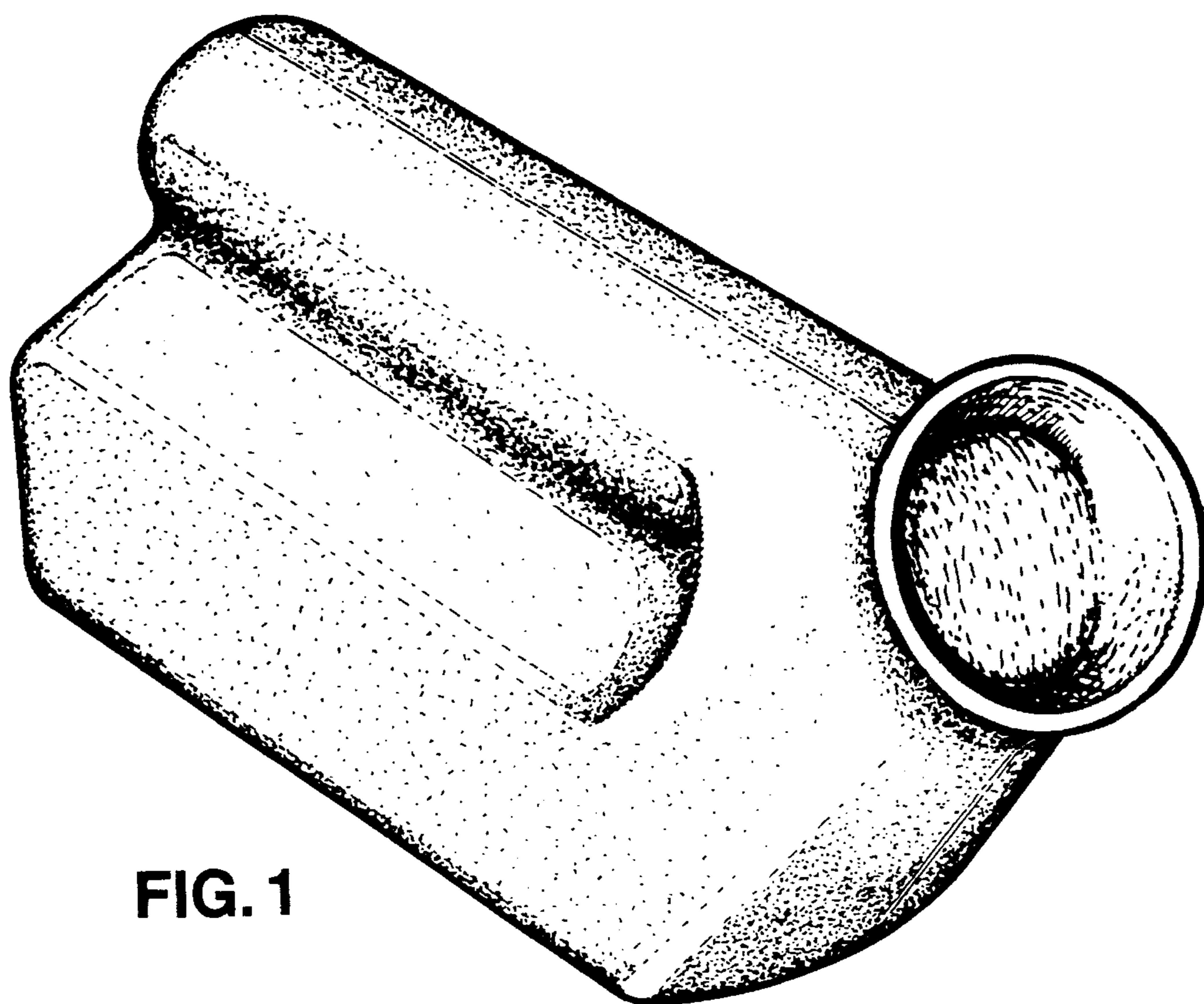


FIG. 1

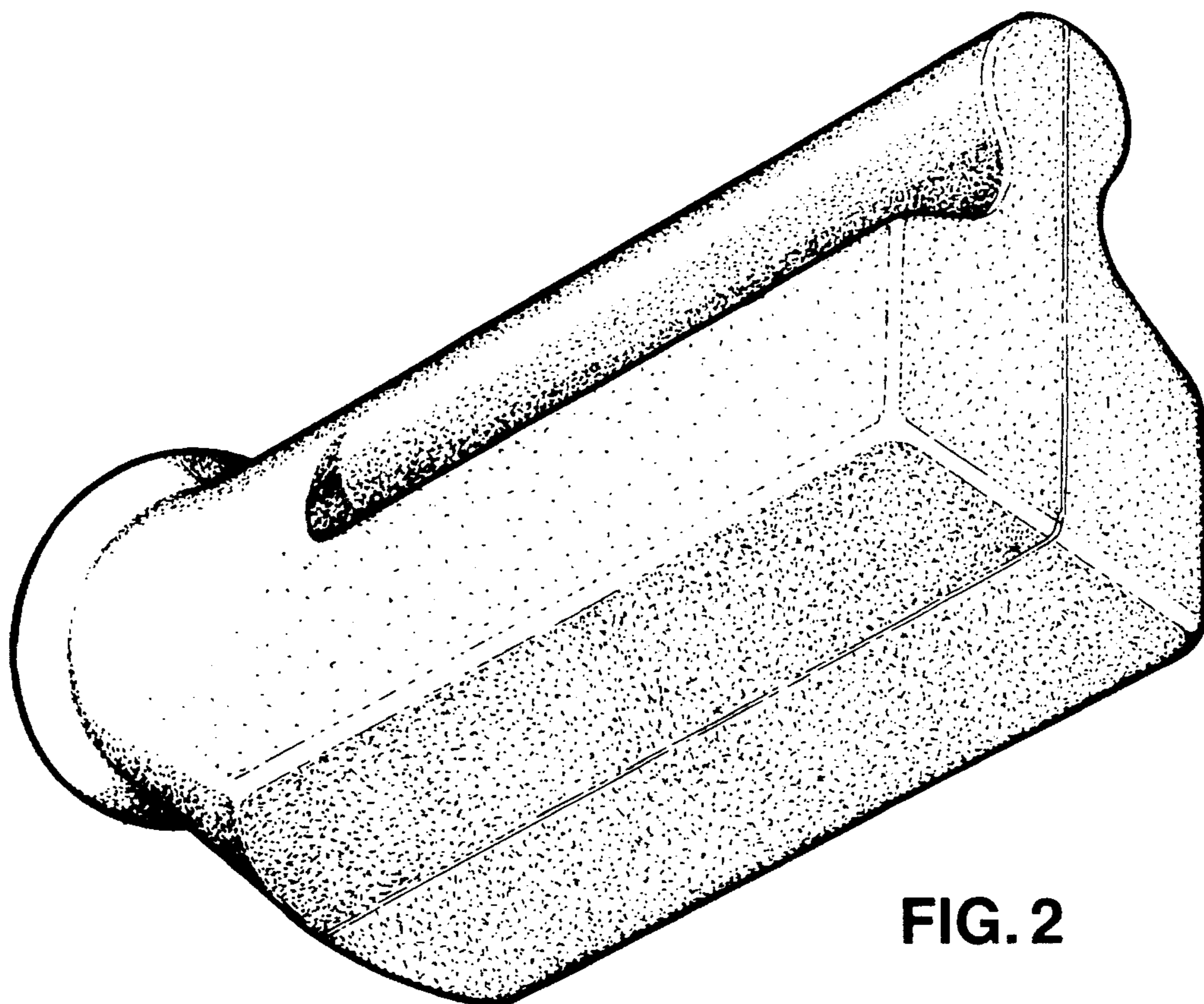


FIG. 2