



US00D371841S

United States Patent [19]

[11] **Patent Number: Des. 371,841**

Oliver et al.

[45] **Date of Patent: **Jul. 16, 1996**

[54] **DIVER'S MASK WITH OFFSET PURGE COVER**

OTHER PUBLICATIONS

[75] Inventors: **Bill N. Oliver**, Dana Point; **Peter Manno**, La Jolla, both of Calif.

Skin Diver Magazine Jun. 1995.

[73] Assignee: **SeaQuest, Inc.**, Carlsbad, Calif.

Primary Examiner—Louis S. Zarfes

Assistant Examiner—Frank Martinez

[**] Term: **14 Years**

Attorney, Agent, or Firm—George F. Bethel; Patience K. Bethel

[21] Appl. No.: **33,155**

[57] **CLAIM**

The ornamental design for a diver's mask with offset purge cover, as shown.

[22] Filed: **Jan. 5, 1995**

DESCRIPTION

[52] **U.S. Cl.** **D24/110.2; 2/440**

[58] **Field of Search** D24/110.1, 110.2, D24/110.3, 110.4, 110.5, 110.6; 128/200.29, 201.15; 2/428, 435, 436, 439, 440, 2.15

FIG. 1 shows a frontal perspective view of our diver's mask with offset purge cover;

FIG. 2 shows a front elevation view of the mask;

FIG. 3 shows a top plan view of the mask;

FIG. 4 shows a side elevation view of the mask looking from the right side of FIG. 1;

FIG. 5 shows a side elevation view of the mask looking from the left side of FIG. 1;

FIG. 6 shows an elevation view looking from the rear of FIG. 1; and,

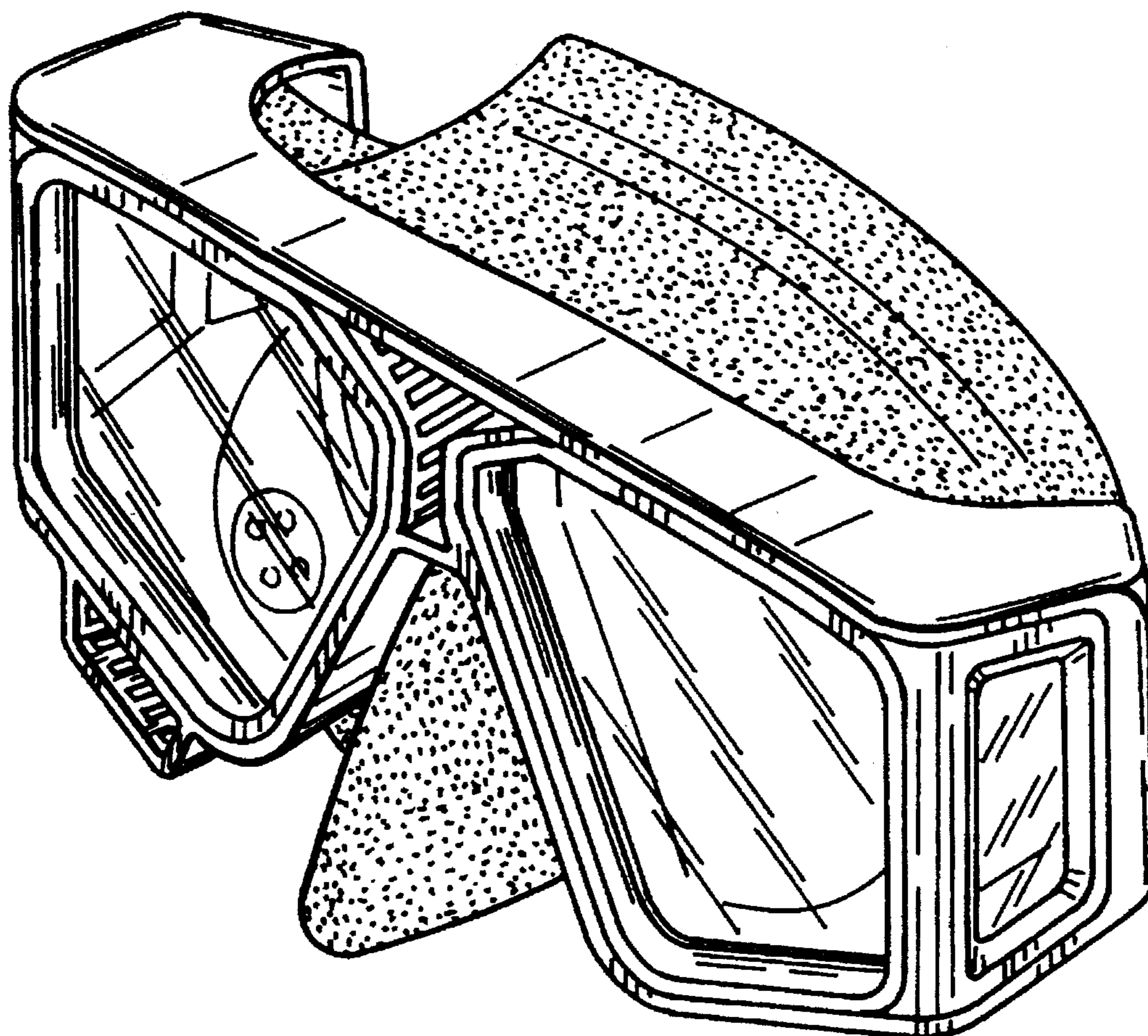
FIG. 7 shows a bottom view looking upwardly at the mask.

[56] **References Cited**

U.S. PATENT DOCUMENTS

D. 302,747	8/1989	Hattori	D24/110.2
D. 309,508	7/1990	Sugita	D24/110.2
D. 318,476	7/1991	Sato	D24/110.2
D. 324,589	3/1992	Dagnino	D24/110.2
D. 325,106	3/1992	Sugita	D24/110.2
D. 335,365	5/1993	Sato	D24/110.2

1 Claim, 2 Drawing Sheets



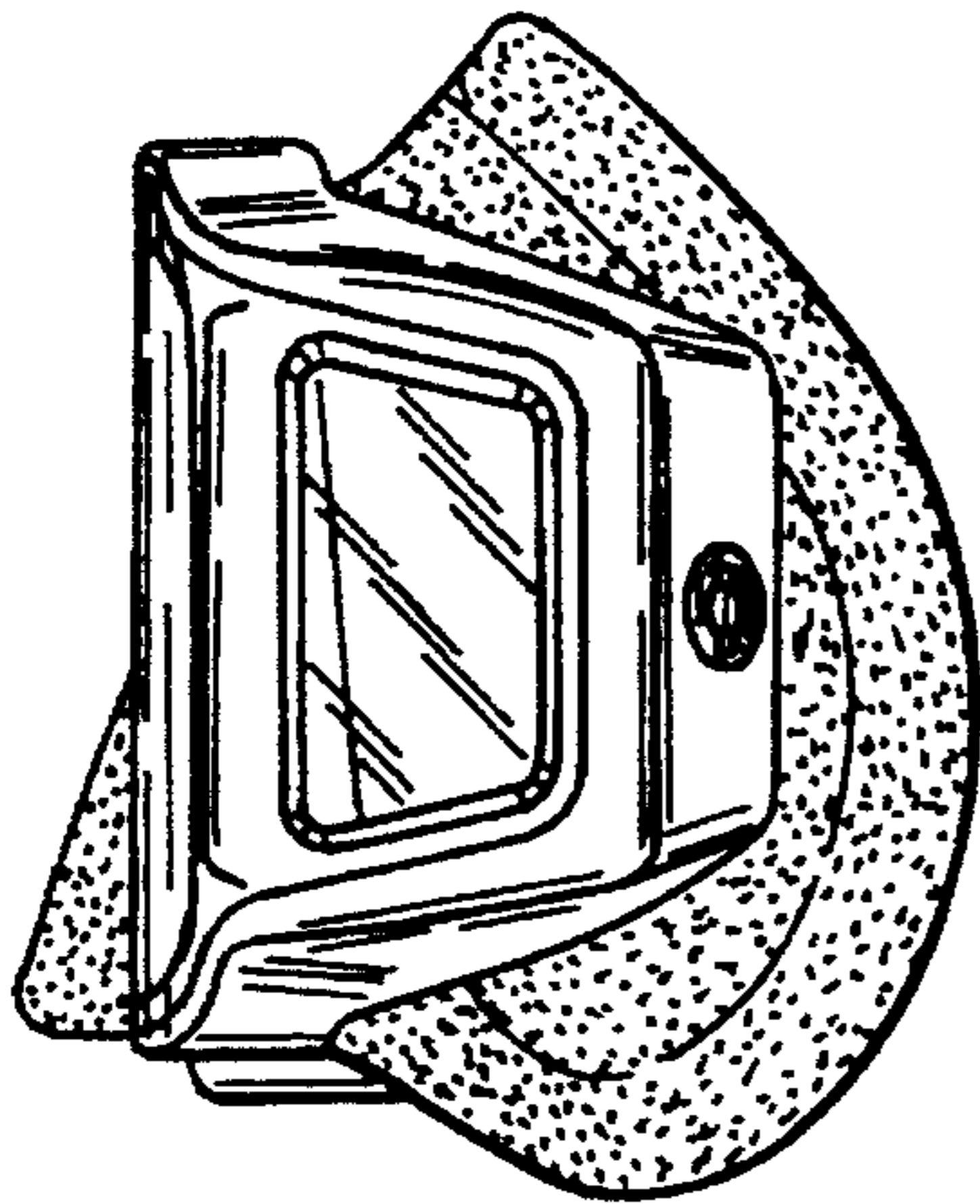
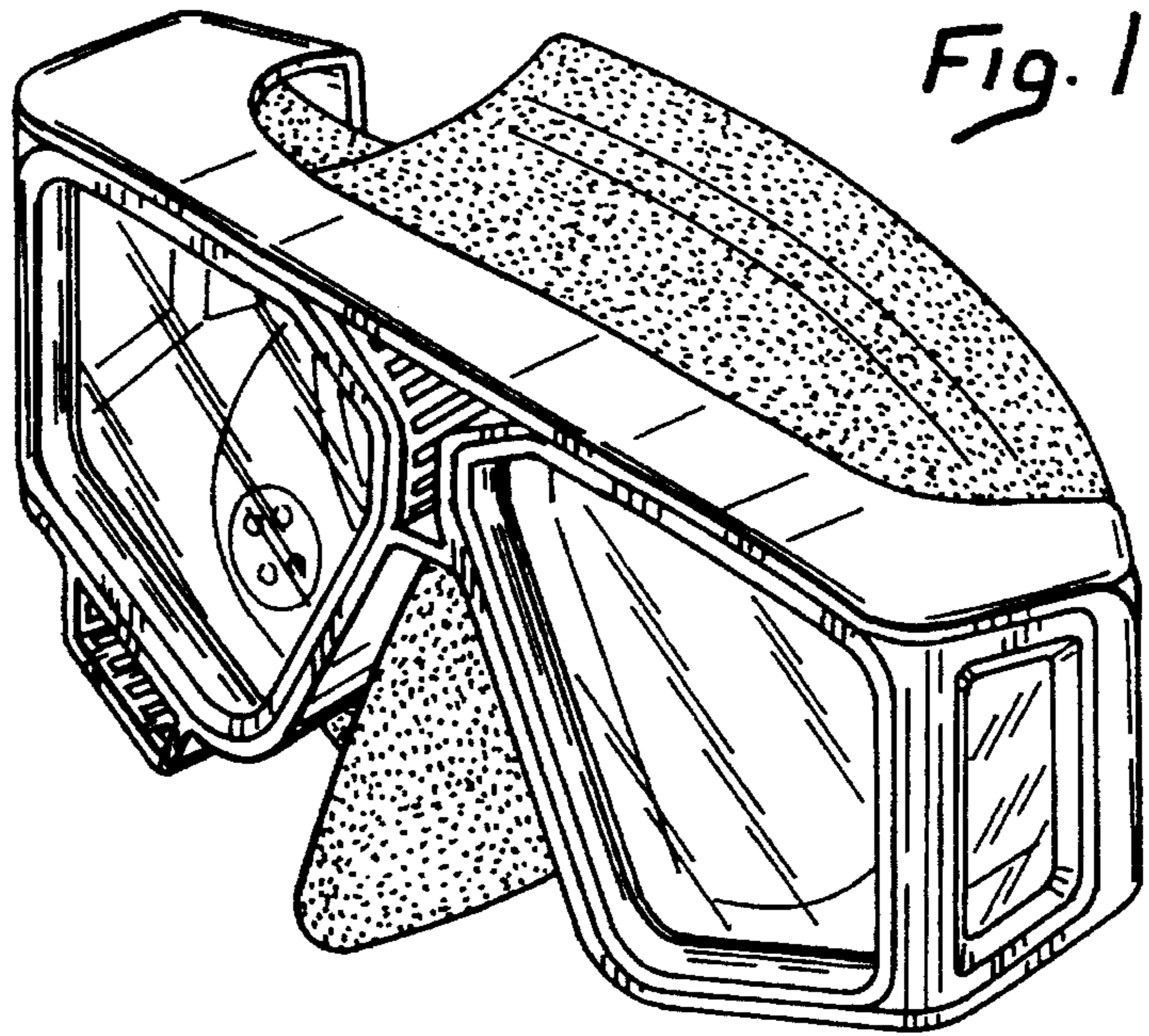
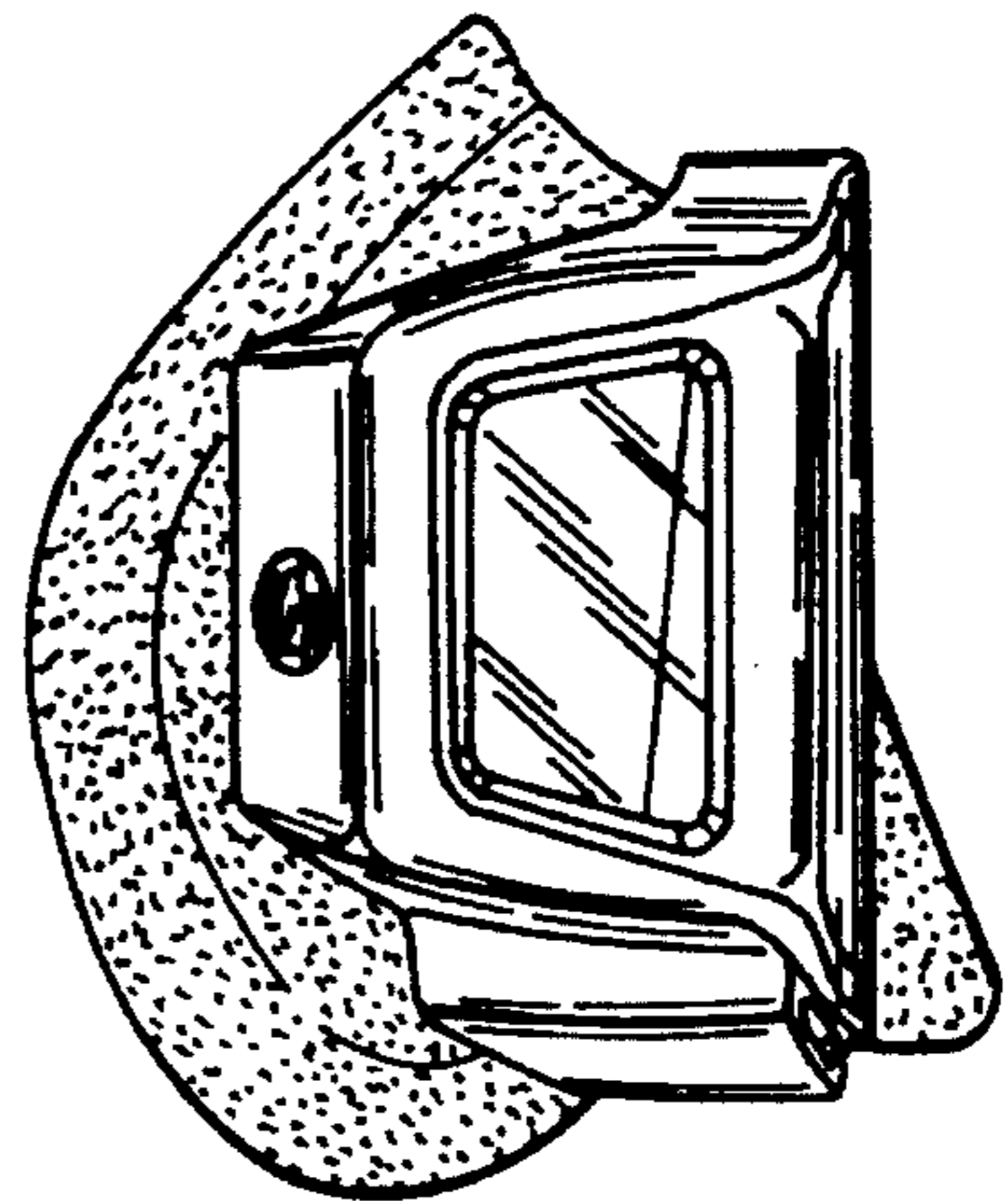


Fig. 5



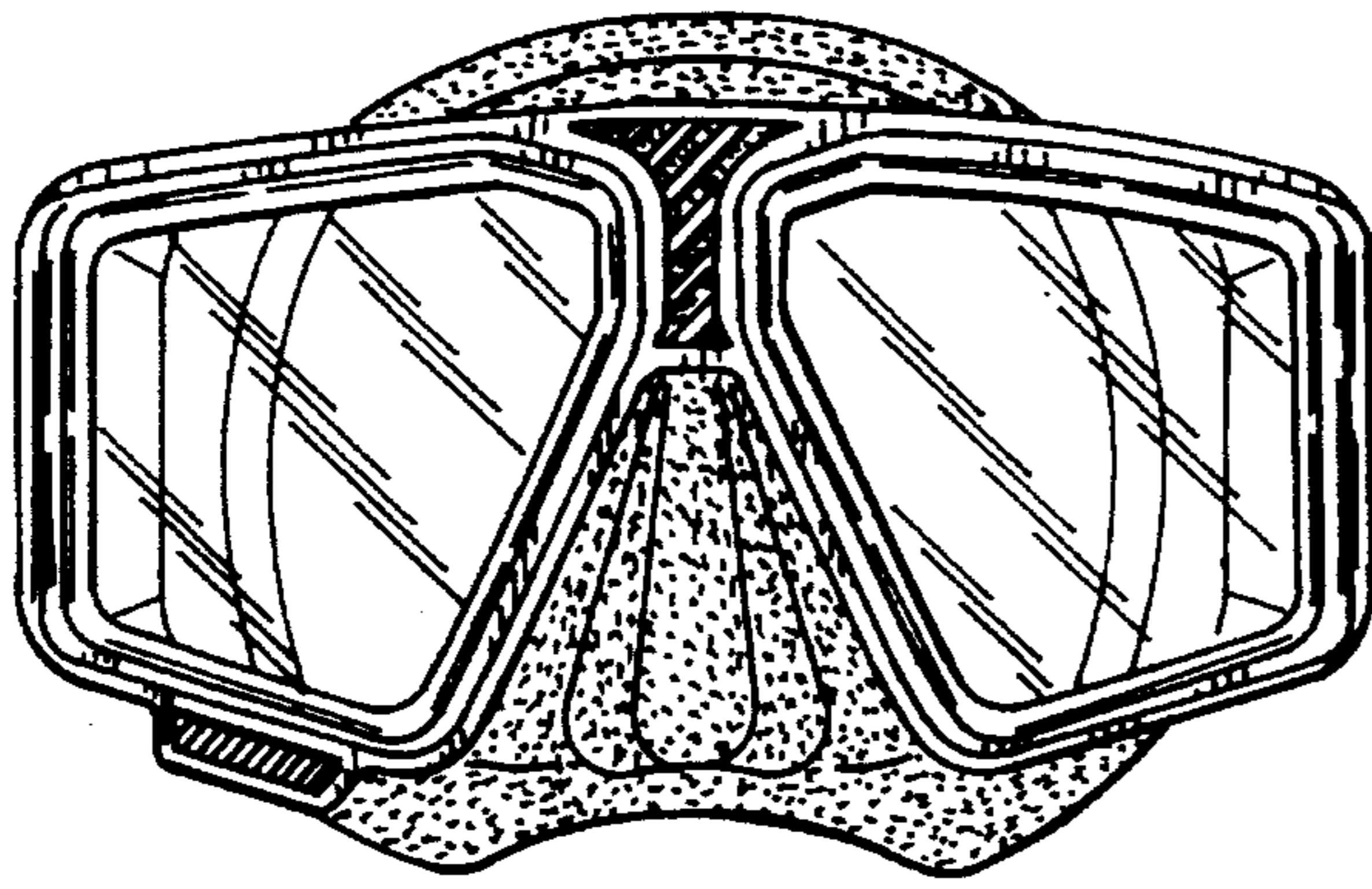


Fig. 2

Fig. 3

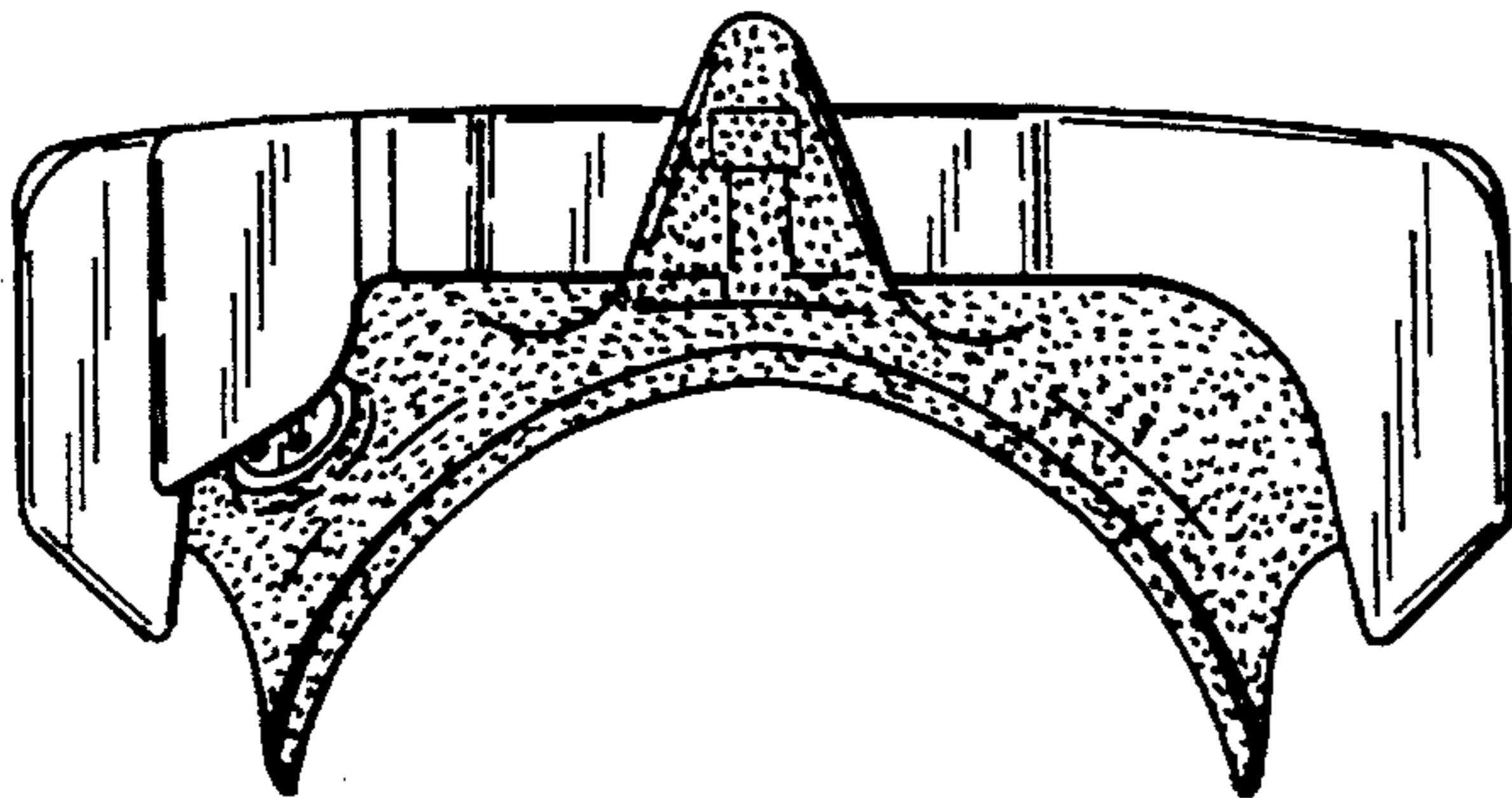
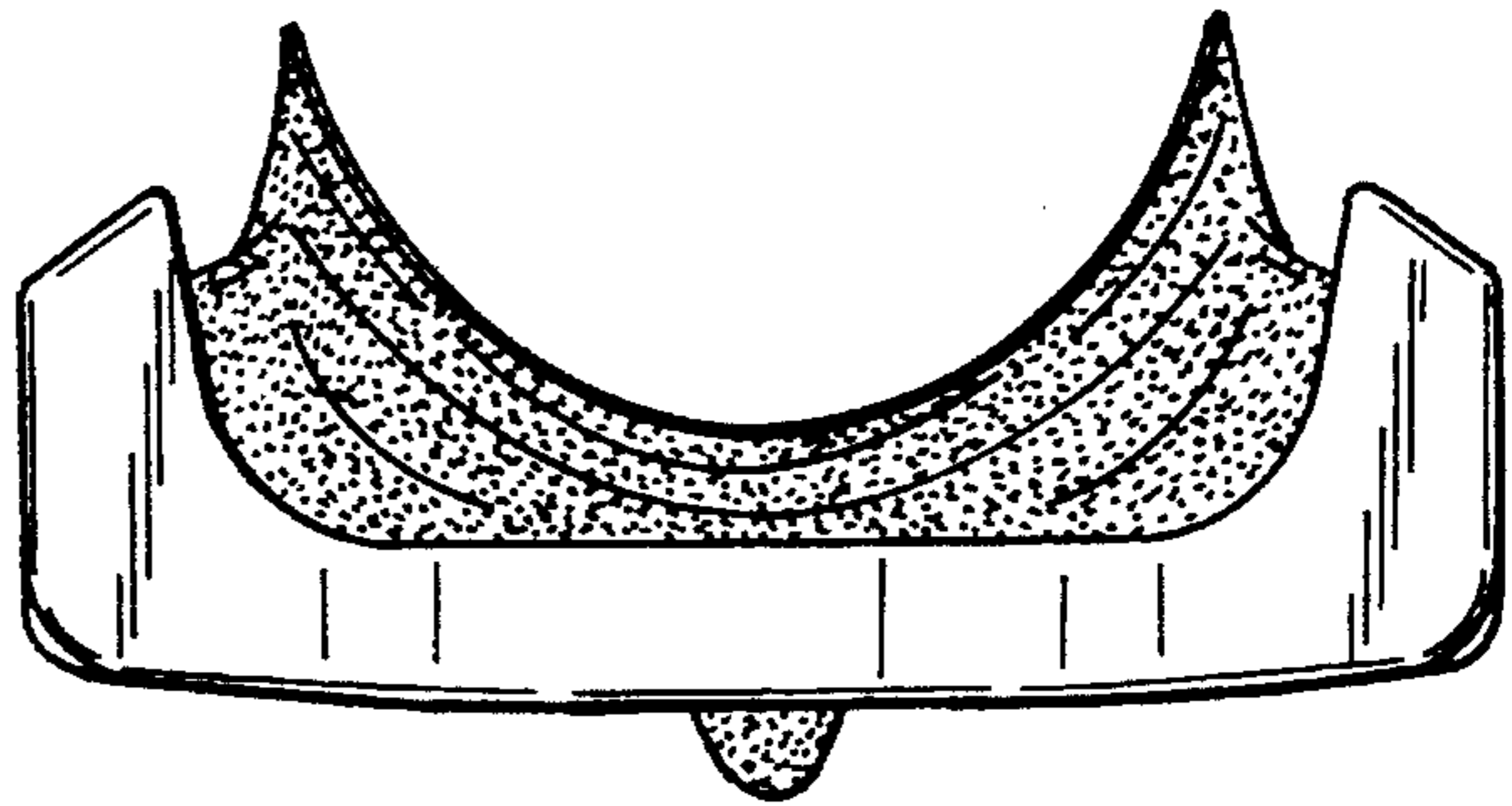


Fig. 7

Fig. 6

