



US00D371837S

United States Patent [19]

[11] Patent Number: **Des. 371,837**

Coble

[45] Date of Patent: ****Jul. 16, 1996**

[54] **CAST REFRACTORY CORNER SEGMENT OF AN ANNEALING FURNACE BASE**

4,653,171	3/1987	Coble	29/455
4,755,236	7/1988	Coble	148/13
5,048,802	9/1991	Coble	266/263
5,308,046	5/1994	Coble	266/263
5,335,897	8/1994	Coble	266/286

[76] Inventor: **Gary L. Coble**, R.D. #2, Box 214, DuBois, Pa. 15801

[**] Term: **14 Years**

FOREIGN PATENT DOCUMENTS

1131246 12/1956 Germany 266/262

[21] Appl. No.: **32,592**

Primary Examiner—Lisa P. Lichtenstein
Attorney, Agent, or Firm—David A. Burge

[22] Filed: **Dec. 21, 1994**

[52] U.S. Cl. **D23/386**; D23/329

[57] CLAIM

[58] **Field of Search** D23/386, 329; D25/113, 199, 116, 154; 266/280, 286, 282; 432/254.2, 258

The ornamental design for a cast refractory corner segment of an annealing furnace base, as shown.

[56] References Cited

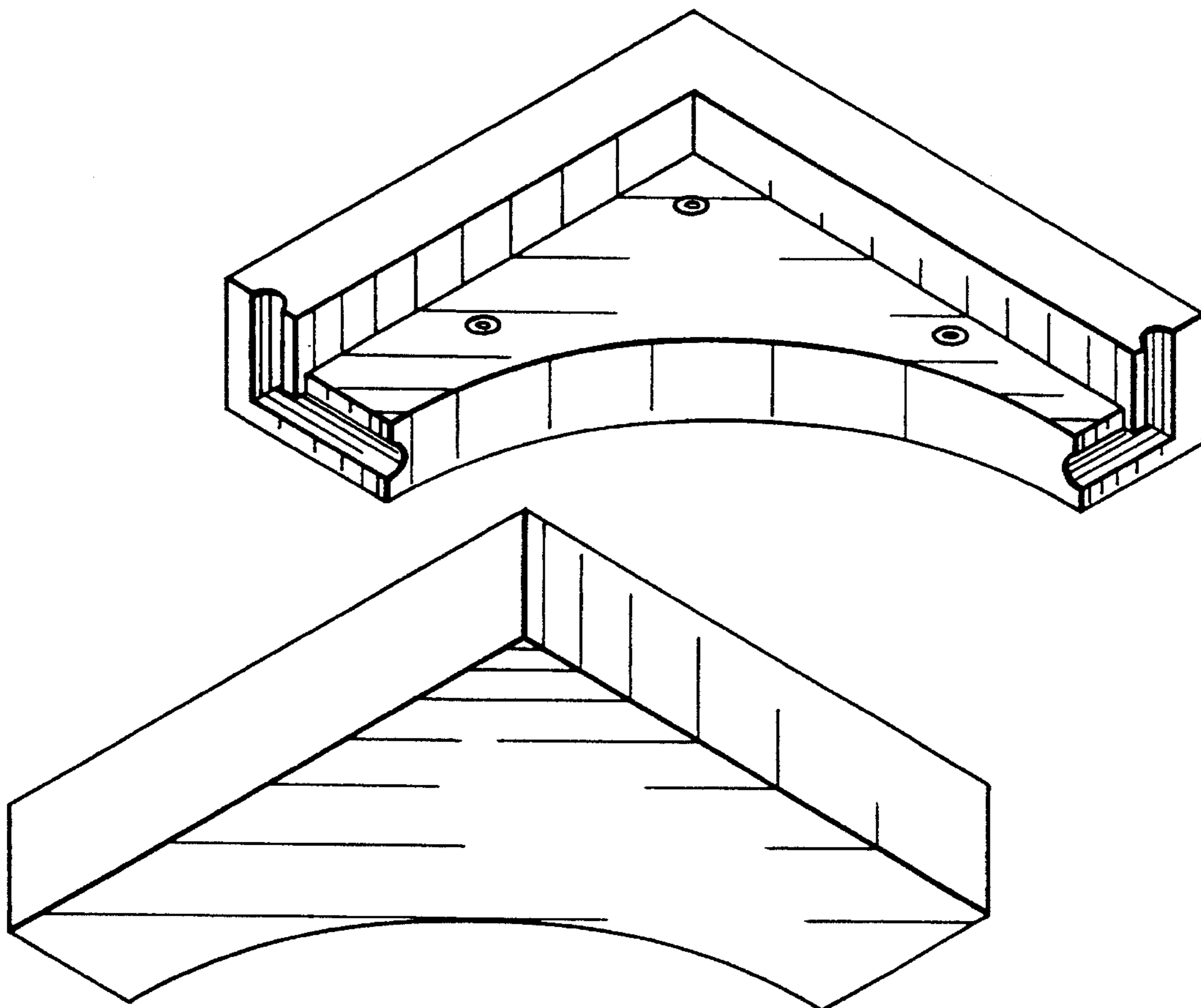
DESCRIPTION

U.S. PATENT DOCUMENTS

D. 344,350	2/1994	De Pascale et al.	52/596
1,829,320	10/1931	White	
2,998,236	8/1961	Cramer et al.	263/40
3,039,754	6/1962	Jones	263/47
3,081,074	3/1963	Blackman et al.	263/47
3,149,827	9/1964	Whitten	263/47
3,693,955	9/1972	Wald et al.	266/5
4,011,683	3/1977	De Sousa	D25/113
4,294,438	10/1981	Nystrom et al.	266/280
4,516,758	5/1985	Coble	266/263
4,611,791	9/1986	Coble	266/263
4,647,022	3/1987	Coble	266/282

FIG. 1 is a perspective view of one form of a cast refractory corner segment of an annealing furnace base embodying my design, with the view showing principally top, front and left portions thereof;
FIG. 2 is a perspective view thereof showing principally bottom, rear and right portions thereof;
FIG. 3 is a rear elevational view thereof;
FIG. 4 is a top plan view thereof;
FIG. 5 is a front elevational view thereof; and,
FIGS. 6 and 7 are left and right elevational views thereof, respectively.

1 Claim, 1 Drawing Sheet



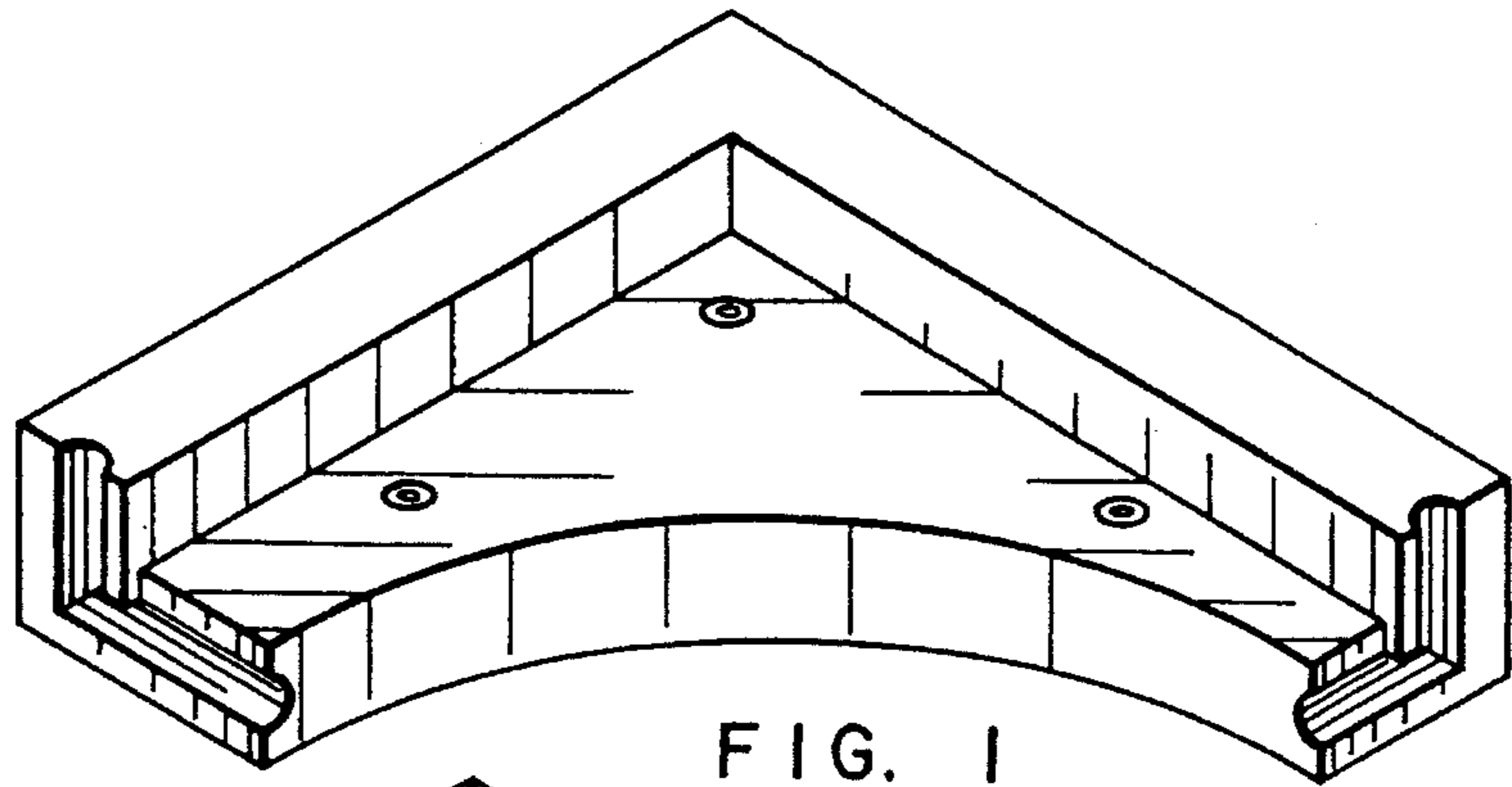


FIG. 1

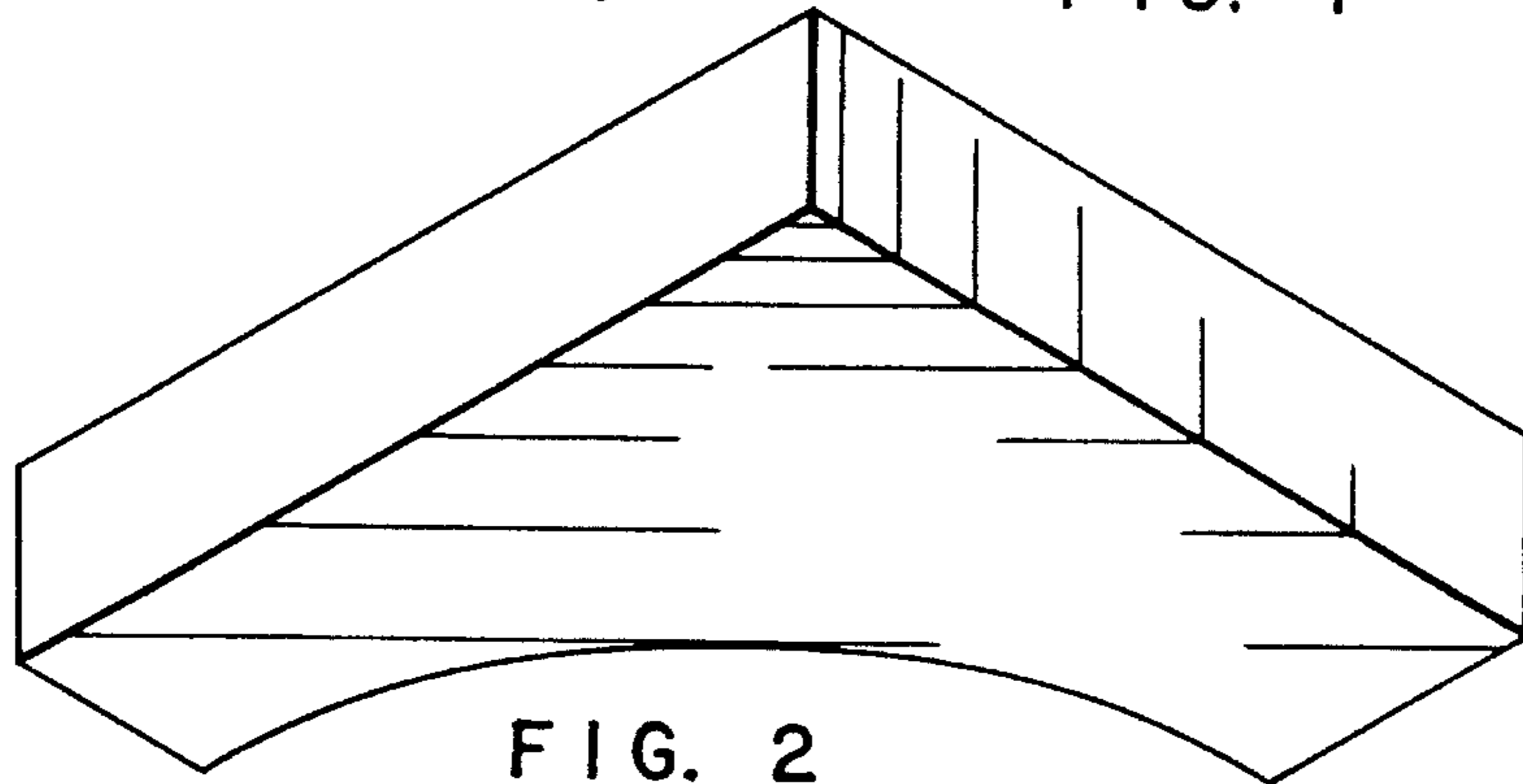


FIG. 2

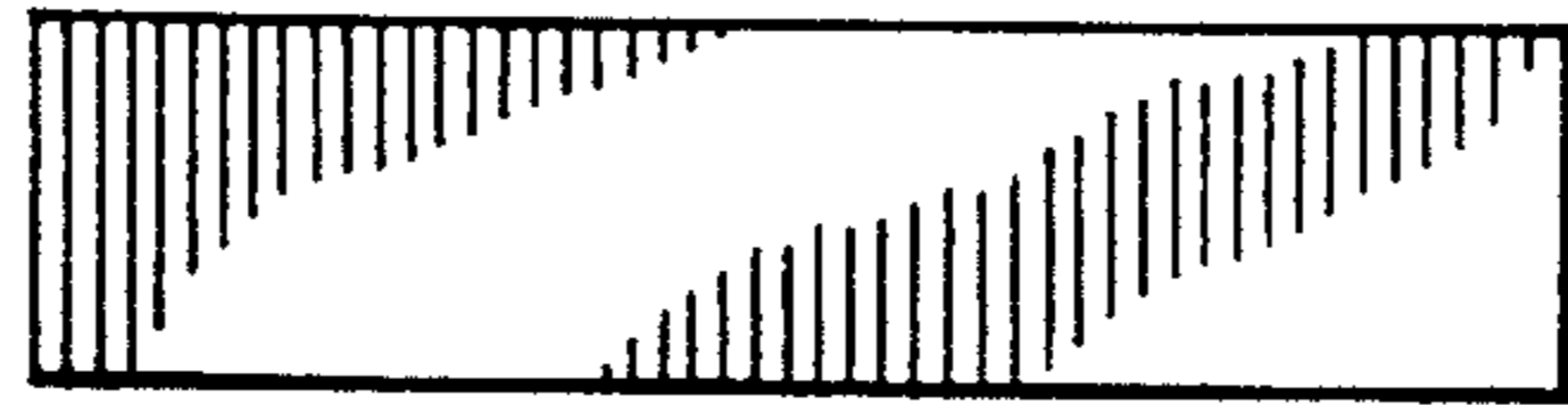


FIG. 3

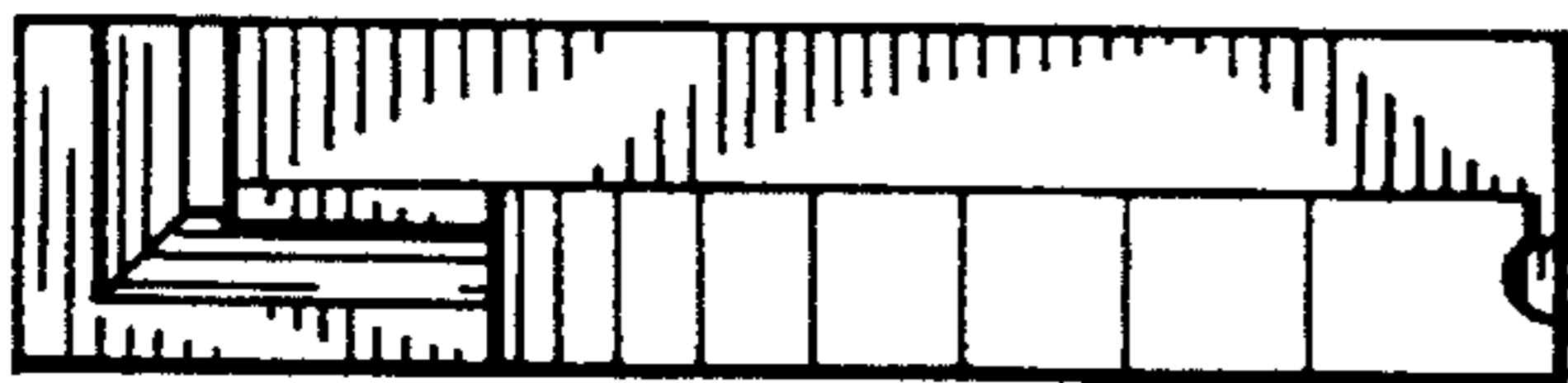


FIG. 6

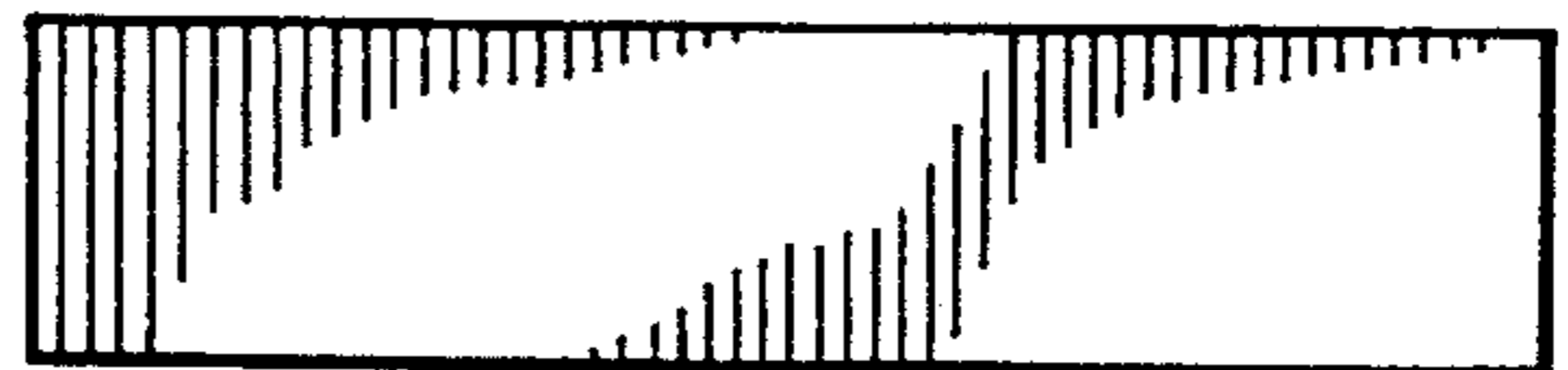


FIG. 7

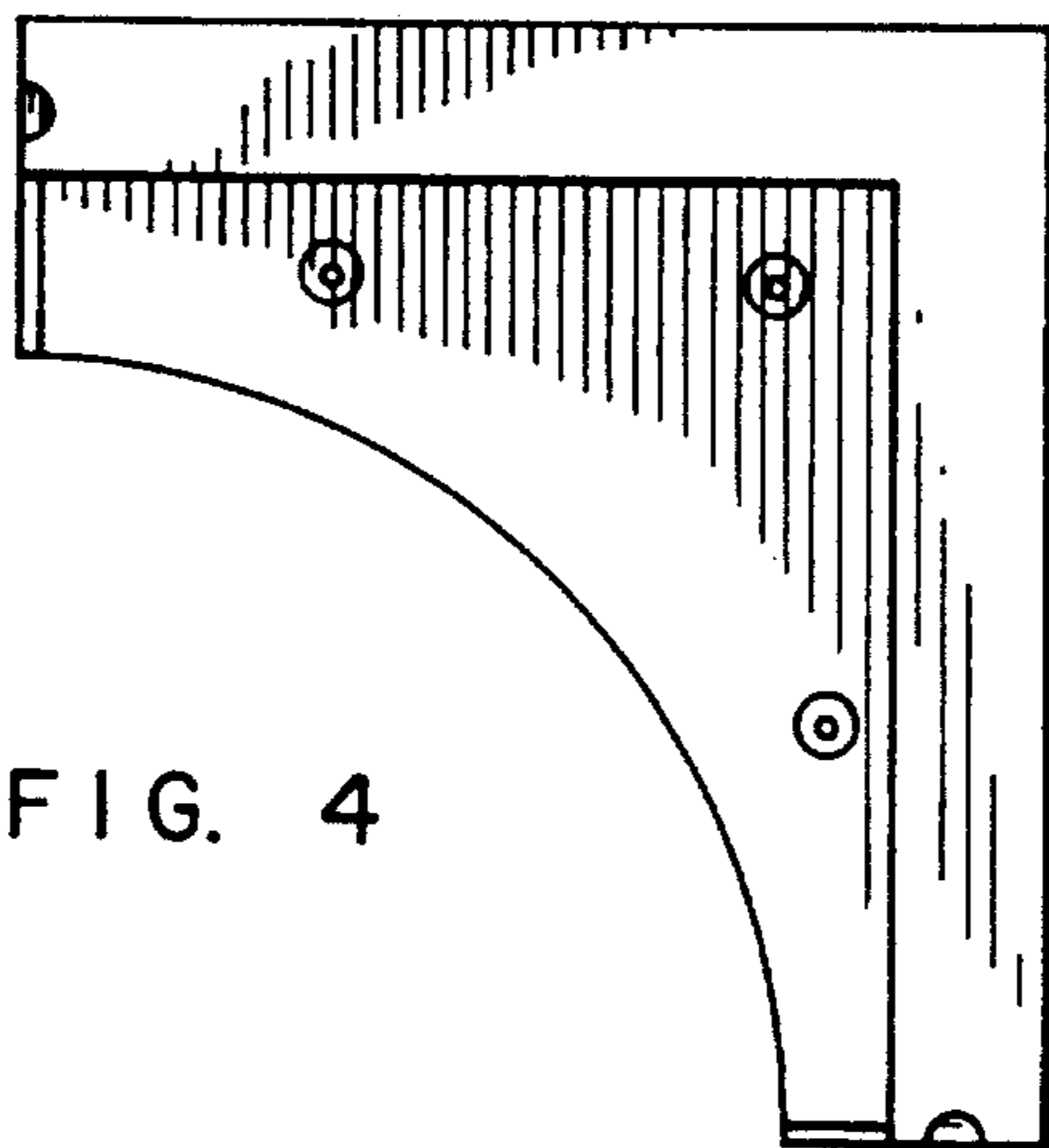


FIG. 4

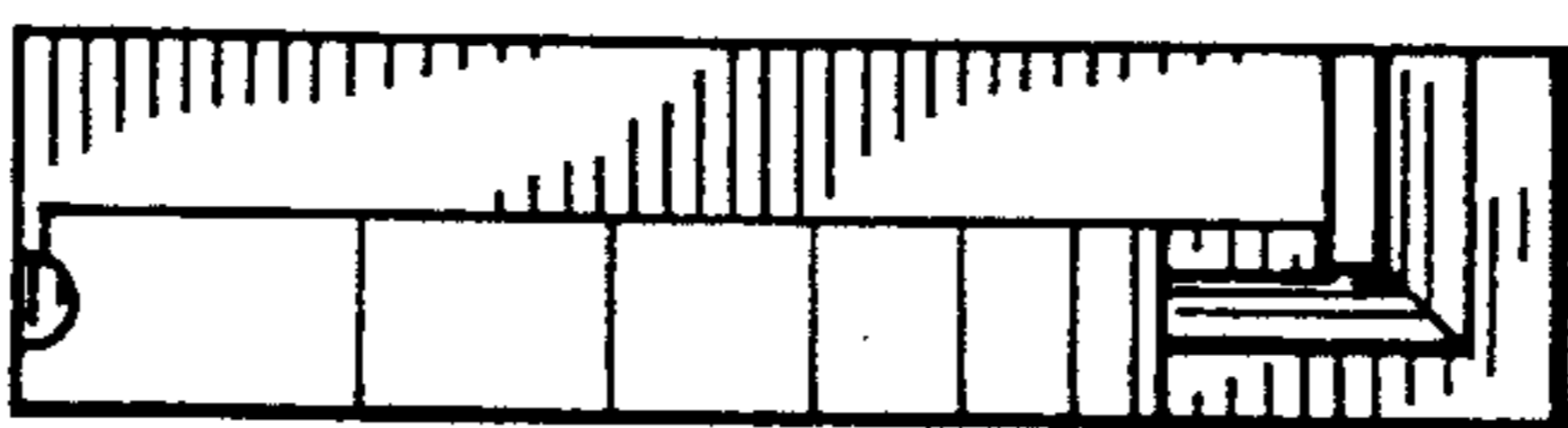


FIG. 5